

PARTS CATALOG

Excavator
R55-9

HYUNDAI

Use the bookmarks for navigation inside the Parts book

Robex R55-9 CONTENTS

Page	Contents	Serial_No	Revision_No
1	ENGINE SYSTEM		
1010	ENGINE MOUNTING		2010. 6.30 REV.10F
1020	AIR INTAKE SYSTEM		2010. 6.30 REV.10F
1030	EXHAUST SYSTEM		
1040	COOLING SYSTEM		2010. 6.30 REV.10F
1045	COOLING SYSTEM(BLOWER)		2010. 6.30 REV.10F
1050	RADIATOR TOTAL ASSY		
1055	RADIATOR TOTAL ASSY(BLOWER, -#1140)	- #1140	2010. 6.30 REV.10F
1060	FUEL SYSTEM		
1065	FUEL SYSTEM(BLOWER)		
1070	FUEL TANK		2010. 7.31 REV.10G
1100	AIR CON & HEATER MOUNTING		2010. 9. 7 REV.10J
1110	AIR CON & HEATER UNIT		
2	ELECTRIC SYSTEM		
2010	RH ELECTRIC		2010. 7.31 REV.10G
2020	LH ELECTRIC		2010. 6.30 REV.10F
2030	BOOM ELECTRIC		
2040	CABIN ELECTRIC 1 (CABIN)		
2050	CABIN ELECTRIC 2 (ROOM)		
2060	CABIN ELECTRIC 3 (BOTTOM)		
2070	CLUSTER		
2080	FUEL FILLER PUMP		
3	HYDRAULIC SYSTEM		
3010	PUMP MOUNTING		
3020	HYDRAULIC TANK		
3030	MCV AND RCV PEDAL INSTALL		
3040	UPPER HYDRAULIC PIPING 1(BOOM SWING)		
3045	UPPER HYDRAULIC PIPING 1		
3050	UPPER HYDRAULIC PIPING 2(BOOM SWING)		
3055	UPPER HYDRAULIC PIPING 2		
3060	UPPER HYDRAULIC PIPING 3(BOOM SWING)		
3065	UPPER HYDRAULIC PIPING 3		
3070	UPPER HYDRAULIC PIPING 4(BOOM SWING)		2010. 8.31 REV. 10H
3075	UPPER HYDRAULIC PIPING 4		2010. 8.31 REV.10H
3080	UPPER HYDRAULIC PIPING 5(BOOM SWING)		
3085	UPPER HYDRAULIC PIPING 5		
3100	PILOT HYD PIPING 1 (RCV TRAVEL)		
3110	PILOT HYD PIPING 2 (RCV DOZER)		
3120	PILOT HYD PIPING 3 (SOLENOID)		

3130	PILOT HYD PIPING 4 (TANK)		
3140	PILOT HYD PIPING 5 (WOODGRAB & GRAPPLE)		
3150	PILOT HYD PIPING 6 (RCV/DOZER LEVER)		2010. 6.30 REV.10F
3160	PILOT HYD PIPING 7 (RCV LEVER)		
3170	PILOT HYD PIPING 8 (SELECTOR VALVE)		
3180	PILOT HYD PIPING 9 (PATTERN VALVE)		
3200	LOWER HYD PIPING		
3300	ATTACH HYDRAULIC PIPING		2010. 8.31 REV.10H
3400	QUICK CLAMP HYD PIPING		2010. 8.31 REV.10H
3500	WOOD GRAB HYD PIPING 1		
3510	WOOD GRAB HYD PIPING 2		2010. 8.31 REV.10H
3550	WOOD GRAB HYD PIPING(WITH RCV LEVER)		2010. 7.31 REV.10G
3600	DOUBLE ACTING HYD PIPING		2010. 8.31 REV.10H
4	HYDRAULIC COMPONENT		
4010	MAIN PUMP(1/4)		
4020	MAIN PUMP(2/4)		
4030	MAIN PUMP(3/4, GEAR PUMP)		
4040	MAIN PUMP(4/4, GEAR PUMP)		
4110	MAIN CONTROL VALVE(1/4)		2010. 8.31 REV.10H
4120	MAIN CONTROL VALVE(2/4)		2010. 8.31 REV.10H
4130	MAIN CONTROL VALVE(3/4)		
4140	MAIN CONTROL VALVE(4/4)		
4210	SWING MOTOR		
4220	SWING REDUCTION GEAR		
4230	TRAVEL MOTOR(1/3, JMV-43)		
4240	TRAVEL MOTOR(2/3, JMV-43)		
4250	TRAVEL MOTOR(3/3, JMV-43)		
4260	TRAVEL MOTOR(1/4, TM07VC)		
4270	TRAVEL MOTOR(2/4, TM07VC)		
4280	TRAVEL MOTOR(3/4, TM07VC)		
4290	TRAVEL MOTOR(4/4, TM07VC)		
4310	REMOTE CONTROL LEVER		
4320	TURNING JOINT		
4330	REMOTE CONTROL PEDAL(TRAVEL)		
4340	REMOTE CONTROL PEDAL(WOOD GRAB)		
4360	3 SOLENOID VALVE(PILOT)		
4410	BOOM CYLINDER		2010. 6.30 REV.10F
4420	ARM CYLINDER		2010. 6.30 REV.10F
4430	BUCKET CYLINDER		2010. 5.31 REV.10E
4440	DOZER BLADE CYLINDER(W/O VALVE)		
4441	DOZER BLADE CYLINDER(WITH VALVE)		2010. 5.31 REV.10E

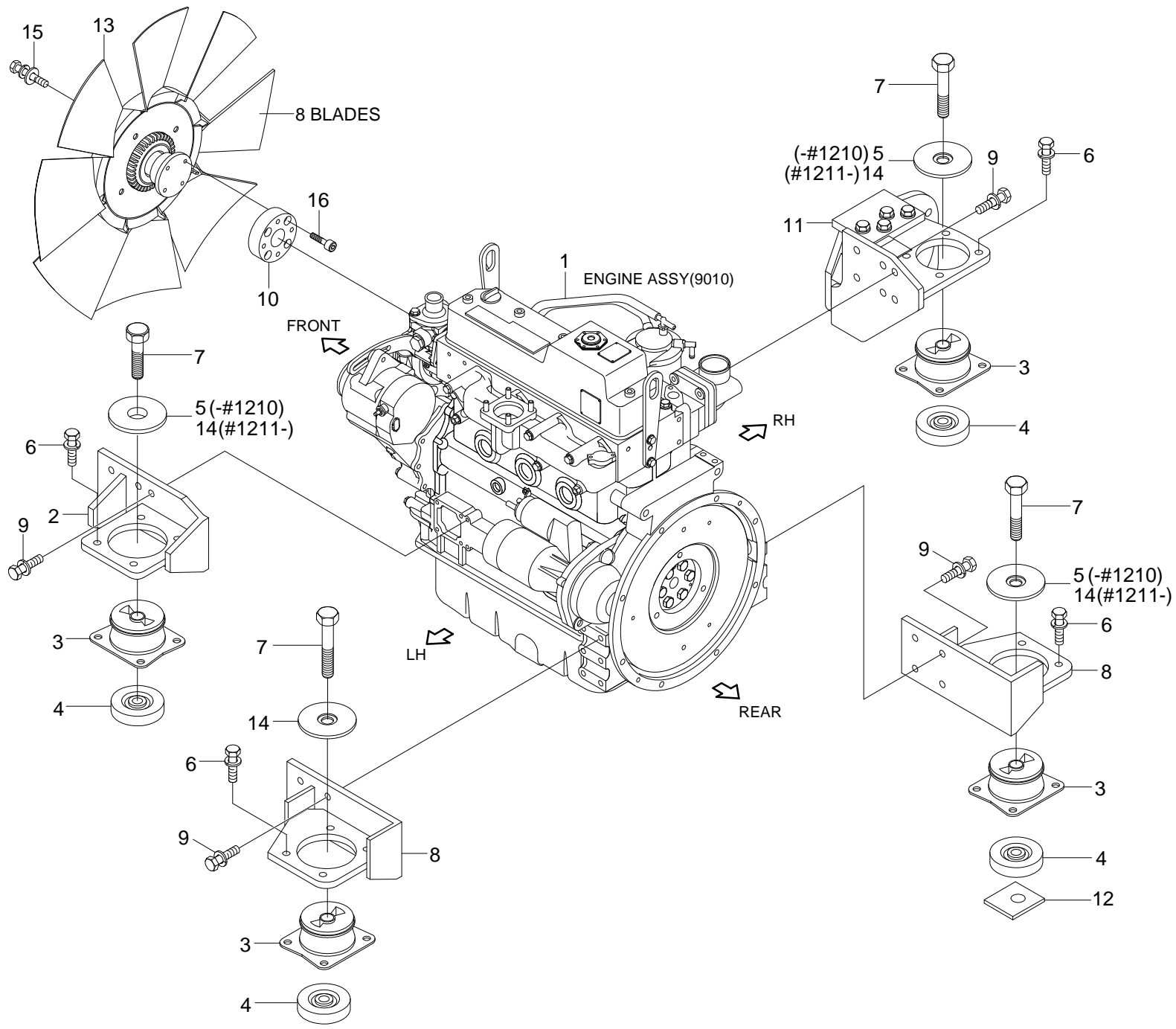
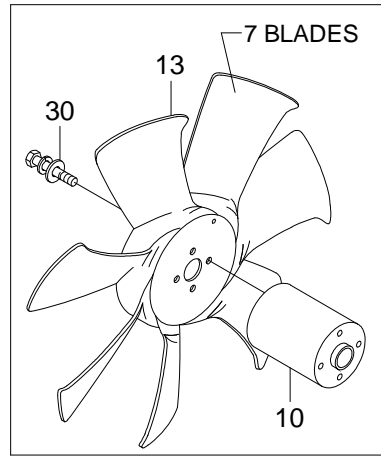
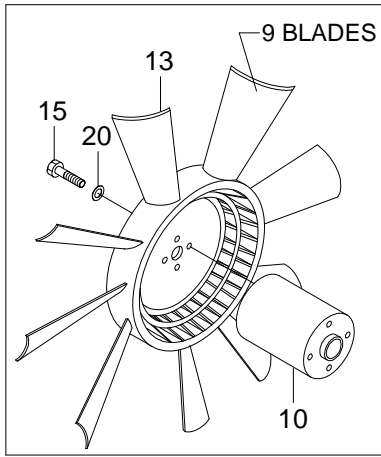
4450	BOOM SWING CYLINDER		2010. 6.30 REV.10F
4500	QUICK CLAMP ASSY(HOOK TYPE 1)		
4510	QUICK CLAMP ASSY(HOOK TYPE 2)		
4520	QUICK CLAMP ASSY(CLOSED TYPE 1)		
4530	QUICK CLAMP ASSY(CLOSED TYPE 2)		
5	UNDERCARRIAGE		
5010	UNDERCARRIAGE		2010. 7.31 REV.10G
5020	LOWER ROLLER		2010. 7.31 REV.10G
5030	UPPER ROLLER	- #1000	2010. 7.31 REV.10G
5040	IDLER & T/CYLINDER ASSY		
5050	TRACK CHAIN		2010. 1. 4 REV.10A
5110	UNDERCARRIAGE(RUBBER TRACK)		2010. 7.31 REV.10G
5120	LOWER ROLLER(RUBBER TRACK)		2010. 7.31 REV.10G
5130	IDLER & T/CYL ASSY(RUBBER TRACK)		
6	STRUCTURE		
6010	CABIN MOUNTING		
6020	CABIN ASSY(1/5)		
6030	CABIN ASSY(2/5)		2010. 6.30 REV.10F
6040	CABIN ASSY(3/5)		
6050	CABIN ASSY(4/5, SIDE DOOR ASSY)		
6060	CABIN ASSY(5/5, SLIDING DOOR ASSY)		
6100	CABIN INTERIOR 1		
6110	CABIN INTERIOR 2		
6120	CABIN INTERIOR 3		
6130	BOTTOM PLATE		
6140	SEAT BASE ASSY		2009.12.16 REV.9M
6150	CONSOLE FRAME ASSY(LH)		
6160	SEAT(STD)		
6170	SEAT(OPT, LEATHER, #1008-)	#1008 -	2009. 12.16 REV.9M
6200	COWLING		2010. 9.30 REV.10J
6210	ENGINE HOOD SUB ASSY		2010. 4.30 REV.10D
6220	BATTERY BOX ASSY		2010. 9.30 REV.10J
6300	UNDER COVER		2010. 7.31 REV.10G
6305	UNDER COVER(BOOM SWING)		2010. 7.31 REV.10G
6310	GROMMET GROUP		
6315	GROMMET GROUP(BOOM SWING)		
6320	UPPER FRAME & COUNTERWEIGHT		2010. 4.30 REV.10D
6325	UPPER FRAME & COUNTERWEIGHT(B/SWING)		2010. 3.31 REV.10C
6330	SWING RING GREASE LUB SYSTEM		2010. 7.31 REV.10G
6400	LOWER FRAME		
6410	DOZER BLADE		2010. 5.31 REV.10E

6420	BOOM SWING SYSTEM		
7	ATTACHMENT		
7010	BOOM MOUNTING		
7020	BOOM(3.0M)		2010. 6.30 REV.10F
7100	ARM(1.6M, STD)		2010. 6.30 REV.10F
7120	ARM(1.9M, LONG)		2010. 6.30 REV.10F
7200	BUCKET(0.18M3 SAE HEAPED, STD)		2010. 5.31 REV.10E
7210	BUCKET(0.07M3 SAE HEAPED)		
7300	BUCKET CONTROL GROUP		2010. 4.30 REV.10D
8	OTHERS		
8010	TOOLS		
8100	DECALS		2010. 5.31 REV.10E
9	ENGINE BASE		
9010	CYLINDER BLOCK		
9020	GEAR HOUSING		
9030	FLYWHEEL HOUSING & OIL SUMP		
9040	CYLINDER HEAD & BONNET		
9050	SUCTION MANIFOLD		
9060	EXHAUST MANIFOLD		
9070	CAMSHAFT & DRIVING GEAR		
9080	CRANKSHAFT & PISTON		
9090	LUB OIL SYSTEM		
9100	COOLING WATER SYSTEM		
9110	FUEL INJECTION PUMP		
9120	GOVERNOR		
9130	FUEL INJECTION VALVE		
9140	FUEL LINE		
9150	STARTING MOTOR		
9160	GENERATOR		
9170	ELECTRICAL PARTS		
9180	GASKET SET		

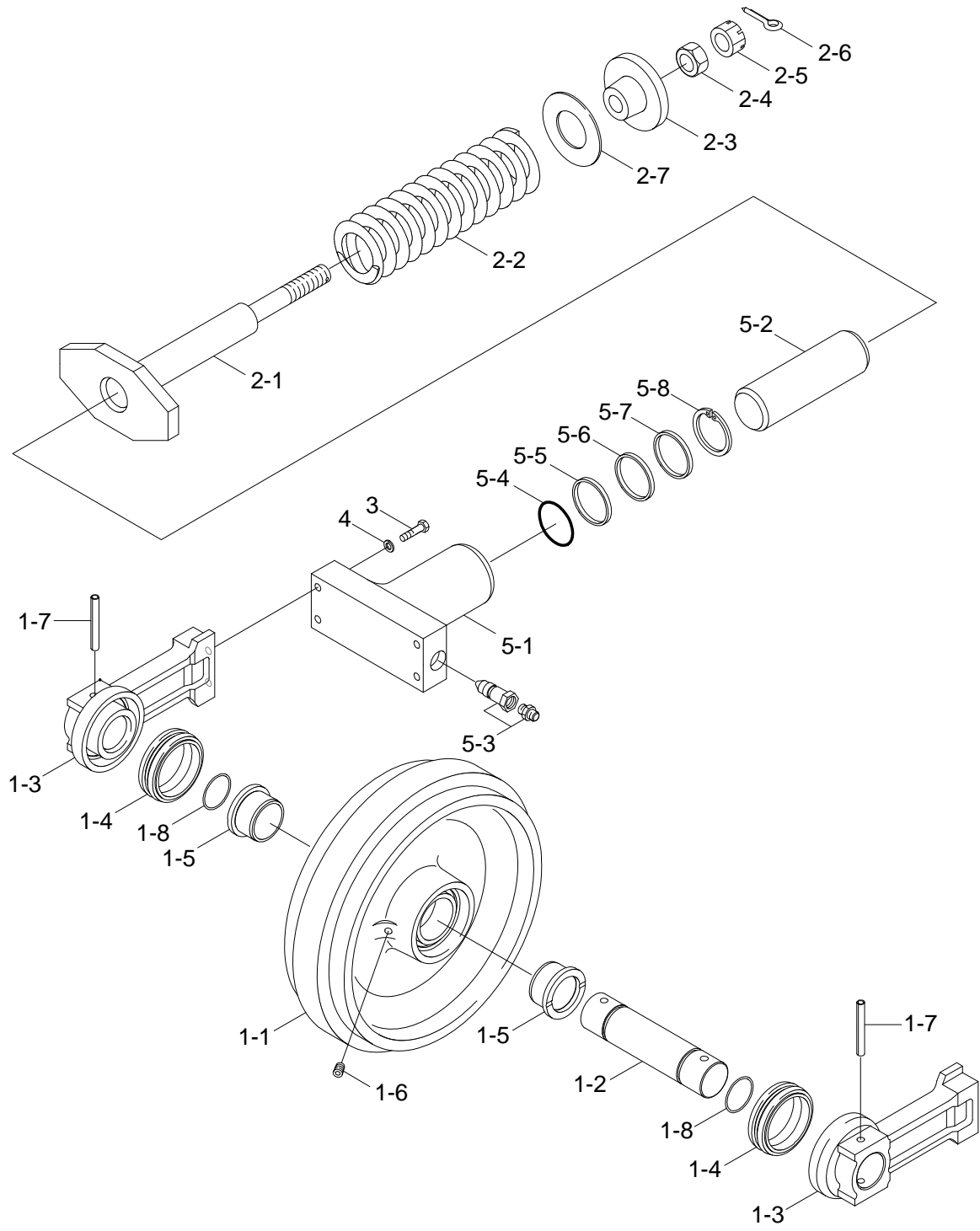
ENGINE MOUNTING

OPTION(TROPICAL REGION)

OPTION(BLOWER)



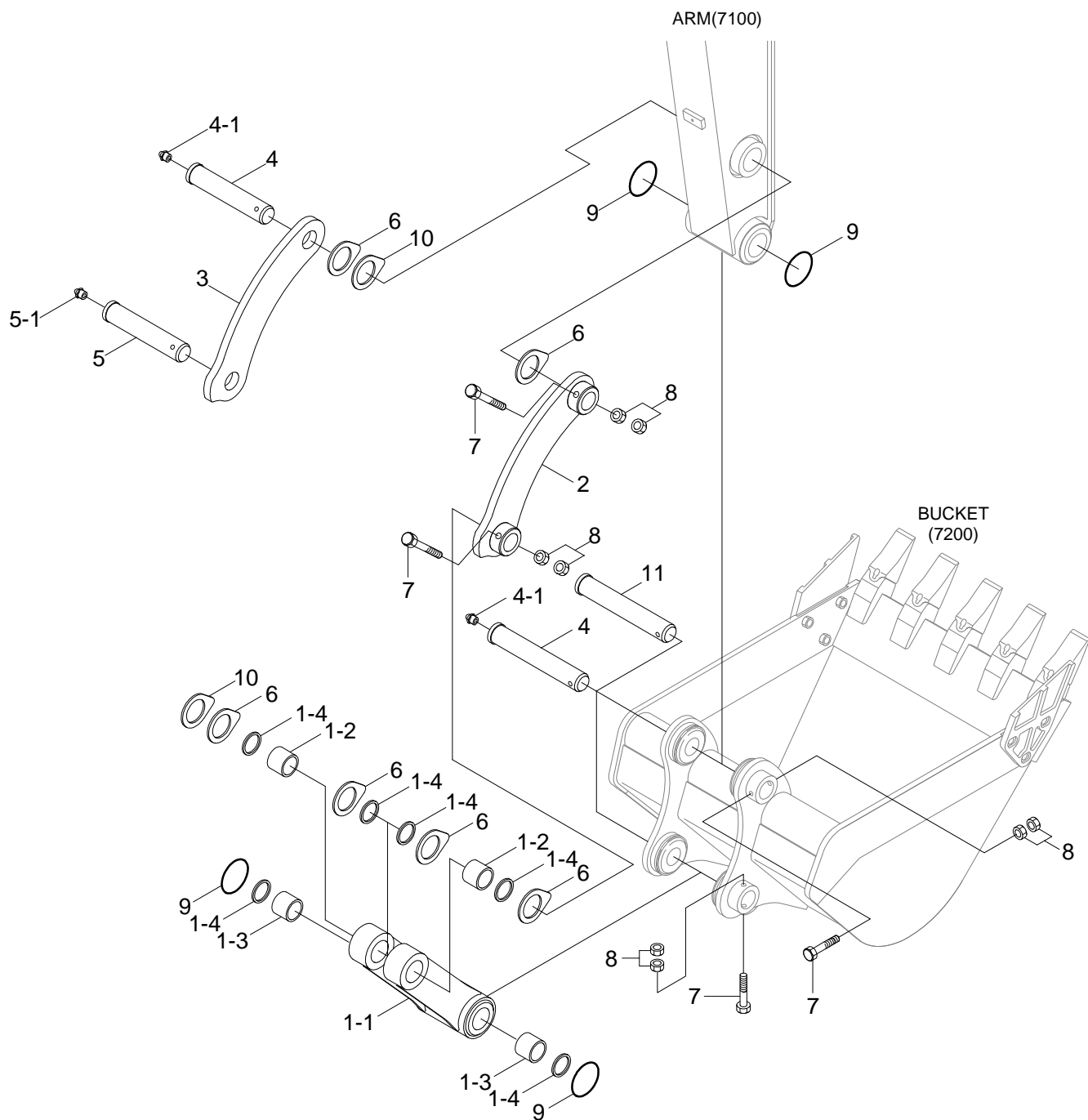
IDLER & T/CYLINDER ASSY



Item	Part_No	IS	Ord	T	Description	Qty	Serial_No	ITC	Remark
*	81M9-15010GG				IDLER & T/CYL ASSY	2			
1	81M9-13010				.IDLER ASSY	1			
1-1	81M9-13100				..IDLER SHELL	1			
1-2	81M5-53020				..SHAFT	1			
1-3	81M5-53030				..BRACKET	2			
1-4	81M5-53050				..SEAL ASSY	2			
1-5	81M5-53040				..BUSHING	2			
1-6	P220-430202				..PLUG-HEX	1			
1-7	S471-910802				..PIN-SPRING	2			
1-8	S632-045001				..O-RING	2			
2	81M8-14011				.TENSION SPRING ASSY	1			
2-1	81M8-14211				..ROD WA	1			
2-2	81M5-56070				..SPRING	1			
2-3	81M5-56080				..WASHER-LOCK	1			
2-4	S206-24100B				..NUT-HEX	1			
2-5	S226-24000B				..NUT-SLOTTED	1			
2-6	S461-500507				..PIN-SPLIT	1			
2-7	81M8-14310				..SPACER	1			
3	S017-120656				.BOLT-HEX	4			
4	S411-120006				.WASHER-SPRING	4			
5	81M6-58001				.BODY-TENSION CYL	1			
5-1	81M6-56011				..BRACKET	1			
5-2	81M5-56021				..PISTON	1			
5-3	81EL-20090				..VALVE-GREASE	1			
5-4	S631-050001				..O-RING	1			

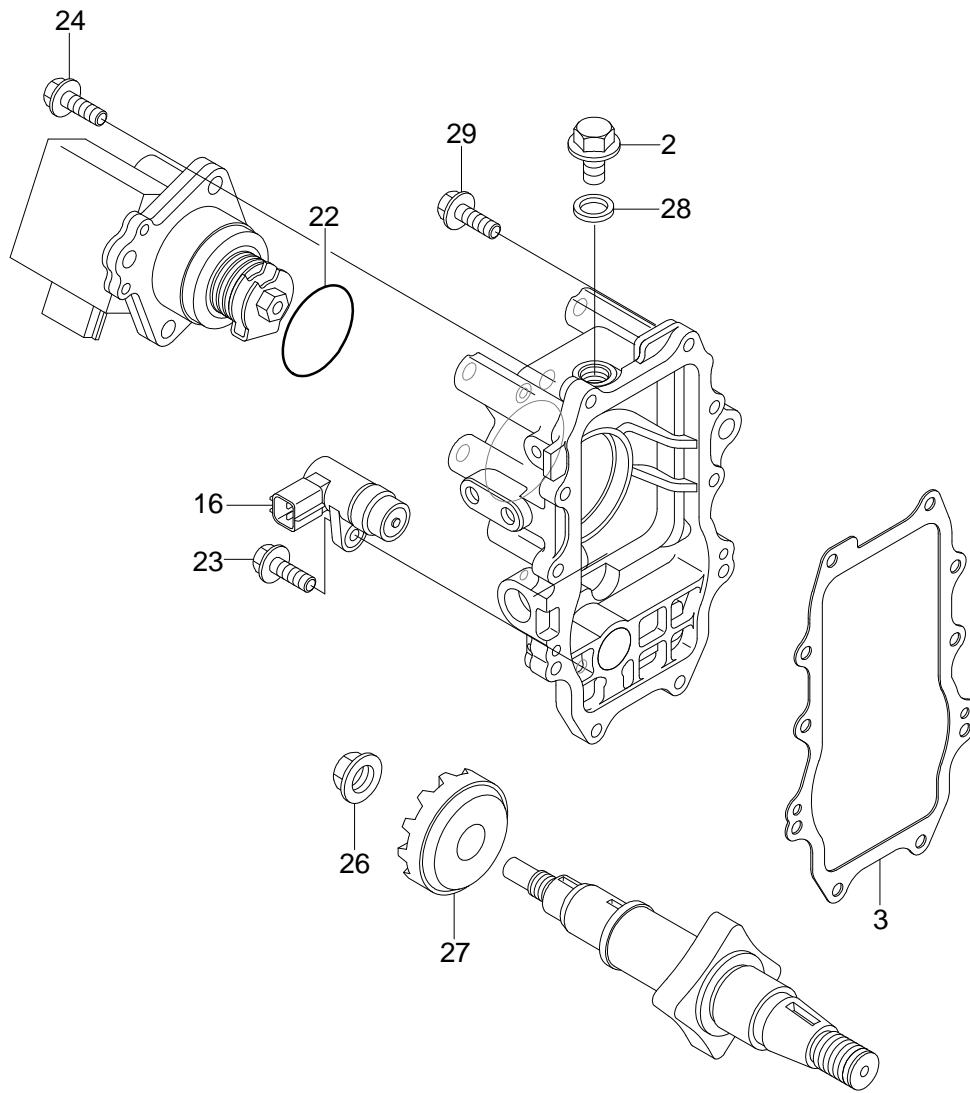
Item	Part_No	IS	Ord	T	Description	Qty	Serial_No	ITC	Remark
5-5	S641-050002				..RING-BACK UP	1			
5-6	81M6-56090				..SEAL-DUST	1			
5-7	81M6-56100				..SPACER	1			
5-8	S602-062004				..RING-RETAINING	1			

BUCKET CONTROL GROUP



Item	Part_No	IS	Ord	T	Description	Qty	Serial_No	ITC	Remark
1	61M9-40012				CONTROL ROD ASSY	1	- #1100		
	61M9-40013				CONTROL ROD ASSY	1	#1101 -	B	
N1-1	61M9-40101				.CONTROL ROD WA	1	- #1100		NOT
	61M9-40102				.CONTROL ROD WA	1	#1101 -	B	NOT
1-2	61M9-15710				.BUSHING	2			
1-3	61M9-15700				.BUSHING	2			
1-4	Y020-045111				.SEAL-DUST,DLI,KPU	6			
2	61M8-42200GG				CONTROL LINK WA-LH	1			
3	61M8-42300GG				CONTROL LINK WA-RH	1			
4	61M9-53100				PIN ASSY	3			
					PIN ASSY	1	#1295 -		QUICK COUPLER
4-1	S651-810002				.NIPPLE-GREASE	1			
5	61M9-53200				PIN ASSY	1			
5-1	S651-810002				.NIPPLE-GREASE	1			
6	61M9-08000				SHIM(1.0T)	9			
7	S017-120956				BOLT-HEX	4			
8	S207-12100B				NUT-HEX	8			
9	61M8-30500				O-RING	4			
10	61M9-08010				SHIM(2T)	2			
11	61M9-53300				PIN ASSY	2	#1295 -		QUICK COUPLER

GOVERNOR



Item	Part_No	IS	Ord	T	Description	Qty	Serial_No	ITC	Remark
2	XJAU-01081				PLUG	1			
3	XJAU-00554				PACKING-CASE	1			
16	XJAU-00938				SENSOR	1			
22	XJAU-00940				O-RING	1			
23	XJAU-00216				BOLT-PLATED	1			
24	XJAU-00392				BOLT-PLATED	3			
26	XJAU-01012				NUT	1			
27	XJAU-00939				GEAR-SENSOR	1			
28	XJAU-00803				SEAL WASHER	1			
29	XJAU-00570				BOLT-PLATED	10			

Diesel Engines

ABS	Agco-Sisu
Akasaka	Baudouin
BMW	Bukh
Caterpillar	CHN 25/34
Cummins	Daihatsu
Detroit	Deutz
Doosan-Daewoo	Fiat
Ford	GE
Grenaa	Guascor
Hanshin	Hatz
Hino	Honda
Hyundai	Isotta
Isuzu	Iveco
John-Deere	Kelvin
Kioti	Komatsu
Kubota	Liebherr
Lister	Lombardini
MAK	MAN B&W
Mercedes	Mercruiser
Mirrlees BS	Mitsubishi
MTU	MWM
Niigata	Paxman
Perkins	Pielstick
Rolls / Bergen	Ruggerini
Ruston	Scania
Shibaura	Sisu-Valmet
SKL	Smit-Bolnes
Sole	Stork
VM-Motori	Volvo
Volvo Penta	Westerbeke
Wichmann	Yanmar

Machinery

ABG	Airman
Akerman	Ammann
Astra	Atlas Copco
Atlas Weyha.	Atlet
Bell	Bendi
Bigjoe	Bobcat
Bomag	BT
Carelift	Case
Caterpillar	Cesab
Challenger	Champion
Claas	Clark
Combilift	Crown
Daewoo-Doosan	Demag
Deutz-Fahr	Dressta

Machinery

Drott	Dynapack
Extec	Faun
Fendt	Fiat
Fiatallis	Flexicoil
Furukawa	Gehl
Genie	Grove-gmk
Halla	Hamm
Hangcha	Hanix
Hanomag	Hartl
Haulpack	Hiab
Hidromek	Hino truck
Hitachi	Hyster
Hyundai	IHI
Ingersoll-rand	JCB
JLG	John-Deere
Jungheinrich	Kalmar
Kato	Kioti
Kleeman	Kobelco
Komatsu	Kramer
Kubota	Lamborghini
Landini	Liebherr
Linde	Link-belt
Manitou	Massey-Ferg.
Mccormick	MDI-Yutani
Mitsubishi	Moxy
Mustang	Neusson
New-Holland	Nichiyu
Nissan	OK
OM-Pimespo	others-tech
Pel-Job	PH-mining
Poclain	Powerscreen
Same	Samsung
Sandvik	Scania
Schaefer	Schramm
Sennebogen	Shangli
Shibaura	Steiger
Steinbock	Steyr
Still	Sumitomo
Super-pac	Tadano
Takeuchi	TCM
Terex	Toyota
Valpadana	Venieri
Versatile	Vogele
Volvo	Weidemann
Wirtgen	Yale
YAM	Yanmar