

PARTS CATALOG

**WHEEL EXCAVATOR
R200W-3**

HYUNDAI

Use the bookmarks for navigation inside the Parts book

Page	Contents	Serial_No	
1	ENGINE		
1010	ENGINE MOUNTING		2001.11.15 REV.9
1020	FUEL SYSTEM		2001. 4.20 REV.8
1030	COOLING SYSTEM		2002. 9.20 REV.10
1040	RADIATOR ASSY		2001. 4.20 REV.8
1050	AIR INTAKE SYSTEM		2000. 7.27 REV.1
1060	EXHAUST SYSTEM		2002. 9.20 REV.10
1070	ENGINE CONTROL SYSTEM		
1080	FUEL TANK		2003. 6.30 REV.11
1090	PRE HEATING SYSTEM(#0049-#0225)	#0049 - #0225	2003. 6.30 REV.11
1090A	PRE HEATING SYSTEM(#0226-)	#0226 -	2007. 5.31 REV.7E
1091	PRE HEATER ASSY(#0049-)	#0049 -	2001. 4.20 REV.8
2	HYDRAULIC SYSTEM		
2010	PUMP MOUNTING		
2020	MAIN PUMP		
2021	REGULATOR		
2022	GEAR PUMP		
2023	EPPR VALVE CASING ASSY		
2030	HYDRAULIC TANK		2003. 6.30 REV.11
2040	UPPER HYD PIPING(BASE)		2004. 2.23 REV.99
2050	UPPER HYD PIPING(ATTACH)		2001.11.15 REV.9
2060	UPPER HYD PIPING(TRAVEL)		2002. 9.20 REV.10
2070	LOWER HYD PIPING(BASE 1)		2002. 9.20 REV.10
2080	LOWER HYD PIPING(BASE 2)		2002. 9.20 REV.10
2090	LOWER HYD PIPING(BASE 3)		
2100	LOWER HYD PIPING(OUTRIGGER)		
2110	LOWER HYD PIPING(DOZER BLADE)		2000. 7.27 REV.1
2120	PILOT HYD PIPING(BASE 1)		2002. 2.23 REV.99
2130	PILOT HYD PIPING(BASE 2)		2001.11.15 REV.9
2135	SOLENOID VALVE		2001. 4.20 REV.8
2140	PILOT HYD PIPING(CONTROL 1)		2003. 6.30 REV.11
2150	PILOT HYD PIPING(CONTROL 2)		2003. 6.30 REV.11
2160	PILOT HYD PIPING(CONTROL 3)		2002. 9.20 REV.10
2170	TERMINAL ASSY		2002. 9.20 REV.10

Page	Contents	Serial_No	
2180	POWER TRAIN PIPING 1		2000. 7.27 REV.1
2190	POWER TRAIN PIPING 2		2003. 6.30 REV.11
2200	POWER TRAIN PIPING 3		2001. 4.20 REV.8
2210	SCREW COUPLING ASSY		2004. 3.12 REV.99
2215	GEAR PUMP		
2220	STEERING VALVE		
2230	BRAKE VALVE		
2240	TRANSMISSION VALVE(-#0133)	- #0133	2002. 9.20 REV.10
2241	TRANSMISSION VALVE(#0134-)	#0134 -	2003. 6.30 REV.11
2250	BRAKE SUPPLY VALVE(-#0130)	- #0130	2002. 9.20 REV.10
2251	BRAKE SUPPLY VALVE(#0131-)	#0131 -	2002. 9.20 REV.10
2260	BOOM HYD PIPING(5.68M)		2000. 7.27 REV.1
2270	BOOM HYD PIPING(5.2M)		2000. 7.27 REV.1
2280	BOOM SAFETY LOCK SYSTEM		
2290	ARM HYD PIPING(2.92M)		2003. 5.26 REV.99
2300	ARM HYD PIPING(2.0M)		2003. 5.26 REV.99
2310	ARM HYD PIPING(2.4M)		2003. 5.26 REV.99
2315	ARM HYD PIPING(3.9M)		2003. 5.26 REV.99
2320	ARM SAFETY LOCK SYSTEM		2000. 7.27 REV.1
2320A	SAFETY LOCK VALVE		2003.12.18 REV.99
2330	BOOM GREASE LUB SYSTEM(5.68M)		2001.11.15 REV.9
2340	BOOM GREASE LUB SYSTEM(5.2M)		2001.11.15 REV.9
2350	MAIN CONTROL VALVE(1/3)		
2351	MAIN CONTROL VALVE(2/3)		
2352	MAIN CONTROL VALVE(3/3)		
2360	SWING MOTOR(-#0092, 1/2)		2003. 6.30 REV.11
2361	SWING MOTOR(-#0092, 2/2)		2003. 6.30 REV.11
2362	SWING MOTOR(#0093-)		2001.11.15 REV.9
2370	SWING REDUCTION GEAR(-#0092)		2001.11.15 REV.9
2371	SWING REDUCTION GEAR(#0093-)		2002. 9.20 REV.10
2380	REMOTE CONTROL LEVER		2003. 6.30 REV.11
2381	REMOTE CONTROL LEVER(#0056-)	#0056 -	2001. 4.20 REV.8
2390	REMOTE CONTROL PEDAL		
2400	TURNING JOINT		2001. 4.20 REV.8

Page	Contents	Serial_No	
2410	TRAVEL MOTOR(1/3, MOTOR UNIT)		
2411	TRAVEL MOTOR(2/3, CONTROL UNIT 1)		
2412	TRAVEL MOTOR(3/3, CONTROL UNIT 2)		
2420	BOOM CYLINDER		
2421	BOOM CYLINDER BAND ASSY		
2430	ARM CYLINDER		
2431	ARM CYLINDER BAND ASSY		
2440	BUCKET CYLINDER		
2441	BUCKET CYLINDER BAND ASSY		
2450	OUTRIGGER CYLINDER		
2460	DOZER BLADE CYLINDER		
2470	SINGLE ACTING HYD PIPING KIT 1		2003.10.20 REV.99
2471	SINGLE ACTING HYD PIPING KIT 2		2003.10.20 REV.99
2472	SINGLE ACTING MAIN PIPING KIT		2003.11.24 REV.99
2473	ATTACH PIPING KIT(S & D/ACTING)		2003.11.03 REV.99
2474	DOUBLE ACTING HYD PIPING KIT 1		2003.10.20 REV.99
2475	DOUBLE ACTING HYD PIPING KIT 2		2003.10.20 REV.99
2476	DOUBLE ACTING MAIN PIPING KIT		2003.11.24 REV.99
2477	SINGLE PEDAL(DOUBLE ACTING)		2000. 7.27 REV.1
3	POWER TRAIN		
3010	POWER TRAIN MOUNTING		2002. 9.20 REV.10
3011	PROPELLER SHAFT		2001.11.15 REV.9
3020	FRONT AXLE DIFFERENTIAL CARRIER		
3021	FRONT AXLE DIFFERENTIAL		
3022	FRONT AXLE CASING		
3023	FRONT AXLE JOINT HOUSING		
3024	FRONT AXLE OUTPUT GROUP		
3025	FRONT AXLE STEERING GEAR		
3030	REAR AXLE DIFFERENTIAL CARRIER		
3031	REAR AXLE DIFFERENTIAL		
3032	REAR AXLE CASING		
3033	REAR AXLE HUB CARRIER		
3034	REAR AXLE OUTPUT GROUP		
3040	TRANSMISSION INPUT HOUSING		

Page	Contents	Serial_No	
3041	TRANSMISSION INPUT GROUP		
3042	TRANSMISSION HOUSING		
3043	TRANSMISSION OIL PIPE		
3044	TRANSMISSION COUPLING		
3045	TRANSMISSION MULTI-DISC BRAKE		
3046	TRANSMISSION PLANETARY DRIVE		
3047	TRANSMISSION DISCONNECTION		
3048	TRANSMISSION SPUR GEAR DRIVE		
3049	TRANSMISSION GEAR SHIFT SENSOR		
3050	TRANSMISSION OUTPUT GROUP		
4	ELECTRIC SYSTEM		
4010	STEERING COLUMN GROUP		2001. 4.20 REV.8
4011	STEERING COLUMN		2001. 4.20 REV.8
4020	ELECTRIC PARTS 1(BASE)		2002. 9.20 REV.10
4030	ELECTRIC PARTS 2(RH)		
4040	ELECTRIC PARTS 3(LH)		2001.11.15 REV.9
4050	ELECTRIC PARTS 4(ENGINE)		2001. 4.20 REV.8
4060	ELECTRIC PARTS 5(BOOM)		2000. 7.27 REV.1
4070	ELECTRIC BOX ASSY		2002. 9.20 REV.10
4080	FUEL FILLER PUMP ELECTRIC		
4090	FUEL FILLER PUMP ASSY		2003. 6.30 REV.11
4100	CAB ELECTRIC 1		2003. 5.26 REV.99
4110	CAB ELECTRIC 2		2004. 1.27 REV.99
4120	CONTROL PANEL		2003. 6.30 REV.11
4130	AIR CONDITIONER & HEATER MOUNT		2003. 6.30 REV.11
4140	HEATER & EVAPORATOR UNIT		2001. 4.20 REV.8
4150	AIR CONDITIONER MOUNTING		2003. 6.30 REV.11
4160	EVAPORATOR UNIT		2001. 4.20 REV.8
4170	HEATER MOUNTING		2003. 6.30 REV.11
4180	HEATER UNIT		
4190	ELECTRIC PRE HEATING(#0049-#0225)	#0049 - #0225	2003. 6.30 REV.11
5	UPPER STRUCTURE		
5010	UPPER FRAME & COUNTERWEIGHT		
5020	COWLING 1		

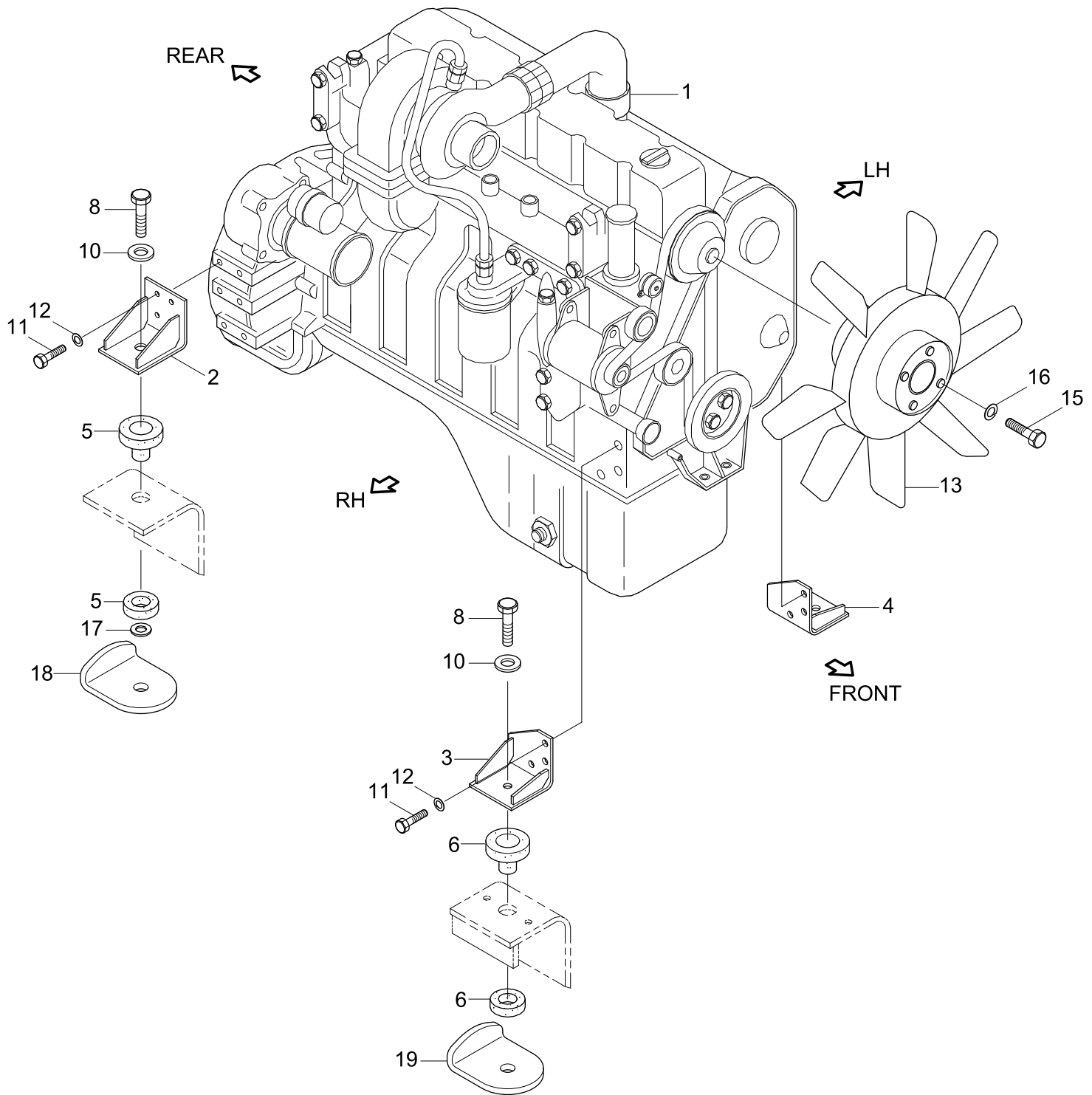
Page	Contents	Serial_No	
5030	COWLING 2		2001.11.15 REV.9
5040	COWLING 3(SIDE COWL ASSY, LH)		
5041	SIDE COVER ASSY(LH, FRONT)		
5042	SIDE COVER ASSY(LH, REAR)		
5050	COWLING 4		
5060	ENGINE HOOD		2001.11.15 REV.9
5070	ENGINE HOOD ASSY		2000. 7.27 REV.1
5080	UNDER COVER		2002. 9.20 REV.10
5090	CAB MOUNTING		2003. 6.30 REV.11
5100	CAB ASSY(1/3)		2001.11.15 REV.9
5101	CAB ASSY(2/3)		2001.11.15 REV.9
5102	DOOR LATCH ASSY		
5103	CAB ASSY(3/3, DOOR)		
5104	DOOR SASH ASSY		
5110	CAB INTERIOR		
5120	AIR CONDITIONER COVER ASSY		
5130	CONSOLE BOX(RH)		
5140	CONSOLE BOX(LH)		
5150	SEAT BASE ASSY		2001.11.15 REV.9
5160	SEAT(-#0088)	- #0088	2003. 6.30 REV.11
5161	SEAT(#0089-#0278)	#0089 - #0278	2004.02.26 REV.99
5162	SEAT(#0279-)	#0279 -	2004.02.26 REV.99
5170	BOTTOM PLATE MOUNTING		2003. 6.30 REV.11
5180	FUEL FILLER PUMP BOX MOUNTING		
5190	FUEL FILLER PUMP BOX		
5200	SWING RING GREASE LUB SYSTEM		2002. 9.20 REV.10
5210	GROMMET GROUP		
6	LOWER STRUCTURE		
6010	LOWER FRAME		2001.11.15 REV.9
6020	TOOL BOX ASSY		
6030	DOZER BLADE MOUNTING		
6040	DOZER BLADE ASSY		
6050	OUTRIGGER MOUNTING(FRONT)		2001.11.15 REV.9
6060	OUTRIGGER MOUNTING(REAR)		

Page	Contents	Serial_No	
6070	OUTRIGGER ASSY(REAR)		2001.11.15 REV.9
7	ATTACHMENT		
7010	BOOM MOUNTING		
7020	BUCKET CONTROL GROUP		2001.11.15 REV.9
7030	BOOM(5.68M, STD)		2001. 4.20 REV.8
7040	BOOM(5.2M, MASS)		2001. 4.20 REV.8
7050	ARM(2.92M, STD)		2003. 6.30 REV.11
7060	ARM(2.0M, SUPER SHORT)		2003. 6.30 REV.11
7070	ARM(2.4M, SHORT)		2003. 6.30 REV.11
7075	ARM(3.9M, LONG)		2003. 6.30 REV.11
7080	BUCKET(0.87M3 PCSA HEAPED, STD)		
7090	BUCKET(0.51M3 PCSA HEAPED, NARROW)		
7100	BUCKET(0.80M3 PCSA HEAPED, NARROW)		
7110	BUCKET(0.92M3 PCSA HEAPED)		
7120	BUCKET(1.05M3 PCSA HEAPED)		
7130	BUCKET(1.20M3 PCSA HEAPED)		
7140	BUCKET(1.34M3 PCSA HEAPED)		
7150	BUCKET(0.87M3 PCSA HEAPED, ROCK, A TYPE)		
7160	BUCKET(0.87M3 PCSA HEAPED, ROCK, B TYPE)		
7170	BUCKET(0.75M3 PCSA HEAPED, S/FINISHING)		
7180	BUCKET(0.86M3 PCSA HEAPED, S/FINISHING)		
7190	BUCKET(0.87M3 PCSA HEAPED, ROCK, ESCO)		
7200	BUCKET(0.72M3 PCSA HEAPED, HEAVY DUTY)		
7210	BUCKET(0.82M3 PCSA HEAPED, HEAVY DUTY)		
7220	BUCKET(1.16M3 PCSA HEAPED, HEAVY DUTY)		
8	OTHERS		
8010	TOOLS		2000. 7.27 REV.1
8020	DECALS		2002. 9.20 REV.10
9	ENGINE BASE		
9010	ACCESSORY DRIVE PULLEY		
9020	AIR INTAKE HEATER		
9030	DATAPLATE		
9040	ROCKER LEVERS		

Page	Contents	Serial_No	
9050	VALVE TAPPET		
9060	FRONT GEAR COVER		
9070	CYLINDER BLOCK		
9080	CRANKSHAFT AND MAIN BEARINGS		
9090	CAM FOLLOWER COVER 1		
9100	CAM FOLLOWER COVER 2		
9110	VIBRATION DAMPER		
9120	FRONT GEAR TRAIN ACCESSORY DRIVE		2007.10.31 REV.7K
9130	FUEL DRAIN LOCATION		
9140	THERMOSTAT		
9150	ALTERNATOR LOCATION		
9160	ALTERNATOR DRIVE		
9170	MECHANICAL TACHOMETER DRIVE 1		
9180	MECHANICAL TACHOMETER DRIVE 2		
9190	FAN DRIVE 1		
9200	FAN DRIVE 2		
9210	AIR FUEL CONTROL PLUMBING		
9220	FUEL FILTER		
9230	FUEL FILTER PLUMBING		
9240	FLYWHEEL HOUSING		
9250	FUEL PUMP COUPLING		
9260	INJECTION PUMP		
9265	BASE FUEL PUMP		
9270	FUEL SYSTEM ACCESSORIES 1		
9280	FUEL SYSTEM ACCESSORIES 2		
9290	FUEL PLUMBING		
9300	FUEL SHUTOFF VALVE		
9310	FLYWHEEL		
9320	LIFTING BRACKET		
9330	ENGINE OIL COOLER		
9340	OIL LEVEL GAUGE		
9350	LUBRICATING OIL PUMP		
9360	CYLINDER BLOCK COVER		
9370	OIL PAN 1		

9380	OIL PAN 2		
9390	CONNECTING ROD & PISTON		
9400	CAMSHAFT		
9410	FUEL INJECTOR		
9420	CYLINDER HEAD		
9430	TURBOCHARGER 1		
9440	TURBOCHARGER 2		
9450	CYLINDER HEAD MOUNTING		
9460	TEMPERATURE SENSOR		
9470	STARTING MOTOR MOUNTING		
9480	FAN PILOT SPACER 1		
9490	FAN PILOT SPACER 2		
9500	STARTING MOTOR		
9510	AIR INTAKE CONNECTION		
9520	TURBOCHARGER MOUNTING		
9530	EXHAUST MANIFOLD		
9540	THERMOSTAT HOUSING		
9550	TURBOCHARGER PLUMBING		
9560	VALVE COVER		
9570	AFTERCOOLER PLUMBING		
9580	ENGINE VENT PLUMBING		
9590	WATER INLET CONNECTION 1		
9600	WATER INLET CONNECTION 2		
9610	WATER PUMP		
9620	EXHAUST CONNECTION		

ENGINE MOUNTING

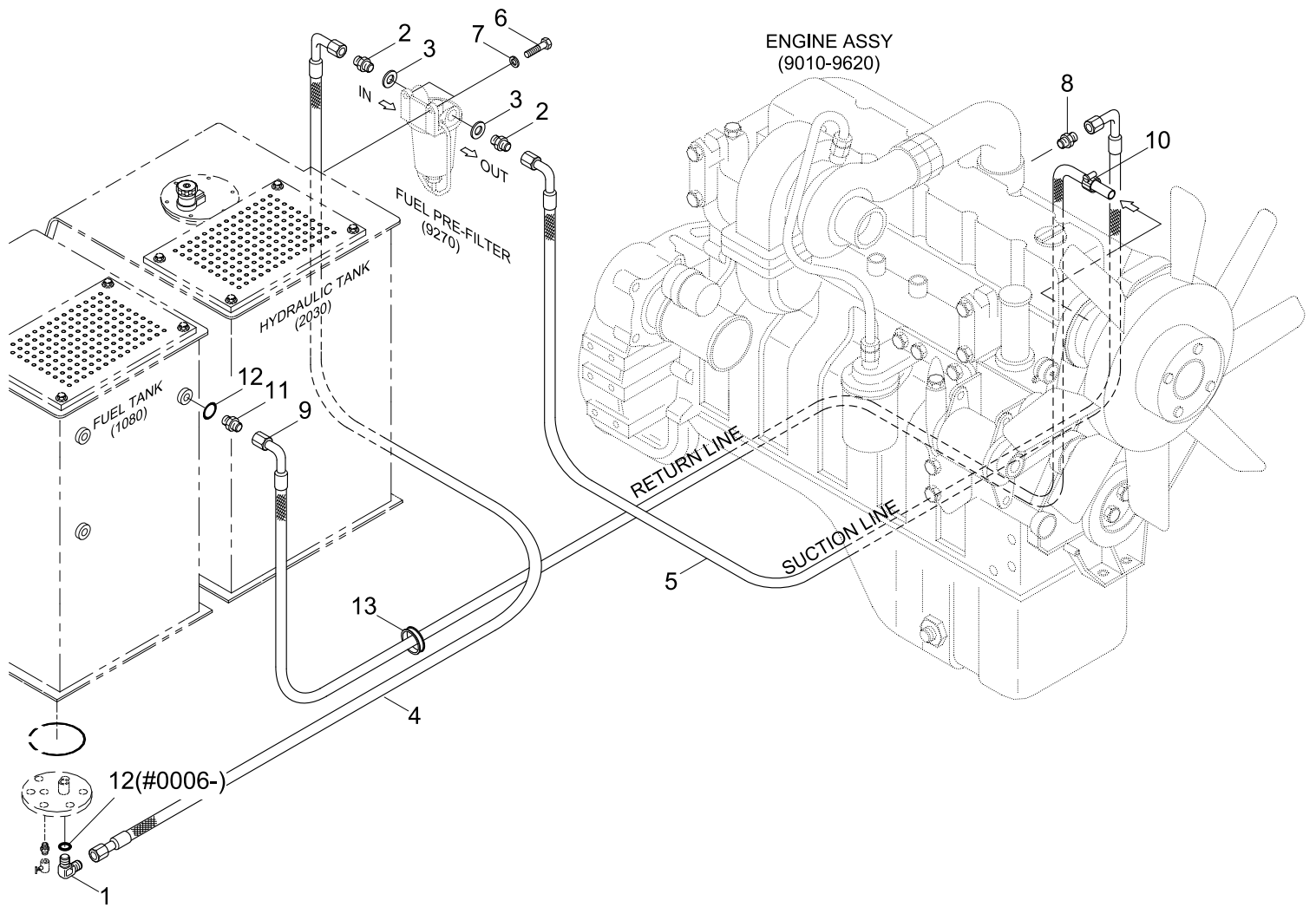


HHI Construction Equipment ::: e-Catalogue

Item	Part_No	IS	Ord	T	Description	Qty	Serial_No	ITC	Remark
1	11ER-02010				ENGINE ASSY	1			
2	11EN-02080				BRACKET-REAR , RH	2			
3	11ER-02030				BRACKET-FRONT	1			
4	11ER-02020				BRACKET-FRONT	1			
5	11EK-10070				RESILIENT	2			
6	11EK-10060				RESILIENT	2			
8	S017-221452				BOLT-HEX	4			
10	S441-220002				WASHER-HARDENED	4			
11	S017-120352				BOLT-HEX	14			
12	S411-120002				WASHER-SPRING	14			
13	11E9-04020				FAN-ENGINE	1			
15	S017-101202				BOLT-HEX	4			
16	S403-102002				WASHER-PLAIN	4			
17	E111-1009	10			WASHER	2			
18	11EK-02070				STOPPER-NUT	2	- #0080		
18	11EK-02071				STOPPER-NUT	2	#0081 -	B	
19	11EK-02080				STOPPER-NUT	2	- #0080		

Item	Part_No	IS	Ord	T	Description	Qty	Serial_No	ITC	Remark
19	11EK-02081				STOPPER-NUT	2	#0081 -	B	

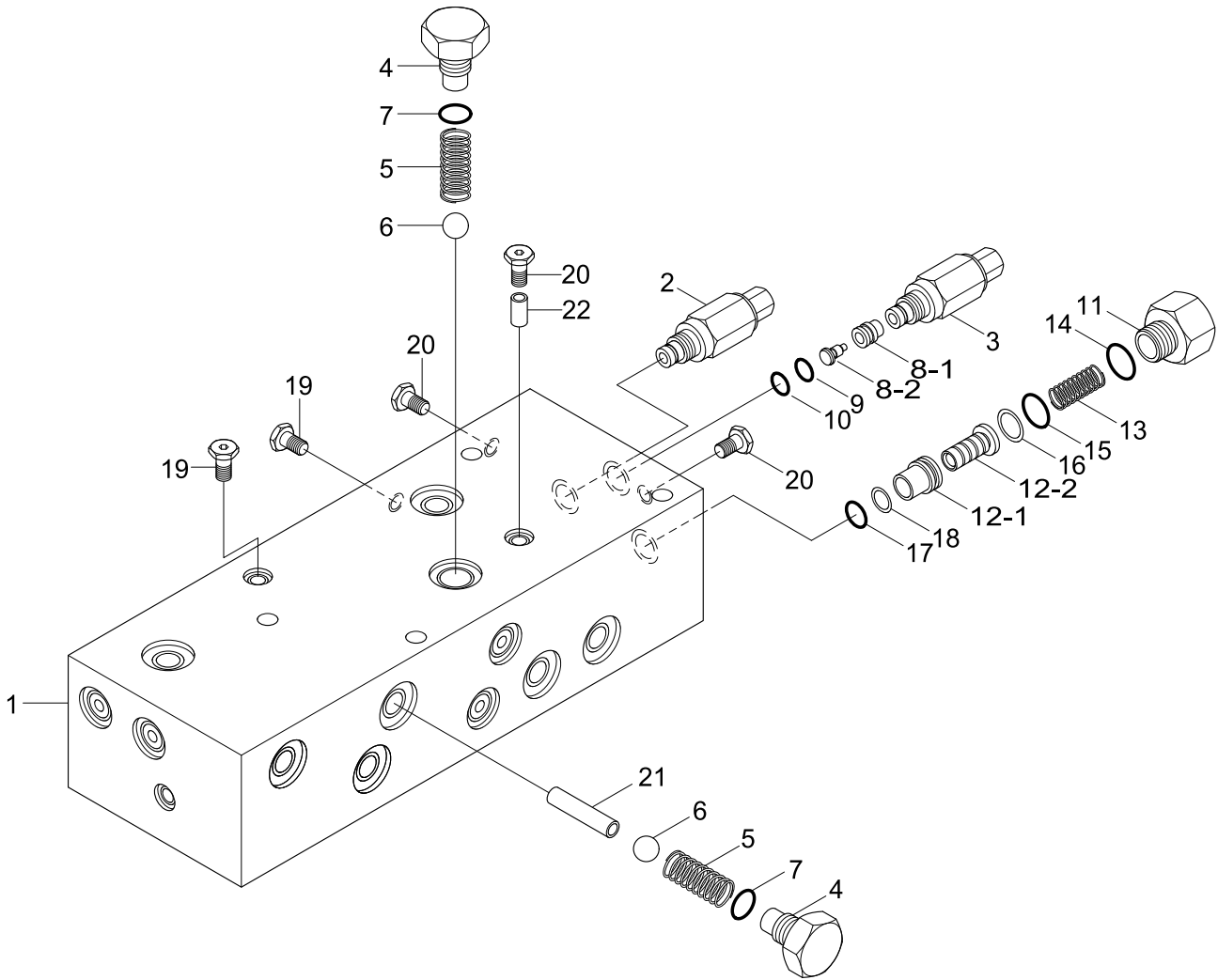
FUEL SYSTEM



HHI Construction Equipment ::: e-Catalogue

Item	Part_No	IS	Ord	T	Description	Qty	Serial_No	ITC	Remark
1	P010-430004				CONNECTOR	1	- #0005		
1	P020-110003				ELBOW-90	1	#0006 -	D	
2	11EM-52340				CONNECTOR	2	- #0022		
2	11EM-52341				CONNECTOR	2	#0023 -	B	
3	P392-140000				WASHER-COPPER	2			
4	11ER-52310				HOSE ASSY	1			
5	11ER-52321				HOSE FUEL	1			
6	S015-080202				BOLT-HEX	2			
7	S403-082002				WASHER-PLAIN	2			
8	P010-530004				CONNECTOR	1			
9	11ER-52330				HOSE-FUEL	1			
10	S520-015000				CLAMP-HOSE	1			
11	P010-110015				CONNECTOR	1			
12	S631-018004				O-RING	1	- #0005		
12	S631-018004				O-RING	2	#0006 -	A	
13	S760-040800				GROMMET	1			

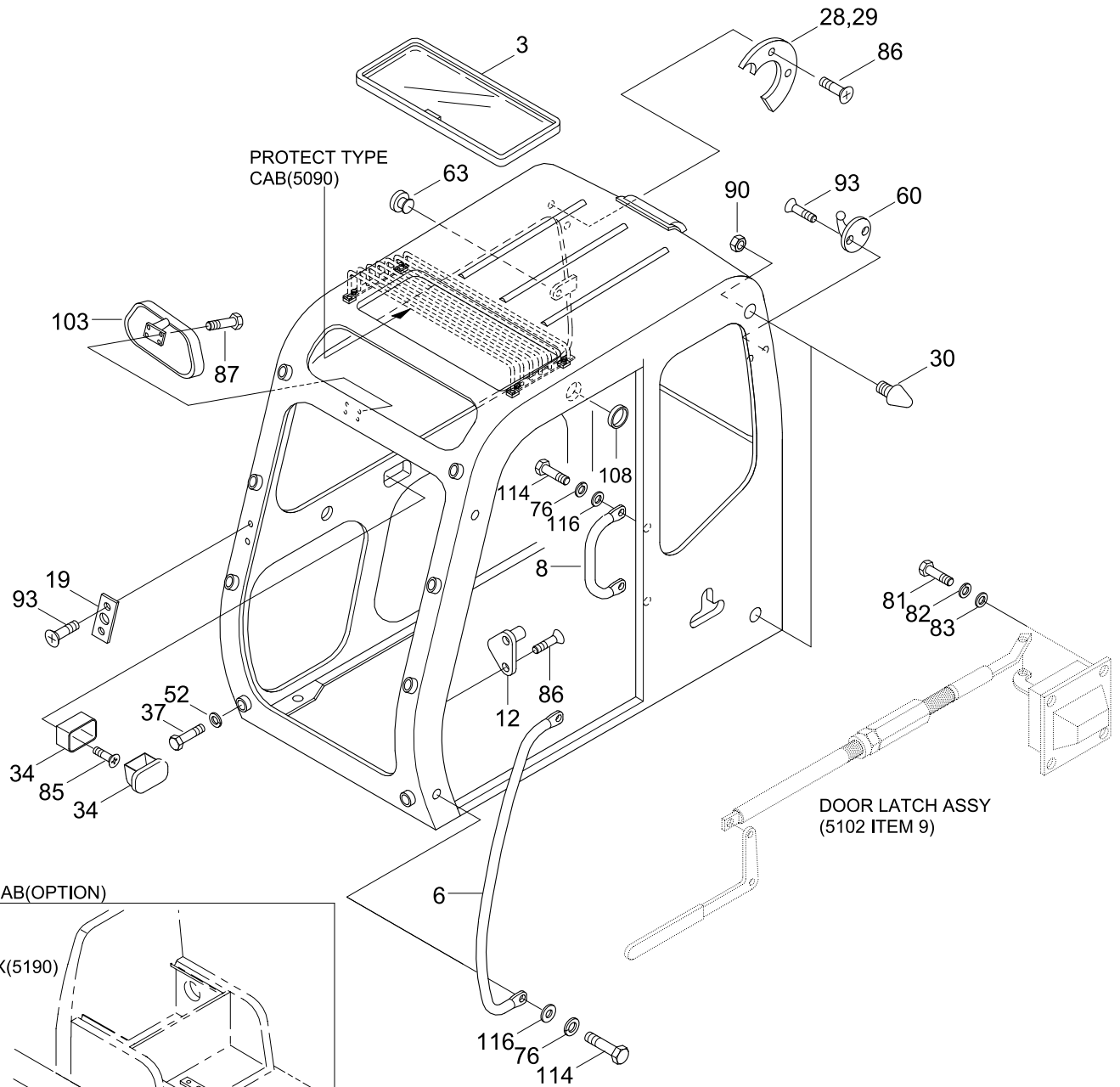
BRAKE SUPPLY VALVE(-#0130)



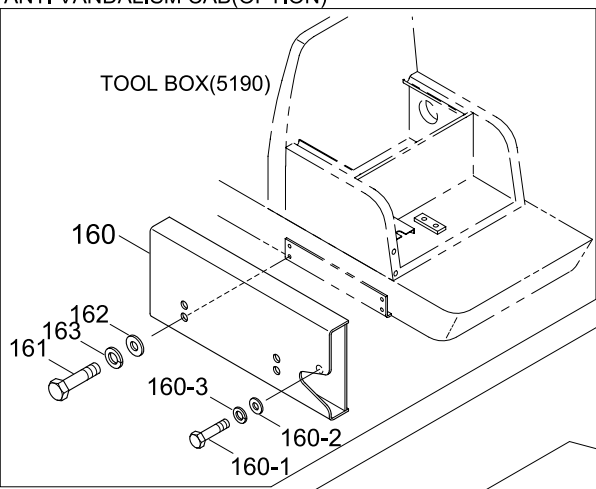
Item	Part_No	IS	Ord	T	Description	Qty	Serial_No	ITC	Remark
*	31EM-30132				BRAKE SUPPLY VALVE	1	- #0130	-	SEE 2251
N1	@				.BLOCK	1			NOT
2	1DR30-P-20S				.VALVE-RELIEF	1			
3	1DRX13509-01				.VALVE-UNLOAD	1			
4	AXP870				.SPRING HOUSING	3			
5	AXP1054				.SPRING	3			
6	B113				.BALL	3			
N7	61132113				.O-RING	3			NOT
8	AXP14417				.HONED-COMPRISING	1			
8-1	AXP2666				..SLEEVE-PILOT	1			
8-2	AXP14416				..PIN-PILOT	1			
9	62145012				.RING-BACK UP	1			
10	61131107				.O-RING	1			
11	AXP980				.RETAINER-FLOW REG	1			
12	AXP2894				.HONED-COMPRISING	1			
12-1	AXP1803				..SLEEVE	1			
12-2	AXP2895				..SPOOL	1			

Item	Part_No	IS	Ord	T	Description	Qty	Serial_No	ITC	Remark
13	AXP3922				.SPRING	1			
14	61134120				.O-RING	1			
15	61134108				.O-RING	1			
16	62145020				.RING-BACK UP	1			
17	61134107				.O-RING	1			
18	62145019				.RING-BACK UP	1			
19	AXP8444-4T				.PLUG	2			
20	AXP8444-2T				.PLUG-HEX HOLLOW	3			
21	AXP17440				.PLUNGER	1			
22	AXP14067-080				.PLUG-ORIFICE	1			
N	@				NOT INDIVIDUALLY SUPPLIED	AR			NOT

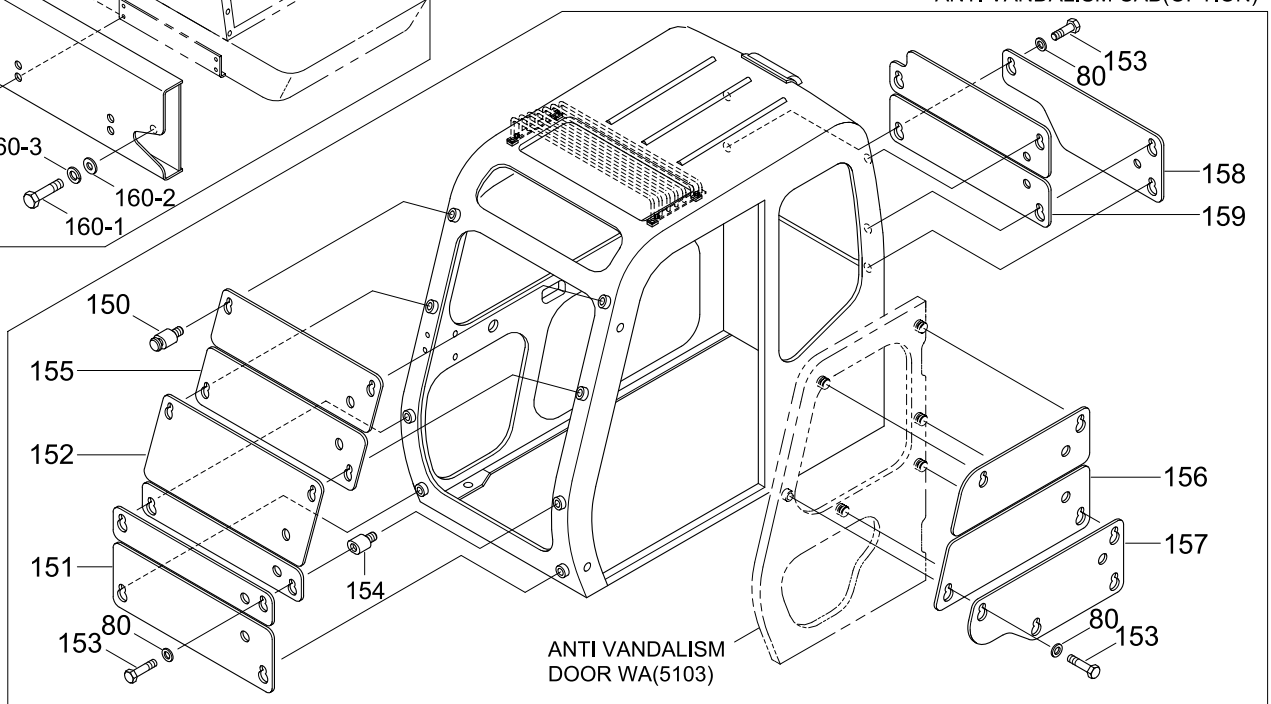
CAB ASSY(2/3)



ANTI VANDALISM CAB(OPTION)



ANTI VANDALISM CAB(OPTION)



HHI Construction Equipment ::: e-Catalogue

Item	Part_No	IS	Ord	T	Description	Qty	Serial_No	ITC	Remark
*	@				CAB ASSY	1			NOT
N3	71EH-12121				.SUN ROOF ASSY	1			NOT
6	71EH-10640				.RAIL-HAND	1			
8	71E6-26301				.HANDLE	1			
12	E171-1292				.PIN-LOCK	1			
19	E171-1185				.PLATE-NOZZLE MTG	1			
28	71EH-12691				.STOPPER-LH	1			
N29	71EH-12701				.STOPPER-RH	1			NOT
30	E171-1178				.RUBBER-BUMPER	2			
34	E171-1176				.ASHTRAY	1			
37	S017-120206				.BOLT-HEX	8	- #0081	-	PRO , ROOF
52	S411-120006				.WASHER-SPRING	8	- #0081	-	PRO , ROOF
60	E171-1172	10			.HOOK-COAT	1			
63	71EH-13230				.RUBBER	2	- #0081	-	
76	S411-100006				.WASHER-SPRING	4			
80	S403-082006				.WASHER-PLAIN	4	#0001 -	-	ANTI VANDAL
81	S015-060206				.BOLT-HEX	4			

Diesel Engines

ABS	Agco-Sisu
Akasaka	Baudouin
BMW	Bukh
Caterpillar	CHN 25/34
Cummins	Daihatsu
Detroit	Deutz
Doosan-Daewoo	Fiat
Ford	GE
Grenaa	Guascor
Hanshin	Hatz
Hino	Honda
Hyundai	Isotta
Isuzu	Iveco
John-Deere	Kelvin
Kioti	Komatsu
Kubota	Liebherr
Lister	Lombardini
MAK	MAN B&W
Mercedes	Mercruiser
Mirrlees BS	Mitsubishi
MTU	MWM
Niigata	Paxman
Perkins	Pielstick
Rolls / Bergen	Ruggerini
Ruston	Scania
Shibaura	Sisu-Valmet
SKL	Smit-Bolnes
Sole	Stork
VM-Motori	Volvo
Volvo Penta	Westerbeke
Wichmann	Yanmar

Machinery

ABG	Airman
Akerman	Ammann
Astra	Atlas Copco
Atlas Weyha.	Atlet
Bell	Bendi
Bigjoe	Bobcat
Bomag	BT
Carelift	Case
Caterpillar	Cesab
Challenger	Champion
Claas	Clark
Combilift	Crown
Daewoo-Doosan	Demag
Deutz-Fahr	Dressta

Machinery

Drott	Dynapack
Extec	Faun
Fendt	Fiat
Fiatallis	Flexicoil
Furukawa	Gehl
Genie	Grove-gmk
Halla	Hamm
Hangcha	Hanix
Hanomag	Hartl
Haulpack	Hiab
Hidromek	Hino truck
Hitachi	Hyster
Hyundai	IHI
Ingersoll-rand	JCB
JLG	John-Deere
Jungheinrich	Kalmar
Kato	Kioti
Kleeman	Kobelco
Komatsu	Kramer
Kubota	Lamborghini
Landini	Liebherr
Linde	Link-belt
Manitou	Massey-Ferg.
Mccormick	MDI-Yutani
Mitsubishi	Moxy
Mustang	Neusson
New-Holland	Nichiyu
Nissan	OK
OM-Pimespo	others-tech
Pel-Job	PH-mining
Poclain	Powerscreen
Same	Samsung
Sandvik	Scania
Schaefer	Schramm
Sennebogen	Shangli
Shibaura	Steiger
Steinbock	Steyr
Still	Sumitomo
Super-pac	Tadano
Takeuchi	TCM
Terex	Toyota
Valpadana	Venieri
Versatile	Vogele
Volvo	Weidemann
Wirtgen	Yale
YAM	Yanmar