

PARTS CATALOG

**CRAWLER EXCAVATOR
R180LC-9**

HYUNDAI

Use the bookmarks for navigation inside the Parts book

Hyundai Crawler Excavator R180LC-9

Parts Catalog Contents

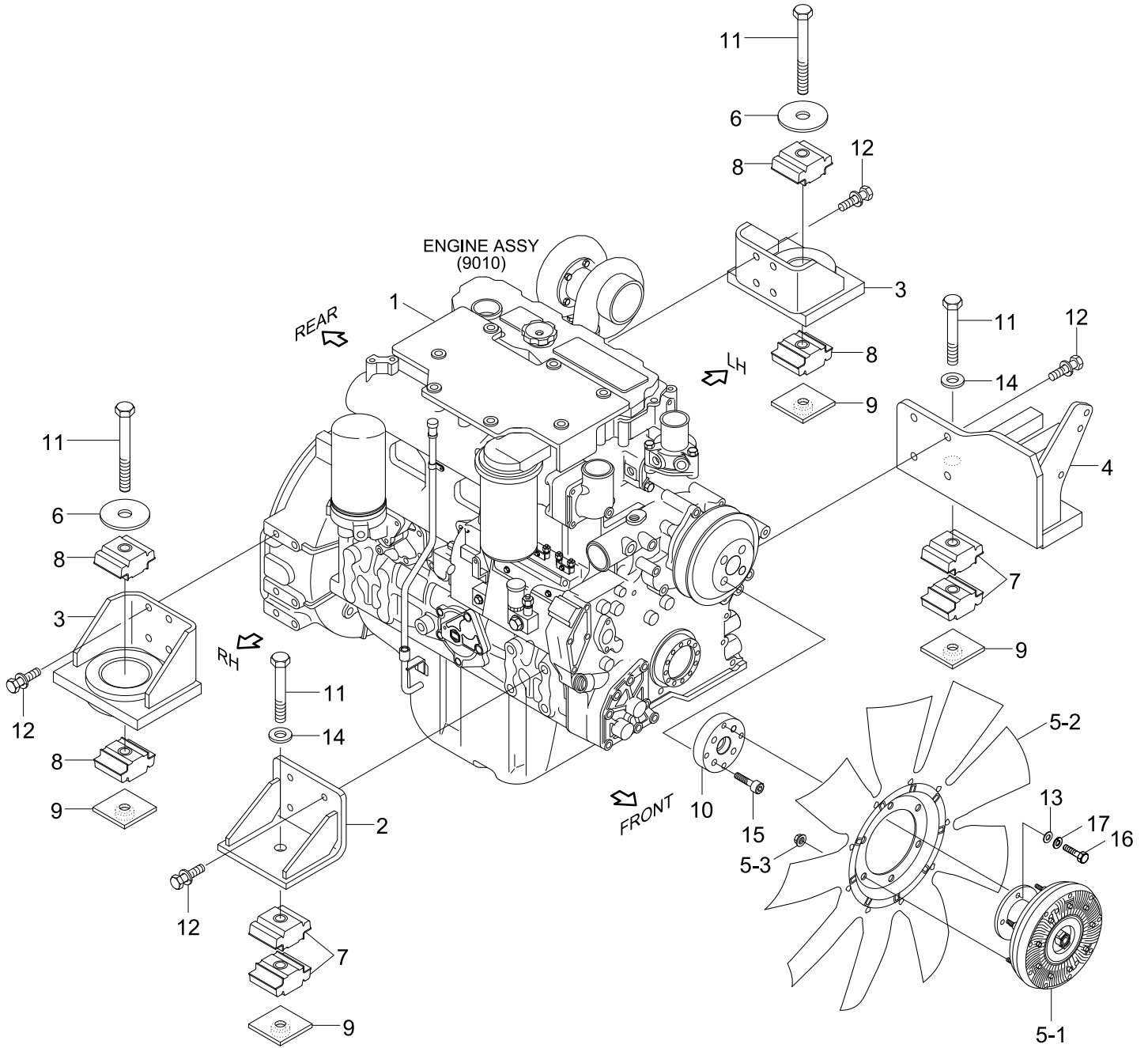
Page	Contents	Serial_No	Revision_No
1	ENGINE SYSTEM		
1010	ENGINE MOUNTING		2014. 5.31 REV.14E
1020	AIR INTAKE SYSTEM		2013. 9.30 REV.13J
1030	EXHAUST SYSTEM		2014. 1.31 REV.14A
1040	COOLING SYSTEM		2013. 9.30 REV.13J
1050	RADIATOR ASSY		2014. 9.30 REV.14J
1060	FUEL SYSTEM(WITHOUT PREFILTER)		2014. 2.28 REV.14B
1065	FUEL SYSTEM(WITH PREFILTER)		2014. 2.28 REV.14B
1070	FUEL TANK		2014. 6.30 REV.14F
1080	AIRCON & HEATER GROUP		2013. 11.30 REV.13L
1085	AIR CONDITIONER BOTTOM SUB		2013. 10.31 REV.13K
1090	AIRCON & HEATER UNIT		2011.11.30 REV.11L
1100	AIR CONDITIONER MOUNTING		2013. 11.30 REV.13L
1110	AIR CONDITIONER UNIT(SEMI AUTO)		
1120	HEATER MOUNTING		
1130	HEATER UNIT(SEMI AUTO)		2011.11.30 REV.11L
2	ELECTRIC SYSTEM		
2010	RH ELECTRIC		2015. 1.31 REV.15A
2020	LH ELECTRIC		2015. 5.31 REV.15E
2030	BOOM ELECTRIC(STD)		2014. 7.31 REV.14G
2035	BOOM ELECTRIC(ADJUST BOOM)	#0004 -	2014. 7.31 REV.14G
2040	ENGINE ELECTRIC		2015. 9.30 REV.15J
2050	ELECTRIC BOX(-#0148)	- #0148	2014. 2.28 REV.14B
2051	ELECTRIC BOX(#0149-)	#0149 -	2014. 2.28 REV.14B
2060	CAB ELECTRIC 1		2012.6.30 REV.12F
2070	CAB ELECTRIC 2		2014. 3.31 REV.14C
2080	CABIN ROOM ELECTRIC		2015. 6.30 REV.15F
2085	CLUSTER		2015. 2.28 REV.15B
2090	BOTTOM ELECTRIC		2015. 5.31 REV.15E
2100	FUEL FILLER PUMP		2011. 1.31 REV.11A
2110	FUSE BOX		2009. 11.30 REV.9L
3	HYDRAULIC SYSTEM		
3010	PUMP MOUNTING		
3020	HYDRAULIC TANK		2014. 2.28 REV.14B
3100	UPPER HYD PIPING(BASE)		2014. 2.28 REV.14B
3110	UPPER HYD PIPING (ATTACH)		2015. 7.31 REV.15G
3115	UPPER HYD PIPING 1(ADJUST BOOM, -#0030)	#0004 - #0030	2011.10.31 REV.11K
3116	UPPER HYD PIPING 2(ADJUST BOOM, -#0030)	#0004 - #0030	2011.10.31 REV.11K
3117	UPPER HYD PIPING 1 (ADJUST BOOM, #0031-)	#0031 -	2015. 7.31 REV.15G
3118	UPPER HYD PIPING 2 (ADJUST BOOM, #0031-)	#0031 -	2015. 7.31 REV.15G
3120	UPPER HYD PIPING (TRAVEL)		2015. 8.31 REV.15H
3200	PILOT HYD PIPING (CONTROL 1)		2015. 6.30 REV.15F
3210	PILOT HYD PIPING (CONTROL 2)		2015. 6.30 REV.15F
3230	PILOT HYD PIPING (BOTTOM 1)		2015. 6.30 REV.15F
3240	PILOT HYD PIPING (BOTTOM 2)		2015. 6.30 REV.15F
3250	PILOT HYD PIPING (BASE 1)		2015. 8.31 REV.15H
3260	PILOT HYD PIPING (BASE 2)		2015. 6.30 REV.15F
3270	PILOT HYD PIPING (BASE 3)		2015. 6.30 REV.15F
3290	UPPER HYD PIPING (R180LCD-9)		2015. 6.30 REV.15F
3295	UPPER HYD PIPING 1 (R180LCD-9, ADJ BOOM)	#0031 -	2015. 6.30 REV.15F
3296	UPPER HYD PIPING 2(R180LCD-9, ADJ BOOM)	#0031 -	2012. 12.31 REV.12M
3300	TRAVEL HYD PIPING (R180LC-9)		2015. 7.31 REV.15G
3310	TRAVEL HYD PIPING 1 (R180LCD-9)		2015. 7.31 REV.15G

3320	TRAVEL HYD PIPING 2(R180LCD-9)		2010.10.31 REV.10K
3400	BOOM HYD PIPING(5.1M, STD)		2013. 12.31 REV.13M
3405	BOOM HYD PIPING (ADJUST BOOM)	#0004 -	2015. 9.30 REV.15J
3410	BOOM GREASE LUB SYSTEM (5.1M, STD)		2015. 12.31 REV.15M
3415	BOOM GREASE LUB SYSTEM (ADJUST BOOM)	#0004 -	2015. 9.30 REV.15J
3420	BOOM SAFETY LOCK SYSTEM		2015. 3.31 REV.15C
3430	QUICK CLAMP HYD PIPING		2014. 2.28 REV.14B
3500	ARM HYD PIPING		2013. 12.31 REV.13M
3510	ARM HYD PIPING (3.1M, LONG)		2015. 9.30 REV.15J
3520	ARM SAFETY LOCK SYSTEM		2015. 3.31 REV.15C
3630	ATTACH PIPING KIT (S & D/ACTING)		2015. 4.30 REV.15D
3640	SINGLE ACTING MAIN PIPING KIT		2014. 3.31 REV.14C
3641	S/ACTING MAIN PIPING KIT(ADJUST BOOM)		2014. 3.31 REV.14C
3645	DOUBLE ACTING MAIN PIPING KIT 1		2012.1.31 REV.12A
3646	DOUBLE ACTING MAIN PIPING KIT 2		2012.1.31 REV.12A
3650	DOUBLE ACTING MAIN PIPING 1(ADJUST BOOM)		2011. 5.31 REV.11E
3651	DOUBLE ACTING MAIN PIPING 2(ADJUST BOOM)		2011. 5.31 REV.11E
4	HYDRAULIC COMPONENT		
4010	MAIN PUMP		
4020	REGULATOR		
4030	GEAR PUMP		
4050	MAIN CONTROL VALVE (1/4)		2015. 12.31 REV.15M
4060	MAIN CONTROL VALVE (2/4)		2015. 12.31 REV.15M
4070	MAIN CONTROL VALVE (3/4)		2015. 12.31 REV.15M
4080	MAIN CONTROL VALVE (4/4)		2015. 12.31 REV.15M
4100	SWING MOTOR (TYPE 1)		2015. 5.31 REV.15E
4105	SWING MOTOR (TYPE 2)	#0157 -	2015. 6.30 REV.15F
4110	SWING REDUCTION GEAR (TYPE 1)		2015.10.31 REV.15K
4115	SWING REDUCTION GEAR (TYPE 2)	#0157 -	2015. 6.30 REV.15F
4117	SWING MOTOR SUB (TYPE 1)		2015. 5.31 REV.15E
4118	SWING MOTOR SUB (TYPE 2)		2015. 5.31 REV.15E
4120	REMOTE CONTROL LEVER (TYPE M1, -#0156)	- #0156	2014. 12.31 REV.14M
4120A	REMOTE CONTROL LEVER (TYPE M1, #0157-)	#0157 -	2014. 12.31 REV.14M
4121	REMOTE CONTROL LEVER (TYPE 2, -#0115)	#0115 - #0115	2014. 6.30 REV.14F
4121A	REMOTE CONTROL LEVER (TYPE M2)		2014. 12.31 REV.14M
4122	REMOTE CONTROL LEVER (TYPE 3)		2014. 6.30 REV.14F
4122A	REMOTE CONTROL LEVER (TYPE M3, #0157-)	#0157 -	2014. 12.31 REV.14M
4123	REMOTE CONTROL LEVER (TYPE 4)		2014. 6.30 REV.14F
4125	DOZER CONTROL LEVER		
4126	REMOTE CONTROL LEVER (TYPE M7, -#0156)	- #0156	2014. 12.31 REV.14M
4128	REMOTE CONTROL LEVER (TYPE M9, NOT USED)		2014. 12.31 REV.14M
4129	DOZER CONTROL LEVER		
4130	REMOTE CONTROL PEDAL		
4150	TRAVEL MOTOR (1/2)		2014. 7.31 REV.14G
4160	TRAVEL MOTOR (2/2)		2014. 7.31 REV.14G
4170	TRAVEL REDUCTION GEAR		2014. 7.31 REV.14G
4180	TURNING JOINT		2013. 7.31 REV.13G
4190	TURNING JOINT(R180LCD-9)		2013. 7.31 REV.13G
4200	BOOM CYLINDER		2014. 1.31 REV.14A
4205	BOOM CYLINDER(ADJUST BOOM)	#0004 -	2014. 1.31 REV.14A
4210	ARM CYLINDER		2014. 1.31 REV.14A
4220	BUCKET CYLINDER		2014. 1.31 REV.14A
4230	DOZER BLADE CYLINDER(-#0024)	- #0024	2011.12.31 REV.11M
4231	DOZER BLADE CYLINDER(#0025-)	#0025 -	2011.12.31 REV.11M
4240	SOLENOID VALVE(-#0039)	- #0039	2011. 3.31 REV.11C
4241	SOLENOID VALVE(#0040-)	#0040 -	2016. 2.29 REV.16B
4250	ADJUST CYLINDER	#0004 -	2014. 4.30 REV.14D
4300	SINGLE PEDAL(DOUBLE ACTING)		2011.2.28 REV.11B
4400	QUICK CLAMP(HOOK TYPE 1)		

4410	QUICK CLAMP(CLOSE TYPE 1, -#0102)		
4420	QUICK CLAMP(HOOK TYPE 2, -#0102)		
4430	QUICK CLAMP(CLOSE TYPE 2, -#0102)		
4435	QUICK CLAMP CYLINDER(-#0102)		
4500	QUICK CLAMP(HOOK TYPE, #0103-)		
4510	QUICK CLAMP(CLOSED TYPE, #0103-)		
4600	BREAKER ASSY(1/2)		
4610	BREAKER ASSY(2/2)		
4620	BREAKER AUTO GREASE UNIT(OPT)		
4630	BREAKER CENTRAL GREASE SUPPLY UNIT(OPT)		
5	UNDERCARRIAGE		
5010	UNDERCARRIAGE MOUNTING		2012.6.30 REV.12F
5020	LOWER ROLLER		2013. 4.30 REV.13D
5030	UPPER ROLLER		
5040	ADJUST COMPONENT		2015. 1.31 REV.15A
5050	IDLER		2013. 4.30 REV.13D
5060	TRACK CHAIN		2011.3.31 REV.11C
6	STRUCTURE		
6010	CAB MOUNTING		2012.5.31 REV.12E
6020	CAB ASSY(1/4)		2014. 6.30 REV.14F
6025	CABIN A/S KIT		2010.10.31 REV.10K
6030	CAB ASSY(2/4)		2014. 12.31 REV.14M
6040	CAB ASSY(3/4)		2014. 12.31 REV.14M
6050	CAB ASSY(4/4, DOOR)		2015. 11.30 REV.15L
6080	CAB INTERIOR 1		2010.12.31 REV.10M
6090	CAB INTERIOR 2		2012.5.31 REV.12E
6100	CAB INTERIOR 3		2013. 6.30 REV.13F
6110	CONSOLE BOX 1(LH)		2011.12.31 REV.11M
6120	CONSOLE BOX 2(LH)		
6130	CONSOLE BOX 3(RH)		2012.5.31 REV.12E
6140	SEAT BASE ASSY		2010. 9.30 REV.10J
6150	SEAT(SUSPENSION, HEATED, STD)		
6152	SEAT(SUSPENSION)		
6154	SEAT(SUSPENSION, 2"AIR RIDE, HEATED)		
6156	SEAT(SUSPENSION, 2"AIR RIDE)		
6160	STORAGE BOX ASSY		
6170	BOTTOM PLATE MOUNTING		2013. 7.31 REV.13G
6200	COWLING 1		2014. 2.28 REV.14B
6210	COWLING 2		2014. 6.30 REV.14F
6220	SIDE COWL ASSY (LH)		2014. 2.28 REV.14B
6230	SIDE COVER ASSY (LH)		2009. 11.30 REV.9L
6240	SIDE COWL ASSY (RH)		2014. 10.31 REV.14K
6250	ENGINE HOOD		2011. 8.31 REV.11H
6260	UNDER COVER		2014. 7.31 REV.14G
6270	TOOL BOX MOUNTING		2012.6.30 REV.12F
6280	TOOL BOX		2015. 6.30 REV.15F
6300	GROMMET GROUP		2014.12.31 REV.14M
6400	UPPER FRAME & COUNTERWEIGHT		2015. 12.31 REV.15M
6410	LOWER FRAME & COVER		2016. 2.29 REV.16B
6420	SWING RING GREASE LUB SYSTEM		2014. 7.31 REV.14G
6430	DOZER BLADE(R18LCD-9)	#0004 -	2010. 9.30 REV.10J
7	ATTACHMENT		
7010	BOOM MOUNTING (5.1M, STD)		2015. 9.30 REV.15J
7050	BOOM MOUNTING (ADJUST BOOM)	#0004 -	2015. 9.30 REV.15J
7100	BOOM (5.1M, STD)		2015. 12.31 REV.15M
7150	ADJUST BOOM	#0004 -	2015. 12.31 REV.15M
7200	ARM		2016. 1.31 REV.16A
7300	BUCKET CONTROL GROUP		2015. 12.31 REV.15M
7400	BUCKET (5 TEETH)		2015. 7.31 REV.15G

7410	BUCKET(3 TEETH)		2013. 1.31 REV.13A
7420	BUCKET(4 TEETH)		2013. 1.31 REV.13A
7430	BUCKET (6 TEETH)		2015. 7.31 REV.15G
7440	BUCKET(0.69M3 SAE HEAPED, HEAVY DUTY)		
7460	BUCKET(0.75M3 SAE HEAPED D/CLEANING)		2009. 11.30 REV.9L
8	OTHERS		
8010	TOOLS		
8050	HCE-DT KIT		2010. 2.28 REV.10B
8100	DECALS		2014. 9.30 REV.14J
9	ENGINE BASE		
9010	CYLINDER HEAD		
9020	VALVE MECHANISM		
9030	ROCKER COVER		
9040	CAMSHAFT		
9050	CRANKCASE		
9060	LIFTING EYE		
9070	MAIN BEARING		
9080	TIMING GEAR CASE 1		
9090	WATER PUMP		
9100	TIMING GEAR CASE 2		
9110	FLYWHEEL HOUSING		
9120	OIL PAN		
9130	PISTON		
9140	CONNECTING ROD		
9150	CRANKSHAFT & PULLEY		
9160	FLYWHEEL		
9170	TIMING GEAR		
9180	INLET SYSTEM		
9190	EXHAUST SYSTEM		
9200	TURBOCHARGER		
9210	TURBOCHARGER PIPING		
9220	OIL STRAINER		
9230	OIL COOLER		
9240	OIL FILTER		
9250	BREATHER		
9260	WATER PUMP PULLEY & V-VELT		
9270	COOLING SYSTEM		
9280	FUEL SYSTEM		
9290	FUEL FILTER		
9300	INJECTION PUMP GENERAL		
9310	STARTER (24V-5KW)		
9320	AIR HEATER & WIRE		
9330	ALTERNATOR(GENERAL)		
9340	ALTERNATOR (24V-50A)		
9350	ENGINE CONTROL		
9360	INSTRUMENT 1		
9380	INSTRUMENT 3		

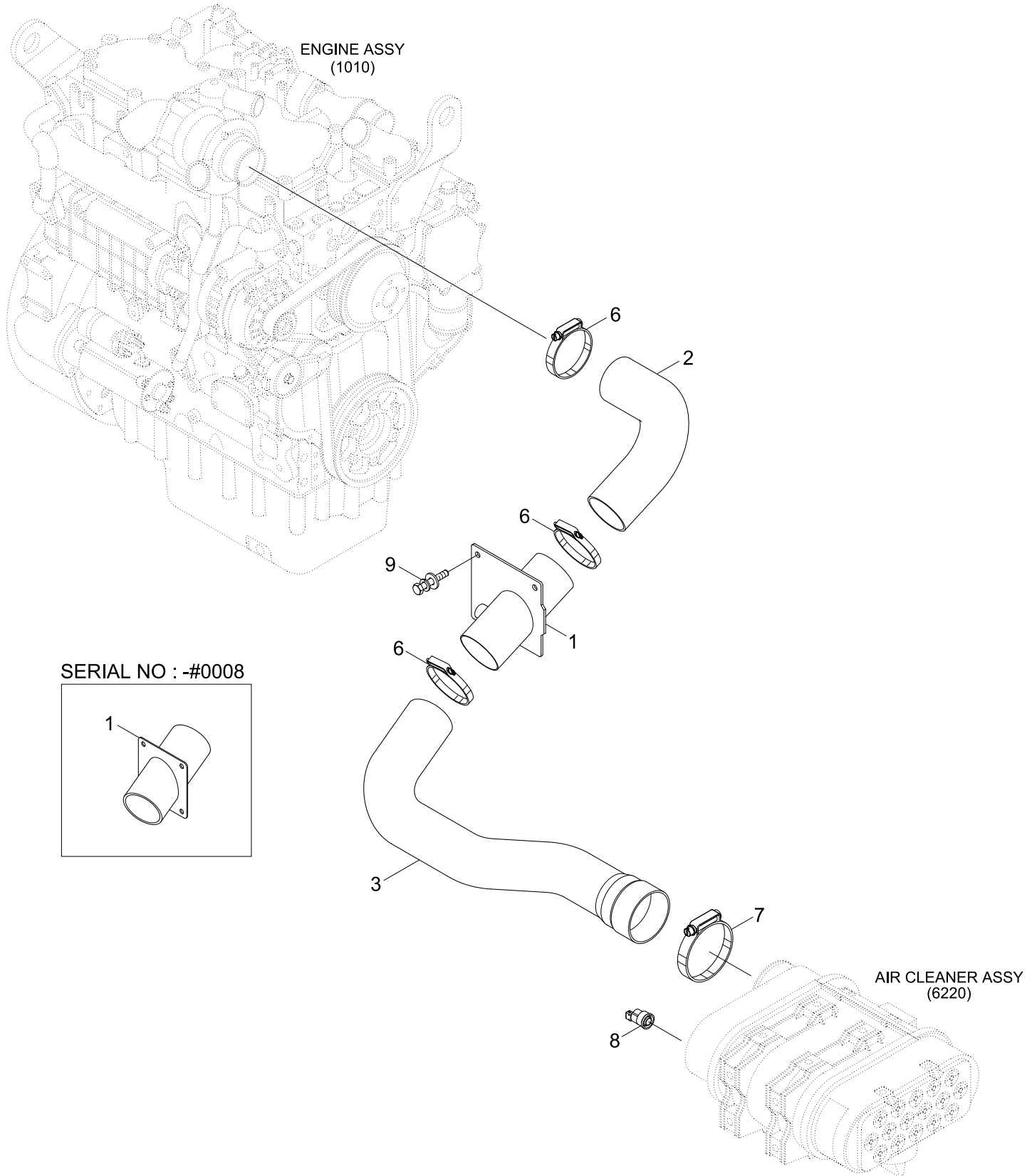
ENGINE MOUNTING



Item	Part_No	IS	Ord	T	Description	Qty	Serial_No	ITC	Remark
1	11Q5-00011				ENGINE ASSY	1			STD
1	11Q5-00030				ENGINE ASSY	1	#0103 -		TPEM+EU FLYX
2	11Q4-00120				BRACKET	1			
3	11Q4-00130				BRACKET	2			
4	11Q4-00110				BRACKET-COMP	1			
5	11Q6-00360				FAN CLUTCH ASSY	1	-		
5	11Q6-00361				FAN CLUTCH ASSY	1	#0156 #0157 -	A	
5-1	11Q6-01190				.CLUTCH-FAN	1			
5-2	11Q6-01230				.FAN-COOLING	1			
5-3	S285-081006				.NUT-FLANGED	6			
6	11N4-00060-I				WASHER-MOUNT	2			
7	11Q4-10450				RUBBER-MOUNT	4			YELLOW
8	11Q4-10460				RUBBER-MOUNT	4			WHITE
9	11N4-00160				NUT-STOPPER	4			
10	11Q4-04000				SPACER	1			
11	S017-20135D				BOLT-HEX	4			
12	S037-123056				BOLT-W/WASHER	16			

Item	Part_No	IS	Ord	T	Description	Qty	Serial_No	ITC	Remark
13	S403-10000B				WASHER-PLAIN	4			
14	S441-200006				WASHER-HARDENED	2			
15	S109-100206				BOLT-SOCKET	4			
16	S027-100306				BOLT-MINI HEX	4			
17	S411-100006				WASHER-SPRING	4			

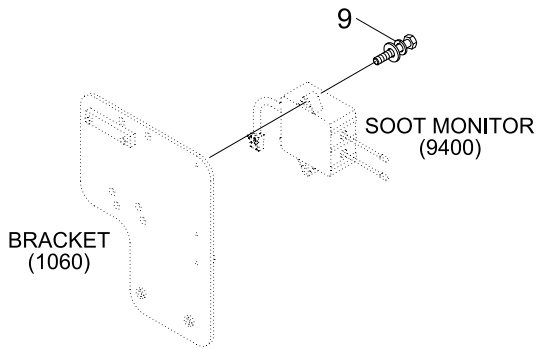
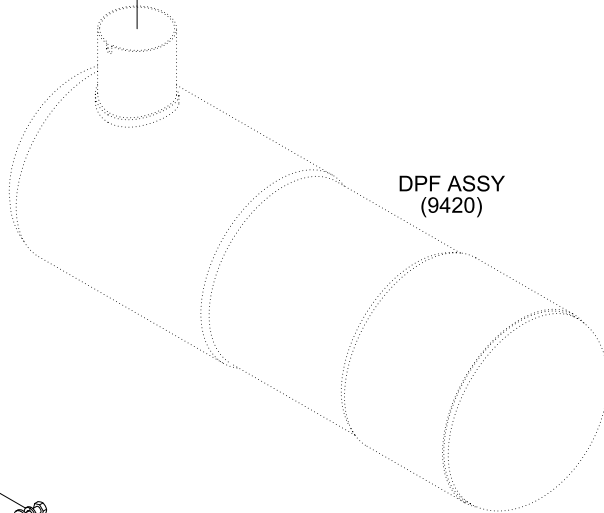
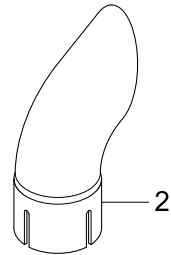
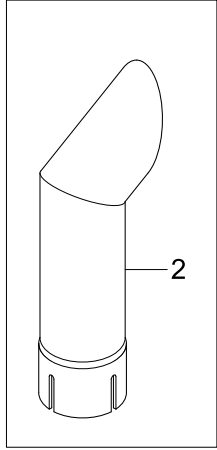
AIR INTAKE SYSTEM



Item	Part_No	IS	Ord	T	Description	Qty	Serial_No	ITC	Remark
1	11Q4-24120				PIPE	1	- #0008		
1	11Q4-24121				PIPE	1	#0009 -	D	
2	11Q4-24130				HOSE	1			
3	11Q5-24150				HOSE	1	- #0002		
3	11Q5-24170				HOSE-AIR CLEANER	1	#0003 -	B	
6	11LF-50940				CLAMP-HOSE	3			
7	11LB-40220				CLAMP-T BOLT	1			
8	11FG-20110				SENSOR-AIR CLEANER	1	- #0002		
8	11Q4-21010				INDICATOR	1	#0003 -	D	
9	S035-082526				BOLT-W/WASHER	4	- #0008		
9	S035-082526				BOLT-W/WASHER	3	#0009 -	A	

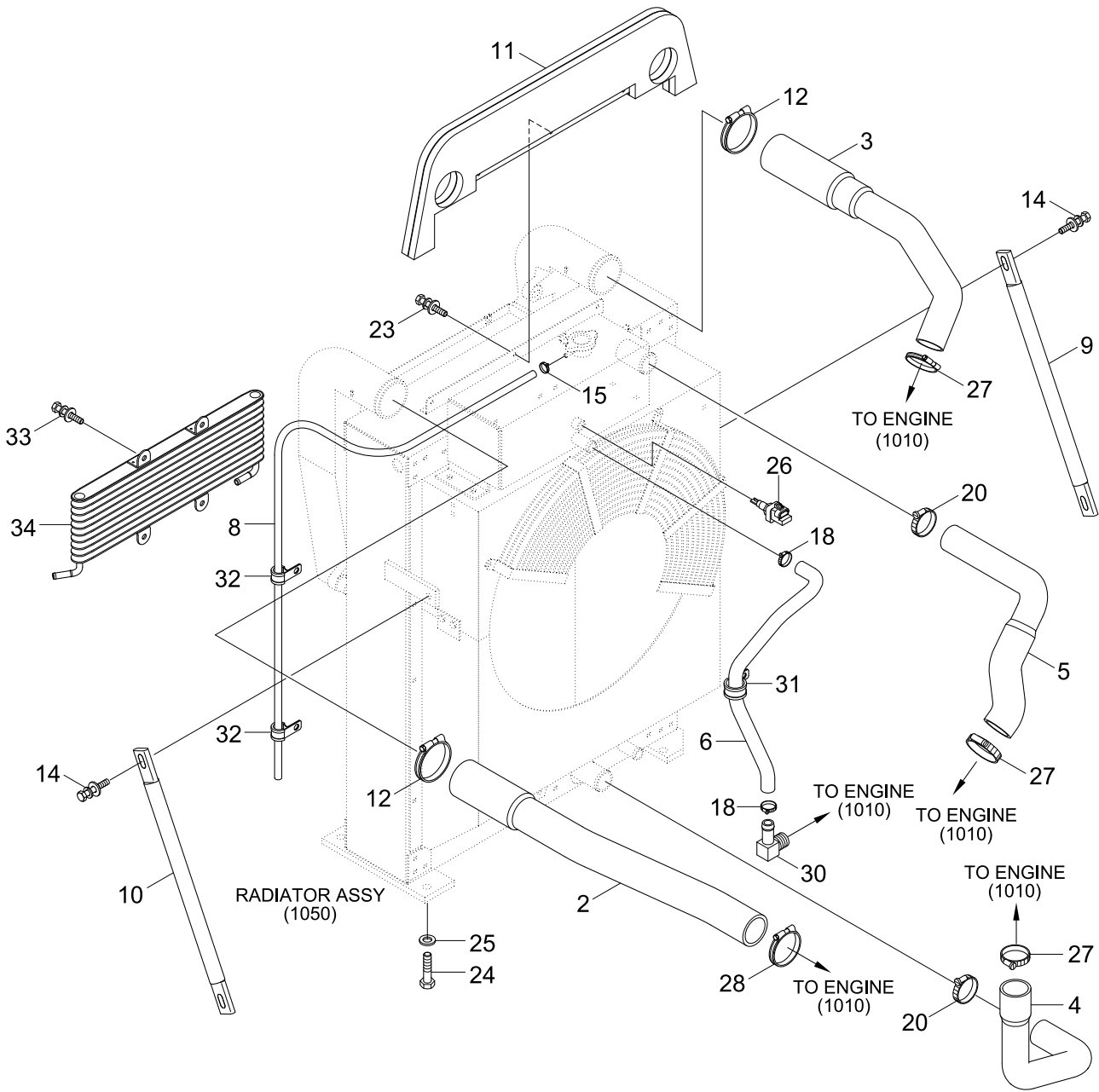
EXHAUST SYSTEM

SERIAL NO : #0002

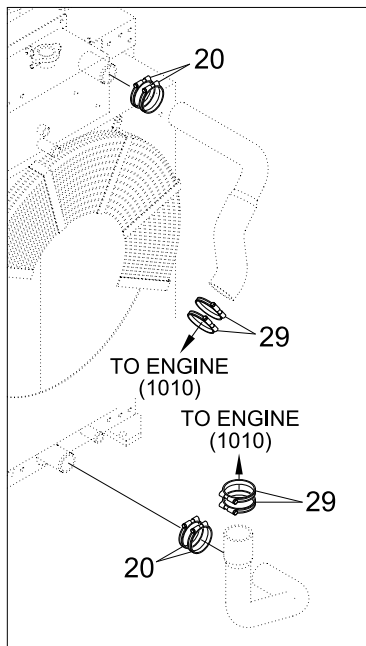


Item	Part_No	IS	Ord	T	Description	Qty	Serial_No	ITC	Remark
2	11Q4-35170				PIPE WA-TAIL	1			
3	11LP-55040				CLAMP-ACCUSEAL	1			
9	S035-052026				BOLT-W/WASHER	2			

COOLING SYSTEM



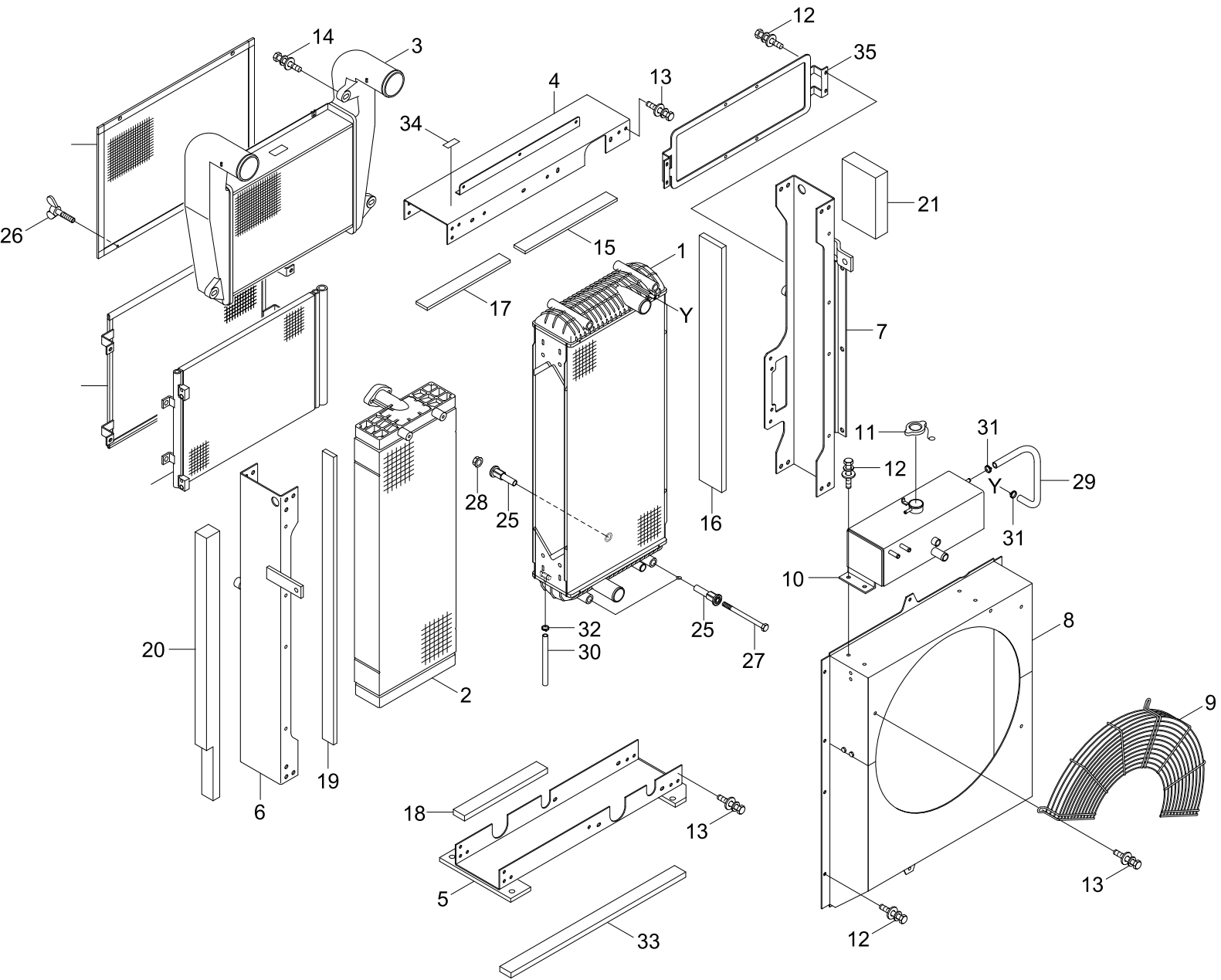
SERIAL NO : -#0002



HHI Construction Equipment ::: e-Catalogue

Item	Part_No	IS	Ord	T	Description	Qty	Serial_No	ITC	Remark
2	11Q4-47710				HOSE-CAC	1			
3	11Q4-47590				HOSE-CAC	1			
4	11Q4-47560				HOSE	1			
5	11Q4-47760				HOSE	1			
6	11QA-43600				HOSE-BEND	1			
8	11EG-40400				HOSE-INLET	1			
9	11Q6-41170				STAY	1			
10	11Q4-44210				ROD ASSY	1			
11	11Q4-47390				SCREEN ASSY	1			
12	11Q4-44320				CLAMP	2			
14	S037-123056				BOLT-W/WASHER	4			
15	S520-017000				CLAMP-HOSE	2			
18	S572-340006				CLAMP-HOSE , WIRE TYPE	2			
20	S572-590006				CLAMP-HOSE , WIRE TYPE	4	-		
20	11Q4-44370				CLAMP	2	#0003 -	B	
23	S035-082056				BOLT-W/WASHER	3			
24	S017-160406				BOLT-HEX	4			

Item	Part_No	IS	Ord	T	Description	Qty	Serial_No	ITC	Remark
25	S441-160006				WASHER-HARDENED	4			
26	YUBP-02758				SENSOR-COOLANT LEVEL	1			
27	11Q4-44300				CLAMP	1	- #0002		
27	11Q4-44300				CLAMP	3	#0003 -	A	
28	11Q4-44310				CLAMP	1			
29	S572-690006				CLAMP-HOSE,WIRE TYPE	4	- #0002		
30	11Q4-01250				CONNECTOR	1			
31	31L7-10230				CLAMP-TUBE	1			
32	31L7-10190				CLAMP-TUBE	2			
33	S035-082026				BOLT-W/WASHER	4			
34	11Q6-50200				COOLER-FUEL	1			

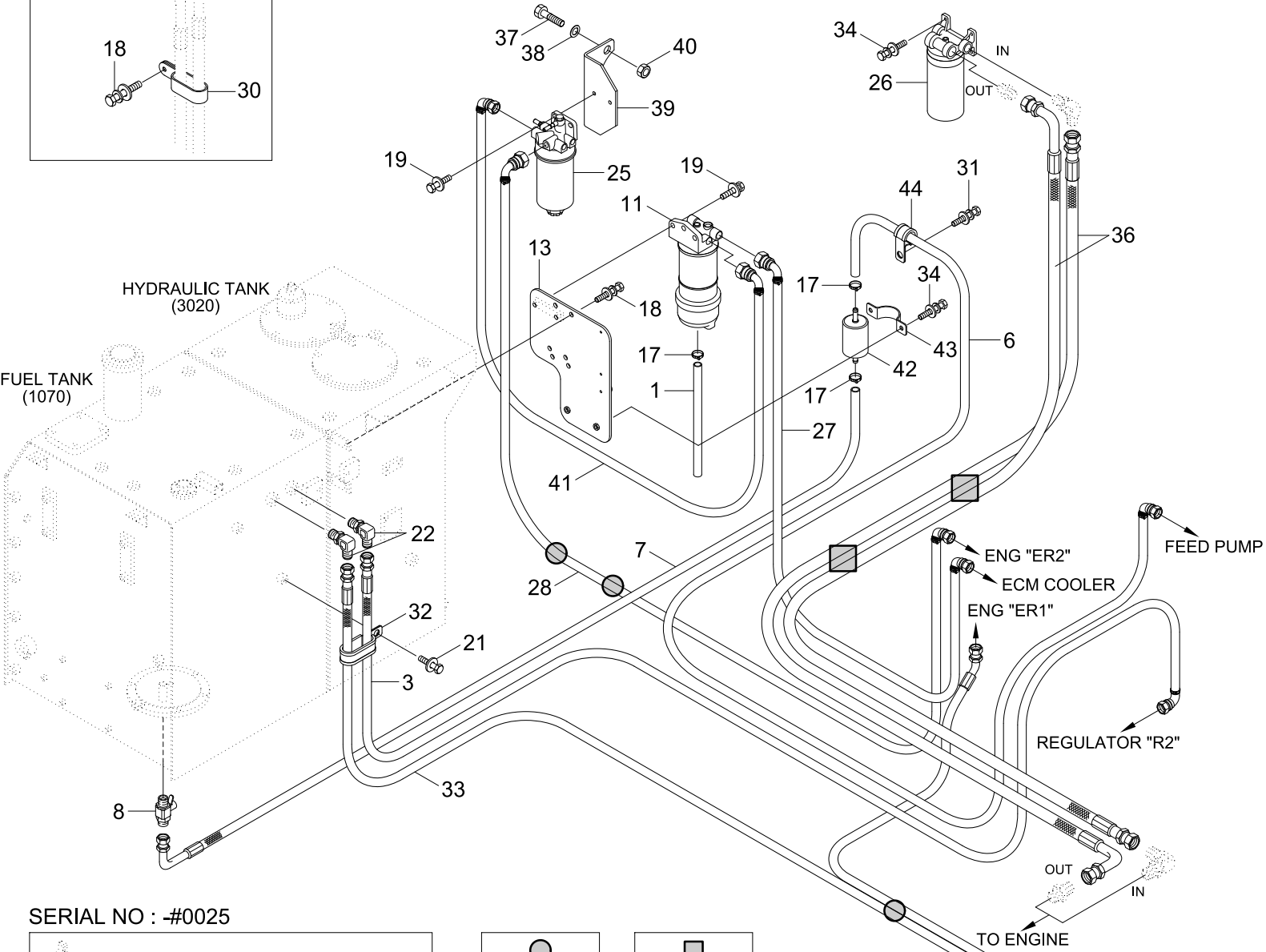
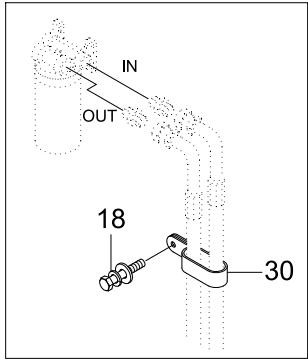


Item	Part_No	IS	Ord	T	Description	Qty	Serial_No	ITC	Remark
*	11Q5-44101				RADIATOR TOTAL ASSY	1			
1	11Q5-44110				.RADIATOR ASSY	1			
2	11Q4-47122				.OIL COOLER ASSY	1			
3	11Q4-42401				.CHARGE AIR COOLER	1			
4	AC102645				.SUPPORT ASSY-TOP	1			
5	AC110971				.SUPPORT ASSY-BOTTOM	1			
6	AC111304				.SUPPORT ASSY-LEFT	1			
7	AC110870				.SUPPORT ASSY-RIGHT	1			
8	AC102520				.SHROUD ASSY	1			
9	AC102650				.GUARD-FAN	1			
10	AC105844				.TANK ASSY-SURGE	1			
11	2ARO754E91				.CAP ASSY	1			
12	AA000003				.BOLT-W/WASHER	27			
13	AC100938				.BOLT-W/WASHER	27			
14	AC102374				.BOLT ASSY	4			
15	AC101421				.BOLT-W/WASHER	4			
16	AC102652				.SEALING-RAD , TANK	2			

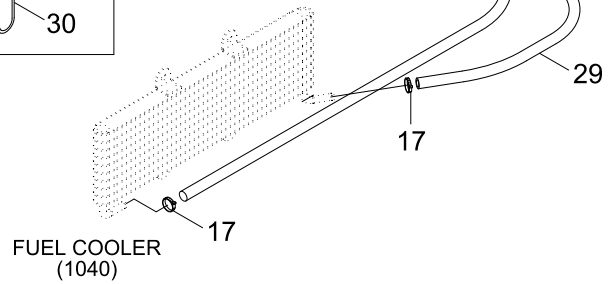
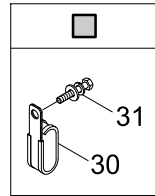
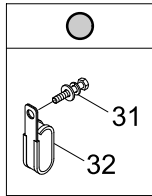
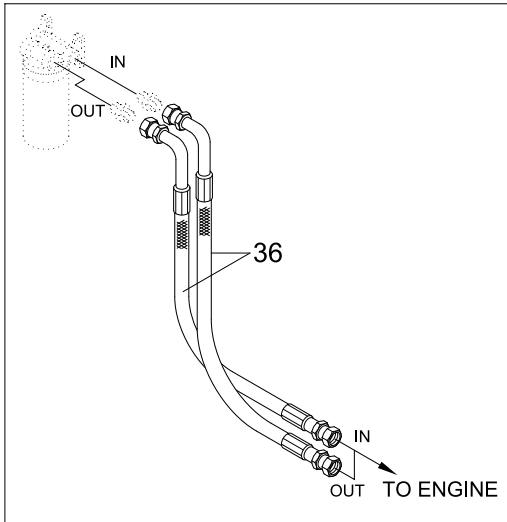
Item	Part_No	IS	Ord	T	Description	Qty	Serial_No	ITC	Remark
17	AC110972				.SEALING-RAD , SIDE	2			
18	AC102654				.SEALING-OC , TANK TOP	1			
19	AC102655				.SEALING-OC , TANK BOTTOM	1			
20	AC102656				.SEALING-OC , SIDE	1			
21	AC110869				.SEALING-LH	1			
22	AC102658				.SEALING-RH	1			
23	A2W01433				.CONDENSER ASSY	1			
24	AC101278				.NET-WIRE A	1			
25	AC101279				.NET-WIRE B	1			
26	5A0756400003				.ISOLATOR	8			
N27	AC101316				.BOLT-WING	4			NOT
28	9A065908				.BOLT	4			
29	9A065508				.NUT-LOCKING	4			
30	AD800237				.WASHER	4			
31	AC102659				.HOSE-OVER FLOW	1			
32	AC101429				.HOSE-DRAIN	1			
33	AC101458				.CLIP-HOSE	2			

Item	Part_No	IS	Ord	T	Description	Qty	Serial_No	ITC	Remark
34	AC100734				.CLIP-HOSE	2			
N35	AC105237				.NAME PLATE	1			NOT
36	AC111303				.BRACKET-FUEL COOLER	1			

SERIAL NO : -#0008



SERIAL NO : -#0025



Diesel Engines

Machinery

ABS	Agco-Sisu
Akasaka	Baudouin
BMW	Bukh
Caterpillar	CHN 25/34
Cummins	Daihatsu
Detroit	Deutz
Doosan-Daewoo	Fiat
Ford	GE
Grenaa	Guascor
Hanshin	Hatz
Hino	Honda
Hyundai	Isotta
Isuzu	Iveco
John-Deere	Kelvin
Kioti	Komatsu
Kubota	Liebherr
Lister	Lombardini
MAK	MAN B&W
Mercedes	Mercruiser
Mirrlees BS	Mitsubishi
MTU	MWM
Niigata	Paxman
Perkins	Pielstick
Rolls / Bergen	Ruggerini
Ruston	Scania
Shibaura	Sisu-Valmet
SKL	Smit-Bolnes
Sole	Stork
VM-Motori	Volvo
Volvo Penta	Westerbeke
Wichmann	Yanmar

Drott	Dynapack
Extec	Faun
Fendt	Fiat
Fiatallis	Flexicoil
Furukawa	Gehl
Genie	Grove-gmk
Halla	Hamm
Hangcha	Hanix
Hanomag	Hartl
Haulpack	Hiab
Hidromek	Hino truck
Hitachi	Hyster
Hyundai	IHI
Ingersoll-rand	JCB
JLG	John-Deere
Jungheinrich	Kalmar
Kato	Kioti
Kleeman	Kobelco
Komatsu	Kramer
Kubota	Lamborghini
Landini	Liebherr
Linde	Link-belt
Manitou	Massey-Ferg.
Mccormick	MDI-Yutani
Mitsubishi	Moxy
Mustang	Neusson
New-Holland	Nichiyu
Nissan	OK
OM-Pimespo	others-tech
Pel-Job	PH-mining
Poclain	Powerscreen

Machinery

ABG	Airman
Akerman	Ammann
Astra	Atlas Copco
Atlas Weyha.	Atlet
Bell	Bendi
Bigjoe	Bobcat
Bomag	BT
Carelift	Case
Caterpillar	Cesab
Challenger	Champion
Claas	Clark
Combilift	Crown
Daewoo-Doosan	Demag
Deutz-Fahr	Dressta

Same	Samsung
Sandvik	Scania
Schaefer	Schramm
Sennebogen	Shangli
Shibaura	Steiger
Steinbock	Steyr
Still	Sumitomo
Super-pac	Tadano
Takeuchi	TCM
Terex	Toyota
Valpadana	Venieri
Versatile	Vogele
Volvo	Weidemann
Wirtgen	Yale
YAM	Yanmar