

SERVICE MANUAL

Ralex 15-7

SER. NO. HY1570001~

 **HYUNDAI**
HEAVY INDUSTRIES CO.,LTD.

INTRODUCTION

To insure a long life for the machine and the engine and to prevent failure and problems, proper operation, maintenance and repairs are indispensable.

This service manual includes an “outline,” “structure and operation,” “inspection and adjustment,” “disassembly and assembly,” “standard maintenance,” and “repair and replacement of parts” of the machine which are necessary to carry out the inspections and repairs in the repair shop.

We hope that this manual helps you to efficiently and effectively carry out repairs by providing an accurate description of the product and the correct repair techniques.

CONTENTS

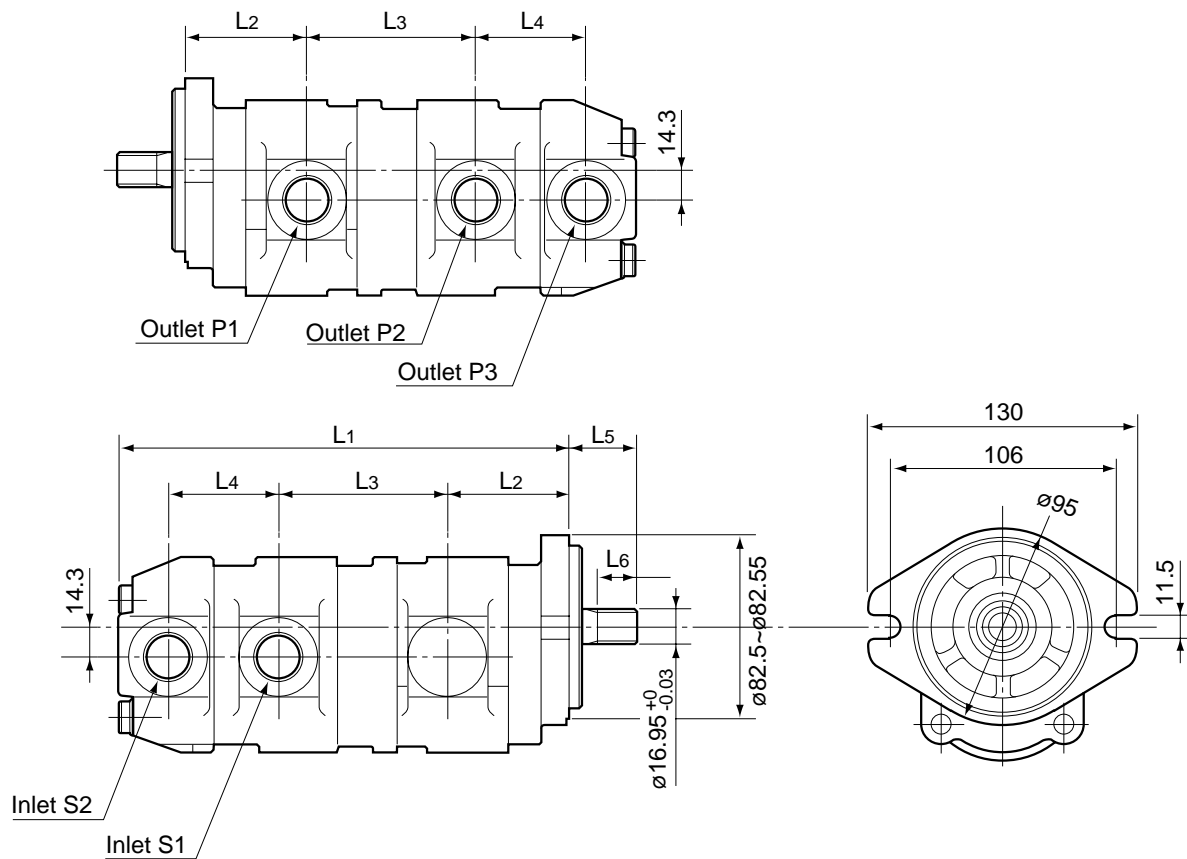
1. Precautions on Maintenance
2. Outline
3. Attachment
4. Engine
5. Main Pump
6. Hydraulic Oil Filter
7. Control Valve
8. Joystick
9. Slew Motor
10. Travelling Motor
11. Hydraulic Cylinder
12. Swivel Joint
13. Crawler
14. Spring Case and Grease Cylinder
15. Idler
16. Sprocket
17. Track Roller
18. Electrical Equipment
19. Troubleshooting

5 MAIN PUMP

CONTENTS

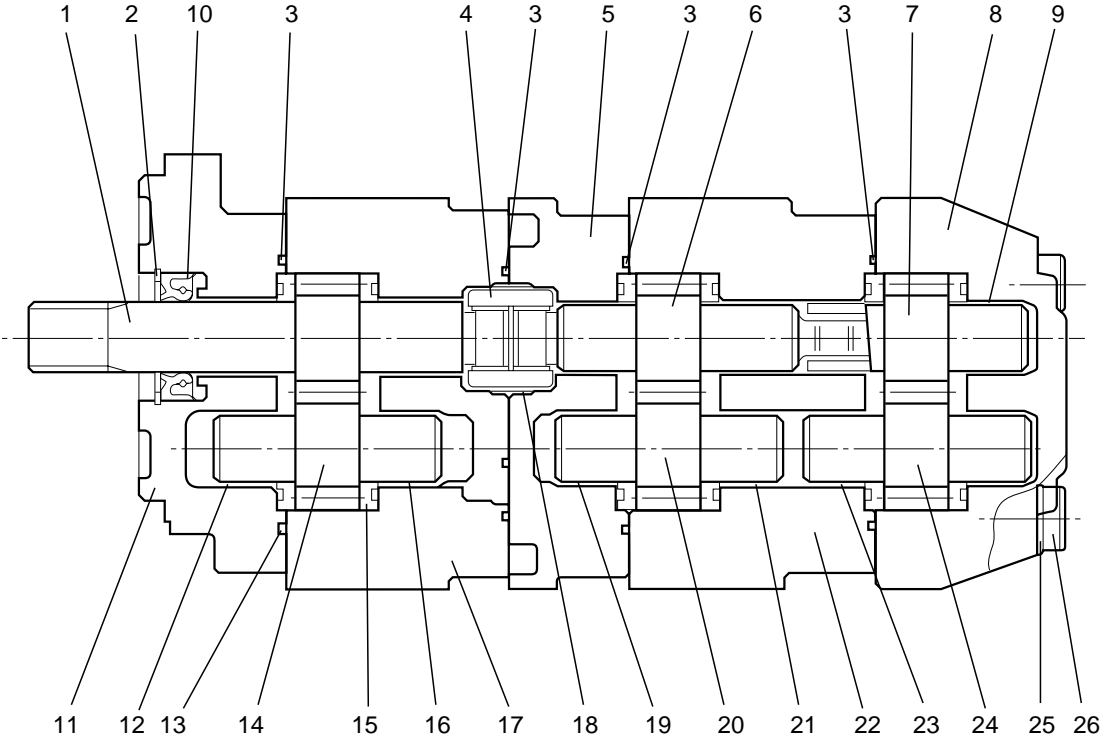
- 5-1 Specification
- 5-2 Structure
- 5-3 Removing and installing the pump
 - 5-3-1 Removing the pump
 - 5-3-2 Installing the pump
- 5-4 Performance test of the hydraulic pump
 - 5-4-1 Measuring instrument
 - 5-4-2 Preparation
 - 5-4-3 Connecting tester
 - 5-4-4 Measuring procedure

5-1 Specification



pump type		YPT2A656565A2H9-R
Port size	S1	PF3/4
	S2	PF3/4
	P1	PF3/8
	P2	PF3/8
	P3	PF3/8
L1		223mm
L2		58.5mm
L3		84.5mm
L4		53.5mm
L5		36mm
L6		21mm
Displacement(rev)	P1	6.54cc
	P2	6.54cc
	P3	6.54cc
Rated pressure		18.6MPa(190kgf/cm ²)
Direction of rotation		Clockwise seen from shaft side
Weight		5.4kg

5-2 Structure



- | | | |
|------------------|-----------------|--------------------------------|
| 1. Driven gear | 10. Oil seal | 19. Bush |
| 2. Snap ring | 11. Front cover | 20. Driven gear |
| 3. Gasket | 12. Bush | 21. bush |
| 4. Coupling | 13. Gasket | 22. Body |
| 5. Adaptor plate | 14. Driven gear | 23. Bush |
| 6. Driven gear | 15. Slide plate | 24. Driven gear |
| 7. Driven gear | 16. Bush | 25. Washer |
| 8. Body | 17. Body | 26. Hexagonal socket head bolt |
| 9. Bush | 18. Collar | |

5-3 Removing and installing the pump

5-3-1 Removing the pump

1. Remove the nipple, TEE, elbow and hoses around the pump. Attach a cap to the removed hoses to keep dust off. Store the nipples and elbows in treated oil.
2. Remove the pump mounting bolts(1).
3. Remove the pump from the flange 2. If removal is difficult, insert a screwdriver and remove the pump little by little with equal force applied on the right and left sides.

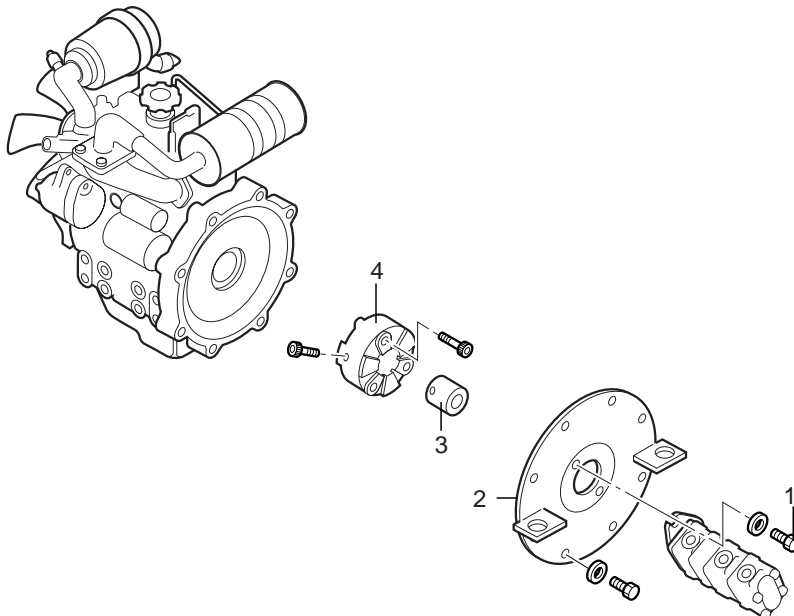
5-3-2 Installing the pump

1. Replace with a new pump and install it on the pump flange 2. Check that the spline of the shaft fits smoothly with the boss of the coupling.
When tightening the bolts 1, tighten the left and right side bolts slowly and evenly.

Bolt	Tightening torque
M10 × 30ℓ	60.8 N-m(6.2kgf-m)

* Precautions on installing the pump

1. When tightening the coupling boss 3, be careful so that coupling 4 does not tilt.
Note) Make sure there is no misalignment.



Diesel Engines

ABS	Agco-Sisu
Akasaka	Baudouin
BMW	Bukh
Caterpillar	CHN 25/34
Cummins	Daihatsu
Detroit	Deutz
Doosan-Daewoo	Fiat
Ford	GE
Grenaa	Guascor
Hanshin	Hatz
Hino	Honda
Hyundai	Isotta
Isuzu	Iveco
John-Deere	Kelvin
Kioti	Komatsu
Kubota	Liebherr
Lister	Lombardini
MAK	MAN B&W
Mercedes	Mercruiser
Mirrlees BS	Mitsubishi
MTU	MWM
Niigata	Paxman
Perkins	Pielstick
Rolls / Bergen	Ruggerini
Ruston	Scania
Shibaura	Sisu-Valmet
SKL	Smit-Bolnes
Sole	Stork
VM-Motori	Volvo
Volvo Penta	Westerbeke
Wichmann	Yanmar

Machinery

ABG	Airman
Akerman	Ammann
Astra	Atlas Copco
Atlas Weyha.	Atlet
Bell	Bendi
Bigjoe	Bobcat
Bomag	BT
Carelift	Case
Caterpillar	Cesab
Challenger	Champion
Claas	Clark
Combilift	Crown
Daewoo-Doosan	Demag
Deutz-Fahr	Dressta

Machinery

Drott	Dynapack
Extec	Faun
Fendt	Fiat
Fiatallis	Flexicoil
Furukawa	Gehl
Genie	Grove-gmk
Halla	Hamm
Hangcha	Hanix
Hanomag	Hartl
Haulpack	Hiab
Hidromek	Hino truck
Hitachi	Hyster
Hyundai	IHI
Ingersoll-rand	JCB
JLG	John-Deere
Jungheinrich	Kalmar
Kato	Kioti
Kleeman	Kobelco
Komatsu	Kramer
Kubota	Lamborghini
Landini	Liebherr
Linde	Link-belt
Manitou	Massey-Ferg.
Mccormick	MDI-Yutani
Mitsubishi	Moxy
Mustang	Neusson
New-Holland	Nichiyu
Nissan	OK
OM-Pimespo	others-tech
Pel-Job	PH-mining
Poclain	Powerscreen
Same	Samsung
Sandvik	Scania
Schaefer	Schramm
Sennebogen	Shangli
Shibaura	Steiger
Steinbock	Steyr
Still	Sumitomo
Super-pac	Tadano
Takeuchi	TCM
Terex	Toyota
Valpadana	Venieri
Versatile	Vogele
Volvo	Weidemann
Wirtgen	Yale
YAM	Yanmar