

PARTS CATALOG

**CRAWLER EXCAVATOR
HX380 L**

HYUNDAI

Use the bookmarks for navigation inside the Parts book

CONTENTS

Crawler Excavator HX380 L

Page	Contents	Serial_No	Revision_No
1	ENGINE SYSTEM		
1010	ENGINE MOUNTING		2015. 12.31 REV.15M
1015	FAN DRIVE SYSTEM		
1020	AIR INTAKE SYSTEM		
1030	EXHAUST SYSTEM (-#0005)	- #0005	2015. 9.30 REV.15J
1031	EXHAUST SYSTEM (#0006-)	#0006 -	2015. 12.31 REV.15M
1040	COOLING SYSTEM		2015. 10.31 REV.15K
1045	RADIATOR ASSY		2016. 1.31 REV.16A
1050	OIL COOLER ASSY		2015. 5.31 REV.15E
1055	FAN MOTOR		
1060	FUEL SYSTEM		2016. 2.29 REV.16B
1070	FUEL TANK		2016. 2.29 REV.16B
1080	DEF SUPPLY SYSTEM		2015. 9.30 REV.15J
1090	AIRCON & HEATER GROUP		
1100	AIR CONDITIONER BOTTOM SUB		
1110	AIRCON & HEATER UNIT		
2	ELECTRIC SYSTEM		
2010	ELECTRIC 1		2016. 1.31 REV.16A
2020	ELECTRIC 2		2015. 6.30 REV.15F
2025	ELECTRIC 3		2015. 12.31 REV.15M
2030	BOOM ELECTRIC		
2040	ENGINE ELECTRIC		2016. 1.31 REV.16A
2050	ELECTRIC BOX		2016. 1.31 REV.16A
2060	CAB ELECTRIC 1		2015.10.31 REV.15K
2070	CAB ELECTRIC 2		2015. 11.30 REV.15L
2075	CLUSTER		
2080	CAB ROOM ELECTRIC		2015. 7.31 REV.15G
2090	BOTTOM ELECTRIC		2015. 7.31 REV.15G
2100	FUEL FILLER PUMP		
2110	FUSE BOX		
3	HYDRAULIC SYSTEM		
3010	PUMP MOUNTING		
3020	HYDRAULIC TANK		2016. 2.29 REV.16B
3100	UPPER HYD PIPING (BASE)		2015. 5.31 REV.15E
3110	UPPER HYD PIPING (ATTACH)		
3120	UPPER HYD PIPING (TRAVEL)		2015. 5.31 REV.15E
3130	UPPER HYD PIPING (BOOM FLOATING 1)		2015. 8.31 REV.15H
3140	UPPER HYD PIPING (BOOM FLOATING 2)		2015. 5.31 REV.15E
3200	PILOT HYD PIPING (CONTROL 1)		2015. 3.31 REV.15C
3210	PILOT HYD PIPING (CONTROL 2)		2015. 3.31 REV.15C
3220	PILOT HYD PIPING (CONTROL 3)		2015. 8.31 REV.15H
3225	PILOT HYD PIPING (2-PATTERN CHANGE)		2015. 3.31 REV.15C
3230	PILOT HYD PIPING (BASE 1)		2015. 12.31 REV.15M
3240	PILOT HYD PIPING (BASE 2)		2015. 3.31 REV.15C
3250	PILOT HYD PIPING (BASE 3)		2015. 3.31 REV.15C
3260	PILOT HYD PIPING (ONE PEDAL STRAIGHT)		2015. 3.31 REV.15C
3300	TRAVEL HYD PIPING		2015. 4.30 REV.15D
3400	BOOM HYD PIPING		2016. 1.31 REV.16A
3410	BOOM GREASE LUB SYSTEM		2016. 1.31 REV.16A
3420	BOOM SAFETY LOCK SYSTEM		2015. 12.31 REV.15M
3450	QUICK CLAMP HYD PIPING		2015. 12.31 REV.15M
3480	QUICK CLAMP (HOOK TYPE)		
3490	QUICK CLAMP (CLOSE TYPE)		

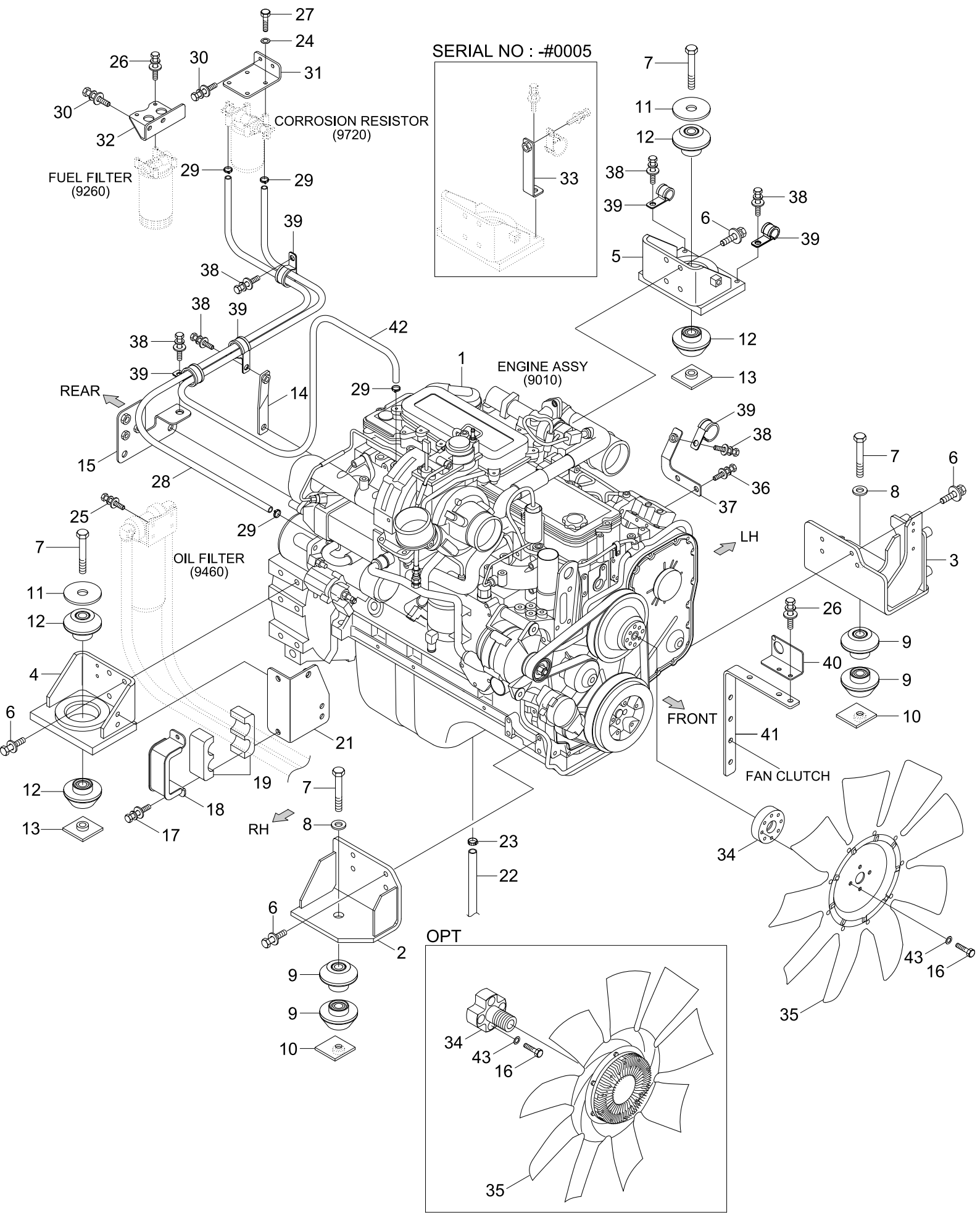
3500	ARM HYD PIPING (3.2M, STD)		
3510	ARM HYD PIPING (2.9M)		
3520	ARM HYD PIPING (4.3M)		
3580	ARM SAFETY LOCK SYSTEM		2015. 12.31 REV.15M
3620	DOUBLE ACTING MAIN PIPING KIT 1		2015. 12.31 REV.15M
3630	DOUBLE ACTING MAIN PIPING KIT 2		
3640	BOOM PIPING KIT (S & D/ACTING)		2016. 1.31 REV.16A
3645	ARM PIPING KIT (S & D/ACTING)		
3650	SINGLE PEDAL (DOUBLE ACTING)		
3700	SINGLE ACTING MAIN PIPING KIT		
4	HYDRAULIC COMPONENT		
4010	MAIN PUMP		
4020	REGULATOR (FRONT)		
4030	REGULATOR (REAR)		
4040	GEAR PUMP		
4050	MAIN CONTROL VALVE (1/4)		
4060	MAIN CONTROL VALVE (2/4)		
4070	MAIN CONTROL VALVE (3/4)		
4080	MAIN CONTROL VALVE (4/4)		
4100	SWING MOTOR		
4110	SWING REDUCTION GEAR		
4130	TRAVEL MOTOR (TYPE 1)		
4135	TRAVEL REDUCTION GEAR (TYPE 1)		
4140	TRAVEL MOTOR (TYPE 2)		
4145	TRAVEL REDUCTION GEAR (TYPE 2)		
4150	REMOTE CONTROL LEVER (TYPE L1)		
4151	REMOTE CONTROL LEVER (TYPE L2)		
4152	REMOTE CONTROL LEVER (TYPE L3)		
4153	REMOTE CONTROL LEVER (TYPE L4)		
4154	REMOTE CONTROL LEVER (TYPE L5)		
4155	REMOTE CONTROL LEVER (TYPE L6)		
4160	REMOTE CONTROL PEDAL		
4170	TURNING JOINT		
4180	BOOM CYLINDER		2015. 5.31 REV.15D
4190	ARM CYLINDER		2015. 5.31 REV.15E
4200	BUCKET CYLINDER		
4300	SOLENOID VALVE		
4400	BREAKER ASSY (1/3)		2015. 2.28 REV.15B
4410	BREAKER ASSY (2/3)		
4420	BREAKER ASSY (3/3)		
4430	BREAKER AUTO GREASE UNIT (OPT)		
4440	BREAKER CENTRAL GREASE SUPPLY UNIT (OPT)		
5	UNDERCARRIAGE		
5010	UNDERCARRIAGE MOUNTING		
5020	LOWER ROLLER		
5030	UPPER ROLLER		
5040	IDLER		
5050	TRACK CHAIN		2015. 7.31 REV.15G
5060	ADJUST COMPONENT		2014.12.31 REV.14M
6	STRUCTURE		
6010	CAB MOUNTING		2016. 1.31 REV.16A
6020	CAB ASSY (1/5, -#0005)	- #0005	2015. 9.30 REV.15J
6025	CAB A/S KIT		
6030	CAB ASSY (2/5, -#0005)	- #0005	2015. 9.30 REV.15J
6040	CAB ASSY (3/5, -#0005)	- #0005	2015. 9.30 REV.15J
6050	CAB ASSY (4/5, -#0005)	- #0005	2015. 9.30 REV.15J
6060	CAB ASSY (5/5, DOOR)		2015. 11.30 REV.15L
6080	CAB INTERIOR 1		2015. 11.30 REV.15L
6090	CAB INTERIOR 2		

6100	CAB INTERIOR 3		
6110	CONSOLE BOX 1 (LH)		2015. 5.31 REV.15D
6120	CONSOLE BOX 2 (LH)		2015. 5.31 REV.15E
6130	CONSOLE BOX (RH)		2015. 5.31 REV.15E
6140	SEAT BASE ASSY		2015. 5.31 REV.15E
6150	SEAT (1/3, SUS/AIR SUS, HEATED)		
6155	SEAT (2/3, SUS/AIR SUS, HEATED)		
6160	SEAT (3/3, SUSPENSION, HEATED, STD)		
6165	SEAT (3/3, AIR SUSPENSION, HEATED, OPT)		2016. 1.31 REV.16A
6170	BOTTOM PLATE MOUNTING		2016. 1.31 REV.16A
6200	COWLING 1 (-#0005)	- #0005	2015. 9.30 REV.15J
6210	COWLING 2 (-#0005)	- #0005	2015. 9.30 REV.15J
6220	SIDE COWL ASSY (1/2, LH)		2016. 1.31 REV.16A
6225	SIDE COWL ASSY (2/2, LH)		2016. 2.29 REV.16B
6230	SIDE COVER ASSY (LH)		2015. 11.30 REV.15L
6240	SIDE COWL ASSY (RH, -#0005)	- #0005	2015. 9.30 REV.15J
6250	ENGINE HOOD (-#0005)	- #0005	2015. 9.30 REV.15J
6260	UNDER COVER		2015. 7.31 REV.15G
6270	DEF TANK COVER & HANDRAIL		2016. 2.29 REV.16B
6280	TOOL BOX		
6300	GROMMET GROUP		
6400	UPPER FRAME & COUNTERWEIGHT		2015. 12.31 REV.15M
6410	LOWER FRAME & COVER		2016. 2.29 REV.16B
6420	SWING RING GREASE LUB SYSTEM		
7	ATTACHMENT		
7010	BOOM MOUNTING		2015. 9.30 REV.15J
7100	BOOM (6.50M, STD)		
7200	ARM (3.20M, STD)		2015. 3.31 REV.15C
7300	BUCKET CONTROL GROUP		2015. 12.31 REV.15M
7310	BUCKET (5 TEETH)		
7320	BUCKET (4 TEETH)		
7330	BUCKET (6 TEETH)		
7350	BUCKET (5 TEETH, HEAVY DUTY)		
7360	BUCKET (4 TEETH, HEAVY DUTY)		
7380	BUCKET (5 TEETH, ROCK)		
7390	BUCKET (4 TEETH, ROCK)		
8	OTHERS		
8010	TOOLS		
8050	HCE-DT KIT		
8100	DECALS		2016. 2.29 REV.16B
9	ENGINE BASE		
9010	CRANKSHAFT PULLEY		
9020	WIRE TIE CLAMP		
9030	DATAPLATE		
9040	CYLINDER BLOCK COOLANT PLUMBING		
9050	PISTON COOLING NOZZLE		
9060	CYLINDER BLOCK		
9070	CRANKSHAFT		
9080	VALVE TAPPET		
9090	FRONT GEAR HOUSING		
9100	CRANKCASE BREATHER		
9110	COOLANT HEATER STARTING AID		
9120	COOLANT HEATER STARTING AID PLUMBING		
9130	VIBRATION DAMPER		
9140	FRONT GEAR TRAIN ACCESSORY MOUNTING		
9150	DRAIN LOCATION		
9160	THERMOSRTAT		
9170	ALTERNATOR		
9180	ALTERNATOR MOUNTING		

9190	EXHAUST RECIRCULATION		
9200	EXHAUST RECIRCULATION WATER PLUMBING		
9210	EXHAUST RECIRCULATION AIR PLUMBING		
9220	FAN DRIVE MOUNTING		
9230	FAN DRIVE		
9240	FUEL DRAIN PLUMBING		
9250	FUEL FILTER PLUMBING		
9260	FUEL FILTER LOCATION		
9270	FLYWHEEL HOUSING		
9280	FUEL INLET FITTING		
9290	FUEL PUMP MOUNTING		
9300	FUEL PUMP		
9310	FUEL TRANSFER PUMP		
9320	FLYWHEEL		
9330	FLYWHEEL MOUNTING		
9340	FRONT GEAR COVER		
9350	GEAR COVER MOUNTING		
9360	CABIN HEATER PLUMBING		
9370	AUXILIARY COOLING PLUMBING		
9380	AIR INTAKE HOSE		
9390	AIR INTAKE CONNECTION		
9400	AIR INTAKE MANIFOLD		
9410	AIR TRANSFER CONNECTION		
9420	LIFTING BRACKET MOUNTING		
9430	LIFTING ARRANGEMENT		
9440	OIL FILL DECAL		
9450	ENGINE OIL COOLER		
9460	FULL FLOW OIL FILTER		
9470	OIL LEVEL GAUGE		
9480	LUBRICATING OIL PUMP		
9490	CYLINDER BLOCK COVER		
9500	OIL PAN		
9510	ACCESSORY DRIVE PULLEY		
9520	AFTERTREATMENT DEVICE		2016.1.31 REV.16A
9530	ENGINE CONTROL MODULE PLUMBING		
9540	ENGINE CONTROL MODULE		
9550	INJECTOR		
9560	CONNECTING ROD AND PISTON		
9570	CAMSHAFT		
9580	INJECTOR PLUMBING		
9590	TURBOCHARGER		
9600	CYLINDER HEAD PLUMBING		
9605	CYLINDER HEAD		
9610	REMOTE OIL DRAIN		
9620	ROCKER LEVER		
9630	ENGINE COOLANT VENT		
9640	OIL LEVEL SENSOR		
9650	HEAT SHIELD		
9660	STARTING MOTOR MOUNTING		
9670	STARTING MOTOR		
9680	EXHAUST MANIFOLD		
9690	TORQUE CONVERTER OIL COOLER		
9700	TURBOCHARGER PLUMBING		
9710	VALVE COVER		
9720	CORROSION RESISTOR		
9730	WATER INLET CONNECTION		
9740	WATER OUTLET CONNECTION		
9750	WATER PUMP DRIVE		
9760	BELT TENSIONER		

9770	WATER PUMP		
9780	ECM WIRING HARNESS		
9790	EXHAUST OUTLET CONNECTION		

ENGINE MOUNTING



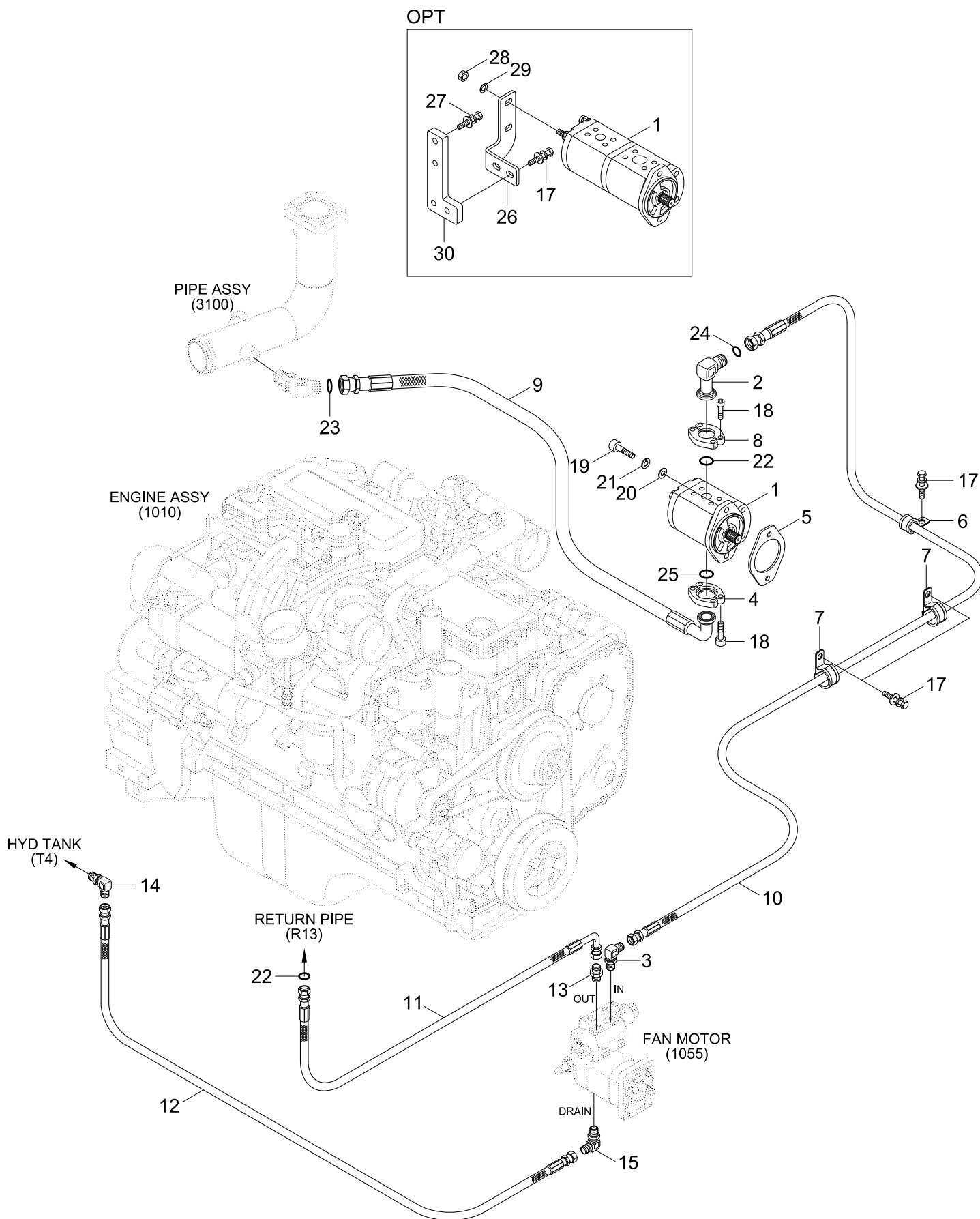
HHI Construction Equipment ::: e-Catalogue

Item	Part_No	IS	Ord	T	Description	Qty	Serial_No	ITC	Remark
1	11KA-00010				ENGINE ASSY	1			
2	11KA-00030				BRACKET-MTG	1			
3	11K9-00022				BRACKET-ENG&COMP	1			
4	11K9-00121				BRACKET-REAR	1			
5	11K9-00130				BRACKET-REAR	1			
6	S037-123556				BOLT-W/WASHER	16			
7	S017-24180D				BOLT-HEX	4			
8	S441-240006				WASHER-HARDENED	2			
9	11N6-13055				RUBBER-MOUNT , RR	4			
10	11NA-00040				NUT-STOPPER	2			
11	11N8-00060-I				WASHER	2			
12	11N6-13060				RESILIENT	4			
13	11N6-00160				NUT-STOPPER	2			
14	11K8-30390				BRACKET	1			
15	11K9-00111				BRACKET	1			
16	S109-100356				BOLT-SOCKET	4			OPT
16	S109-101206				BOLT-SOCKET	4	- #0004		STD, TROPICAL

Item	Part_No	IS	Ord	T	Description	Qty	Serial_No	ITC	Remark
16	S107-101206				BOLT-SOCKET	4	#0005 -	D	STD, TROPICAL
17	S035-082026				BOLT-W/WASHER	2			
18	11K9-00100				CLAMP	1			
19	11K9-00090				CLAMP	2			
21	11K9-00071				BRACKET	1			
22	11QA-00070				HOSE-BREATHER	1			
23	S520-027000				CLAMP-HOSE	1			
24	S403-10200B				WASHER-PLAIN	4			
25	S037-103026				BOLT-W/WASHER	4			
26	S035-082526				BOLT-W/WASHER	6			
27	S087-060166				BOLT-HEX, UNIFIED	4			
28	11Q6-40110				HOSE-OVER FLOW	1			
29	S520-017000				CLAMP-HOSE	4			
30	S037-102526				BOLT-W/WASHER	6			
31	11K9-00060				BRACKET	1			
32	11Q8-03131				BRACKET	1			
33	11K9-00050				BRACKET	1	- #0005		

Item	Part_No	IS	Ord	T	Description	Qty	Serial_No	ITC	Remark
34	11Q7-03071				SPACER	1			OPT
34	11Q6-02541				SPACER	1			STD, TROPICAL
35	11K6-00021				CLUTCH-FAN	1			OPT
35	11QA-03111				FAN-COOLING	1			STD, TROPICAL
36	S037-122026				BOLT-W/WASHER	2			
37	11K9-00040				BRACKET	1			
38	S037-102026				BOLT-W/WASHER	6			
39	31L7-10210				CLAMP-TUBE INS	5	-		
39	31L7-10210				CLAMP-TUBE INS	6	#0005 - #0006 -	A	
40	11K8-40411				BRACKET	1			
41	11K9-00140				BRACKET	1	-		
41	11K6-02080				BRACKET	1	#0005 - #0006 -	D	
42	11K9-00150				HOSE	1			
43	S441-100006				WASHER-SPRING	4	#0005 -		STD, TROPICAL

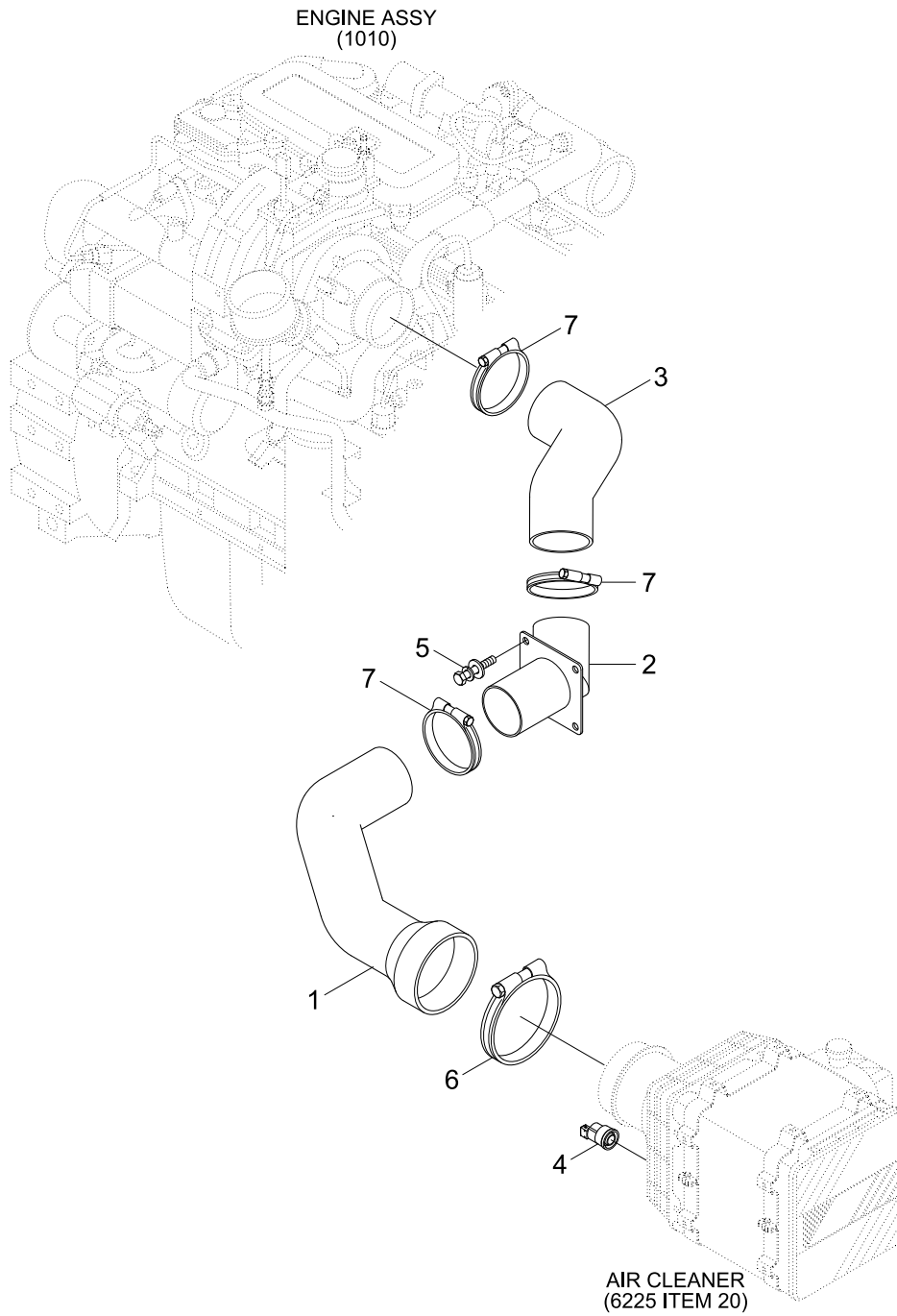
FAN DRIVE SYSTEM



Item	Part_No	IS	Ord	T	Description	Qty	Serial_No	ITC	Remark
1	31QA-31120				GEAR PUMP	1			STD
1	31K9-31120				FAN PUMP	1			OPT
2	31Q9-11150				ELBOW-90 ,ORFS	1			
3	31FQ-10050				ELBOW-90	1			
4	P173-200106				FLANGE-HYD , SPLIT	2			
5	154916				GASKET-GEAR PUMP	1			
6	31L7-10200				CLAMP-TUBE	1			
7	31L7-10230				CLAMP-TUBE	2			
8	P173-120102				FLANGE-HYD , SPLIT	2			
9	P980-202328				HOSE ASSY-ORFS , FLG 0X90	1			
10	P910-084062				HOSE ASSY-ORFS 0X0	1			
11	P930-082040				HOSE ASSY-ORFS 0X90	1			
12	P910-042047				HOSE ASSY-ORFS 0X0	1			
13	X500-310003				CONNECTOR-ORFS	1			
14	X520-110012				ELBOW-90 ,ORFS	1			
15	X520-310001				ELBOW-90 ,ORFS	1			
17	S037-102026				BOLT-W/WASHER	5			

Item	Part_No	IS	Ord	T	Description	Qty	Serial_No	ITC	Remark
18	S109-100256				BOLT-SOCKET	8			
19	S109-100306				BOLT-SOCKET	2			
20	S403-10200B				WASHER-PLAIN	2			
21	S411-100006				WASHER-SPRING	2			
22	S621-014001				O-RING	2			
23	S621-025001				O-RING	1			
24	Y171-019004				O-RING	1			
25	Y171-027004				O-RING	1			
26	11K9-60011				BRACKET	1			OPT
27	S037-103526				BOLT-W/WASHER	2			OPT
28	S207-101006				NUT-HEX	2			OPT
29	S441-100006				WASHER-SPRING	2			OPT
30	11K9-60020				SPACER	1			OPT

AIR INTAKE SYSTEM



Item	Part_No	IS	Ord	T	Description	Qty	Serial_No	ITC	Remark
1	11K9-20010				HOSE-INTAKE (A)	1			
2	11K9-20020				PIPE-CONNECT	1			
3	11K9-20030				HOSE-INTAKE (B)	1			
4	11Q4-21010				INDICATOR	1			
5	S037-122526				BOLT-W/WASHER	4			
6	11LB-40240				CLAMP-T BOLT	1			
7	11LB-40310				CLAMP-T BOLT	3			

Diesel Engines

ABS	Agco-Sisu
Akasaka	Baudouin
BMW	Bukh
Caterpillar	CHN 25/34
Cummins	Daihatsu
Detroit	Deutz
Doosan-Daewoo	Fiat
Ford	GE
Grenaa	Guascor
Hanshin	Hatz
Hino	Honda
Hyundai	Isotta
Isuzu	Iveco
John-Deere	Kelvin
Kioti	Komatsu
Kubota	Liebherr
Lister	Lombardini
MAK	MAN B&W
Mercedes	Mercruiser
Mirrlees BS	Mitsubishi
MTU	MWM
Niigata	Paxman
Perkins	Pielstick
Rolls / Bergen	Ruggerini
Ruston	Scania
Shibaura	Sisu-Valmet
SKL	Smit-Bolnes
Sole	Stork
VM-Motori	Volvo
Volvo Penta	Westerbeke
Wichmann	Yanmar

Machinery

ABG	Airman
Akerman	Ammann
Astra	Atlas Copco
Atlas Weyha.	Atlet
Bell	Bendi
Bigjoe	Bobcat
Bomag	BT
Carelift	Case
Caterpillar	Cesab
Challenger	Champion
Claas	Clark
Combilift	Crown
Daewoo-Doosan	Demag
Deutz-Fahr	Dressta

Machinery

Drott	Dynapack
Extec	Faun
Fendt	Fiat
Fiatallis	Flexicoil
Furukawa	Gehl
Genie	Grove-gmk
Halla	Hamm
Hangcha	Hanix
Hanomag	Hartl
Haulpack	Hiab
Hidromek	Hino truck
Hitachi	Hyster
Hyundai	IHI
Ingersoll-rand	JCB
JLG	John-Deere
Jungheinrich	Kalmar
Kato	Kioti
Kleeman	Kobelco
Komatsu	Kramer
Kubota	Lamborghini
Landini	Liebherr
Linde	Link-belt
Manitou	Massey-Ferg.
Mccormick	MDI-Yutani
Mitsubishi	Moxy
Mustang	Neusson
New-Holland	Nichiyu
Nissan	OK
OM-Pimespo	others-tech
Pel-Job	PH-mining
Poclain	Powerscreen
Same	Samsung
Sandvik	Scania
Schaefer	Schramm
Sennebogen	Shangli
Shibaura	Steiger
Steinbock	Steyr
Still	Sumitomo
Super-pac	Tadano
Takeuchi	TCM
Terex	Toyota
Valpadana	Venieri
Versatile	Vogele
Volvo	Weidemann
Wirtgen	Yale
YAM	Yanmar