

PARTS CATALOG

FORK LIFT

20D-7

25D-7

30D-7

33D-7

HYUNDAI

Use the bookmarks for navigation inside the Parts book

CONTENTS

Fork Lift 20D-7, 25D-7, 30D-7, 33D-7

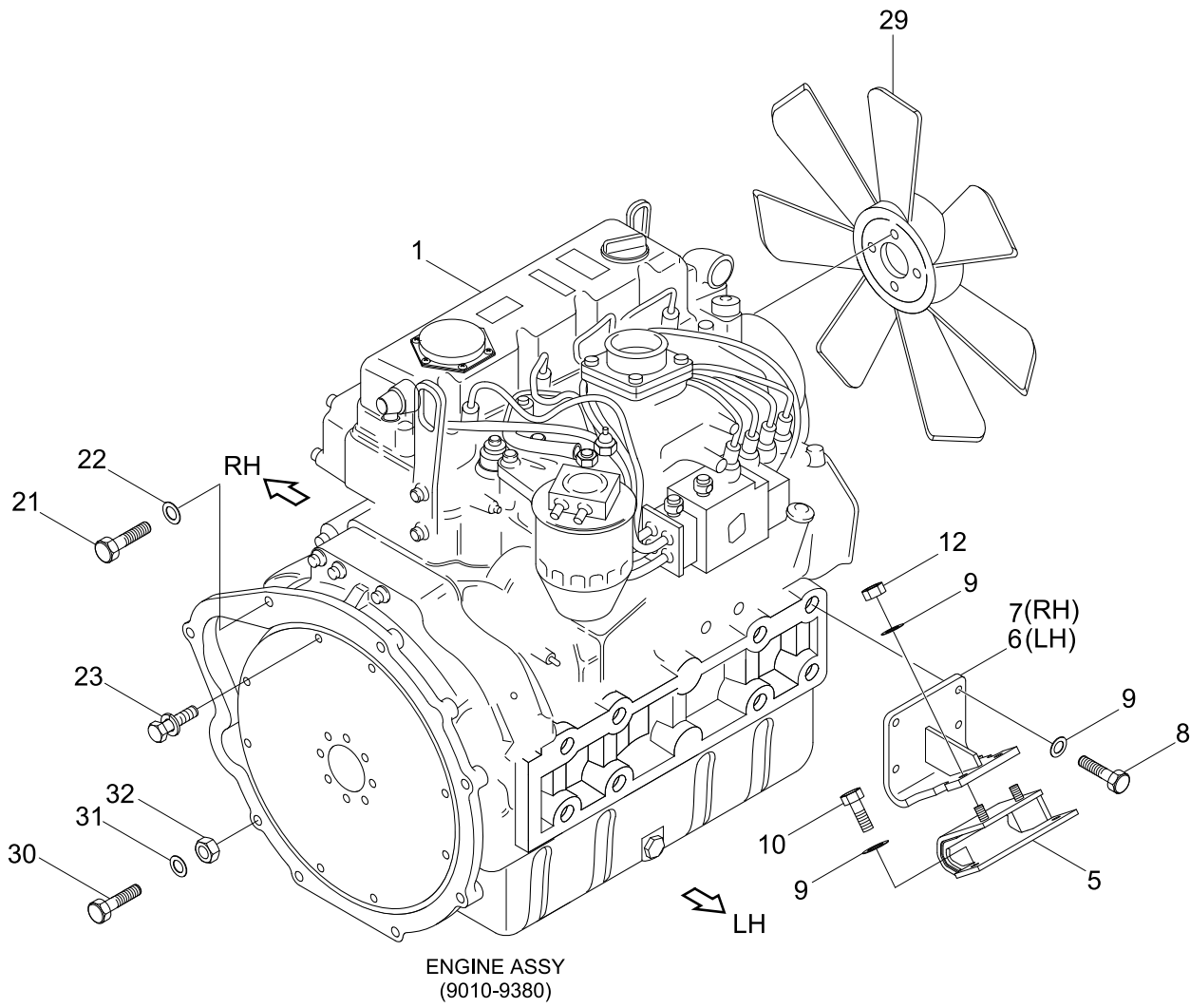
Page	Contents	Serial_No	Revision_No
1	ENGINE SYSTEM		
1010	ENGINE MOUNTING(OLD)		2010. 5.31 REV.10E
1015	ENGINE MOUNTING(NEW)		2015. 3.31 REV.15C
1020	AIR INTAKE SYSTEM		2008. 7.31 REV.8G
1030	EXHAUST SYSTEM(VERTICAL)		2014. 4.30 REV.14D
1031	EXHAUST SYSTEM(HORIZONTAL)		2012. 4.30 REV.12D
1040	COOLING SYSTEM(OLD)		2010. 7.30 REV.10G
1041	COOLING SYSTEM(NEW)		2015. 1.31 REV.15A
1050	FUEL SYSTEM		2015. 2.28 REV.15B
1060	HEATER(OPTION)		2007.11.30 REV.7L
2	ELECTRIC SYSTEM		
2010	ELECTRIC 1		2011. 7.31 REV.11G
2020	ELECTRIC 2		2015. 2.28 REV.15B
2030	ELECTRIC 3		2015. 9.30 REV.15J
2040	DASHBOARD HARNESS		2012.8.31 REV.12H
2050	FRAME HARNESS		2011. 7.31 REV.11G
3	HYDRAULIC SYSTEM		
3020	3-SPOOL CONTROL VALVE LEVER		2007.12.31 REV.7M
3030	4-SPOOL CONTROL VALVE LEVER		2007.12.31 REV.7M
3040	MAIN HYDRAULIC PIPING(BOOSTER)		2010. 6.30 REV.10F
3041	MAIN HYDRAULIC PIPING(NON BOOSTER)		2013. 2.28 REV.13B
3050	TILT HYDRAULIC PIPING		2013. 1.31 REV.13A□
3060	STEERING HYD PIPING(BOOSTER BRAKE)		2009. 5.31 REV.9E
3061	STEERING HYD PIPING (NON BOOSTER BRAKE)		2013. 10.31 REV.13K
3065	HYD PIPING ASSY-DASHBOARD		2013. 10.31 REV.13K
3070	BRAKE PIPING(OLD)		2010. 7.30 REV.10G
3071	BRAKE PIPING(NEW)		2012. 5.31 REV.12E
3080	HYDRAULIC OIL TANK		2015. 1.31 REV.15A
3A	HYDRAULIC COMPONENTS		
3A10	HYDRAULIC PUMP		2010. 5.31 REV.10E
3A15	HYDRAULIC PUMP(WITH P/VALVE)		2010. 5.31 REV.10E
3A20	MAIN CONTROL VALVE(2-SPOOL, OLD)		2010. 1.31 REV.10A
3A21	MAIN CONTROL VALVE (2-SPOOL, NEW)		2011. 7.31 REV.11G
3A22	MAIN CONTROL VALVE (2-SPL, NEW,30/33D-7)		
3A30	MAIN CONTROL VALVE(3-SPOOL, OLD)		2010. 1.31 REV.10A
3A31	MAIN CONTROL VALVE(3-SPOOL, NEW)		2014. 4.30 REV.14D
3A32	MAIN CONTROL VALVE(3-SPL, NEW,30/33D-7)		2014. 4.30 REV.14D
3A40	MAIN CONTROL VALVE(4-SPOOL, OLD)		2010. 1.31 REV.10A
3A41	MAIN CONTROL VALVE(4-SPOOL, NEW)		2014. 4.30 REV.14D
3A42	MAIN CONTROL VALVE(4-SPL, NEW,30/33D-7)		2014. 4.30 REV.14D
3A50	MCV LIFT SECTION(OLD)		2010. 6.30 REV.10F
3A51	LIFT BLOCK ASSY (NEW)		2014. 4.30 REV.14D
3A52	LIFT BLOCK ASSY (NEW, 30/33D-7)		2014. 4.30 REV.14D
3A60	MCV TILT SECTION(OLD)		2010. 6.30 REV.10F
3A61	TILT BLOCK ASSY (NEW)		2014. 4.30 REV.14D
3A62	TILT BLOCK ASSY (NEW,30/33D-7)		2014. 4.30 REV.14D
3A70	MCV AUXILIARY 1 SECTION(OLD)		2010. 6.30 REV.10F
3A71	AUX 1 BLOCK ASSY (NEW)		2014. 4.30 REV.14D
3A72	AUX 1 BLOCK ASSY (NEW,30/33D-7)		2014. 4.30 REV.14D
3A80	MCV AUXILIARY 2 SECTION(OLD)		2010. 6.30 REV.10F
3A81	WORK BLOCK ASSY (NEW)		2014. 4.30 REV.14D
3A82	WORK BLOCK ASSY (NEW,30/33D-7)		
3A90	STEERING UNIT		2015. 1.31 REV.15A

3B10	TILT CYLINDER (TYPE 1)		2015. 12.31 REV.15M
3B20	BRAKE VALVE(BOOSTER, OLD)		2010. 6.30 REV.10F
3B25	BRAKE MASTER CYL(NON BOOSTER, OLD)		2010. 6.30 REV.10F
3B30	FLOW DIVIDER		
3B40	PRIORITY VALVE		
4	POWER TRAIN SYSTEM		
4010	CONTROL VALVE & TM CASE ASSY(OLD)		2010. 5.31 REV.10E
4020	CONTROL VALVE ASSY(OLD)		2010. 5.31 REV.10E
4030	SPACER AND PUMP ASSY(OLD)		2010. 5.31 REV.10E
4040	CONVERTER & HOUSING SUB ASSY(OLD)		2010. 5.31 REV.10E
4050	FORWARD CLUTCH SUB ASSY(OLD)		2010. 5.31 REV.10E
4060	REVERSE CLUTCH SUB ASSY(OLD)		2010. 5.31 REV.10E
4070	OUTPUT GEAR SUB ASSY(OLD)		2010. 5.31 REV.10E
4080	CARRIER SUB ASSY(OLD)		2010. 5.31 REV.10E
4090	DRIVE AXLE ASSY(OLD)		2010. 5.31 REV.10E
4100	DIFFERENTIAL ASSY(OLD)		2010. 5.31 REV.10E
4110	TRANSMISSION MOUNTING(OLD)		2010. 5.31 REV.10E
4200	POWER TRAIN MOUNTING		2015. 3.31 REV.15C
4210	CONTROL VALVE & TM CASE ASSY(NEW)		2014. 3.31 REV.14C
4220	CONTROL VALVE ASSY(NEW)		2010. 5.31 REV.10E
4230	CONVERTER & HOUSING, PUMP ASSY(NEW)		2010. 5.31 REV.10E
4240	CLUTCH GEAR SUB ASSY(NEW)		2013. 3.31 REV.13C
4250	OUTPUT GEAR SUB ASSY(NEW)		2012. 2.29 REV.12B
4260	IDLE GEAR SUB ASSY(NEW)		2010. 5.31 REV.10E
4270	CARRIER SUB ASSY(NEW)		2011.11.30 REV.11L
4280	DRIVE AXLE ASSY(NEW)		2012.9.30 REV.12J
4290	DIFFERENTIAL ASSY 1(NEW)		2011.11.30 REV.11L
4291	DIFFERENTIAL ASSY 2 (NEW)		2011.11.30 REV.11L
5	CONTROL SYSTEM		
5010	STEERING AXLE		2012. 11.30 REV.11L
5011	STEERING CYLINDER		2009. 6. 5 REV.9F
5020	FRONT WHEEL(SINGLE TIRE)		2015. 6.30 REV.15F
5025	FRONT WHEEL(DOUBLE TIRE)		2014. 7.31 REV.14G
5026	REAR WHEEL		2015. 6.30 REV.15F
5030	STEERING COLUMN		2010. 9.30 REV.10J
5040	BRAKE & INCHING PEDAL(BOOSTER, OLD)		2010. 7.30 REV.10G
5041	BRAKE & INCHING PEDAL(NON BOOSTER, OLD)		2014. 9.30 REV.14J
5042	BRAKE & INCHING PEDAL(NON BOOSTER, OLD)		2010. 7.30 REV.10G
5043	BRAKE & INCHING PEDAL(NEW)		2014. 9.30 REV.14J
5050	PARKING BRAKE(OLD)		2010. 7.30 REV.10G
5051	PARKING BRAKE(NEW)		2013. 1.31 REV.13A
5060	ACCELERATOR LINKAGE		2007. 9.30 REV.7J
6	STRUCTURE		
6010	MAIN FRAME		2010.11.30 REV.10L
6011	MAIN FRAME		2013. 2.28 REV.13B□
6020	OUTER PANEL 1		2015. 9.30 REV.15J
6030	OUTER PANEL 2		2015. 7.31 REV.15G
6031	SEAT (KOREA)		2015. 11.30 REV.15L
6032	SEAT (ENGLISH)		2015. 11.30 REV.15L
6033	SEAT (1/2, OPTION, OLD)		2016. 2.29 REV.16B
6034	SEAT (2/2, OPTION, OLD)		2016. 2.29 REV.16B
6040	OVER HEAD GUARD(OLD)		2007.11.30 REV.7L
6041	OVER HEAD GUARD(PRECLEANER-OLD)		2007.11.30 REV.7L
6042	OVER HEAD GUARD(OLD)		2008. 7.31 REV.8G
6043	HEAD GUARD SUB ASSY(OLD)		2008. 7.31 REV.8G
6044	OVER HEAD GUARD(NEW)		2014. 9.30 REV.14J
6045	HEAD GUARD SUB ASSY(NEW)		2012.7.31 REV.12G
6050	COUNTERWEIGHT		2010.10.31 REV.10K
6060	CABIN 1(BUILT IN SECTIONS)		2008.12.31 REV.8M

6070	CABIN 2(BUILT IN SECTIONS)		2008.12.31 REV.8M
6080	CABIN 3(BUILT IN SECTIONS)		2008.12.31 REV.8M
6100	CABIN GROUP		2011. 8.31 REV.11H
6110	CABIN 1		2012.7.31 REV.12G
6120	CABIN 2		2011. 8.31 REV.11H
6130	CABIN 3		2011. 8.31 REV.11H
6140	CABIN 4		
6150	ELEC CABIN		2011. 8.31 REV.11H
6200	PARTIAL CABIN GROUP		
6210	PARTIAL CABIN 1 (TYPE 1)		2012.7.31 REV.12G
6220	PARTIAL CABIN 2 (TYPE 1)		
6230	PARTIAL CABIN(ELECTRIC,TYPE 1)		
6300	PARTIAL CABIN 1 (ROOF,TYPE 2)		
6310	PARTIAL CABIN 2 (FRONT, TYPE 2)		
6320	PARTIAL CABIN 3 (REAR,TYPE 3)		
7	ATTACHMENT		
7010	OUTER MAST(V-MAST, 20D/25D/30D)		2012. 3.31 REV.12C
7015	OUTER MAST(V-MAST, 33D)		2010. 4.30 REV.10D
7020	INNER MAST(V-MAST, 20D/25D/30D)		2012. 3.31 REV.12C
7025	INNER MAST(V-MAST, 33D)		2012. 3.31 REV.12C
7030	MAST HYDRAULIC PIPING(V-MAST)		2010. 4.30 REV.10D
7040	CARRIAGE & B/REST (V-MAST, 20D/25D)		2014. 9.30 REV.14J
7041	CARRIAGE & B/REST (V-MAST, 30D/33D)		2014. 9.30 REV.14J
7042	INTEGRAL SIDE SHIFT INSTALL(V-M,20D/25D)		2012. 4.30 REV.12D
7043	INTEGRAL SIDE SHIFT INSTALL(V-M,30D/33D)		2012. 4.30 REV.12D
7044	INTEGRAL SIDE SHIFT ASSY(V,20D/25D)		2008. 9.30 REV.9J
7045	INTEGRAL SIDE SHIFT ASSY(V,30D/33D)		2008. 9.30 REV.9J
7050	LIFT CYLINDER(V-MAST, 20D/25D)		
7051	LIFT CYLINDER(V-MAST, 30D)		
7052	LIFT CYLINDER(V-MAST, 33D)		
7060	3-SPOOL HYDRAULIC PIPING(V-MAST)		2014. 11.30 REV.14L
7070	4-SPOOL HYDRAULIC PIPING(V-MAST)		2014. 11.30 REV.14L
7110	OUTER MAST(VF-MAST)		2012. 3.31 REV.12C
7120	INNER MAST(VF-MAST)		2012. 3.31 REV.12C
7130	MAST HYDRAULIC PIPING(VF-MAST)		2010. 5.31 REV.10E
7140	CARRIAGE & B/REST (VF-MAST, 20D/25D)		2014. 9.30 REV.14J
7141	CARRIAGE & B/REST (VF-MAST, 30D/33D)		2014. 9.30 REV.14J
7142	INTEGRAL SIDE SHIFT INSTALL(VF,20D/25D)		2012. 4.30 REV.12D
7143	INTEGRAL SIDE SHIFT INSTALL(VF,30D/33D)		2012. 4.30 REV.12D
7144	INTEGRAL SIDE SHIFT ASSY(VF,20D/25D)		2008. 9.30 REV.8J
7145	INTEGRAL SIDE SHIFT ASSY(VF,30D/33D)		2008. 9.30 REV.8J
7150	LIFT CYLINDER(VF-MAST)		
7160	FREE LIFT CYLINDER(VF-MAST)		2012. 8.31 REV.12H
7170	3-SPOOL HYDRAULIC PIPING(VF-MAST)		2008. 9.30 REV.8J
7180	4-SPOOL HYDRAULIC PIPING(VF-MAST)		2008. 9.30 REV.8J
7210	OUTER MAST(TF-MAST, 20D/25D/30D)		2012. 4.30 REV.12D
7215	OUTER MAST(TF-MAST, 33D)		2012. 4.30 REV.12D
7220	MIDDLE MAST(TF-MAST, 20D/25D/30D)		2012. 4.30 REV.12D
7225	MIDDLE MAST(TF-MAST, 33D)		2012. 4.30 REV.12D
7230	INNER MAST(TF-MAST, 20D/25D/30D)		2012. 4.30 REV.12D
7235	INNER MAST(TF-MAST, 33D)		2012. 4.30 REV.12D
7240	MAST HYDRAULIC PIPING(TF-MAST)		2010. 9.30 REV.10J
7250	CARRIAGE & B/REST (TF-MAST, 20D/25D)		2014. 9.30 REV.14J
7251	CARRIAGE & B/REST (TF-MAST, 30D/33D)		2014. 9.30 REV.14J
7252	INTEGRAL SIDE SHIFT INSTALL(TF,20D/25D)		2012. 4.30 REV.12D
7253	INTEGRAL SIDE SHIFT INSTALL(TF,30D/33D)		2012. 4.30 REV.12D
7254	INTEGRAL SIDE SHIFT ASSY(TF,20D/25D)		2008. 9.30 REV.8J
7255	INTEGRAL SIDE SHIFT ASSY(TF,30D/33D)		2008. 9.30 REV.8J
7260	LIFT CYLINDER(TF-MAST,20D/25D,OLD)		2008. 9.30 REV.8J

7261	LIFT CYLINDER(TF-MAST,30D,OLD,-#1414)	- #1414	2008. 9.30 REV.8J
7262	LIFT CYLINDER(TF-MAST,33D,OLD,-#0189)	- #0189	2008. 9.30 REV.8J
7263	LIFT CYLINDER(TF-MAST,20D/25D,NEW)		2008. 9.30 REV.8J
7264	LIFT CYLINDER(TF-MAST,30D,NEW,#1415-)	#1415 -	2008. 9.30 REV.8J
7265	LIFT CYLINDER(TF-MAST,33D,NEW,#0190-)	#0190 -	2008. 9.30 REV.8J
7270	FREE LIFT CYLINDER(TF-MAST,20D/25D)		2012. 8.31 REV.12H
7271	FREE LIFT CYLINDER(TF-MAST,30D)		2012. 8.31 REV.12H
7272	FREE LIFT CYLINDER(TF-MAST,33D)		2012. 8.31 REV.12H
7280	3-SPOOL HYDRAULIC PIPING(TF-MAST)		2010. 5.31 REV.10E
7290	4-SPOOL HYD PIPING(TF-MAST,INTERNAL)		2012. 2.29 REV.12B
7300	4-SPOOL HYD PIPING(TF-MAST,HOSE REEL)		2008.11.30 REV.8L
7410	OUTER MAST(TS-MAST)		2012. 4.30 REV.12D
7420	MIDDLE MAST(TS-MAST)		2012. 4.30 REV.12D
7430	INNER MAST(TS-MAST)		2012. 4.30 REV.12D
7440	MAST HYDRAULIC PIPING(TS-MAST)		2010. 9.30 REV.10J
7450	CARRIAGE & BACKREST (TS-MAST)		2014. 9.30 REV.14J
7470	FREE LIFT CYLINDER(TS-MAST, 20/25D)		2012. 8.31 REV.12H
7471	FREE LIFT CYLINDER(TS-MAST, 30D)		2010. 9.30 REV.10J
7472	FREE LIFT CYLINDER(TS-MAST, 33D)		2010. 9.30 REV.10J
7480	3-SPOOL HYD PIPING(TS-MAST)		2011. 9.30 REV.11J
7490	4-SPOOL HYD PIPING(TS-MAST)		2011. 9.30 REV.11J
7495	SIDE SHIFT PIPING(TS-MAST)		
7510	OUTER MAST(QF-MAST)		2013. 11.30 REV.13L
7520	OUTER MIDDLE MAST(QF-MAST)		2013. 11.30 REV.13L
7530	INNER MIDDLE MAST(QF-MAST)		2013. 11.30 REV.13L
7540	INNER MAST(QF-MAST)		2013. 11.30 REV.13L
7550	MAST HYD PIPING(QF-MAST)		2014. 1.31 REV.14A
7555	MAST HYD PIPING (QF-MAST, 33D)		2014. 1.31 REV.14A
7560	CARRIAGE & B/REST (QF-MAST, 20/25D)		2014. 9.30 REV.14J
7561	CARRIAGE & B/REST (QF-MAST, 30D)		2014. 9.30 REV.14J
7562	CARRIAGE & B/REST(QF-MAST, 33D)		2014. 9.30 REV.14J
7570	3-SPOOL HYD PIPING(QF-MAST)		2012. 1.31 REV.12A
7580	4-SPOOL HYD PIPING(QF-MAST)		2012. 1.31 REV.12A
7590	LIFT CYLINDER-LH(QF-MAST)		2010. 9.30 REV.10J
7595	LIFT CYLINDER-RH(QF-MAST)		2010. 9.30 REV.10J
7600	FREE LIFT CYLINDER(QF-MAST)		2010. 9.30 REV.10J
7610	TILT PIN MOUNTING		
7620	FORK & EXTENSION FORK (20/25D)		2013. 3.31 REV.13C
7625	FORK & EXTENSION FORK (30/33D)		
7630	SIDE SHIFT (CASCADE, OLD)		
7631	SIDE SHIFT (CASCADE, 30D/33D, OLD)		
7632	SIDE SHIFT (CASCADE, NEW)		
7640	SIDE SHIFT (BOLZONI, SINGLE, 20/25D)		
7641	SIDE SHIFT (BOLZONI, SINGLE, 30/33D)		
7645	SIDE SHIFT (BOLZONI, DOUBLE, 20/25D)		
7646	SIDE SHIFT (BOLZONI, DOUBLE, 30/33D)		
7647	SIDE SHIFT (BOLZONI, WIDE, 30/33D)		
7710	SIDE SHIFT PIPING (V-MAST)		
7720	SIDE SHIFT PIPING (3-SPOOL, 4-SP,H/REEL)		
7730	SIDE SHIFT PIPING (TF,QF-MAST, 4-SPOOL)		
7740	SIDE SHIFT PIPING (TS-MAST)		
7750	3-SPOOL ATTACH PIPING (V,TF,TS-MAST)		
7760	4-SPOOL ATTACH PIPING (V,TF,TS,QF-MAST)		
7770	3-SPOOL ATTACH PIPING (VF,QF-MAST)		
7780	4-SPOOL ATTACH PIPING (VF-MAST ,H/REEL)		
7790	4-SPOOL ATTACH PIPING (TF, H/REEL)		
8	OTHERS		
8010	DECAL(KOREAN)		2010. 1.31 REV.10A
8011	DECAL(KOREAN)		2010. 5.31 REV.10E

8020	DECAL(ENGLISH)		2010. 1.31 REV.10A
8021	DECAL(ENGLISH)		2015. 9.30 REV.15D
8030	TOOLS(FOR SINGLE TIRE)		
8040	TOOLS(FOR DOUBLE TIRE)		2010. 2.28 REV.10B
9	ENGINE BASE		
9010	CRANKCASE		
9020	OIL PAN		
9030	CYLINDER HEAD		
9040	GEAR CASE		
9050	HEAD COVER		
9060	OIL FILTER		2007.12.31 REV.7M
9070	DIPSTICK AND GUIDE		
9080	CAMSHAFT AND IDLE GEAR SHAFT		
9090	PISTON AND CRANKSHAFT		
9100	FLYWHEEL		
9110	BALANCER		
9120	STOP SOLENOID		
9130	INJECTION PUMP		
9140	GOVERNOR		
9150	NOZZLE HOLDER AND GLOW PLUG		
9160	NOZZLE HOLDER(COMPONENT PARTS)		
9170	PUMP HOUSING		
9180	FORK LEVER(GOVERNOR)		
9190	GOVERNOR ADJUSTING BOLT		
9200	FUEL FILTER		
9210	FUEL PUMP(MECHANICAL)		
9220	SEDIMENTER(COMPONENT PARTS)		
9230	ALTERNATOR AND PULLEY		
9240	ALTERNATOR(COMPONENT PARTS)		
9250	STARTER		
9260	STARTER(COMPONENT PARTS)		
9270	OIL SWITCH		
9280	WATER FLANGE AND THERMOSTAT		
9290	WATER PUMP		
9300	FAN PULLEY		
9310	VALVE AND ROCKER ARM		
9320	INLET MANIFOLD		
9330	EXHAUST MANIFOLD		
9340	HYDRAULIC PUMP		
9350	OIL COOLER		
9360	GLOW LAMP AND TIMER		
9370	ACCESSORIES AND SERVICE PARTS		
9380	LABEL AND OPERATOR'S MANUAL		



HHI Construction Equipment ::: e-Catalogue

Item	Part_No	IS	Ord	T	Description	Qty	Serial_No	ITC	Remark
1	@				ENGINE MOUNTING	1	- #0264		NOT
1	@				ENGINE MOUNTING	1	- #1340		NOT
1	@				ENGINE MOUNTING	1	- #2059		NOT
1	@				ENGINE MOUNTING	1	- #0291		NOT
1	11HA-60011				.ENGINE	1	- #0154		20D
1	11HA-60012				.ENGINE	1	#0155 -	B	20D
1	11HA-60011				.ENGINE	1	- #0692		25D
1	11HA-60012				.ENGINE	1	#0693 -	B	25D
1	11HA-60011				.ENGINE	1	- #0928		30D
1	11HA-60012				.ENGINE	1	#0929 -	B	30D
1	11HA-60011				.ENGINE	1	- #0121		33D
1	11HA-60012				.ENGINE	1	#0122 -	B	33D
5	11HA-60022				.MOUNT-ENGINE	2	- #0212		20D
5	11HM-60040				.MOUNT-ENGINE	2	#0214 -	B	20D
5	11HA-60022				.MOUNT-ENGINE	2	- #1016		25D
5	11HM-60040				.MOUNT-ENGINE	2	#1017 -	B	25D
5	11HA-60022				.MOUNT-ENGINE	2	- #1527		30D

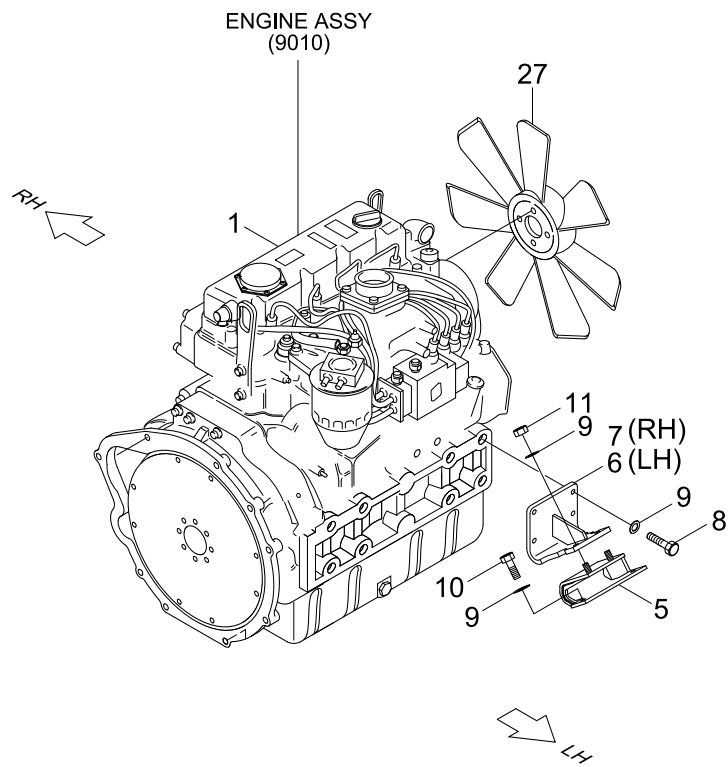
HHI Construction Equipment ::: e-Catalogue

Item	Part_No	IS	Ord	T	Description	Qty	Serial_No	ITC	Remark
5	11HM-60040				.MOUNT-ENGINE	2	#1538 -	B	30D
5	11HA-60022				.MOUNT-ENGINE	2	-		33D
5	11HM-60040				.MOUNT-ENGINE	2	#0213 -	B	33D
6	11HA-60031				.BRACKET-LH	1			
7	11HA-60041				.BRACKET-RH	1			
8	S018-120256				.BOLT-HEX	8	-		
8	S018-120306				.BOLT-HEX	8	#0265 -		20D
8	S018-120256				.BOLT-HEX	8	-		
8	S018-120306				.BOLT-HEX	8	#1341 -		25D
8	S018-120256				.BOLT-HEX	8	-		
8	S018-120306				.BOLT-HEX	8	#2060 -		30D
8	S018-120256				.BOLT-HEX	8	-		
8	S018-120306				.BOLT-HEX	8	#0292 -		33D
9	S441-12000B				.WASHER-HARDENED	16			
10	S017-120256				.BOLT-HEX	4			
12	S206-12100B				.NUT-HEX	4			
21	S018-100306				.BOLT-HEX	8	-		20D

Item	Part_No	IS	Ord	T	Description	Qty	Serial_No	ITC	Remark
21	S018-100306				.BOLT-HEX	2	#0155 -	A	20D
21	S018-100306				.BOLT-HEX	8	-		25D
21	S018-100306				.BOLT-HEX	2	#0693 -	A	25D
21	S018-100306				.BOLT-HEX	8	-		30D
21	S018-100306				.BOLT-HEX	2	#0929 -	A	30D
21	S018-100306				.BOLT-HEX	8	-		33D
21	S018-100306				.BOLT-HEX	2	#0122 -	A	33D
22	S441-10000B				.WASHER-HARDENED	12	-		20D
22	S441-10000B				.WASHER-HARDENED	6	#0155 -	A	20D
22	S441-10000B				.WASHER-HARDENED	12	-		25D
22	S441-10000B				.WASHER-HARDENED	6	#0693 -	A	25D
22	S441-10000B				.WASHER-HARDENED	12	-		30D
22	S441-10000B				.WASHER-HARDENED	6	#0929 -	A	30D
22	S441-10000B				.WASHER-HARDENED	12	-		33D
22	S441-10000B				.WASHER-HARDENED	6	#0122 -	A	33D
23	S035-081516				.BOLT-W/WASHER	8			
29	F12200112				.FAN-COOLING	1			

Item	Part_No	IS	Ord	T	Description	Qty	Serial_No	ITC	Remark
30	S018-100556				.BOLT-HEX	6	#0155 -	-	20D
30	S018-100556				.BOLT-HEX	6	#0693 -	-	25D
30	S018-100556				.BOLT-HEX	6	#0929 -	-	30D
30	S018-100556				.BOLT-HEX	6	#0122 -	-	33D
31	S411-100006				.WASHER-SPRING	6	#0155 -	-	20D
31	S411-100006				.WASHER-SPRING	6	#0693 -	-	25D
31	S411-100006				.WASHER-SPRING	6	#0929 -	-	30D
31	S411-100006				.WASHER-SPRING	6	#0122 -	-	33D
32	S206-10100B				.NUT-HEX	6	#0155 -	-	20D
32	S206-10100B				.NUT-HEX	6	#0693 -	-	25D
32	S206-10100B				.NUT-HEX	6	#0929 -	-	30D
32	S206-10100B				.NUT-HEX	6	#0122 -	-	33D

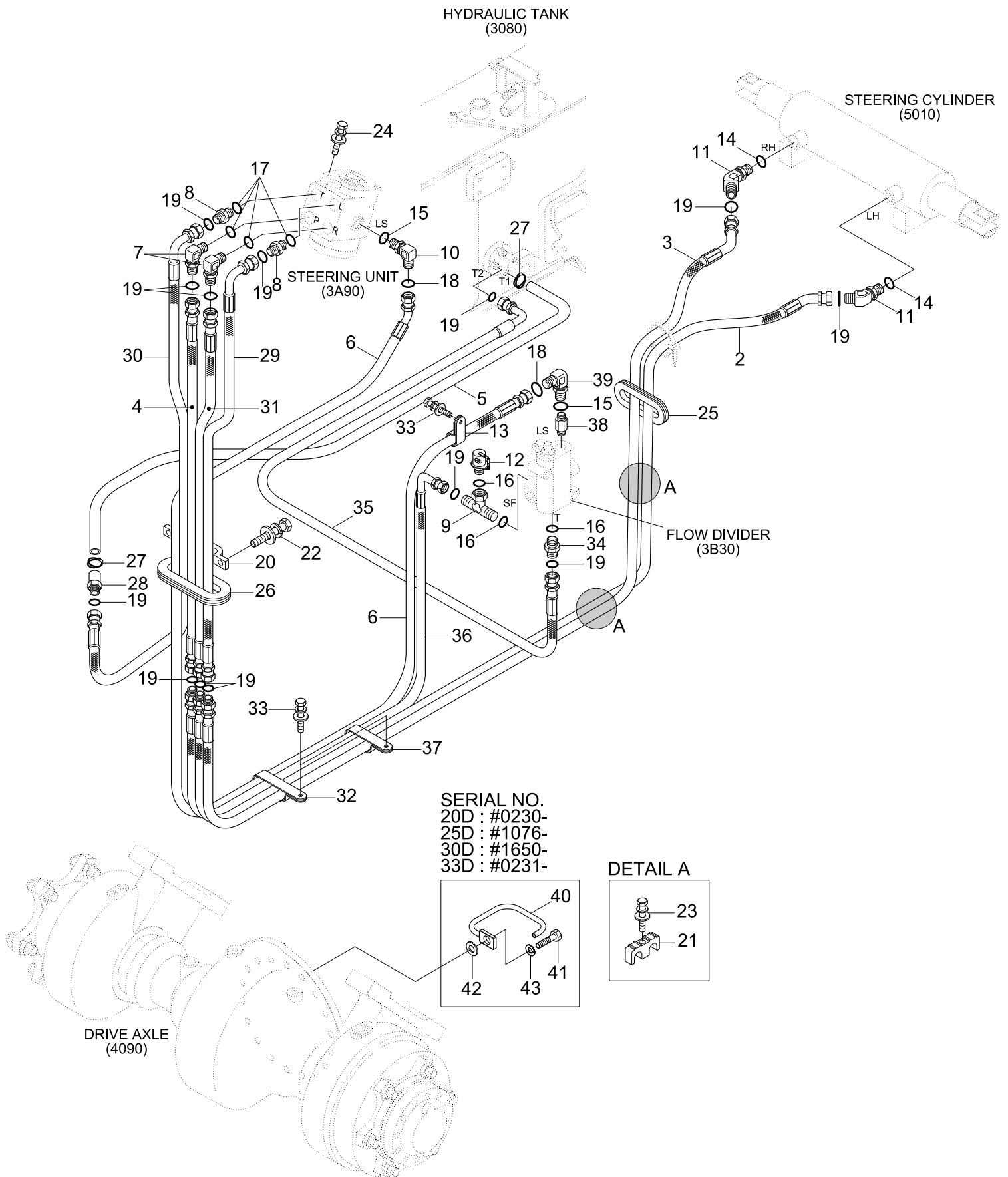
ENGINE MOUNTING(NEW)



HHI Construction Equipment ::: e-Catalogue

Item	Part_No	IS	Ord	T	Description	Qty	Serial_No	ITC	Remark
1	11HA-60012				ENGINE	1	#0155 -	B	20D-7
1	11HA-60012				ENGINE	1	#0693 -	B	25D-7
1	11HA-60012				ENGINE	1	#0929 -	B	30D-7
1	11HA-60012				ENGINE	1	#0122 -	B	33D-7
4	81HA-30032				DRIVE SHAFT ASSY	1	- #0264		20D-7
4	81HF-30032				DRIVE SHAFT ASSY	1	#0265 -	D	20D-7
4	81HA-30032				DRIVE SHAFT ASSY	1	- #1340		25D-7
4	81HF-30032				DRIVE SHAFT ASSY	1	#1341 -	D	25D-7
4	81HA-30032				DRIVE SHAFT ASSY	1	- #2059		30D-7
4	81HF-30032				DRIVE SHAFT ASSY	1	#2060 -	D	30D-7
4	81HA-30032				DRIVE SHAFT ASSY	1	- #0291		33D-7
4	81HF-30032				DRIVE SHAFT ASSY	1	#0292 -	D	33D-7
5	11HM-60040				MOUNT-ENGINE	2	- #0267		20D-7
5	11HA-60022				MOUNT-ENGINE	2	#0268 -	D	20D-7
5	11HM-60040				MOUNT-ENGINE	2	- #1365		25D-7
5	11HA-60022				MOUNT-ENGINE	2	#1366 -	D	25D-7
5	11HM-60040				MOUNT-ENGINE	2	- #2157		30D-7

STEERING HYDRAULIC PIPING (BOOSTER BRAKE)



Item	Part_No	IS	Ord	T	Description	Qty	Serial_No	ITC	Remark
2	31HA-10112				HOSE ASSY(0X45)-ORFS	1			20D/25D
2	31HA-10012				HOSE ASSY(0X45)-ORFS	1			30D/33D
3	31HA-10123				HOSE ASSY(0X45)-ORFS	1			20D/25D
3	31HA-10023				HOSE ASSY(0X45)-ORFS	1			30D/33D
4	P910-065013				HOSE ASSY-ORFS 0X0	1			
5	P760-013110				HOSE-RUBBER	1	-		20D
5	P760-013115				HOSE-RUBBER	1	#0024 -	B	20D
5	P760-013110				HOSE-RUBBER	1	-		25D
5	P760-013115				HOSE-RUBBER	1	#0123 -	B	25D
5	P760-013110				HOSE-RUBBER	1	-		30D
5	P760-013115				HOSE-RUBBER	1	#0145 -	B	30D
5	P760-013110				HOSE-RUBBER	1	-		33D
5	P760-013115				HOSE-RUBBER	1	#0015 -	B	33D
6	31HA-10211				HOSE ASSY-ORFS 0X45	1			
7	31HA-10060				ELBOW-90	2			
8	31HA-10100				CONNECTOR	2			
9	31HA-10051				TEE,WITH TEST PORT	1			

HHI Construction Equipment ::: e-Catalogue

Item	Part_No	IS	Ord	T	Description	Qty	Serial_No	ITC	Remark
10	31FG-10020				ELBOW-90	1			
11	31HA-10080				ELBOW-45D,ORFS	2			
12	31HF-20090				COUPLING-SCREW	1			
13	31L7-50010				CLAMP	1			
14	S631-014004				O-RING	2			
15	S611-009001				O-RING	1			
16	S611-012001				O-RING	3			
17	S611-016001				O-RING	5			
18	S621-011001				O-RING	3			
19	S621-012001				O-RING	12			
20	31HA-10090				CLAMP-HOSE	1			
21	31HH-10020				CLAMP-HOSE	2			
22	S035-082526				BOLT-W/WASHER	2			
23	S035-084026				BOLT-W/WASHER	2			
24	S037-102516				BOLT-W/WASHER	4			
25	31HA-10140				GROMMET	1	-		20D
25	S760-080614				GROMMET	1	#0119 #0120 -	D	20D

Diesel Engines

ABS	Agco-Sisu
Akasaka	Baudouin
BMW	Bukh
Caterpillar	CHN 25/34
Cummins	Daihatsu
Detroit	Deutz
Doosan-Daewoo	Fiat
Ford	GE
Grenaa	Guascor
Hanshin	Hatz
Hino	Honda
Hyundai	Isotta
Isuzu	Iveco
John-Deere	Kelvin
Kioti	Komatsu
Kubota	Liebherr
Lister	Lombardini
MAK	MAN B&W
Mercedes	Mercruiser
Mirrlees BS	Mitsubishi
MTU	MWM
Niigata	Paxman
Perkins	Pielstick
Rolls / Bergen	Ruggerini
Ruston	Scania
Shibaura	Sisu-Valmet
SKL	Smit-Bolnes
Sole	Stork
VM-Motori	Volvo
Volvo Penta	Westerbeke
Wichmann	Yanmar

Machinery

ABG	Airman
Akerman	Ammann
Astra	Atlas Copco
Atlas Weyha.	Atlet
Bell	Bendi
Bigjoe	Bobcat
Bomag	BT
Carelift	Case
Caterpillar	Cesab
Challenger	Champion
Claas	Clark
Combilift	Crown
Daewoo-Doosan	Demag
Deutz-Fahr	Dressta

Machinery

Drott	Dynapack
Extec	Faun
Fendt	Fiat
Fiatallis	Flexicoil
Furukawa	Gehl
Genie	Grove-gmk
Halla	Hamm
Hangcha	Hanix
Hanomag	Hartl
Haulpack	Hiab
Hidromek	Hino truck
Hitachi	Hyster
Hyundai	IHI
Ingersoll-rand	JCB
JLG	John-Deere
Jungheinrich	Kalmar
Kato	Kioti
Kleeman	Kobelco
Komatsu	Kramer
Kubota	Lamborghini
Landini	Liebherr
Linde	Link-belt
Manitou	Massey-Ferg.
Mccormick	MDI-Yutani
Mitsubishi	Moxy
Mustang	Neusson
New-Holland	Nichiyu
Nissan	OK
OM-Pimespo	others-tech
Pel-Job	PH-mining
Poclain	Powerscreen
Same	Samsung
Sandvik	Scania
Schaefer	Schramm
Sennebogen	Shangli
Shibaura	Steiger
Steinbock	Steyr
Still	Sumitomo
Super-pac	Tadano
Takeuchi	TCM
Terex	Toyota
Valpadana	Venieri
Versatile	Vogele
Volvo	Weidemann
Wirtgen	Yale
YAM	Yanmar