

# SCANIA

## parts catalogue

**TRUCK**  
**P114 GB6X4NZ 340**

Chassis serial No : 1261197  
VIN-Number YS2P6X400Y1261197

**DIESEL ENGINE**  
**DC11 01**

Serial No : 6113089

*Technical Library <http://engine.od.ua>*

**0 General**

**1 Engine**

**2 Cooling system**

**3 Fuel and exhaust system**

**4 Clutch**

**5 Gearbox, Power take-off**

**6 Propeller shaft**

**7 Front axle**

**8 Rear axle**

**9 Hubs and wheels**

**10 Compr. air system/Brakes**

**11 Frame**

**12 Suspension**

**13 Steering**

**14 Engine control**

**16 Electrical system**

**17 Instruments**

**18 Cab**

**19 Complementary equipment**

**20 Load carrying bodywork**

VIN-Number	YS2P6X400Y1261197	Vehicle type	Rigid (truck) with one trailer
Factory Warranty, valid until	2001-10-30	Bodywork	Tipper/dumper
Delivery date	2000-10-30	Op.	Distribution
Invoice date	2000-06-08	Gross weight	42
Assembly date	2000-05-22	Order Number	0523189
Current distributor, country	AU	Order type	A
Invoicing distributor, number	67014	Delivery mode	CBU
Local dealer number		Status	To enduser
Original distributor, number	67012		

### 00 General

Assembly level	Completely Build Up	Product class	Truck
Development level	4	Wheel configuration	6x4
Front-wheel drive	No	Axle distance	5100 mm
Steering wheel position	RHD, Right hand	Chassis width	2500 mm
Chassis class	G	Chassis adaptation	B, Basic
Chassis height	N, Normal	Suspension system	Z, Leaf spring front + rear
Operator's manual language	English	Operator's man extra language	Without
Axle weight front, technical	7500 kg	Bogie weight, technical	21000 kg (10500 kg + 10500 kg)
Technical total weight	28500 kg		

### 01 Engine

Engine stroke volume	11	Engine type, vehicle	DC11 01 /340 hp
Engine type symbol	DC11 01 L01	Serial. no original	6113089
Power take-off, engine, prep.	Without	White smoke limiter	With
Turbo charger position	Side centre low	Precleaner air intake	With
Air cleaner safety filter	Without	Air cleaner supplier	Scania 6616
Noise dampening	84 dBA acc. to ISO 362	El. engine heater/cab socket	Without
Crankcase ventilation, type	Open	Noise reducing valve	Without
Piston, type	Aluminium		

### 02 Cooling system

Radiator	With 0.60 m <sup>2</sup>	Charge air cooler	Air cooled
----------	--------------------------	-------------------	------------

### 03 Fuel and exhaust systems

Fuel	Diesel	Injection system	PDE
EDC Electronic diesel control	With	Fuel tank	Left hand side
Fuel volume, right side	Without	Fuel volume, left side	450 litres
Fuel tank sectional area	Normal	Fuel tank material	Steel
Fuel heater	Without	Fuel tank location	Normal
Fuel tank filler cap	With safety valve	Fuel filter engine mounted	Without water separator
Fuel filter chassis mounted	Without	Exhaust outlet, direction	Vertikal

### 04 Clutch

Clutch, frictiontype	K432 16	Torque converter	Without
----------------------	---------	------------------	---------

### 05 Gearbox

Gearbox	GRS900	Serial. no original	7003823
Gear shift control	Mechanical	Oil cooling for gearbox	Without
Power take off	EG600	Power take-off, for clut connection	Without
Power take-off, gearbox conec.	With hydraulic pump conn.	Power take-off gear independ.	Without
Folding gear lever	Without		

### 06 Propeller shaft

Propeller shaft type	P600	Strength/tube length propshaft	P600/869
Prop shaft, intermediate qty.	1 pieces	Strength/tube lgth int.props 1	P610/1275

Bogie propeller shaft	P520		
<b>07 Front axle</b>			
Front axle, type	AM920	Chassis height	N, Normal
<b>08 Rear axle</b>			
Rear axle, type	AD1300	Bogie weight, technical	21000 kg (10500 kg + 10500 kg)
Axle gear first	RB660	Serial. no original	9024646
Axle gear second	R660	Rear axle gear ratio	3,42
Differential lock	With	Hub reduction, rear	Without
<b>09 Hubs and wheels</b>			
Hub reduction, rear	Without	Wheel, type	Disc
Rim material	Steel	Rim diameter front axle	22.5"
Rim width front axle	8.25	Rim diameter rear axle	22.5"
Rim width rear axle	8.25	Rim diameter spare wheel	Without
Rim width spare wheel	Without	Tyre dimension front axle	295/80 R22.5
Tyre dimension rear axle	295/80 R22.5	Tyre dimension spare wheel	Without
Tyre calc. roll. radius front	Group D= 510 mm	Tyre rolling circumference driving axle	3270 mm
Tyre supplier front axle	Michelin	Tyre supplier rear axle	Michelin
Tyre, pattern front axle	XZE2	Tyre, pattern rear axle	XDE2
Tyre speed index front axle	M=max. 130 km/h	Tyre speed index rear axle	M=max. 130 km/h
Tyre load index front axle	152	Tyre load index rear axle	148
<b>10 Brakes</b>			
Wheel brake	Drum	Brake category	D
Adjustm, brake slack adjuster	Manual	Brake shoe width, front axle	178 mm (7")
Brake shoe width, rear axle	203 mm (8")	Brake chamber type 1st front	Membrane+spring
Brake chamber area, 1st front	20 in <sup>2</sup>	Brake chamber type, 1st rear	Membrane+spring
Brake chamber area 1st rear	24 in <sup>2</sup>	Brake chamber type, 2nd rear	Membrane
Brake chamber area, 2nd rear	24 in <sup>2</sup>	Brake shoe make	MM Scania MM
Anti vibr.set in brake chamber	Without	Traction control	Without
ABS, Anti-lock brakes	Without	EBS Electronic brake system	Without
Interlock valve, parking brake	With	Foot brake valve, supplier	Bosch
Trailer brake connection	Without	Trailer connector bracket	Without
Trailer brake coupling	Without	Air system, pressure level	9.3 bar
Exhaust brake	With	Exhaust brake control	Automatic
Exhaust brake system	With ECU	Retarder	Without
<b>11 Frame</b>			
Frame, type	F958	Frame material, yield strength	400 N / mm <sup>2</sup>
Chassis colour	Sub grey	Frame overhang rear(me.ment J)	2295 mm
Dimension JE	3430 mm	Hole pattern for bodywork	Basic pattern
Tow beam	Without	Bumper	Steel 3 mm
Lateral protection	Without	Spare wheel carrier	Without
AJ- Power Frame number			
<b>12 Suspension</b>			
Suspension system, front	Parabolic	Suspension front, leaf springs	3x29
Suspension system rear	Parabolic	Suspension rear, leaf springs	4x41
Bogie type	BT200B	Bogie distance	1355 mm
Anti-roll bar, front	Extra stiffness	Anti-roll bar, rear axle	With
<b>13 Steering</b>			
Power steering gear	TAS 85	Serial. no current	505545
Steering gear ratio	18,6:1	Steering system	1-circuit

Steering force 70/311 92/62EEC	No	Air bag in steering wheel	Without
Steering wheel adjustment	With	Steering lock	With
<b>14 Engine controls</b>			
Speed limiter	With		
<b>16 Electrical system</b>			
Coordinator for control system	Without	Alternator charge	65 A
Alternator charge placing	Left low	Battery	175 Ah
Battery master switch	Without	Starter motor	1-pole 24 V JE
Engine starting aid device	Without	Head lamp protection	Without
Headlamp washer/wiper	Without	Headlamp asymmetry	Left hand
Headlamp height control	Without	Side marker lamps	Without
Fog and spot lamp in bumper	Without	Automatic dipped beam	Without
End outline marker lamp	White	Foglamp, rear	Without
Reversing light	With	Work lamp	Without
Beacon	Without	Horn	Compressed air
Brake pressure lamp test	With	Electrical components ground	Chassis grounded
Diagnostics, electrics	With	Scania Alert	Without
<b>17 Instruments</b>			
Speedometer / Tachograph	7-day tachometer	Speed limitation	100 km/h
Speed indicator lamp	Without	Trip and outdoor temp. gauge	With
Axle weight gauge	Without		
<b>18 Cab</b>			
Cab type	CP	Cab length	14 dm
Roof height	Low	Cab, special adaption	Without
Serial. no original	7189873	Cab colour	White Ivory
Boarding step front	Fixed, plate-mounted	Tinted glass	Without
Window, rear wall, cab	With	Door window	Single glass
Window winder control	Electric driver+passenger side	Cab temperature control	Electric
Air conditioning	With	Auxiliary heating	Without
Cab suspension	2-point air	Roof hatch	Without
Interior side sun visor	With	Central locking	Without
Roof rail	With	Roof rack	Without
Air deflector	Without	Seat, driver	Type A
Seat category, driver side	Medium	Seat passenger	Type A
Seat category, passenger side	Medium	Slideaway seat passenger side	Without
Arm rest	Without	Upholstery seat	Basic
Upholstery, door	Basic	CB radio	Prepared
Car phone	Prepared	Horn, compressed air	With
Splash guard, front	With	Mudguard rear	Without
Wheel housing	Normal	Seat belt passenger side	Without
Warning signal uncon.seat belt	Warning lamp	Air bag in steering wheel	Without
Seat belt pretensioner	Without	VPS vehicle protection system	Without
Frontview mirror	Without	Rear view mirrors, heated	With
Rear view mirror type driver	Flat	Rear view mirror, passenger	Flat
Near view/Wide-angle mirror	With	Refrigerator	Without
Rear wall storage	Without	Rear view mirror el. adjustab.	Left+right hand side
Tipper body control valve, preparation	Without	Radio	Prepared
<b>19 Complementary equipment</b>			
Fifth wheel	Without	Mounting plate	Without



Chassis serial No : 1261197

Chassis Type : P114 GB6X4NZ 340

---

Catwalk	Without	Bracket front mounted equip.	Without
ACL aut. chassis lubrication	Without	Dimension JA/BEP L020	3650 mm
Side skirts	Without	Rescue equip. except fire ext.	Without
Beacon	Without	Hose for tyre inflation	20 m
Spare wheel carrier	Without	Fire extinguisher	Without

## 20 Load carrying bodywork

Tipper body control valve, preparation	Without	Bracket for tipper front ram	Without
--	---------	------------------------------	---------

## Deviations from original specification (S-Order)

### FFU-Number

265304

- 263891 Splash guards rear
- 265279 Basic adaption AUS

00-00-0001 Consumables.

No illustration intended for this section.

**00-00-0001 Consumables.**

Footnote Part numbers in this section can not be ordered from Scania. These part numbers are inte

Part no.	Remark	Description
1771732		Air cond. cleaning agent
1771733		Acetone
1771734		Antibact. fluid f climate ctrl
1771735		Antifreeze for washer fluid
1771736		Antifreeze glycol
1771737		Antifreeze glycol
1771738		Antifreeze glycol
1771739		Automatic transmission fluid
1771740		Automatic transmission fluid
1771746		Liquefied petroleum gas
1771747		Chassis grease
1771748		Part cleaning agent
1771749		Part cleaning agent
1771750		Part cleaning agent
1771751		Clutch fluid
1771752		Clutch fluid
1771753		Clutch fluid
1771754		Compressor oil
1771755		Refrigerant oil
1771756		Contact spray
1771757		Corrosion protection
1771758		Diesel
1771759		Disc brake lubricating grease
1771760		Engine cleaning agent
1771771		Liquid gasket
1771772		Window cleaner
1771773		Glass fibre
1771774		Glass fibre filler
1771775		Glue
1771776		Glue
1771777		Glue
1771778		Glue
1771779		Glue
1771780		Glue
1771781		Glue
1771782		Glue
1771783		Glue
1771784		Glue
1771786		Lubricating grease
1771787		Lubricating grease
1771788		Lubricating grease
1771789		Lubricating grease
1771790		Lubricating grease
2002537	225 g	Grease
		Rubber
1771791		Hydraulic oil
1771792		Hydraulic oil
1771793		Hydraulic oil

**00-00-0001 Consumables.**

Part no.	Remark	Description
1771794		Hydraulic oil
1771795		Leak detection spray
1771796		Oil absorbent
1771797		Paint
1771798		Paint
1771799		Paint
1771800		Paint
1771801		Paint
1771802		Paint
1771803		Paint
1771804		Paint
1771805		Paint
1771806		Paint
1771807		Self hardening filler
1771808		Polishing wax
1771809		Polyester
1771810		Polyester hardener
1771811		Radiator sealing cement
1771812		Refrigerant
1771813		Refrigerant
1771814		Refrigerant
1771815		Wheel rim cleaning agent
1771816		Rape methyl ester
1771817		Sealant
1771818		Sealant
1771819		Sealant
1771820		Sealant
1771821		Sealant
1771822		Sealant
1771823		Sealant
1771824		Sealant
1771825		Sealant
1771826		Sealant
2033249	50 ml	Sealant
		Rear wheel hub
1771827		Silicone paste
1771828		Soldering paste
1771829		Thinner
1771830		Thinner
1771831		Thinner
1771832		Thinner
1771833		Thinner
1771834		Lubricating spray
1771835		Lubricating spray
1771836		Lubricating spray
1771837		Lubricating spray
1771838		Lubricating spray
1771839		Starter gas
1771840		Textile cleaning agent



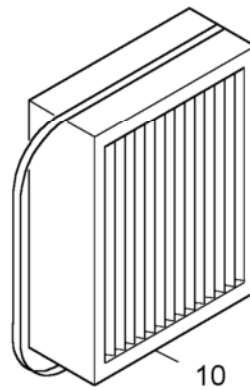
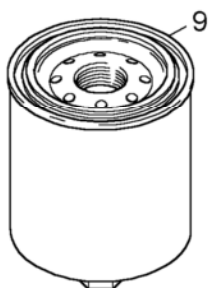
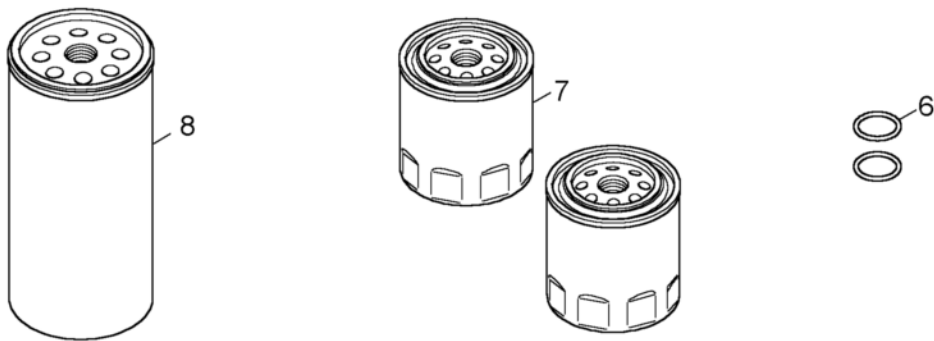
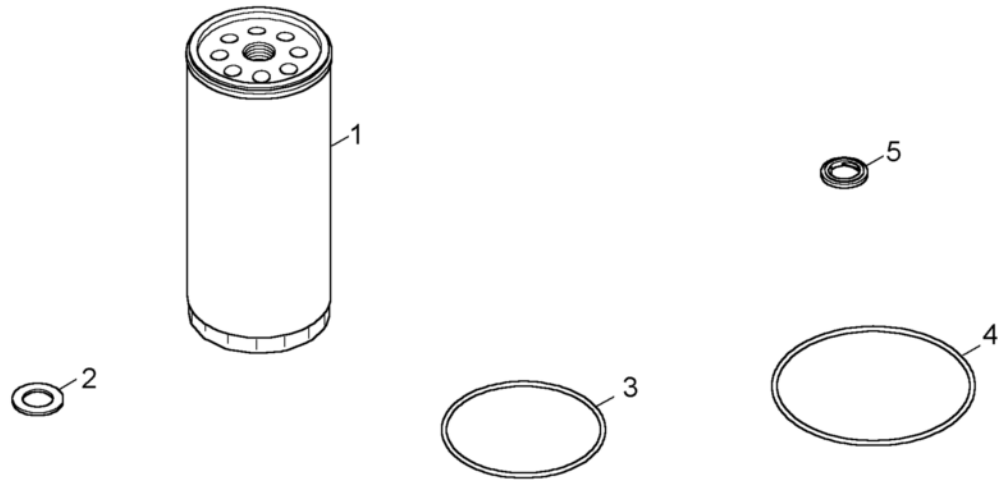


**00-00-0001 Consumables.**

<b>Part no.</b>	<b>Remark</b>	<b>Description</b>
1771846		Autowasher liquid
1771847		Vehicle shampoo
1793205		Marking compound
2033697	130x20dm <sup>3</sup>	Corrosion protection
2033698	250x20dm <sup>3</sup>	Corrosion protection
2033699	50x1dm <sup>3</sup>	Corrosion protection



00-10-4610 Inspection kit. L. D9/DC11/D12 PDE. 9.3bar



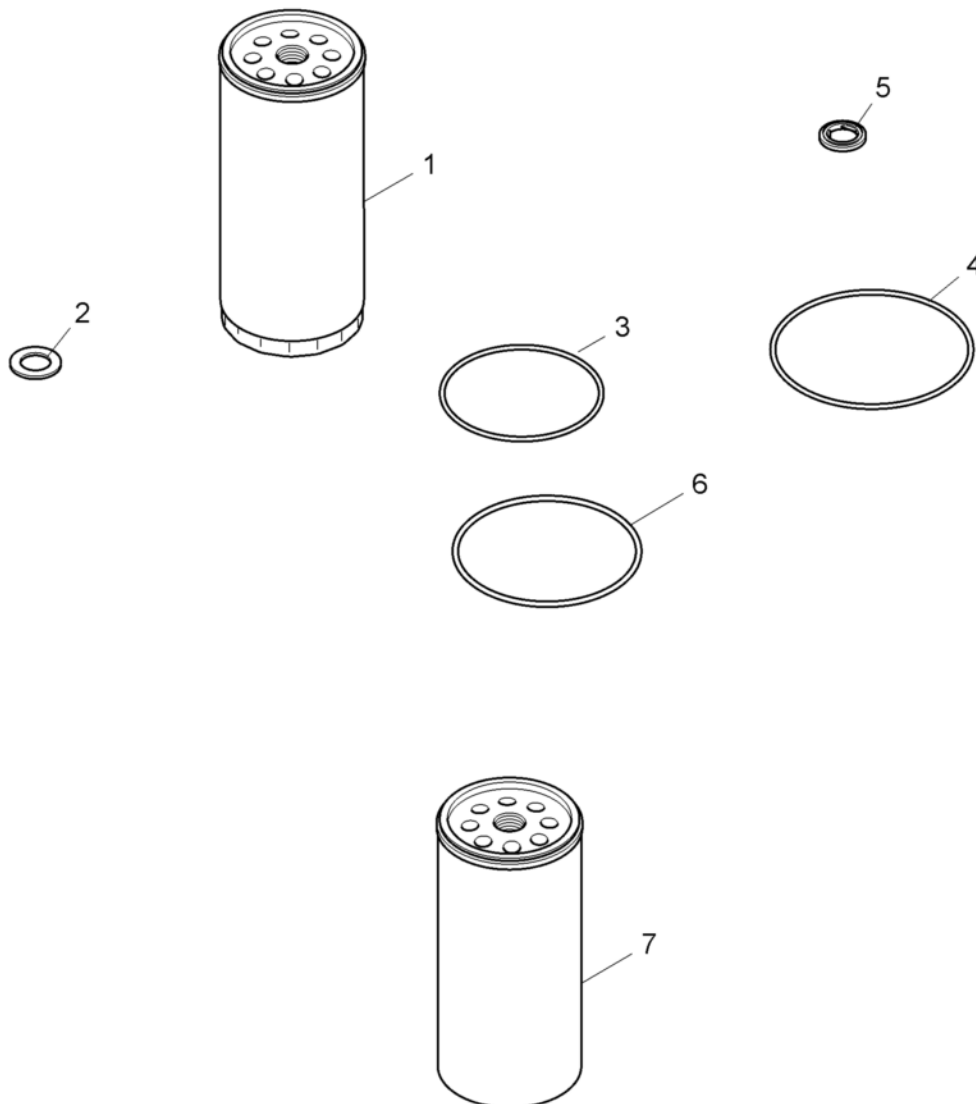
118989

**00-10-4610 Inspection kit. L. D9/DC11/D12 PDE. 9.3bar**

Pos	Part no.	Remark	A	Description
	1732952		1	Inspection kit
1	1117285		1	•Oil filter
2	165286		1	•Gasket
3	1769798	372984 120x114x3	1	•O-ring
4	1769799	372985 133,0x3,53	1	•O-ring
5	1439814	1423610 24,2 x 4,2	1	•Sealing washer
6	804664	29,2x3	2	•O-ring
7	1768402	1301696	2	•Oil filter
8	1763776	1411894	1	•Fuel filter
9	1774598	1384549 Wabco	1	•Desiccant
10	1913503	1420197	1	•Filter



00-10-4640 Inspection kit. S. D9/DC11/D12 PDF



320704

**00-10-4640 Inspection kit. S. D9/DC11/D12 PDF**

<b>Pos</b>	<b>Part no.</b>	<b>Remark</b>	<b>A</b>	<b>Description</b>
	1732951		1	Inspection kit
1	1117285		1	•Oil filter
2	165286		1	•Gasket
3	1769798	372984 120x114x3	1	•O-ring
4	1769799	372985 133,0x3,53	1	•O-ring
5	1439814	1423610 24,2 x 4,2	1	•Sealing washer
6	1769800	1475433 117,07 x 3,53	1	•O-ring
7	1763776	1411894	1	•Fuel filter

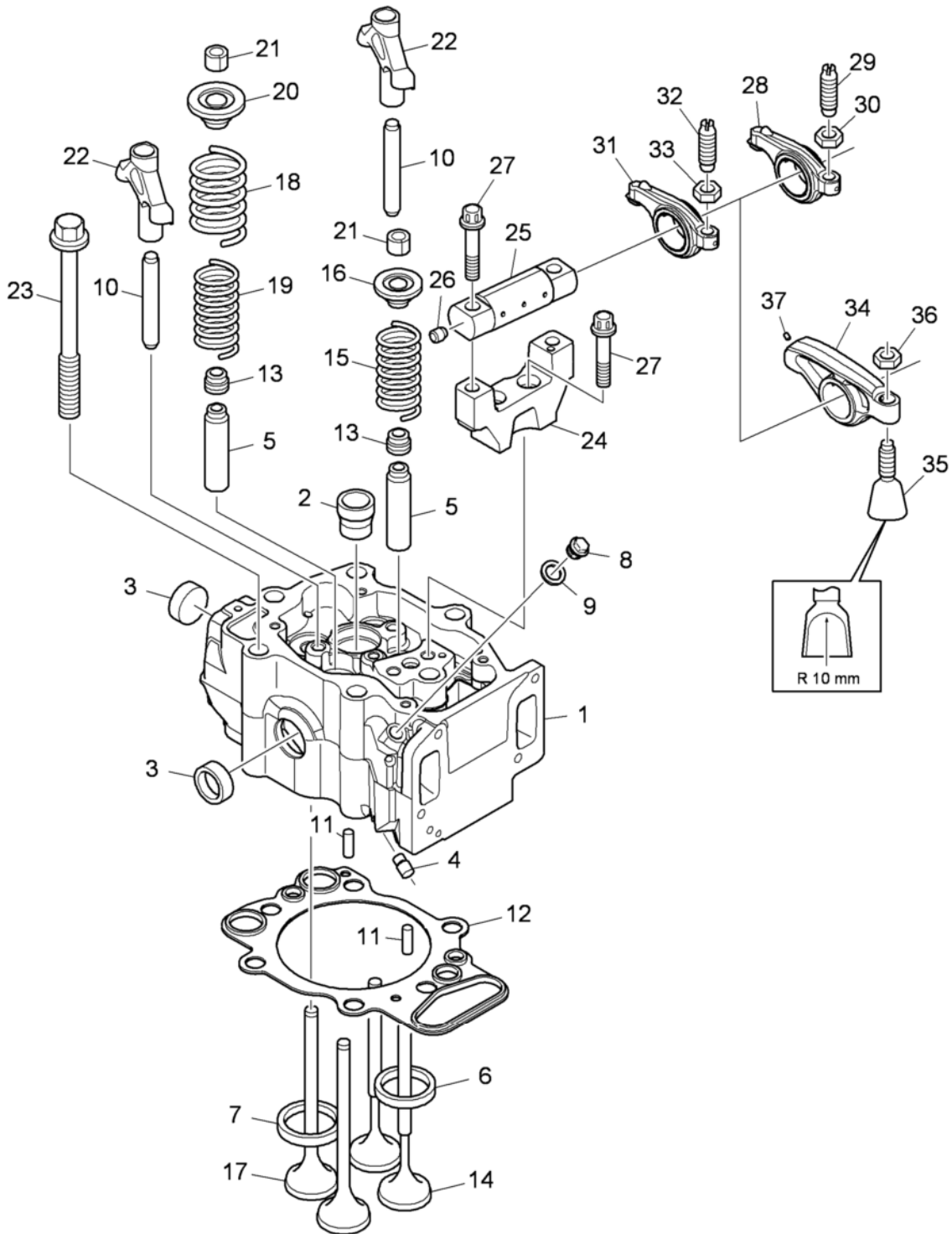
01-00-1102 Engine assy. DC11 CP/CR/CT 114

No illustration intended for this section.

**01-00-1102 Engine assy. DC11 CP/CR/CT 114**

Qty                    A  
                          B CP  
                          C CR  
                          D CT

Part no.	Remark	B	C	D	Description
577021	DC11 01 340hp EURO 2	1	1	1	Exchange engine
572572	577028 DC11 02 380hp EURO 2	1	1	1	Exchange engine
572577	DC11 03 340hp EURO 3 Lug-mounted alternator. Engine suspension, old version.	1	1	1	Exchange engine
572626	DC11 03 340hp EURO 3 Cradle-mounted alternator. Engine suspension, new version.	1	1	1	Exchange engine
572578	DC11 04 380hp EURO 3 Lug-mounted alternator. Engine suspension, old version.	1	1	1	Exchange engine
572627	DC11 04 380hp EURO 3 Cradle-mounted alternator. Engine suspension, new version.	1	1	1	Exchange engine
572578	577027 DC11 04 380hp EURO 3A	1			Exchange engine

**01-01-1102 Cylinder head, DC11 01/02/03/04/06**


144697



**01-01-1102 Cylinder head. DC11 01/02/03/04/06**

Series no.                    EN 6102922-6104628 SSS  
                                   EN 6105126-6150649 SSS  
                                   EN 3138022-8021834 SLA

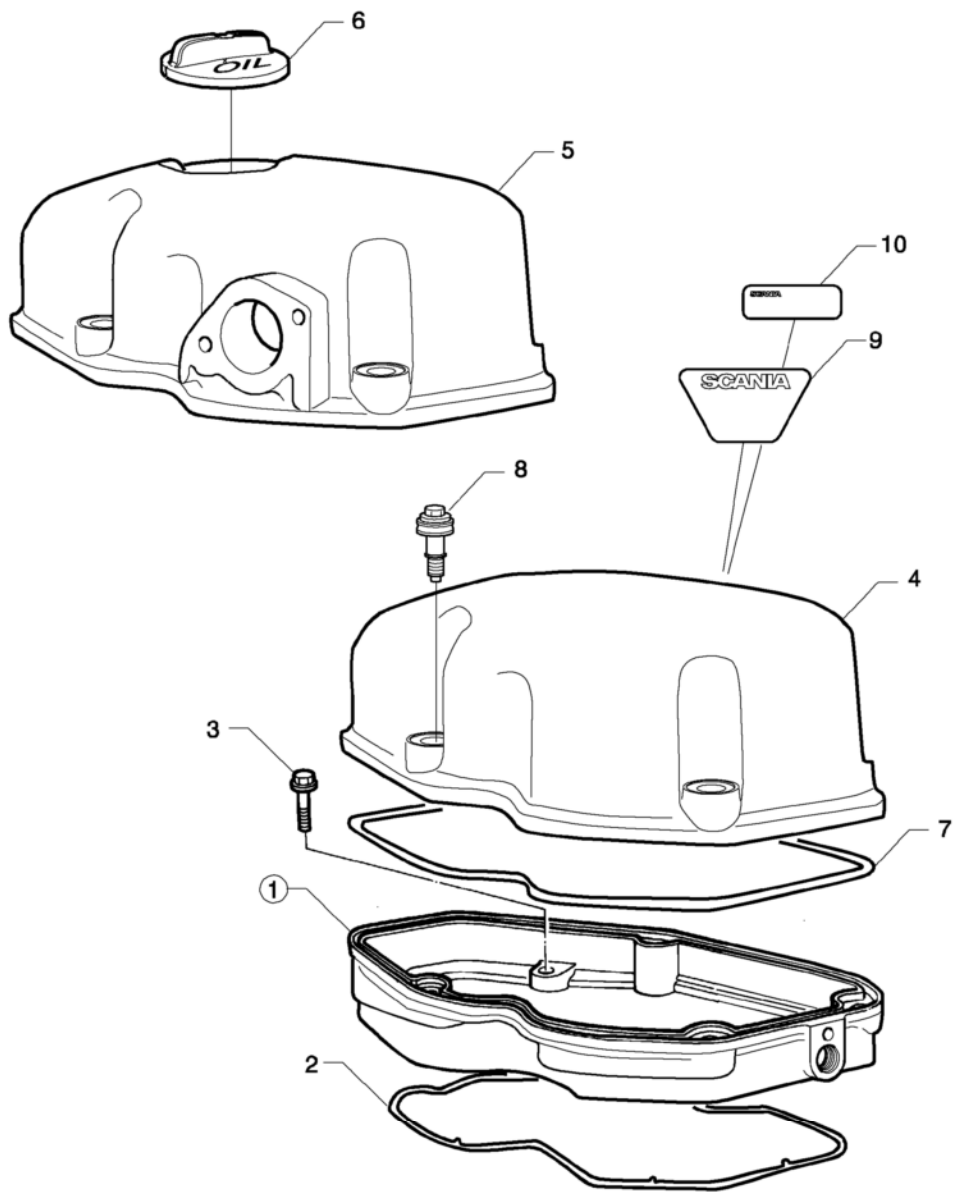
Pos.	Part no.	Remark	A	Description
		See Ti, also VALID for EN		
		6101959, 6102168, 6102169		
		6102170, 6102180, 6102189		
		6102203, 6102229, 6102355		
		6102431, 6102444, 6102496		
		6102517, 6102566, 6103127		
1	1912792	X 1846125	6	Cylinder head
	570073		6	Cylinder head
2	1857051	1365196	1	•Sleeve
3	1345683	ø 36 mm	2	•Core plug
4	1436192	1357265 ø 6 mm	2	•Rivet plug
	1752972	1743127 ø 7 mm For 1743124	4	•Rivet
5	1940008	1403823	4	•Valve guide
6	1510399	intake, std	2	•Valve seat insert
	1510400	intake, osz	2	Valve seat insert
7	2008345	1805493 exhaust, std	2	•Valve seat insert
	1805494	1403829 exhaust, osz	2	Valve seat insert
8	812371	M12x1.5x9	1	•Screw plug
9	1373791	ø 12mm	1	•Sealing washer
10	1798631	803509	12	Pin
11	803466	8x20	12	Pin
12	1444941	K 1403260	6	Cylinder head gasket
13	1920860	K 1328563	24	Valve stem seal
14	1886246	1785076	12	Repair kit
15	1519700	1307117	12	Valve spring
16	1305723	intake	12	Valve spring collar
17	1886247	1791152	12	Repair kit
18	1519702	1307115	12	Valve spring
19	1519701	1307116	12	Valve spring
20	1305724	exhaust	12	Valve spring collar
21	377338		48	Split collet
22	1919609	1860186	12	Valve bridge
23	1852442	1451946	36	Screw
24	1487541	1364741	6	Bearing bracket
25	1381972	assy	6	Shaft
26	1436192	1357265 ø 6 mm	6	•Rivet plug
27	1487542	1445924	24	Tight-fit screw

**01-01-1102 Cylinder head. DC11 01/02/03/04/06**

Pos	Part no.	Remark	A	Description
28	1447060	1411041 intake	6	Rocker arm
29	1375882	M10	6	•Adjusting screw
30	394642	M10	6	•Hexagon nut
31	1447065	1411037 exhaust	6	Rocker arm
32	1375882	M10	6	•Adjusting screw
33	394642	M10	6	•Hexagon nut
34	1756255	1480991	6	Rocker arm
35	1863494	1534642	6	•Adjusting screw
36	815115	M12	6	•Hexagon nut
37		nsp	6	•Rivet plug
	551363	See reference 1/99/179	6	Gasket kit
				Cylinder head
	551356	This part is subject to European environmental legislation. Please see "Technical Information Library" for part-specific	1	General overhaul kit



01-01-1132 Rocker cover. DC11 01/02/03/04/06



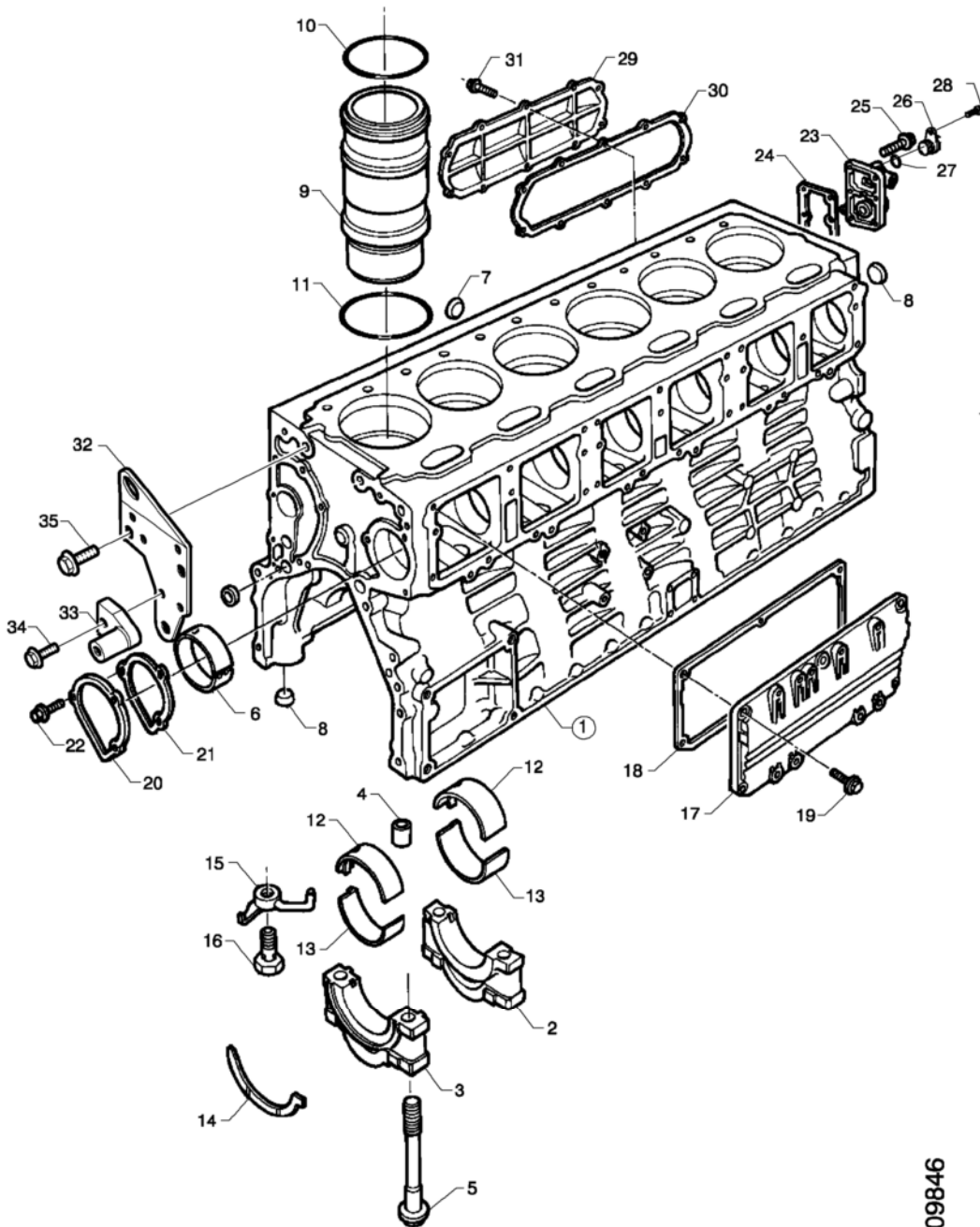
109642

**01-01-1132 Rocker cover. DC11 01/02/03/04/06**

Pos	Part no.	Remark	A	Description
	1476399	1398886 lo		Rocker cover
2	1542104	K 1476506 lo	6	Rocker cover gasket
3	812519	M8x30	24	Flange screw
4	1511983	1398884	5	Rocker cover
5	1511984	1408903	1	Rocker cover
6	931106		1	Filler cap
7	1411851	K up	6	Rocker cover gasket
8	1422162	1402682	30	Flange screw
9	1386347		1	Instruction plate
10	1407297	DC11 01	1	Plate
	1407298	DC11 02	1	Plate
	1413507	DC11 03	1	Plate
	1413514	DC11 04	1	Plate
	1489030	1432218 DC11 06	1	Plate
	1489030	DC11 06 K114 - 2001 Latin America produced vehicles.	1	Plate
	1497155	DC11 06 K114 - 2002	1	Plate
	1515412	DC11 06 K114 - 2003	1	Emission plate
	551363	See reference 1/99/179	1	Gasket kit
	551356	This part is subject to European environmental legislation. Please see "Technical Information Library" for part-specific	1	General overhaul kit



01-05-1103 Cylinder block, DC11



109846

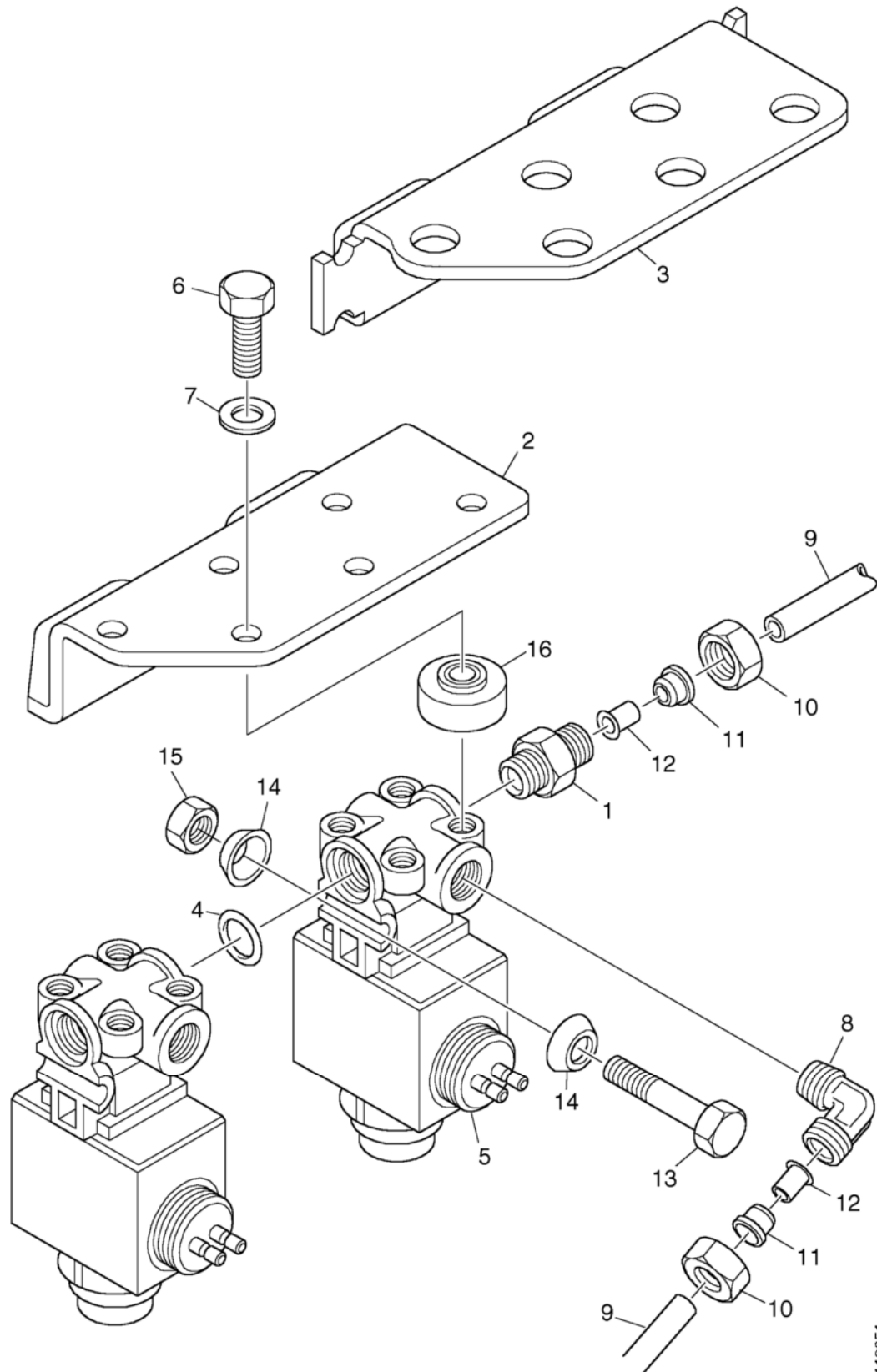
**01-05-1103 Cylinder block. DC11**

 Series no.                    EN -6298836 SSS  
                                       EN -8081094 SLA

Pos.	Part no.	Remark	A	Description
1	1424706	1425318 repl	1	Cylinder block
2		nss	6	•Bearing cap
3		nss	1	•Bearing cap
4	131018		14	•Guide
5	1305328	M18x165	14	•Screw
6	1412298	1332762	7	•Bearing bush
7	1345683	ø 36 mm	2	•Core plug
8	1378301	ø 21 mm	6	•Core plug
9	1868157	K 1484492	6	Cylinder liner
9	1941993	osz	6	Cylinder liner
10	1862376	K 1433063	6	O-ring
10	1768938	ø 142.5x3.5 mm For osz cyl.liner	6	O-ring
11	1328995	K ø 147.5x4 mm	6	O-ring
+13	1779130	1729990 STD	7	•Bearing
	1777779	1465337 usz -0.25, assy	7	Bearing
	1777780	1465338 usz -0.50, assy	7	Bearing
	1777781	1465339 usz -0.75, assy	7	Bearing
	1777782	1465340 usz -1,00, assy	7	Bearing
12	1444616	Latin America produced vehicles.	7	•Main bearing
13	1444617	Latin America produced vehicles.	7	•Main bearing
14	1350815	STD	4	Thrust bearing
	1439892	osz +0.16	4	Thrust bearing
	1439893	osz +0.26	4	Thrust bearing
	1439894	osz +0.52	4	Thrust bearing
	1439895	osz +1.02	4	Thrust bearing
	1444619	Latin America produced vehicles.	4	Thrust bearing
15	1375429		6	Piston cooling nozzle
16	278082	M10x1	6	Banjo screw
17	1420745	1372110	3	Side cover
18	1374326	K	3	Gasket
19	1402555	M8x30	21	Flange screw
20	1376454		1	Cover
21	1375387	K	1	Gasket
22	812516	M8x20	3	Flange screw
23	1413932	1364372 P/R/T114	1	Flange pipe

**01-05-1103 Cylinder block. DC11**

Pos	Part no.	Remark	A	Description
	1413932	1364372 P/R/T114 Latin America produced vehicles.	1	Flange pipe
	1745349	P/R/T114 Latin America produced vehicles.	1	Flange pipe
	1413933	P/R/T114 With retarder.	1	Flange pipe
	1413933	P/R/T114 Air intake - rear high	1	Flange pipe
	1413933	P/R/T114 For automatic gearbox.	1	Flange pipe
	1413933	K114	1	Flange pipe
	1539308	P/R/T114 With retarder.	1	Flange pipe
24	1374325	K	1	Gasket
25	812516	M8x20	6	Flange screw
26	1347329		1	Plug
27	393187	K 11.3x2.4	1	O-ring
28	812989	M6x16	1	Self-tapping screw
29	1545741	1501178	1	Cover
	1423468	1373385 Gearbox with oil cooling.	1	Cover
		See reference 5/		Oil cooler
30	1375383		1	Gasket
31	812521	M8x40	10	Flange screw
32	1531014	1407896	1	Lifting eye
33	1442335		1	Bracket
	1407899	Latin America produced vehicles.	1	Bracket
34	812537	M10x30	1	Flange screw
35	1368493	M12x30	3	Flange screw
	1506685	1456856	1	Plate
				Shim
				Cylinder liner
	1546787	TH 0,2 mm	1	Shim
	1546788	TH 0,3 mm	1	Shim
	1546789	TH 0,4 mm	1	Shim

**05-35-0316 Controls. Power take-off.**


118651

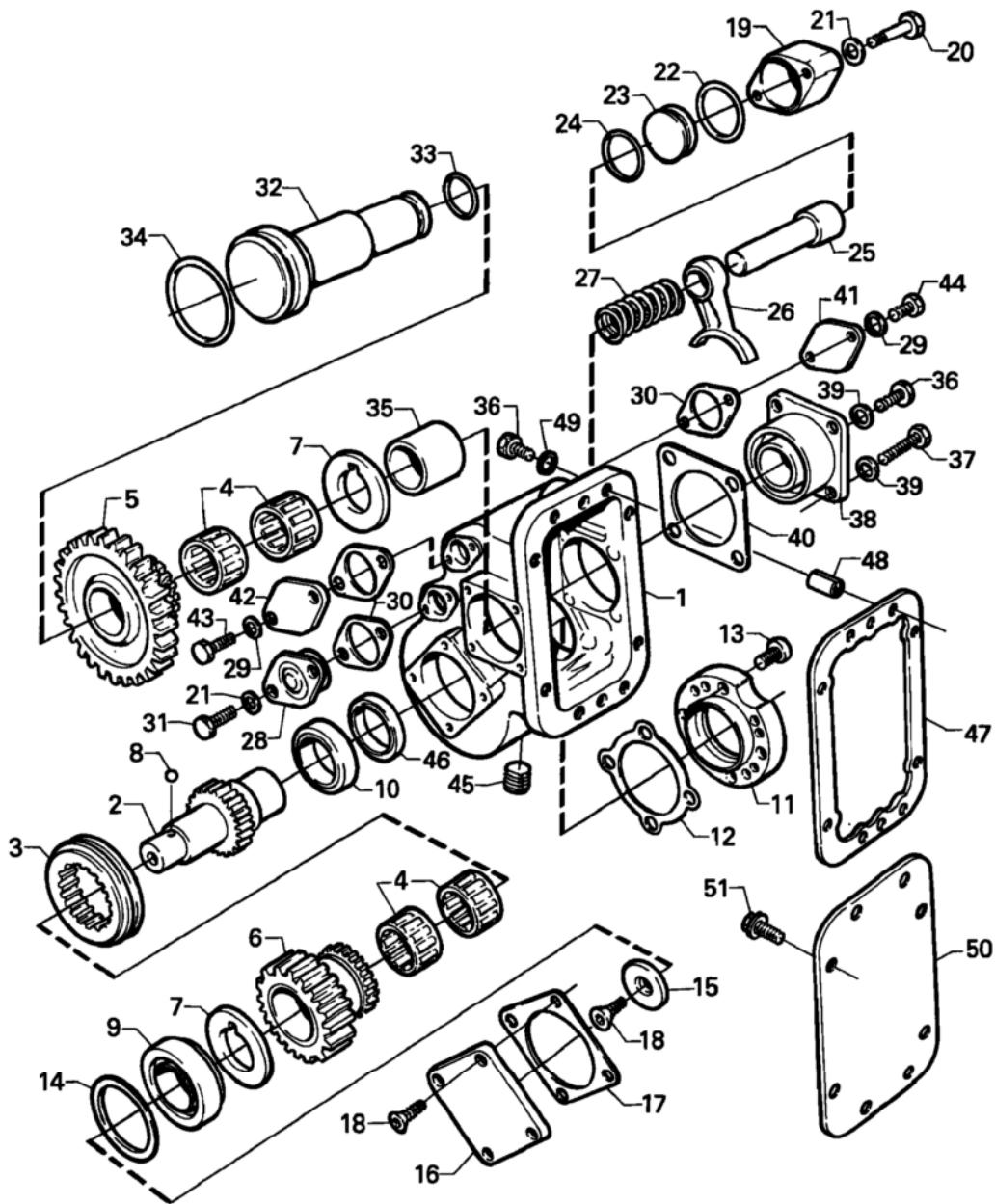


**05-35-0316 Controls. Power take-off.**

Pos	Part no.	Comp. co	Remark	A	Description
1	307255		M12x1	2	Straight union
3	1427841		CP/R RHD	1	Bracket
4	313700			1	O-ring
5	1536304		1421322	1	Solenoid valve
		V43	EK		
		V13	EG		
6	801992		M6x20	2	Hexagon screw
7	802995		6.4x12	2	Washer
8	302614			1	Elbow union
			nss	1	Pipe assembly
9	1483543		813016 ø 6	m	•Plastic pipe
10	812887		ø 6	2	•Union nut
11	813220		ø 6	2	•Ferrule
12	1358978		ø 6	2	•Insert sleeve
13	802193		M6x40	1	Screw
14	305479			2	Cone
15	815122		M6	1	Hexagon nut
16	1425744		CP/R RHD	4	Vibration insulator



05-35-0007 Power take-off. EG 600/601/602



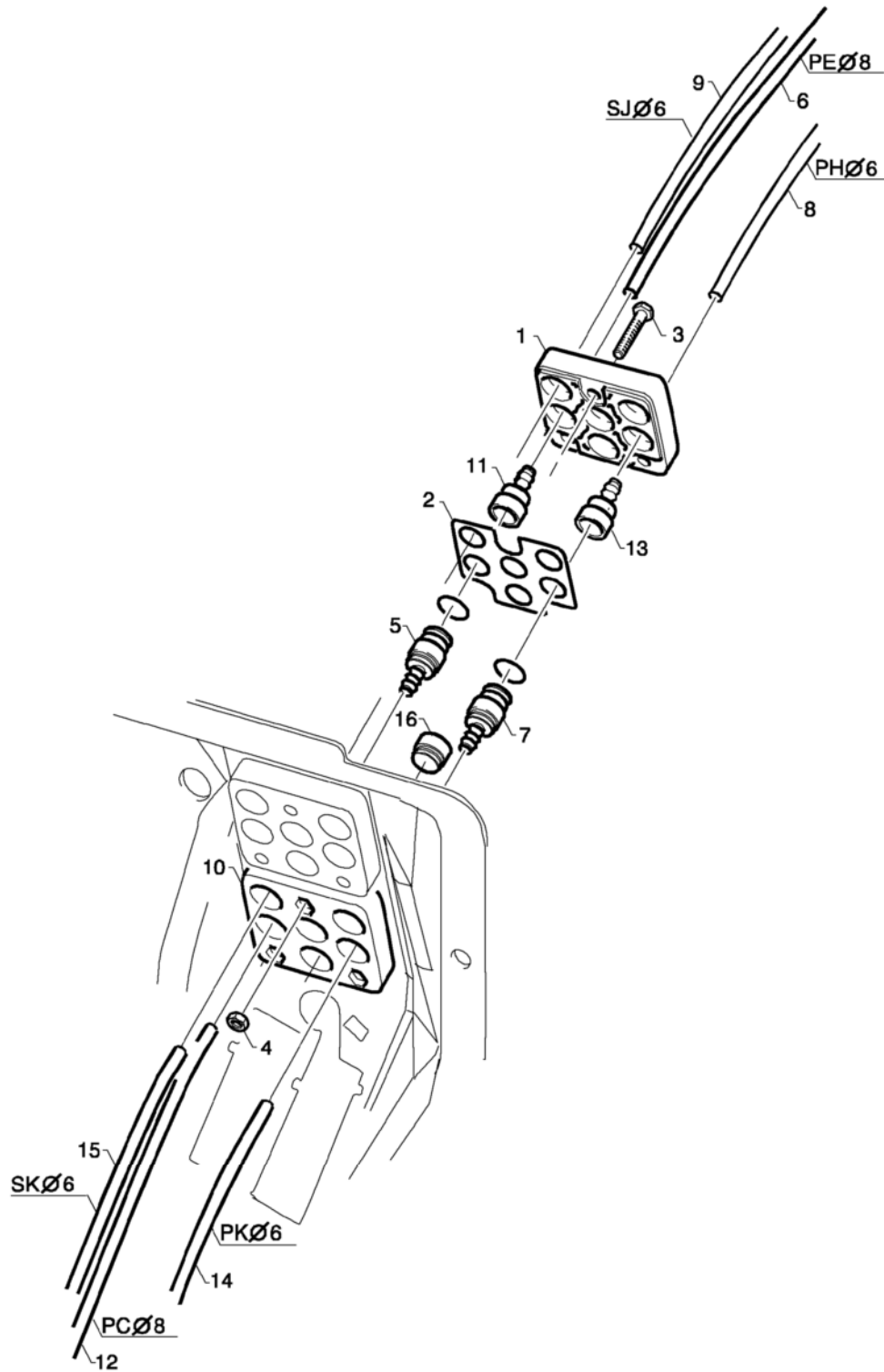
22055

**05-35-0007 Power take-off. EG 600/601/602**

Qty                    A  
                           B EG 600  
                           C EG 601  
                           D EG 602

Series no.            CH -1291177 SSS  
                           CH -4498394 SNL  
                           CH -9082385 SAN  
                           CH -3543133 SLA

Pos	Part no.	Remark	A	B	Description
	1300175			1	Power take-off
1	1300177		1		•Housing
2	1358351		1		•Shaft
3	214236		1		•Sleeve
4	234414		4		•Needle roller bearing
5	1109765			1	•Gear
6	1300179			1	•Gear
7	234417		2		•Washer
8	214369	∅ 5	1		•Ball
9	234411		1		•Roller bearing
10	1302558		1		•Bearing
11	1300191		1		•Flange
12	387328		1		•Gasket
13	809844	M12x25	4		•Hexagon socket screw
14	214052	0.25mm	1		•Shim
	214053	0.3mm	1		•Shim
	214054	0.4mm	1		•Shim
	214055	0.5mm	1		•Shim
15	244543		1		•Washer
16	244542		1		•Cover
17	387306		1		•Gasket
18	805619	224671 M8x20	3		•Screw
19	1328595		1		•Cylinder
20	808397	M8x50	2		•Screw
21	802998	8.4x16x1.6	2		•Washer
22	353158	32.2x3	1		•O-ring
23	1300195		1		•Piston
24	1352803	39,2x3	1		•O-ring
25	1300196		1		•Shaft
26	1314497		1		•Selector fork
27	214219		1		•Spring
28	1300189		1		•Bush
29	802998	8.4x16x1.6	2		•Washer
30	1302557		3		•Seal
31	801992	M6x20	2		•Hexagon screw
32	1300183		1		•Shaft
33	810968		1		•O-ring
34	810980		1		•O-ring
35	385785		1		•Sleeve
36	814822	M10x30	9		•Hexagon screw

**10-40-0015 Block circuit coupling. Pedal panel.**


J 25451

**10-40-0015 Block circuit coupling. Pedal panel.**

Pos	Part no.	Comp. co	Remark	A	Description
1	1363870			1	Block circuit coupling
2	1367630			1	Seal
3	1367631		M6x35	3	Screw
4	815613		M6	3	Lock nut
5	1529694		1363874 ø 8	1	Firtree union
6	1483544		814805 ø 8	m	Plastic pipe
		PE	See reference 10/30/255		
7	1529693		1363873 ø 6	2	Firtree union
8	1483543		813016 ø 6	m	Plastic pipe
		PH	See reference 10/30/255		
9	1483543		813016 ø 6	m	Plastic pipe
		SJ	See reference 10/40/130		
10	1363871			1	Block circuit coupling
11	1529697		1363877 ø 8	1	Firtree union
12	1483544		814805 ø 8	m	Plastic pipe
		PC	See reference 10/30/810		
13	1529696		1363876 ø 6	2	Firtree union
14	1483543		813016 ø 6	m	Plastic pipe
		PK	See reference 10/30/810		
15	1483543		813016 ø 6	m	Plastic pipe
		SK	See reference 10/40/215		
16	1364349			2	Plug