

SCANIA

parts catalogue

Customized catalog for

DSI 11 81 M 44 D

GENSET ENGINE

s/n 5367905

<http://engine.od.ua/Scania>

0 General

1 Engine

2 Cooling system

3 Fuel and exhaust system

4

5

6

7

8

9

10 Pneumatic System

11

12

13

14 Engine controls

16 Electrics

17 Instruments

18

19

End of Warranty		TVC Date	
Warranty information	Basic warranty is 12 months	Installation	
Start-up date		-Code	
Delivery date	1999-04-23	-Type	GENSET LIMITED TIME
Invoice date	1999-04-23	-Name	
Assembly date	1999-03-22	-Number	
Power standard	ISO 3046	Scania generator set	
Power (KW)	260	Type designation	
Power (HP)	353	Order No Customer	SIM 2818
Power 110% (KW)	286	Order No Factory	21090100
Power 110% (HP)	388	Order type	A
Power curve	LTP	Order customer	
RPM	1800	-Country code & number	NL005
Speed droop	GEN	-Name	Sandfirden Technics T.H.B.V.
Classification code	Not prepared for classification	Distributor	
Classification society		-Country code	NL
Parts catalogue	18836	-Number	001
TVC No		-Name	Sandfirden Technics v/h Laan & Kooy Haventerrein 1 1779 GS DEN OEVER NETHER

00 General

Assembly level	Completely Build Up	Product class	Industrial and marine products
Development level	4	Engine assembly place	TDE
NSE equipment	No	Deviation specification	Without
Classification, prepared	No	Classification company	Without
Conservation	Without	Run-in time	0,5 hour

01 Engine

Alfa-angle	22°	Engine stroke volume	11
Engine type, industrial/marine	DSI11 81	Engine type designation D11A/M	DSI11 81 M44D
Engine adaptation	Generator	Engine application	Marine
Operation speed	1800	Engine rpm.	1800
Sensor tachometer	With magnetic transmission	Speed control, engine speed	4.5%
Engine colour	Primer	Valve shaft sealing	Without
Crankcase ventilation, type	Closed	Crankcase ventilation, placing	Rocker cover
Crank shaft, connection	Cylindrical	Classification crankshaft	No
Bearing shell, make	Federal Mogul	Flywheel	Flywheel SAE 14" coupling
Flywheel pilot hole	Diameter 80 mm	Flywheel housing with screw	Short
Flywheel housing material	Silumin	Flywh. hous.prep for speed sen	Without
Flywheel housing conn.rear end	According to SAE1	Piston, make	Mahle
Piston, gallery cooled	Without	Piston ring type	Keystone
Compression ring surface cond.	Molybdenum	Connection f conv.oil cool	Without
Oil cleaner placing	On left side engine block	Monitor lubrication oil press.	With, type NC
Sensor/guard lubr.oil pressure	Without	Oil filling	In valve cover
Oil filler, rocker cover	Second cylinder	Oil level check,running engine	No
Oil dipstick, placing	Right hand side	Oil drain	With pump
Oil draining placing	Left hand side	Oil pan	Bus type
Oil pan material	Aluminium	Exhaust pipe, direction	Backwards
Exhaust manifold, cooling	Water cooled	Exhaust manifold material	Cast iron
Thermal shield, manifold pipe	Without	Turbocharger	With
Turbo chargers twin mounted	Without	Turbo charger position	Rear
Turbo exhaust pipe	Bend adjustable 114-155	Turbo filter lube oil placing	Right side engine block rear
Intake manifold direction	Rear	Air cleaner safety filter	Without
Air cleaner position	Separate	Precleaner, aircleaner	Without
Air cleaner engine, paper area	10.6 m ²	Precleaner air intake	Without
Engine tilt angle,intermittent	Max 25 degrees	Engine susp. bracket front	Fixed, high 25 mm
Engine suspension bracket rear	Without	Rubber block front	Without
Rubber block rear	Without	Crankshaft damper	Without alfa reading
Protect.cover crankshaftdamper	Without	Surge damper	Without
Power take off engine side	Without	Power take off, fr. crankshaft	Without

Protection cover, belt drive	With	Catwalk	Without
02 Cooling system			
Cooling system engine	Keel-cooling	Radiator suspension	Without
Charge air cooler	Liquid cooled	Charge air by-pass	Without
Fan mounted on engine	Without	Coolant pump	With
Fan ring	Without	Fan cover	Without
Thermostat housing, position	On exhaust manifold	Thermostat engine coolant	Valve
Pulley extra	Without	Pulley crankshaft	2-grooves
Pulley, waterpump	2-grooves	Belt stretcher 1 groove	Without
Belt stretcher 2 grooves	With	Belt stretcher 3 groove	Without
Sea-water pump	Without	Bilge pump	Without
Water pump extra	Without	Expansion tank	Without
Guard/sensor coolant level	With Murphy	Monitor coolant temperature	Without
Sensor coolant temperature	Without	Engine heater, type	External 500W/230V
03 Fuel and exhaust systems			
Fuel	Diesel	Governor, injec.pump, type	RSV 4,5 %
EDC Electronic diesel control	Without	Accelerator position sensor	Without
Fuel, pressure tube	Dubb.wall without lev. monitor	Fuel filter, reversible	With
Fuel filter, position	Right side engine block rear	Fuel heater	Without
Fuel cooler	Without	Monitor fuel leakage	With
Exhaust pipe	With	Exhaust outlet direction	Right hand side
Exhaust flange, diameter	130	Exh.pipe compensator	With
Silencer	Without	Rain protection cap	With
04 Clutch			
Reverse gear	Without	Clutch rear	Without
10 Pneumatic system			
Compressor compressed air	Without	Exhaust brake	Without
13 Hydraulic pump			
Hydraulic pump, steering gear	Without		
14 Engine controls			
Engine stop, ordinary	Without	Accelerator control	Electronic
16 Electrical system			
Electrical syst. SjöV classif.	Without	Alternator engine mounted	Without
Starter, type	JE	Start engine	2-pole
Start engine	Electric	Engine starting aid device	Without
Extension cord, instrum.	Without	Cable harness engine	Without
17 Instruments			
Instruments	Without	Exhaust temperature gauge	Without
18 Canopy			
Compressor A/C	Without	Air conditioning	Without
Auxiliary heating	Without		

Local Modifications

End of Warranty		TVC Date	
Warranty information	Basic warranty is 12 months	Installation	
Start-up date		-Code	
Delivery date	1999-04-23	-Type	GENSET LIMITED TIME
Invoice date	1999-04-23	-Name	
Assembly date	1999-03-22	-Number	
Power standard	ISO 3046	Scania generator set	
Power (KW)	260	Type designation	
Power (HP)	353	Order No Customer	SIM 2819
Power 110% (KW)	286	Order No Factory	21090200
Power 110% (HP)	388	Order type	A
Power curve	LTP	Order customer	
RPM	1800	-Country code & number	NL005
Speed droop	GEN	-Name	Sandfirden Technics T.H.B.V.
Classification code	Not prepared for classification	Distributor	
Classification society		-Country code	NL
Parts catalogue	18836	-Number	001
TVC No		-Name	Sandfirden Technics v/h Laan & Kooy Haventerrein 1 1779 GS DEN OEVER NETHER

00 General

Assembly level	Completely Build Up	Product class	Industrial and marine products
Development level	4	Engine assembly place	TDE
NSE equipment	No	Deviation specification	Without
Classification, prepared	No	Classification company	Without
Conservation	Without	Run-in time	0,5 hour

01 Engine

Alfa-angle	22°	Engine stroke volume	11
Engine type, industrial/marine	DSI11 81	Engine type designation D11A/M	DSI11 81 M44D
Engine adaptation	Generator	Engine application	Marine
Operation speed	1800	Engine rpm.	1800
Sensor tachometer	With magnetic transmission	Speed control, engine speed	4.5%
Engine colour	Primer	Valve shaft sealing	Without
Crankcase ventilation, type	Closed	Crankcase ventilation, placing	Rocker cover
Crank shaft, connection	Cylindrical	Classification crankshaft	No
Bearing shell, make	Federal Mogul	Flywheel	Flywheel SAE 14" coupling
Flywheel pilot hole	Diameter 80 mm	Flywheel housing with screw	Short
Flywheel housing material	Silumin	Flywh. hous.prep for speed sen	Without
Flywheel housing conn.rear end	According to SAE1	Piston, make	Mahle
Piston, gallery cooled	Without	Piston ring type	Keystone
Compression ring surface cond.	Molybdenum	Connection f conv.oil cool	Without
Oil cleaner placing	On left side engine block	Monitor lubrication oil press.	With, type NC
Sensor/guard lubr.oil pressure	Without	Oil filling	In valve cover
Oil filler, rocker cover	Second cylinder	Oil level check,running engine	No
Oil dipstick, placing	Right hand side	Oil drain	With pump
Oil draining placing	Left hand side	Oil pan	Bus type
Oil pan material	Aluminium	Exhaust pipe, direction	Backwards
Exhaust manifold, cooling	Water cooled	Exhaust manifold material	Cast iron
Thermal shield, manifold pipe	Without	Turbocharger	With
Turbo chargers twin mounted	Without	Turbo charger position	Rear
Turbo exhaust pipe	Bend adjustable 114-155	Turbo filter lube oil placing	Right side engine block rear
Intake manifold direction	Rear	Air cleaner safety filter	Without
Air cleaner position	Separate	Precleaner, aircleaner	Without
Air cleaner engine, paper area	10.6 m ²	Precleaner air intake	Without
Engine tilt angle,intermittent	Max 25 degrees	Engine susp. bracket front	Fixed, high 25 mm
Engine suspension bracket rear	Without	Rubber block front	Without
Rubber block rear	Without	Crankshaft damper	Without alfa reading
Protect.cover crankshaftdamper	Without	Surge damper	Without
Power take off engine side	Without	Power take off, fr. crankshaft	Without

Protection cover, belt drive	With	Catwalk	Without
02 Cooling system			
Cooling system engine	Keel-cooling	Radiator suspension	Without
Charge air cooler	Liquid cooled	Charge air by-pass	Without
Fan mounted on engine	Without	Coolant pump	With
Fan ring	Without	Fan cover	Without
Thermostat housing, position	On exhaust manifold	Thermostat engine coolant	Valve
Pulley extra	Without	Pulley crankshaft	2-grooves
Pulley, waterpump	2-grooves	Belt stretcher 1 groove	Without
Belt stretcher 2 grooves	With	Belt stretcher 3 groove	Without
Sea-water pump	Without	Bilge pump	Without
Water pump extra	Without	Expansion tank	Without
Guard/sensor coolant level	With Murphy	Monitor coolant temperature	Without
Sensor coolant temperature	Without	Engine heater, type	External 500W/230V
03 Fuel and exhaust systems			
Fuel	Diesel	Governor, injec.pump, type	RSV 4,5 %
EDC Electronic diesel control	Without	Accelerator position sensor	Without
Fuel, pressure tube	Dubb.wall without lev. monitor	Fuel filter, reversible	With
Fuel filter, position	Right side engine block rear	Fuel heater	Without
Fuel cooler	Without	Monitor fuel leakage	With
Exhaust pipe	With	Exhaust outlet direction	Right hand side
Exhaust flange, diameter	130	Exh.pipe compensator	With
Silencer	Without	Rain protection cap	With
04 Clutch			
Reverse gear	Without	Clutch rear	Without
10 Pneumatic system			
Compressor compressed air	Without	Exhaust brake	Without
13 Hydraulic pump			
Hydraulic pump, steering gear	Without		
14 Engine controls			
Engine stop, ordinary	Without	Accelerator control	Electronic
16 Electrical system			
Electrical syst. SjöV classif.	Without	Alternator engine mounted	Without
Starter, type	JE	Start engine	2-pole
Start engine	Electric	Engine starting aid device	Without
Extension cord, instrum.	Without	Cable harness engine	Without
17 Instruments			
Instruments	Without	Exhaust temperature gauge	Without
18 Canopy			
Compressor A/C	Without	Air conditioning	Without
Auxiliary heating	Without		

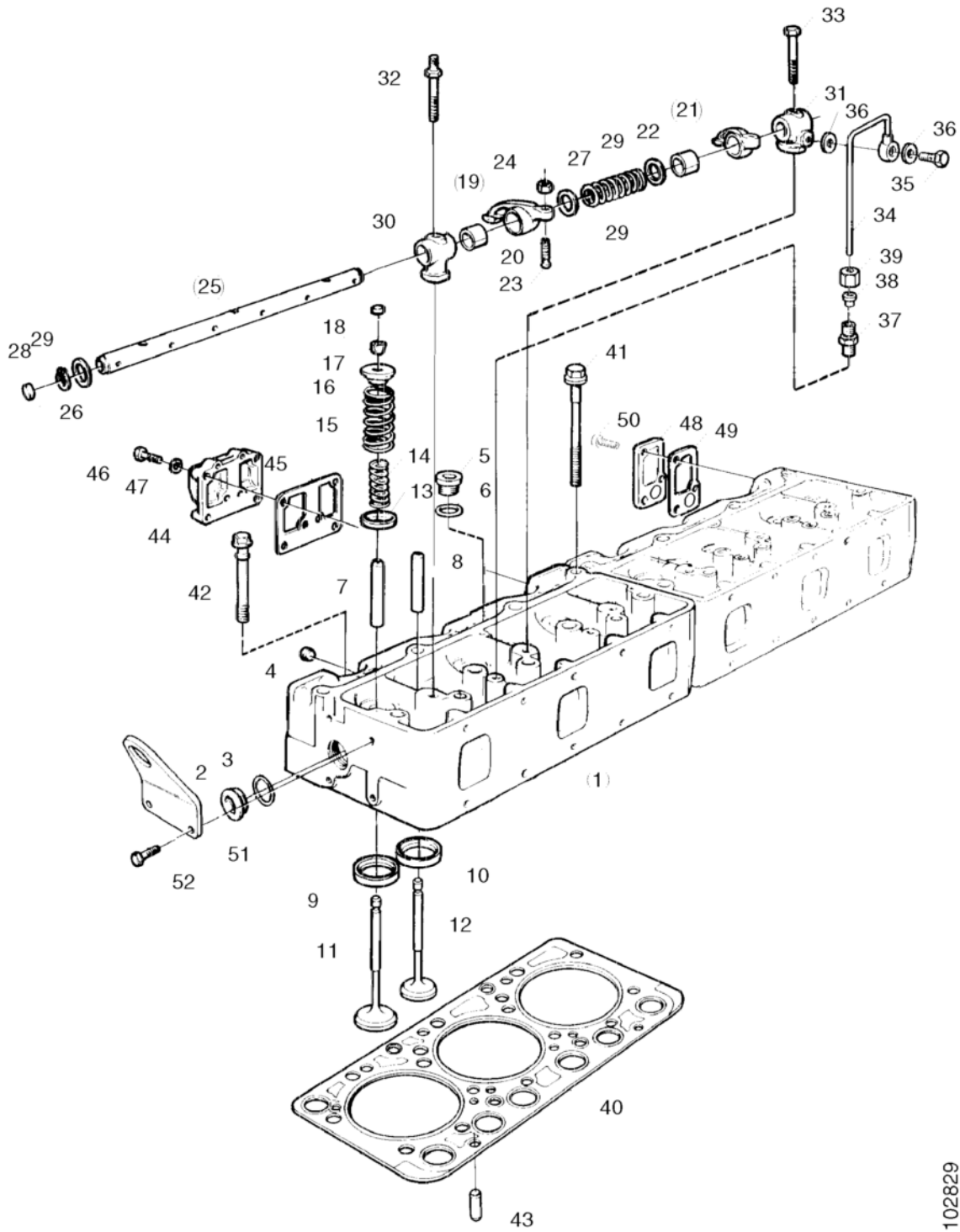
Local Modifications

No illustration intended for this section.

00-00-0002 Coolant, []

Part no.	Remark	A	Description
2033697	130x20dm3	rq	Corrosion protection
2033698	250x20dm3	rq	Corrosion protection
2033699	50x1dm3	rq	Corrosion protection
1894323	5 L	rq	Antifreeze glycol
1894324	20 L	rq	Antifreeze glycol
1894325	210 L	rq	Antifreeze glycol
1894326	1000 L	rq	Antifreeze glycol
1921955	5 L 50/50	rq	Antifreeze glycol
1921956	20 L 50/50	rq	Antifreeze glycol
1921957	210 L 50/50	rq	Antifreeze glycol
1896695	1000 L 50/50	rq	Antifreeze glycol
2292027	5 L 50/50 Vehicle produced for the Latin American market	rq	Antifreeze glycol
2292028	20 L 50/50 Vehicle produced for the Latin American market	rq	Antifreeze glycol
2292029	208 L 50/50 Vehicle produced for the Latin American market	rq	Antifreeze glycol
2292030	1000 L 50/50 Vehicle produced for the Latin American market	rq	Antifreeze glycol
2186291	5 L 35/65	rq	Antifreeze glycol
2186292	20 L 35/65	rq	Antifreeze glycol
2186293	210 L 35/65	rq	Antifreeze glycol
2186294	1000 L 35/65	rq	Antifreeze glycol

01-01-0141 Cylinder head, []



102829

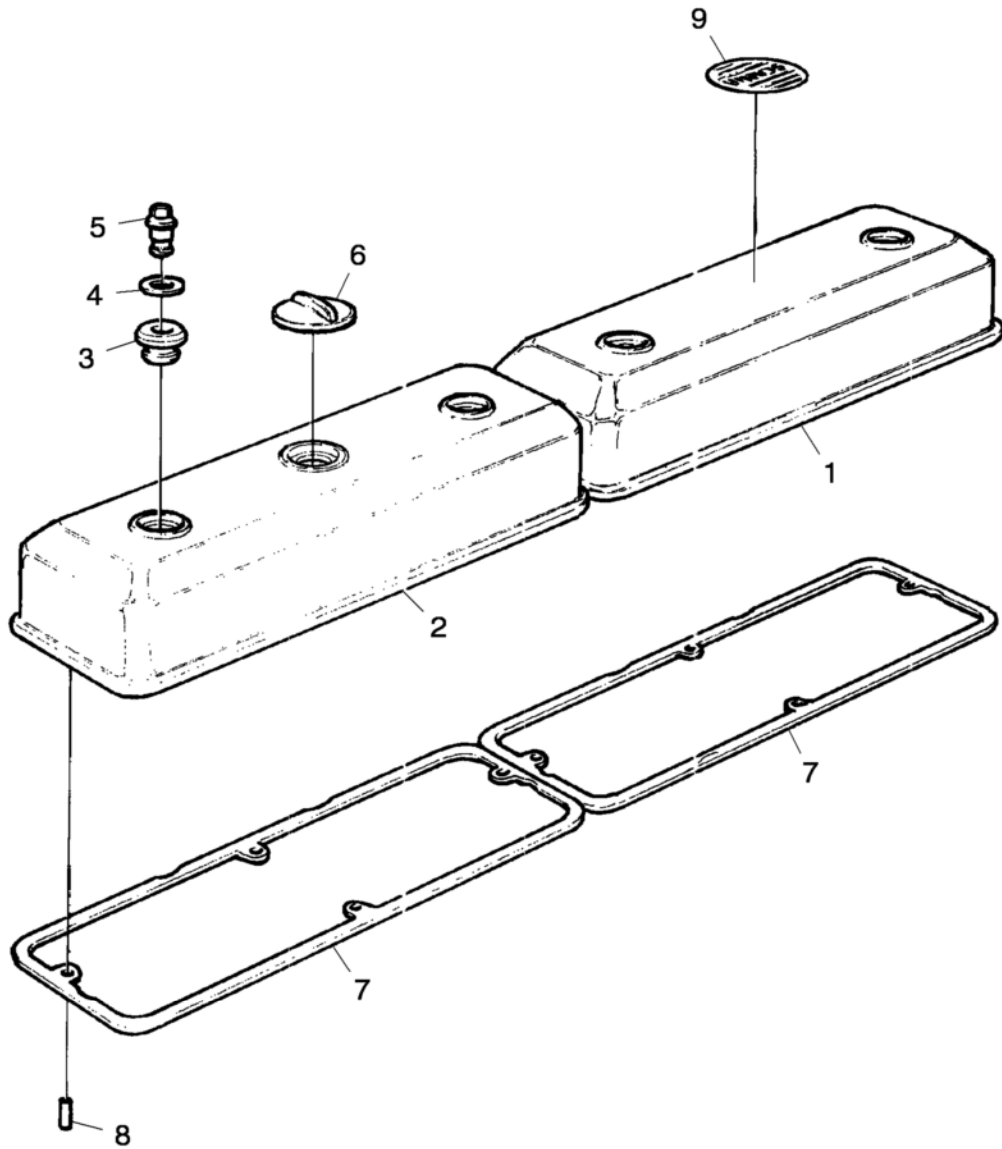
01-01-0141 Cylinder head, []

Pos.	Part no.	Remark	A	Description
1	1523412	X	2	Cylinder head
	570083		2	Cylinder head
	1117312	X assy, class	2	Cylinder head
2	1342957	M38	4	•Screw plug
3	337875		4	•Gasket
4	149475	M14	6	•Screw plug
5	1342955		2	•Screw plug
6	1316899		2	•Gasket
7	1523410	300957	6	•Valve guide
8	1521209	1398624 exhaust	6	•Valve guide
9	289517	STD, intake	6	•Valve seat insert
	289518	osz 0.2 mm, intake	6	•Valve seat insert
10	372972	STD, exhaust	6	•Valve seat insert
	372973	osz 0.2 mm, exhaust	6	•Valve seat insert
11	352211		6	Intake valve
12	1397521	1360834	6	Exhaust valve
13	1385563	170084	12	Valve spring collar
14	1728922	170043	12	Valve spring
15	1728921	170042	12	Valve spring
16	1395189	170083	12	Valve spring collar
17	1501351	17113	24	Split collet
18	1371619		12	Valve stem cap
19	1117719		6	Rocker arm
20	1100676		6	•Bush
21	1117717		6	Rocker arm
22	1100676		6	•Bush
23	1481810	1408646 M10	12	Adjusting screw
24	394640	M10	12	Hexagon nut
25	321786		2	Shaft
26	321785		2	•Core plug
27	231793		4	Spring
28	804778		4	Retaining ring
29	1392698		12	Washer
30	177898	ou	4	Bearing bracket
31	258665	ctr	2	Bearing bracket
32	1102231		4	Hexagon screw
33	1102230	M12x80	2	Hexagon screw
34	1108576		2	Lubrication pipe
35	1111373		2	Banjo screw
36	812412	ø 10,2x13,4x1	4	Gasket
37	346099	ø 6 M10x1k	2	Straight union
38	813220	ø 6	2	Ferrule
39	814552	M12x1,5	2	Union nut
40	365475	assy	2	Cylinder head gasket
41	346318	M16x169	22	Flange screw
42	358148	M18x140	6	Hexagon screw

01-01-0141 Cylinder head, []

Pos.	Part no.	Remark	A	Description
43	803466	8x20	4	Pin
44	1115934		1	Flange
45	1388678		1	Gasket
46	814891	M12x50	6	Hexagon screw
47	807311	13x24x2	6	Washer
48	1104313		1	Cover
49	291826		1	Gasket
50	809845	M12x30	3	Hexagon socket screw
51	372917	For engines with keel-cooling.	1	Lifting eye
52	812536	M10x25 For engines with keel-cooling.	2	Flange screw

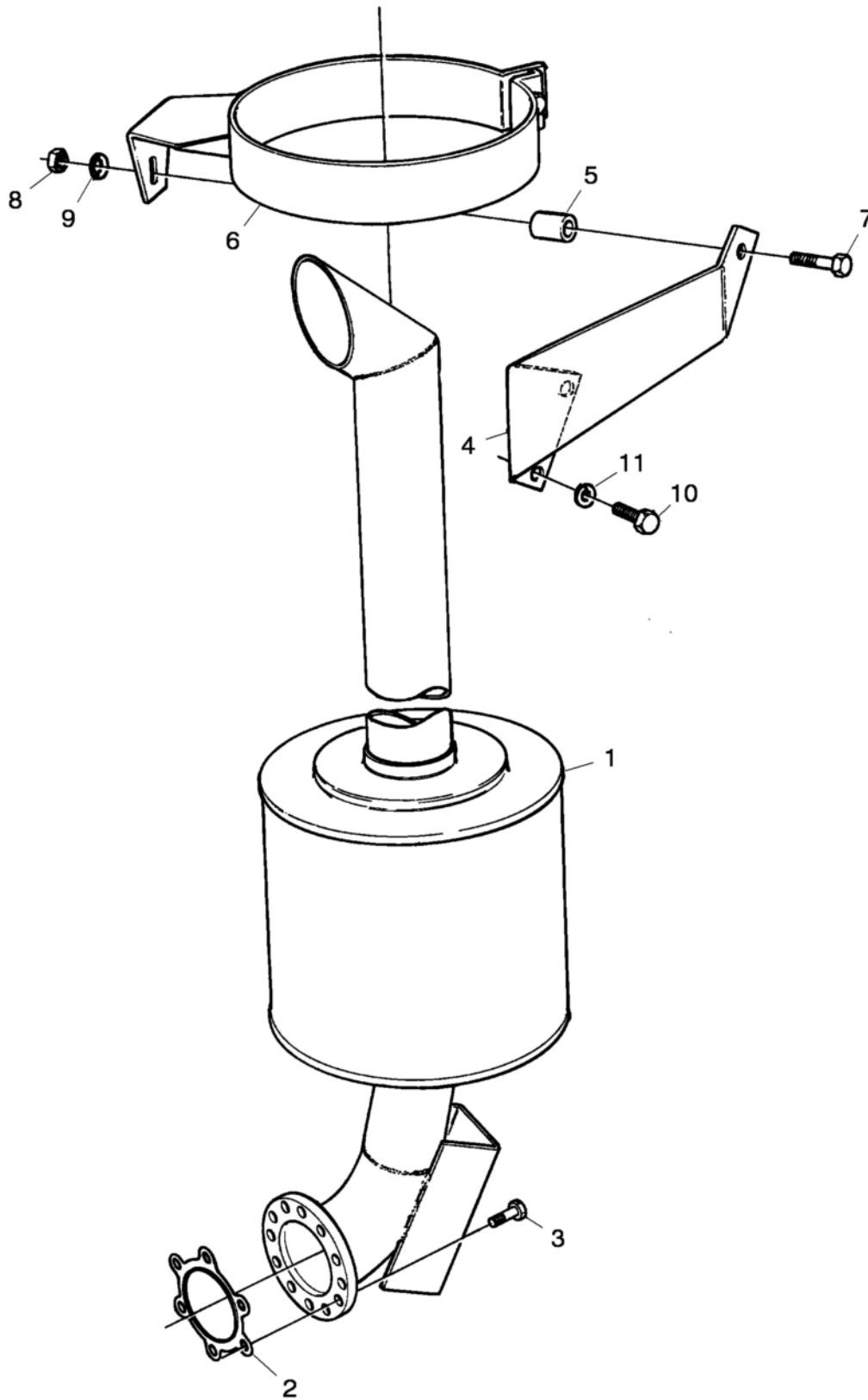
01-01-0616 Rocker cover, []



01-01-0616 Rocker cover, []

Pos.	Part no.	Remark	A	Description
2	305977		2	Rocker cover
3	292811		4	Sealing ring
4	261561		4	Washer
5	310735		4	Acorn nut
6	931106		1	Filler cap
7	1385941		2	Rocker cover gasket
8	154291	6x1,2x10	8	Spring pin
9	335422	DS11 99M, DSI11 80/81M	1	Instruction plate

03-25-0315 Exhaust system, [DS-DSC11..Q. KA]

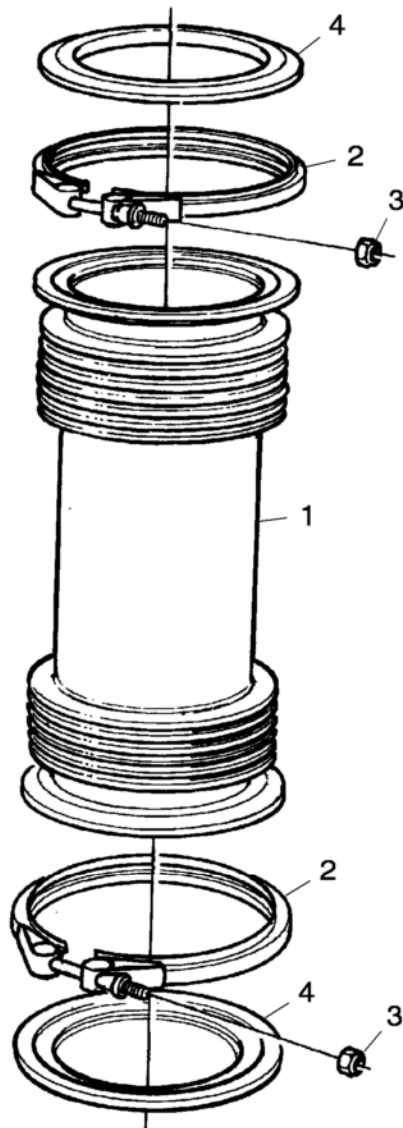


311246

03-25-0315 Exhaust system, [DS-DSC11..Q. KA]

Pos.	Part no.	Remark	A	Description
1	1118564	assy	1	Silencer
	1673658	Latin America produced engines.	1	Silencer
2	365863		1	Gasket
3	188373	M8x25	6	Hexagon screw
4	1118565		1	Bracket
5	208554		1	Spacing sleeve
6	249970	assy	1	Bracket
7	814876	M10x50	1	Hexagon screw
8	815124	M10	1	Hexagon nut
9	127394		1	Spring washer
10	814841	M12x35	1	Hexagon screw
11	811301	12,5x20,5x1	1	Washer

03-25-0396 Connection tubes, Compensator, []

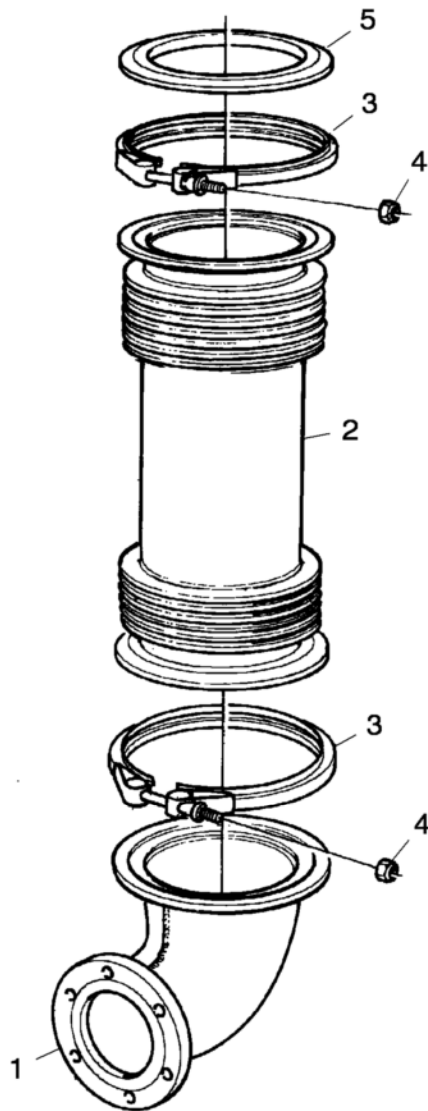


311302

03-25-0396 Connection tubes, Compensator, []

Pos.	Part no.	Remark	A	Description
1	1943501	1338111	1	Exhaust bellows
2	1380137	∅ 188,3 mm	2	V-clamp
3	1332132	1338327	2	Lock nut
4	1331682	∅ 115 mm	2	Flange
	1302707	∅ 130 mm	2	Flange
	1338329	∅ 155 mm	2	Flange
	1373091		rq	Seal

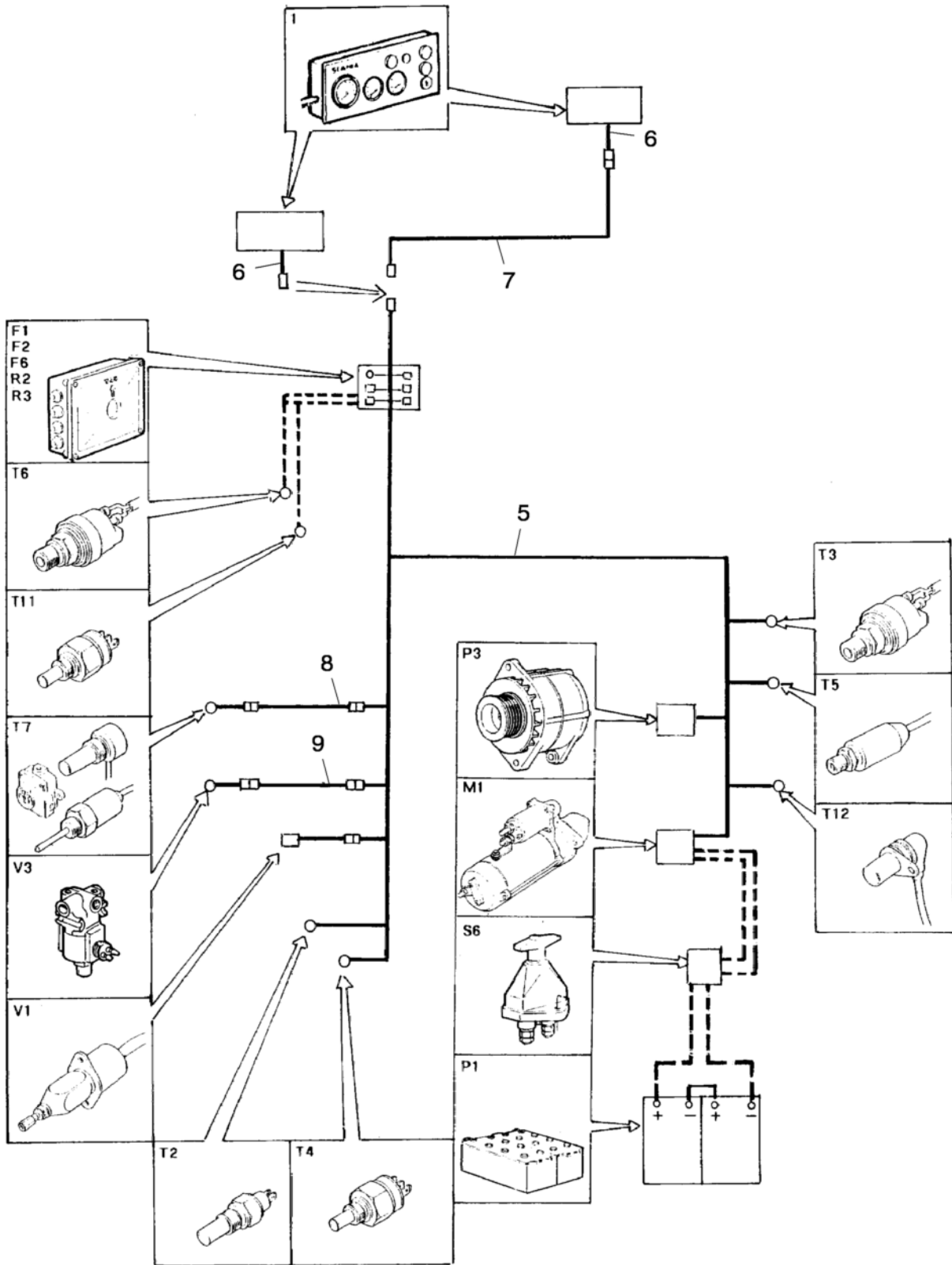
03-25-0496 Connection tubes, Exhaust system, []



03-25-0496 Connection tubes, Exhaust system, []

Pos.	Part no.	Remark	A	Description
1	1335747	DSC11	1	Pipe bend
1	1370990	DSC11	1	Pipe bend
	1352391	M42 DSI11 ø 114-130mm	1	Flange
	1433190	ø 120 mm DSI11 EN 5367780- SSS	1	V-clamp
2	1943501	1338111	1	Exhaust bellows
3	1380137	ø 188,3 mm	2	V-clamp
	1422474		2	V-clamp
4	1332132	1338327	2	Lock nut
5	1331682	ø 115 mm	1	Flange
	1302707	ø 130 mm	1	Flange
	1338329	ø 155 mm	1	Flange
	1373091		rq	Seal

16-45-9641 Cable harness, Engine, []

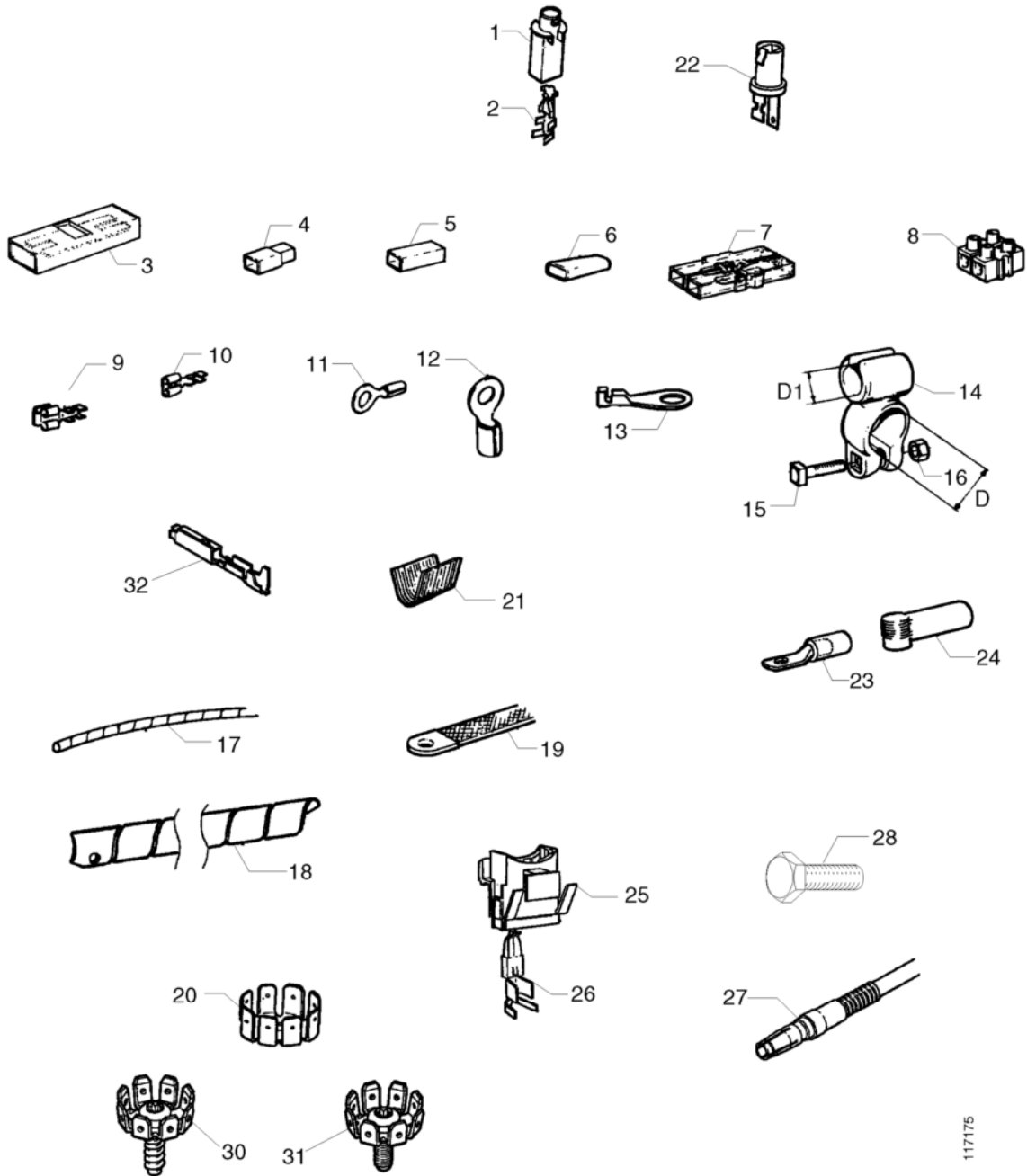


311108

16-45-9641 Cable harness, Engine, []

Pos.	Part no.	Comp. code	Remark	A	Description
1			See reference 17-00-0000		Instrument panel
		F1	See reference 16-01-0000		Fuse
		F2	See reference 16-01-0000		Fuse
		F6	See reference 16-01-0000		Fuse
		M1	See reference 16-05-0000		Starter motor
		P1			Battery
		P3	See reference 16-05-0000		Alternator
		R2	See reference 16-01-0000		Relay
		R3	See reference 16-01-0000		Relay
		S6			Battery master switch
		T2	See reference 01-00-0000		Temperature sensor
		T3	See reference 01-00-0000		Sensor, oil pressure
		T4	See reference 02-00-0000		Temperature monitor
		T5	See reference 01-00-0000		Pressure switch
		T6	See reference 04-00-0000		Pressure switch
		T7	See reference 02-00-0000		Level monitor
		T11	See reference 02-00-0000		Temperature monitor
		T12	See reference 01-00-0000		Rotational speed sensor
		V1	See reference 14-00-0000		Stop solenoid
		V3	See reference 03-00-0000		Solenoid valve
5	1411861		1381551 EN -6501205 SSS EN -8700545 SLA	1	Cable harness
	2263624		1456341 for 1452862	1	Harness-to-harness connector
6	1392546		1-pol	1	Cable harness
	1392547		2-pol	1	Cable harness
7	1393165		8 meter	1	Cable harness
8			nsp		Cable harness
9			nsp		Cable harness

16-70-0030 Electrical equipment, Electrical components, []



117175

16-70-0030 Electrical equipment, Electrical components, []

Pos.	Part no.	Remark	A	Description
1	1401958	367315	rq	Bulb holder
2	1401958	367314	rq	Bulb holder
3	203875	1-pol	rq	Connection block 4 connection pins
4	814263	289085 1-pol natural	rq	Contact housing
5	813522	1-pol natural	rq	Contact housing
	815695	1,0-2,5 mm ² ø 2,1-3,1 See WSM, section 16-00 "Cable terminals and connectors".	rq	Cable term., flat socket/ pin
6	307472	4,8 mm	rq	Protection sleeve
	305937	6,3 mm	rq	Protection sleeve
7	296053	2-pol	rq	Connection block
8	133078	2-pol	rq	Connection block
9	813486	813898 See WSM, section 16-00 "Cable terminals and connectors".	rq	Cable terminal, round pin
10	277833	50A	rq	Cable terminal, flat socket
11	807074	0,5-1,5 mm ²	rq	Cable terminal, ring
	807075	0,5-1,5 mm ²	rq	Cable terminal, ring
	807076	0,5-1,5 mm ²	rq	Cable terminal, ring
	807077	1-2,5 mm ²	rq	Cable terminal, ring
	807078	1-2,5 mm ²	rq	Cable terminal, round pin
	807079	1-2,5 mm ²	rq	Cable terminal, ring
	807080	1-2,5 mm ²	rq	Cable terminal, ring
	807081	1-2,5 mm ²	rq	Cable terminal, ring
	813461	10-16 mm ² M6	rq	Cable terminal, ring
	813463	10,6-16,7 mm ² M10	rq	Cable terminal, ring
12	814254	243020 17-26 mm ² M8	rq	Cable terminal, ring
	814255	243021 17-26 mm ² M10	rq	Cable terminal, ring
	243022	27-42 mm ² M8	rq	Cable terminal, ring
	814256	243023 27-42 mm ² M10	rq	Cable terminal, ring
	243024	50 mm ² M8	rq	Battery cable terminal
	814259	243025 43-60 mm ² M10	rq	Cable terminal, ring
	814260	61-76 mm ² M10	rq	Cable terminal, ring
13	797679		rq	Cable terminal, round pin
14	809165	25 mm ²	rq	Battery cable terminal
	809166	25 mm ²	rq	Battery cable terminal
	807125	35 mm ²	rq	Battery cable terminal
	807126	35 mm ²	rq	Battery cable terminal
	809167	50 mm ²	rq	Battery cable terminal