

SCANIA

parts catalogue

Bus, Coach
CN 230 UD4x2EB 10.7 CL1

Chassis serial No : 1867476
VIN-Number SZAN4X20001867476

DIESEL ENGINE

DC9 30

Serial No : 6605556

Technical Library <http://engine.od.ua>

Use bookmarks for navigation

0 General

1 Engine

2 Cooling system

3 Fuel and exhaust system

4

5 Gearbox, Power take-off

6 Propeller shaft

7 Front axle

8 Rear axle

9 Hubs and wheels

10 Compr. air system/Brakes

11 Frame

12 Suspension

13 Steering

14 Engine control

16 Electrical system

17 Instruments

18 Body

19 Complementary equipment

20

VIN	SZAN4X20001867476	Vehicle type	Bus, Coach
Factory warranty, valid until	2011-01-21	Bodywork	Bus, coach body
Delivery date	2010-01-21	Operation	Bus, city traffic
Invoice date	2009-11-30	Gross weight in tons	34
Assembly date	2009-11-26	Order number	0663544
Current distributor, country	GB	Order type	S
Invoicing distributor, number	68501	Delivery mode	CBU
Local distributor, number		Status	To enduser
Original distributor, number	62021		

00 General

Assembly level	Completely Build Up	Product class	Bus
Development level	5	Wheel configuration	4x2
Axle distance	6000 mm	Steering wheel position	RHD, right hand drive
Chassis class	U	Chassis adaptation	D, double decker
Chassis height	E, extra low	Bus class	C
Bus directive	Class I	Engine location	N
Operator's manual language	English	Plate language	English
Axle weight front, technical	7100 kg	Axle load rear, technical	12000 kg
Technical total weight	19100 kg (bus)		

01 Engine

Engine stroke volume	9	Engine type, vehicle	DC9 30 /230 hp
Engine type symbol	DC9 30 C01	Serial. no original	6605556
Cylinder block generation	2	EGR system	With
EGR cooling	1-step	Emission level	EEV
Engine management system	S7	NOx control	With
Torque reduction NOx-control	With	Power take-off, engine, prep.	With
Noise dampening	77 dBA	Crankcase ventilation, type	Open
Crankcase vent. antifreeze	Without	Oil level sensor engine	Without
Oil sump material	Aluminium		

02 Cooling system

Cooling package	Capacity PA	Coolant filling	RHS/engine compartment
Fan, gear ratio	2.0:1	Temperature regulator	80°

03 Fuel and exhaust systems

Fuel	Diesel	Injection system	XPI
Fuel volume	Without	Fuel volume bus complete	300 dm ³
Thermistor filling side	Right hand	Selective Catalytic Reduction	Without
Fuel filter chassis mounted	Without	Exhaust outlet, direction	Right hand
Particle trap(PMFC)	With	Particulate filter sensor	With

04 Clutch

Clutch overload warning	Without
-------------------------	---------

05 Gearbox

Gearbox	6HP504C N/80 /5	Serial. no original	028121
Gearbox management system	ZF2	Ecocruise	Not valid
Acceleration control	With	Kick down signal	With
Gear shift ctrl electronic	Not valid	Gear selector type	D-N-R vertical
Gearbox type	Automatic	Transmission sensor constant	6
Oil cooling for gearbox	Without	PTO EK Control	Without

06 Propeller shaft

Propeller shaft type	P306
----------------------	------

07 Front axle

Front axle, type	AMA780	Front wheel suspension	On stiff axle
------------------	--------	------------------------	---------------

08 Rear axle

Rear axle, type	ADA1250	Load transfer	Not valid
Axle gear first	RD760	Serial. no original	1930441
Rear axle gear ratio	6,20	Differential lock	Without

09 Hubs and wheels

Wheel cover	Without	Wheel, type	Disc
Rim material front axle	Steel	Rim material rear axle	Steel
Rim, material spare wheel	Without	Rim, surface treatm. front axl	Painted, grey
Rim, surface treatm. rear axle	Painted, grey	Rim, surface treatm. spare wh	Without
Rim diameter front axle	22.5"	Rim diameter rear axle	22.5"
Rim diameter spare wheel	Without	Rim width front axle	7.50
Rim width rear axle	7.50	Rim width spare wheel	Without
Tyre dimension front axle	275/70 R22.5	Tyre dimension rear axle	275/70 R22.5
Tyre dimension spare wheel	Without	Tyre front axle	275/70R22.5 152/148E XZU3 inc
Tyre rear axle	275/70R22.5 152/148E XZU3 inc	Tyre rolling circumference driving axle	2951 mm
Front axle tyre rolling circumference	2922 mm	Drive tyre rolling circumference	2922 mm
Tyre supplier front axle	Michelin	Tyre supplier rear axle	Michelin
Tyre, pattern front axle	X InCity XZU3 Michelin	Tyre, pattern rear axle	X InCity XZU3 Michelin
Tyre speed index front axle	E=max. 70 km/h	Tyre speed index rear axle	E=max. 70 km/h
Tyre load index front axle	152	Tyre load index rear axle	148
Tyre pressure monitoring	Without		

10 Brakes

White smoke limiter	With	Wheel brake	Disc
Brake control	Electronic	Brake category	AB
Brake chamber type 1st front	Membrane	Brake chamber area, 1st front	24 in ²
Brake chamber type, 1st rear	Membrane+spring	Brake chamber area 1st rear	24 in ²
Brake management system	EBS5	Air Processing System	Air management
Compressor manufacture	Knorr 720 CR	Interlock valve, parking brake	Without
Exhaust brake	Without	Exhaust brake control	Without
Retarder	ZF	Retarder control device	Automatic
Retarder system	RET ZF 1	Bus stop brake	Rear axle

11 Frame

Frame overhang front	2463 mm	Frame overhang rear(me.ment J)	2700 mm
Cross member fr	Not valid	Frame height drivers place	Z0-102
Frame height center front	Without	Frame part rear/middle	Floor flat
Beam distance frame part fr	1280 mm	Towing device front	Without
Towing device rear	With	Wheel house width front	682 mm
Splash guard	With	AJ- Power Frame number	

12 Suspension

Suspension system, front	Air	Suspension system rear	Air
Air suspension rear type	4-spring	Air spring level control	Manual and automatic
Alt. predefined chassis levels	Without	Axle load display	Not valid
Anti-roll bar, front	With	Anti-roll front, torsion bar	Dia 50 mm
Anti-roll bar, rear axle	With	Overturn protection	Tiltensor 2
Air suspens. lowering partial	Whole front	Air tank volume suspension/accessories	14.8 L
Air tank vol. tag/middle axle	Without	Total raising, lowering	With
Shock absorber,execution front	Hard	Shock absorber, execution rear	Hard

13 Steering

Power steering gear	ZF 8098	Serial. no current	006175
Steering gear ratio	17-20:1	Steering system	1-circuit
Steering wheel type	Normal	Steering wheel angle	32-52 deg
Immobiliser	Without		

14 Engine controls

Speed limitation	85 km/h	Speed limit second	70 km/h
Speed limiter third	With		

16 Electrical system

Alternator charge	150 A + 150 A	Battery	225 Ah
Battery tray	Pivoted	Battery charging socket type	Griptone
Battery master switch control	Switch	Battery master switch control	With switch
Battery position	Front	Electric fuses	Circuit breaker
Monitoring voltage drop	With	Drivers gate alarm	Park brake+gear neutral
Starter interlock engine hatch	With, eng. & fr. comp. hatches	Disconnect reverse warning	For 3 minutes
Door safety edge alarm	Without	Start function	Fixed key
Emergency stop	Without	Headlamp type	Single filament bulbs
Visibility system environment	3	Headlamp voltage	24V
Spotlight	Without	Daytime running light	With
Daytime running light function	With dipped beam + pos lamps	Lights rear	LED
Fog lamp front	Without	Fog lamp, front	Without
Foglamp, rear	Prepared	Reverse alarm	With
Distance sensor System	Without	Direction indicator activation	1 bulbs front
ESP Electr.Stability Programme	Without		

17 Instruments

Tachograph	Without +signal	Tachograph data upload	Without
Instrument cluster	Basic km/h and mph	Cruise control switches	Without
Driver identification	Without	Adaptive Cruise control	Without
Ambient temperature display	With	Indoor temperature display	Without
Instrument panel	Fixed, plate-mounted	Instrument panel	Normal
Bodywork info in ICL	With	Communicator	Without
Scania FMS Vehicle interface	Bus specific		

18 Body

Body builder	OMNI	Body/coach model	OmniCity
Body serial number	OMNI	Bus body width	2550
Body length	10643 mm	Body overhang rear	2786 mm
Body signs	Without	Compressor A/C, mounting	Without
Air conditioning preparation	Engine mounted	Pulley for AC	Without
Pulley extra, diameter	Not valid	Heater	Without
Auxiliary heating	Without	Aux heater syst water to air	Without
Seat driver, type	BeGe GN87-52	Air suspension, driver's seat	Without
Seat air ventilated, driver	Without	Arm rest driver side	Without
Head restraint	Without	Seat protection, driv. seat	Without
Seat passenger	Scania	Radio	Without
Information switch	Steering wheel	Wheel house width front	682 mm
Rear view mirror RH	Manual manoeuvring	Rear view mirror LH	Manual manoeuvring
Rear view mirrors, heated	Without	Side windows	Single glass
Side windows openable	With	Door manufacturer	Ventura
Door opening exit doors	Not valid	Door configuration	2-2-0
Door position lowering	Closed	Door window	Single glass
Door in front of front axle	Twin	Door behind front axle	Twin



Chassis serial number: 1867476

Vehicle/engine type: CN 230 UD4x2EB 10.7 CL1

External switch open/close entrance door	Illuminated button, behind front door inside hatch	Wheel chair ramp in front front axle	Without
Wheelchair ramp fr. of fr. axle	Without	Wheelchair ramp behind front axle	Electric
Wheelchair ramp behind fr. axle	Compak 5 elektrical	Traffic sign holder	Without
Licence holder	Without	Sign box left side, location	In window
Sign box off delay	Without	Sign box control	Without
Sign box light controlled by	Int. switch	Inner panels colour	Customer order
Smoke detector	2 pcs	Driver's microphone	Without
Guide microphone at front door	Without	Loudspeaker outside	Without

19 Complementary equipment

Tool kit	Without	Spare wheel carrier	Without
Warning triangle bus	Without		

Deviations from original specification (special order)

S order number

469757

IDS_CUST_EQP_BUS

ZZC3741

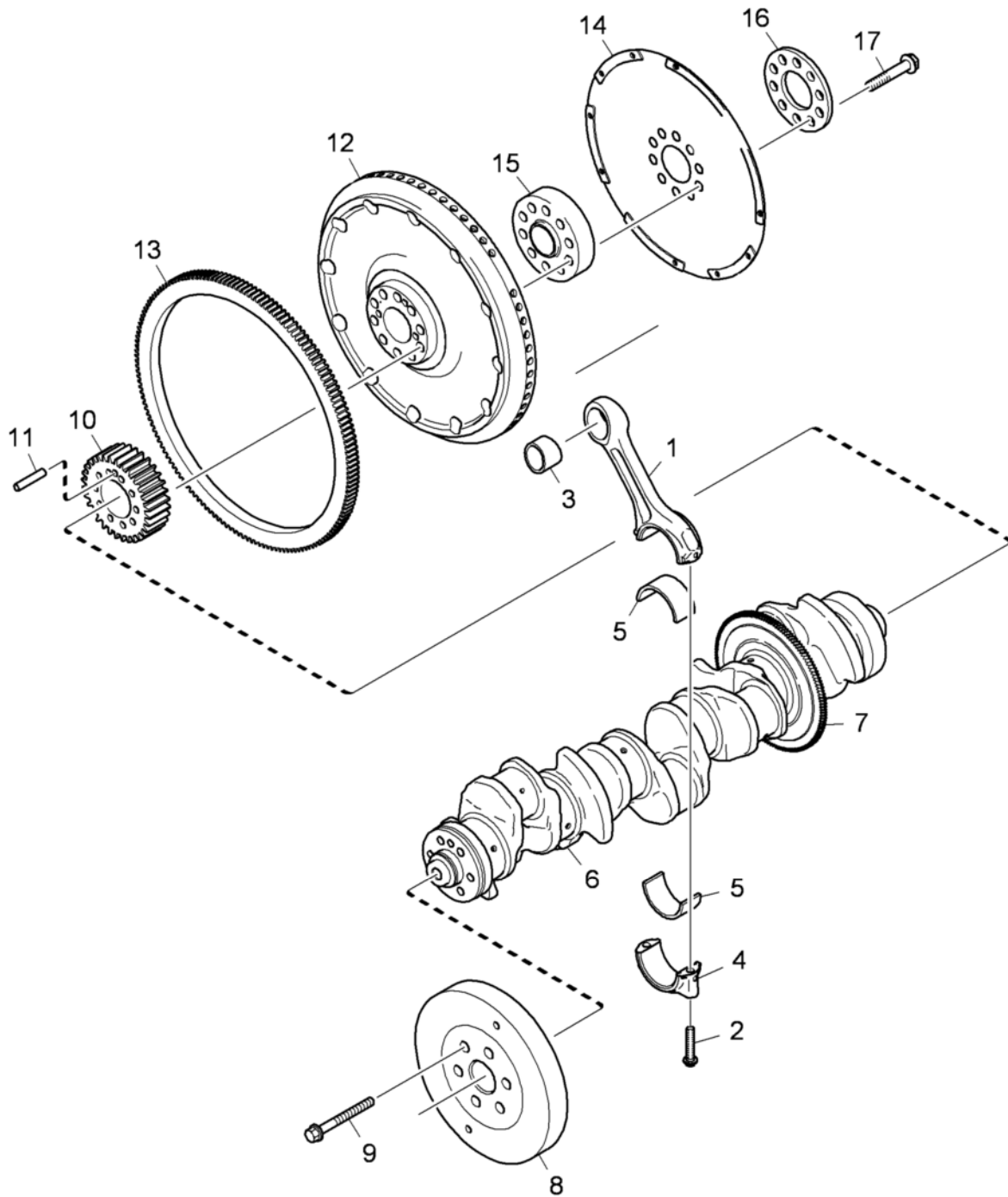
00-00-0002 Coolant, []

No illustration intended for this section.

00-00-0002 Coolant, []

Part no.	Remark	A	Description
2033697	130x20dm3	rq	Corrosion protection
2033698	250x20dm3	rq	Corrosion protection
2033699	50x1dm3	rq	Corrosion protection
1894323	5 L	rq	Antifreeze glycol
1894324	20 L	rq	Antifreeze glycol
1894325	210 L	rq	Antifreeze glycol
1894326	1000 L	rq	Antifreeze glycol
1921955	5 L 50/50	rq	Antifreeze glycol
1921956	20 L 50/50	rq	Antifreeze glycol
1921957	210 L 50/50	rq	Antifreeze glycol
1896695	1000 L 50/50	rq	Antifreeze glycol
2292027	5 L 50/50 Vehicle produced for the Latin American market	rq	Antifreeze glycol
2292028	20 L 50/50 Vehicle produced for the Latin American market	rq	Antifreeze glycol
2292029	208 L 50/50 Vehicle produced for the Latin American market	rq	Antifreeze glycol
2292030	1000 L 50/50 Vehicle produced for the Latin American market	rq	Antifreeze glycol
2186291	5 L 35/65	rq	Antifreeze glycol
2186292	20 L 35/65	rq	Antifreeze glycol
2186293	210 L 35/65	rq	Antifreeze glycol
2186294	1000 L 35/65	rq	Antifreeze glycol

01-10-5030 Crank mechanism, Automatic gearbox, [D9, OC9]

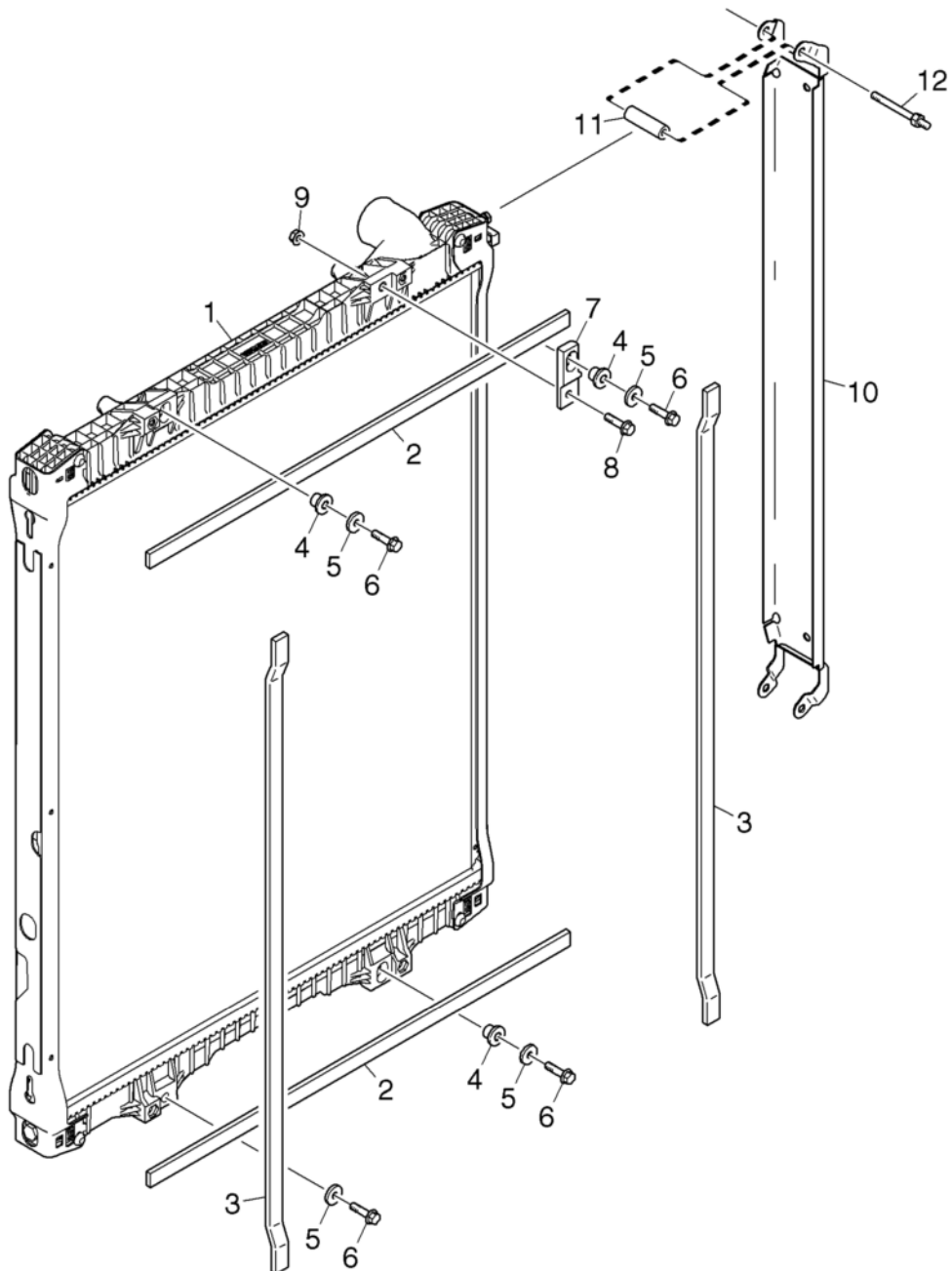


312445

01-10-5030 Crank mechanism, Automatic gearbox, [D9, OC9]**Footnote** Cylinder block generation 2**Serial number** EN 6299927- SSS

Pos.	Part no.	Remark	A	Description
1	2190309	X	5	Connecting rod
	570199		5	Connecting rod
		nss	1	•Bush
2	1732524	M14x70	2	•Screw
3		nss	1	•Bearing bush
4		nss	1	•Bearing cap
5	1745175	STD	10	Connecting rod bearing
5	2421827	For vehicles with hybrid operation.	5	Connecting rod bearing
6	2145520	X EN -6846384 SSS	1	Crankshaft
	570308	EN -6846384 SSS	1	Crankshaft
7	1494184		1	•Gear
8	1772474		1	Torsion damper
9	1849394	M14x46	6	Screw
10	2085813		1	Gear
11	803519	12x40	1	•Pin
12	1780576	EN -6939182 SSS	1	Flywheel
13	1471237	EN -6939182 SSS	1	•External ring gear
12	2482146	EN 6939183- SSS	1	Flywheel
13	1539451	EN 6939183- SSS	1	•External ring gear
14	1805251		4	Driver plate
15	1805252		1	Hub
16	1901872		1	Washer
17	1884329		10	Flange screw

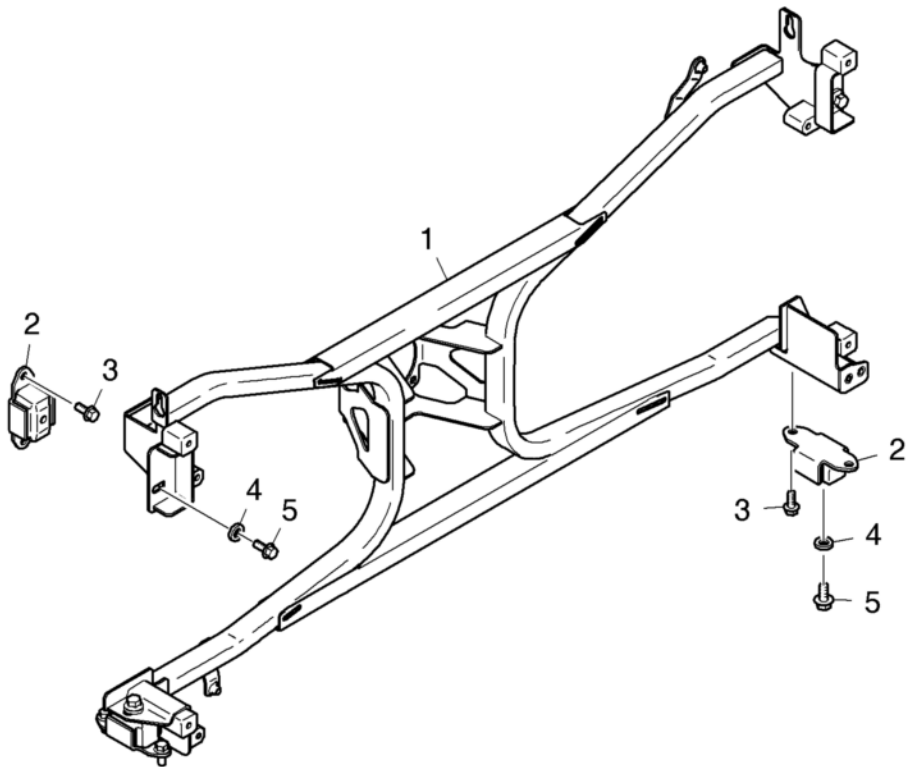
02-01-5502 Radiator, [N]



02-01-5502 Radiator, [N]

Pos.	Part no.	Remark	A	Description
1	1798689	1770096	1	Radiator
2	1737491		2	Strip
3	1737491	1737492	2	Strip
4	1852936	1505220	2	Bush
5	419986	8,4x24x1,5	4	Washer
6	812519	M8x30	4	Flange screw
7	1724340		1	Bracket
8	812519	M8x30	1	Flange screw
9	815132	M8	1	Flange nut
10	1548952		1	Bracket
11	1766616		4	Spacer
12	1530386		4	Screw

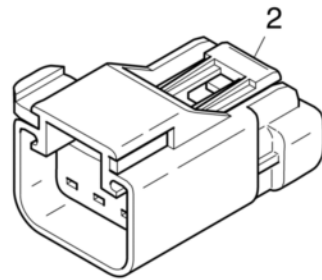
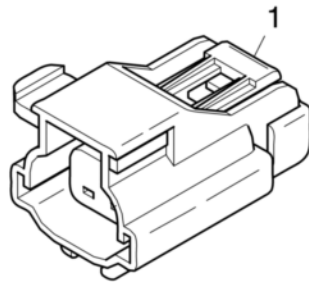
02-01-5512 Radiator, Suspension, [NUD]



02-01-5512 Radiator, Suspension, [NUD]

Pos.	Part no.	Remark	A	Description
1	1749806		1	Frame
2	1363634		4	Vibration insulator
3	812516	M8x20	8	Flange screw
4	807326	10.5x20x4	4	Washer
5	812534	M10x20	4	Flange screw

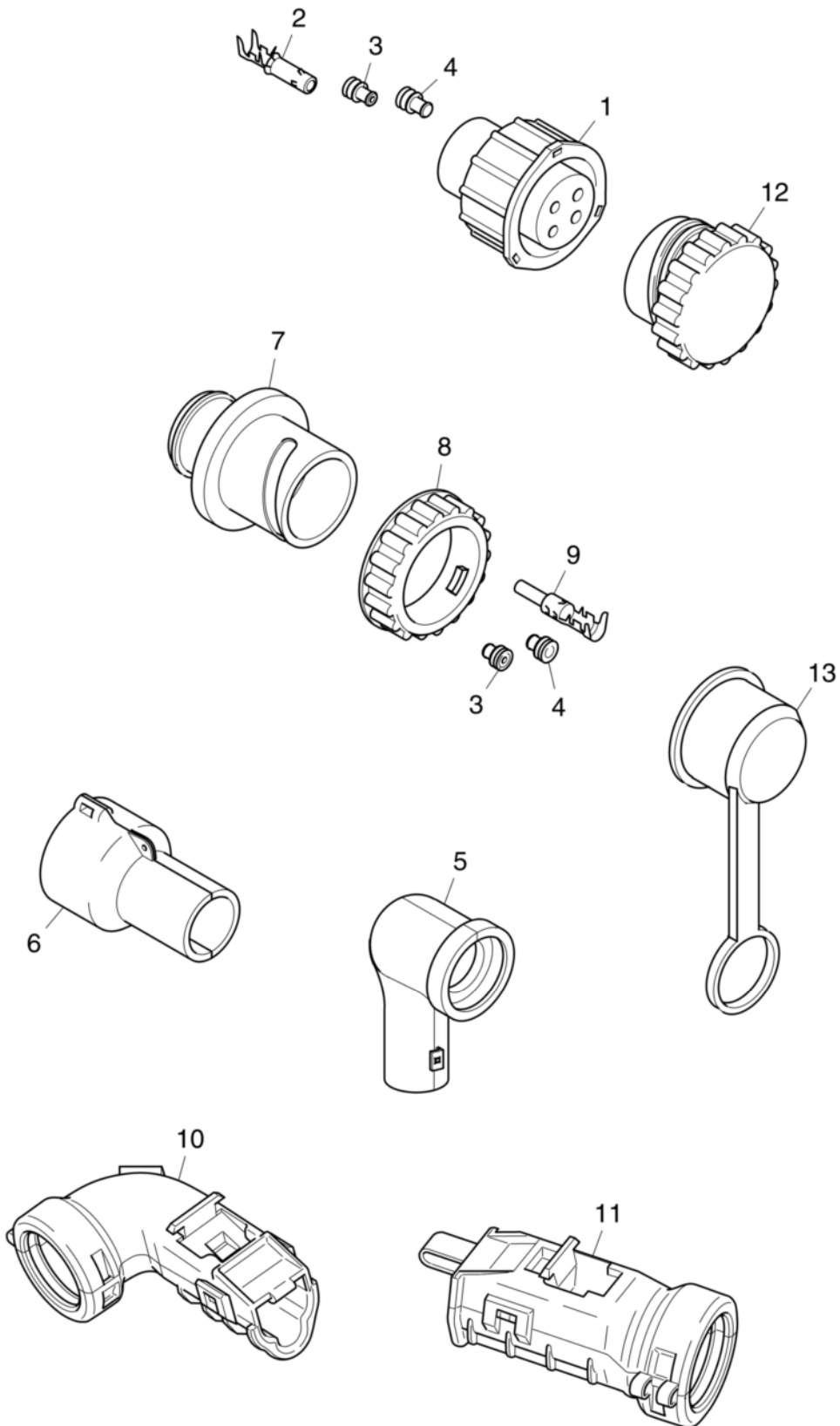
16-70-5544 Contact housing, [2, 3-pol.]



16-70-5544 Contact housing, [2, 3-pol.]

Pos.	Part no.	Comp. code	Remark	A	Description
1	1777629		2-pol	1	Contact housing
		V120			
2	1779724		3-pol	1	Contact housing
		T5			
		T141			
3	1804189		0,5-1,0 mm ²	rq	Cable terminal, flat socket
	1777630		1,5-2,5 mm ²	rq	Cable terminal, flat socket

16-70-5550 Contact housing, [4-pol. DIN]

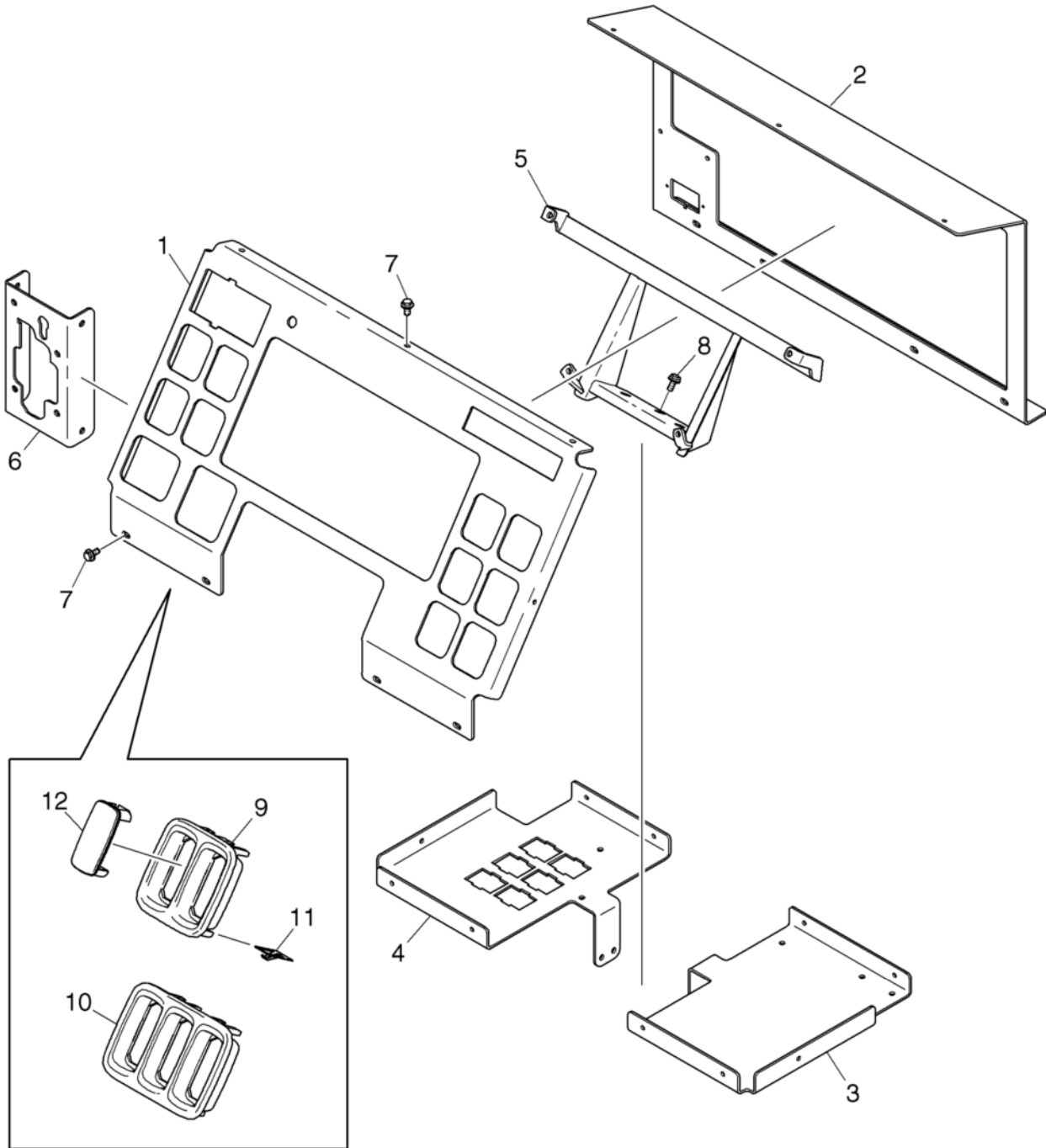


304978

16-70-5550 Contact housing, [4-pol. DIN]

Pos.	Part no.	Comp. code	Remark	A	Description
1	1392811		4-pol, 2,5mm black Code A	1	Contact housing
		B41	CH- 2 011 779 SSS, CH- 5 133 078 SNL, CH- 9 104 036 SAN		
		B42	CH- 2 011 779 SSS, CH- 5 133 078 SNL, CH- 9 104 036 SAN		
		B43	CH- 2 011 779 SSS, CH- 5 133 078 SNL, CH- 9 104 036 SAN		
		B44	CH- 2 011 779 SSS, CH- 5 133 078 SNL, CH- 9 104 036 SAN		
		B106			
		C45			
		C86			
		C90			
		C96			
		C99			
		C108			
		C135			
		C330			
		C469			
		C470			
		C471			
		C486	CH -2005788 SSS CH -5116064 SNL CH -9096447 SAN		
		C741			
		C1496			
		C2447			
		C2478			
		C3011			
		C4395			
		C6544			
		E59.C			
		E6015.A			
		M7	For 1548504		
		M8	For 1548504		
		S40			
		S229			
		T17	CH- 2 011 779 SSS, CH- 5 133 078 SNL, CH- 9 104 036 SAN		
		T20			
		T70			
		T71			
		T73			
		T97			
		T80			
		T96			
		T98			
		T99			
		T115			
		T116			
		T119			

17-01-6000 Instrument panel, Frame, []

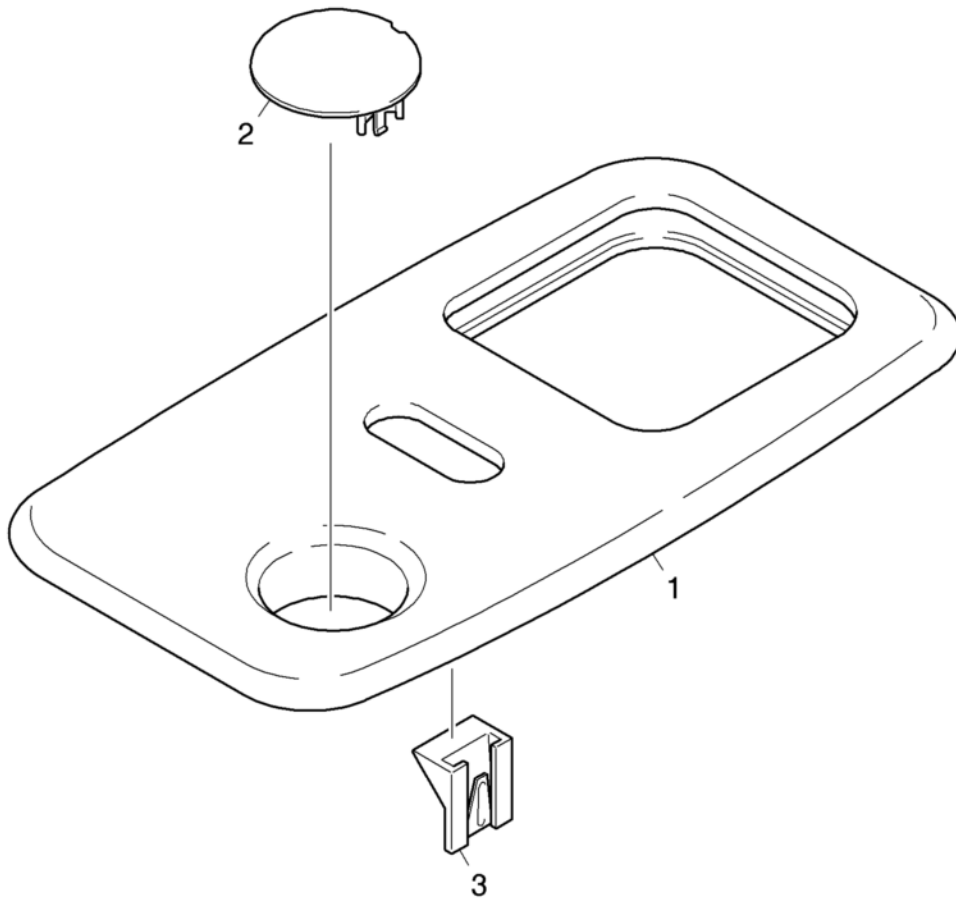


17-01-6000 Instrument panel, Frame, []

Serial number CH -1869092 SSS
CH -3671457 SLA

Pos.	Part no.	Remark	A	Description
1		nsp	1	Instrument panel
2		nsp	1	Instrument panel
3		nsp	1	Instrument panel
4		nsp	1	Instrument panel
5		nsp	1	Instrument panel
6		nsp	1	Bracket
7	812986	M6x10	rq	Self-tapping screw
8	812499	M6x10	3	Flange screw
9	1749008		8	Switch panel
10	1749009		1	Switch panel
11	1751619		rq	Clamp
12	1448133		rq	Blanking piece

17-01-6005 Control panel, Parking brake valve, []



17-01-6005 Control panel, Parking brake valve, []

Pos.	Part no.	Remark	A	Description
1	1884819	1762664 Without interlock valve	1	Panel
2	1443269		1	Blanking piece
3	1751619		4	Clamp