



# Parts Manual

---

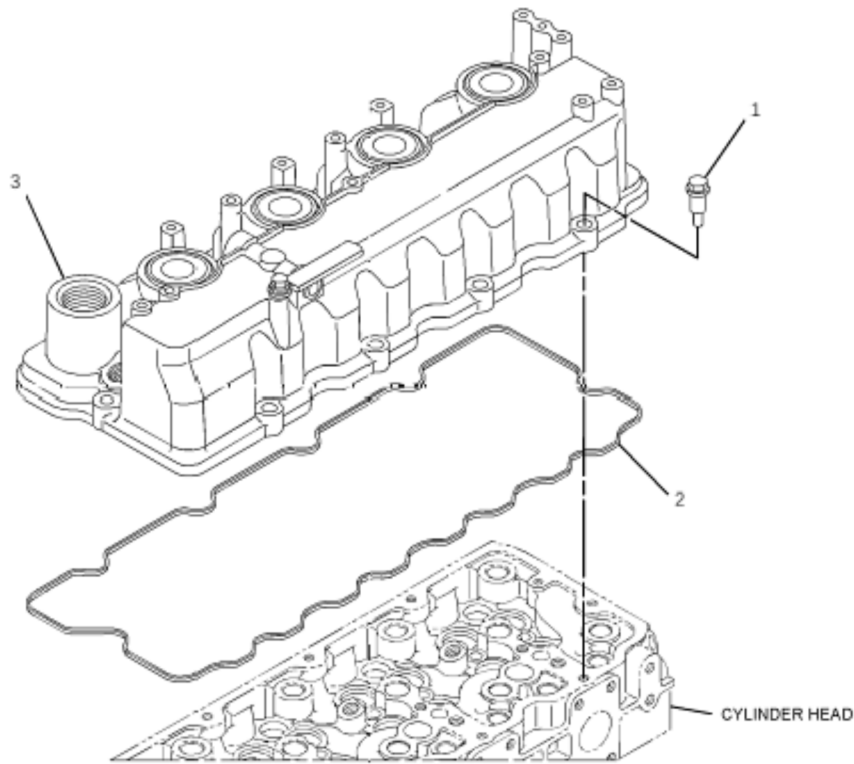
**236D Skid Steer Loader, Powered By C3.3B Engine**

---

S/N: BGZ1-UP

---

*Use the bookmarks for navigation inside of the catalog*



GRAPHIC #1  
g03380000

**236D Skid Steer Loader, Powered By C3.3B Engine**

Media Number - SEBP5968-21 | Publication Date - 01/11/2016 | Date  
Updated - 22/11/2016

i05330901

**437-2559 COVER GP-VALVE MECHANISM  
PART OF 345-3550 ENGINE AR-PRIMARY  
ALSO AN ATTACHMENT**

**ENTIRE GROUP**

Ref. Qty.	NPR Note	Part No.	Part Name
Grp	<u>NPR</u>	437-2559	COVER GP-VALVE MECHANISM

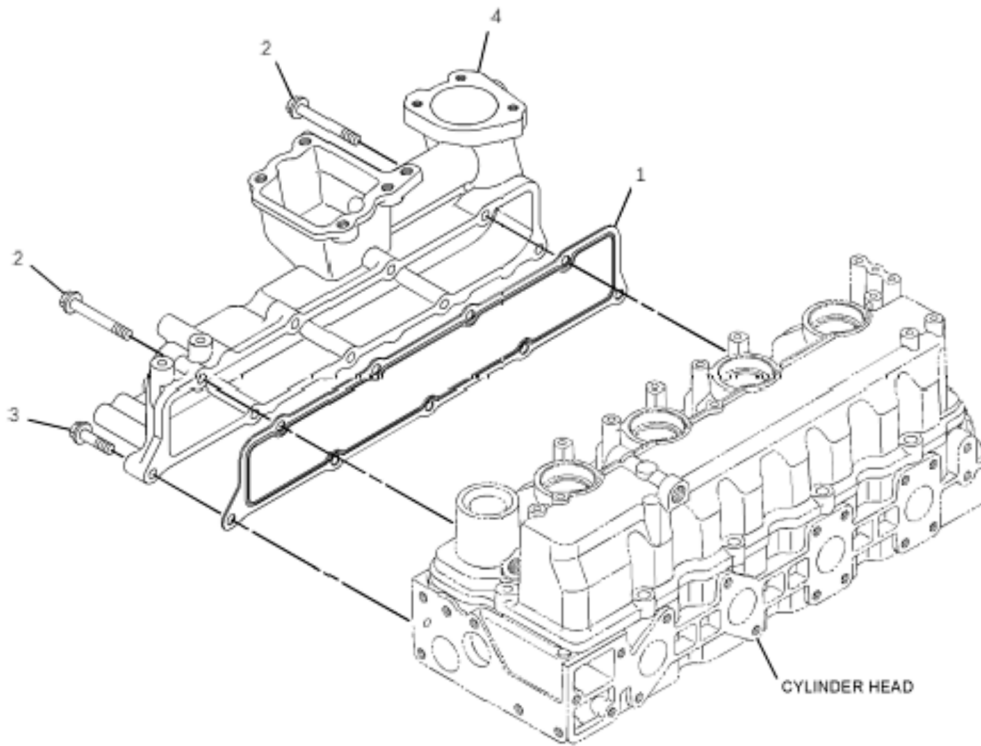
**INDIVIDUAL PARTS**

Ref. Qty.	NPR Note	Part No.	Req. Qty.	Part Name
1	<u>NPR</u>	383-0574	10	BOLT
2	<u>NPR</u>	387-9829	1	GASKET
3	<u>NPR Y</u>	<u>437-3433</u>	1	COVER GP-VALVE MECHANISM

Key:

Y - SEPARATE ILLUSTRATION

SMCS Codes		
1107		



GRAPHIC #1  
g03360031

**236D Skid Steer Loader, Powered By C3.3B Engine**

Media Number - SEBP5968-21 | Publication Date - 01/11/2016 | Date  
Updated - 22/11/2016

i05300603

**436-2851 MANIFOLD GP-INLET  
PART OF 345-3550 ENGINE AR-PRIMARY  
ALSO AN ATTACHMENT**

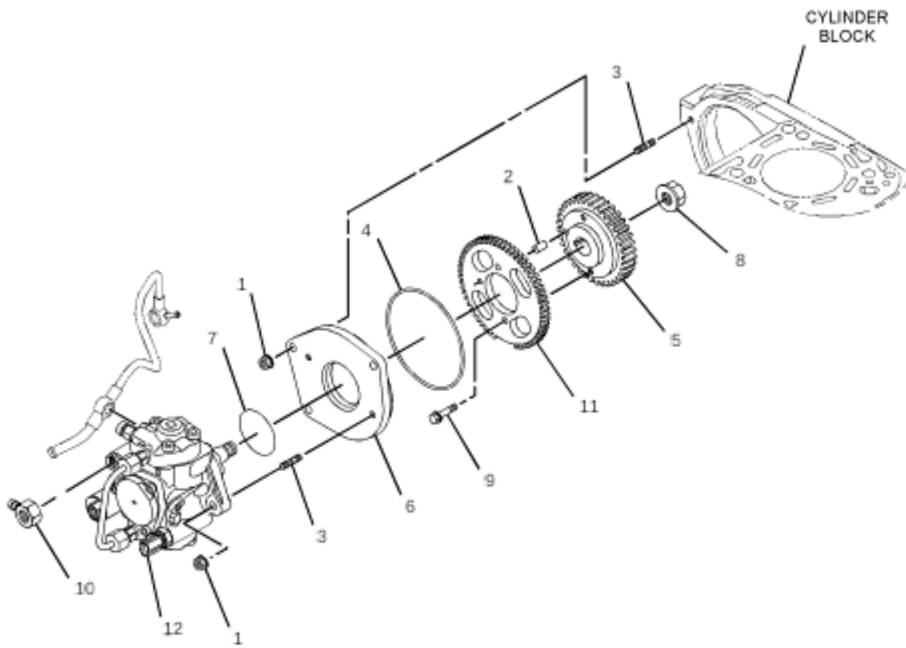
**ENTIRE GROUP**

Ref. Qty.	NPR Note	Part No.	Part Name
Grp	<a href="#">NPR</a>	436-2851	MANIFOLD GP-INLET

**INDIVIDUAL PARTS**

Ref. Qty.	NPR Note	Part No.	Req. Qty.	Part Name
1	<a href="#">NPR</a>	387-9805	1	GASKET
2	<a href="#">NPR</a>	387-9806	2	BOLT-FLANGE HEAD
3	<a href="#">NPR</a>	393-7637	7	BOLT
4	<a href="#">NPR</a>	436-0853	1	MANIFOLD AS-INLET

SMCS Codes		
1058		



GRAPHIC #1  
g03802924

**236D Skid Steer Loader, Powered By C3.3B Engine**

Media Number - SEBP5968-21 | Publication Date - 01/11/2016 | Date  
Updated - 22/11/2016

i06059771

**436-2830 PUMP GP-FUEL  
PART OF 345-3550 ENGINE AR-PRIMARY  
ALSO AN ATTACHMENT**

**ENTIRE GROUP**

Ref. Qty.	NPR Note	Part No.	Part Name
Grp	<a href="#">NPR</a>	436-2830	PUMP GP-FUEL

**INDIVIDUAL PARTS**

Ref. Qty.	NPR Note	Part No.	Req. Qty.	Part Name
1	<a href="#">NPR</a>	383-0199	5	NUT-FLANGE
2	<a href="#">NPR</a>	383-0220	1	PIN
3	<a href="#">NPR</a>	387-9781	5	STUD
4	<a href="#">NPR</a>	387-9879	1	GASKET
5	<a href="#">NPR</a>	436-1093	1	GEAR
6	<a href="#">NPR</a>	436-1094	1	BASE
7	<a href="#">NPR</a>	389-5228	1	GASKET
8	<a href="#">NPR</a>	389-5230	1	NUT

9	<a href="#">NPR</a>	393-7570	2	BOLT-FLANGE HEAD
10	<a href="#">NPR</a>	436-0815	1	EYE
11	<a href="#">NPR</a>	436-1081	1	GEAR
12	<a href="#">NPR Y</a>	<a href="#">436-1091</a>	1	PUMP AS-FUEL INJECTION

Key:

Y - SEPARATE ILLUSTRATION

SMCS Codes		
1256		

**236D Skid Steer Loader, Powered By C3.3B Engine**

Media Number - SEBP5968-21 | Publication Date - 01/11/2016 | Date  
Updated - 22/11/2016

i05322266

**421-4206 HARNESS AS-SENSOR -SELF LEVEL  
PART OF 422-3314 KIT-WORK TOOL POSITIONER, 422-5582 WIRING  
GP-SENSOR, 421-4219, 436-1614 WIRING GP-WORK TOOL  
AN ATTACHMENT**

**ENTIRE GROUP**

Ref. Qty.	NPR Note	Part No.	Part Name
Grp	<u>NPR</u>	421-4206	HARNESS AS-SENSOR -SELF LEVEL

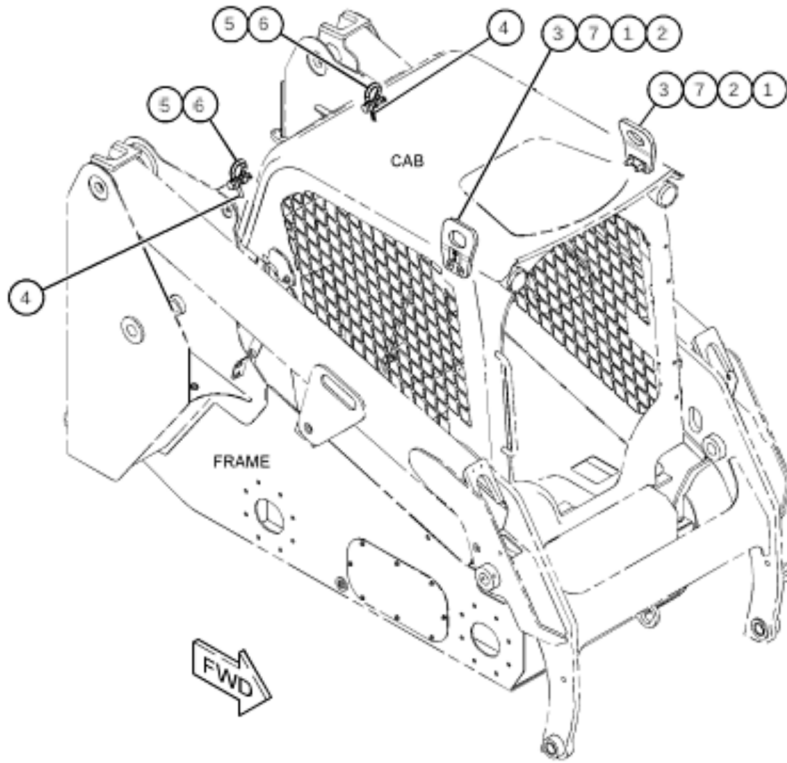
**INDIVIDUAL PARTS**

Ref. Qty.	NPR Note	Part No.	Req. Qty.	Part Name
	<u>NPR</u>	1S-0178	2	CONNECTOR-HOSE
	<u>NPR</u> G	122-6870		HOSE-HYDRAULIC (26.8-IN)
	<u>NPR</u>	9X-3401	6	PIN-CONNECTOR (16-GA TO 18-GA) -OR-
	<u>NPR</u>	126-1767	6	PIN-CONNECTOR (14-GA TO 16-GA)
	<u>NPR</u>	155-2271	2	KIT-CONNECTING PLUG (4-PIN) (EACH INCLUDES PLUG AS, WEDGE & INTERFACE SEAL)
	<u>NPR</u>	230-4013	1	PLUG AS-CONNECTOR (3-PIN)
	<u>NPR</u>	264-7030	1	SEAL-CONNECTOR
	<u>NPR</u>	8T-8737	1	PLUG-SEAL
	<u>NPR</u>	102-8805	1	KIT-RECEPTACLE (6-PIN) (INCLUDES RECEPTACLE AS & WEDGE)
	<u>NPR</u> E	317-1204		SLEEVE (110-CM)
	<u>NPR</u>	9X-3402	3	SOCKET-CONNECTOR (16-GA TO 18-GA) -OR-
	<u>NPR</u>	126-1768	3	SOCKET-CONNECTOR (14-GA TO 16-GA)
	<u>NPR</u>	194-5226	7	WIRE AS (16-GA) -OR-
	<u>NPR</u>	194-5227	7	WIRE AS (14-GA)
	<u>NPR</u>	3S-2093	2	STRAP-CABLE
	<u>NPR</u> B	329-3734		TAPE-ELECTRICAL
	<u>NPR</u> E	8T-2225		TUBE-HEAT SHRINK (25.4-MM DIA)(15-CM)
	<u>NPR</u> E	125-7874		TUBE-HEAT SHRINK (5.72-MM DIA)(10-CM)

Key:

B - USE AS REQUIRED  
E - ORDER BY THE CENTIMETER  
G - ORDER BY THE INCH

SMCS Codes		
1408	1901	



GRAPHIC #1  
g03820959

**236D Skid Steer Loader, Powered By C3.3B Engine**

Media Number - SEBP5968-21 | Publication Date - 01/11/2016 | Date Updated - 22/11/2016

i06078564

**457-1215 LIFTING GP-MACHINE -FOUR POINT  
PART OF 435-8760 CONVERSION AR-MACHINE, 388-7758 CONVERSION  
GP-MACHINE  
AN ATTACHMENT**

**ENTIRE GROUP**

Ref. Qty.	NPR Note	Part No.	Part Name
Grp	<a href="#">NPR</a>	457-1215	LIFTING GP-MACHINE -FOUR POINT

**INDIVIDUAL PARTS**

Ref. Qty.	NPR Note	Part No.	Req. Qty.	Part Name
1	<a href="#">NPR</a>	7E-2700	2	FILM-INFORMATION (LIFT EYE LOCATION)
2	<a href="#">NPR</a>	345-6073	2	PLATE
3	<a href="#">NPR</a>	417-4607	2	PLATE-LIFT
4	<a href="#">NPR</a>	418-8763	2	FILM-IDENTIFICATION (LIFT POINT)
5	<a href="#">NPR</a>	421-0271	4	SPACER (19.5X30X9-MM THK)
6	<a href="#">NPR</a>	479-3348	2	CLEVIS

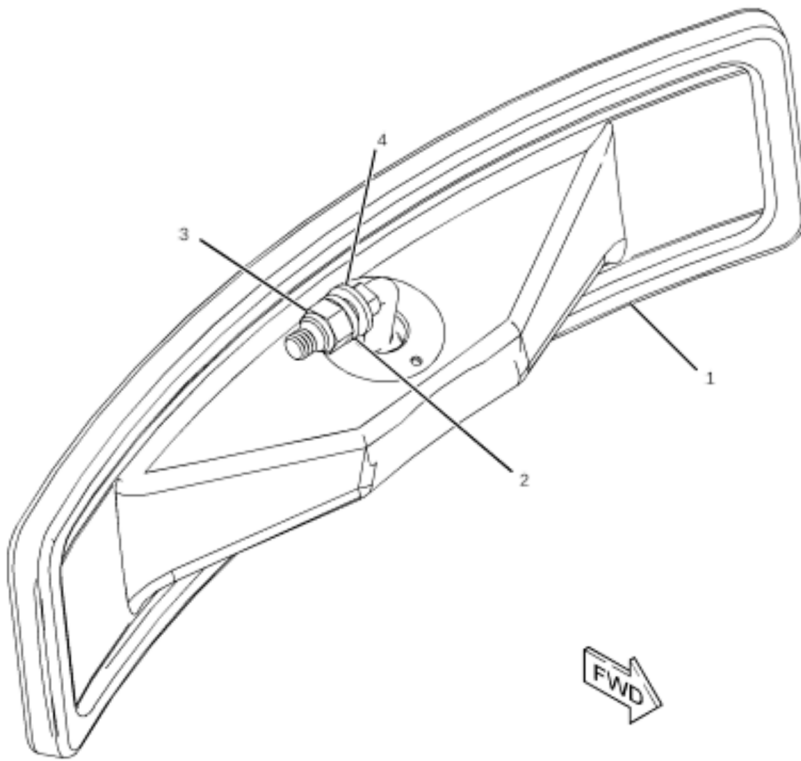
7      **NPR** M      159-2953      4      SCREW-FLAT HEAD (M16X2-THD)

Key:

M - METRIC PART

<b>SMCS Codes</b>		
1122	6459	7000





GRAPHIC #1  
g03809766

**236D Skid Steer Loader, Powered By C3.3B Engine**

Media Number - SEBP5968-21 | Publication Date - 01/11/2016 | Date  
Updated - 22/11/2016

i06618318

**345-6130 MIRROR & MTG GP-REAR VIEW  
PART OF 345-5454 CAB AR  
ALSO AN ATTACHMENT**

**ENTIRE GROUP**

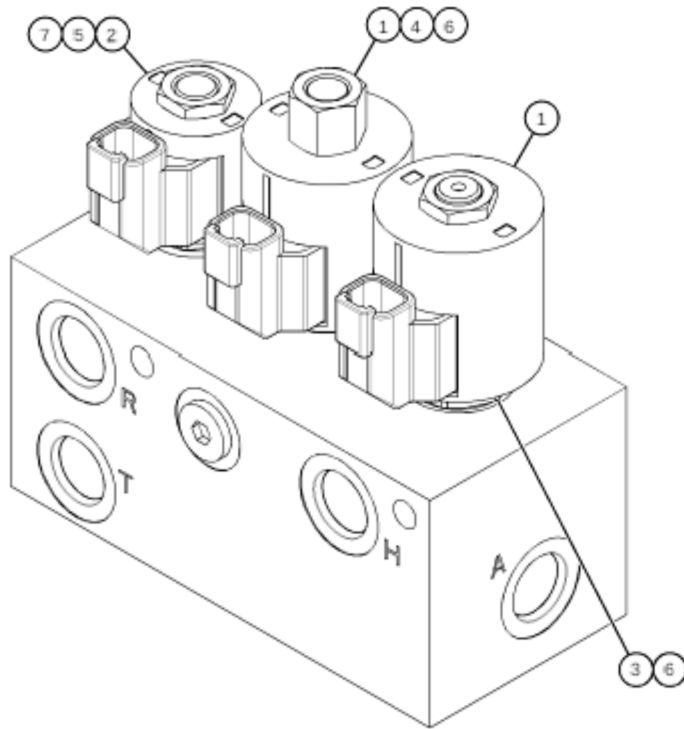
Ref. Qty.	NPR Note	Part No.	Part Name
Grp	<u>NPR</u>	345-6130	MIRROR & MTG GP-REAR VIEW

**INDIVIDUAL PARTS**

Ref. Qty.	NPR Note	Part No.	Req. Qty.	Part Name
1	<u>NPR</u>	485-0409	1	MIRROR AS (REAR VIEW)
2	<u>NPR</u>	3B-4505	1	LOCKWASHER
3	<u>NPR</u> M	3T-0852	1	LOCKNUT (M8X1.25-THD)
4	<u>NPR</u>	8T-4224	1	WASHER-HARD (8.8X16X2-MM THK)

Key:

M - METRIC PART



GRAPHIC #1  
g03827027

**236D Skid Steer Loader, Powered By C3.3B Engine**

Media Number - SEBP5968-21 | Publication Date - 01/11/2016 | Date  
Updated - 22/11/2016

i06124754

**456-1824 MANIFOLD GP-RIDE CONTROL  
PART OF 481-5974 KIT-RIDE CONTROL  
AN ATTACHMENT**

**ENTIRE GROUP**

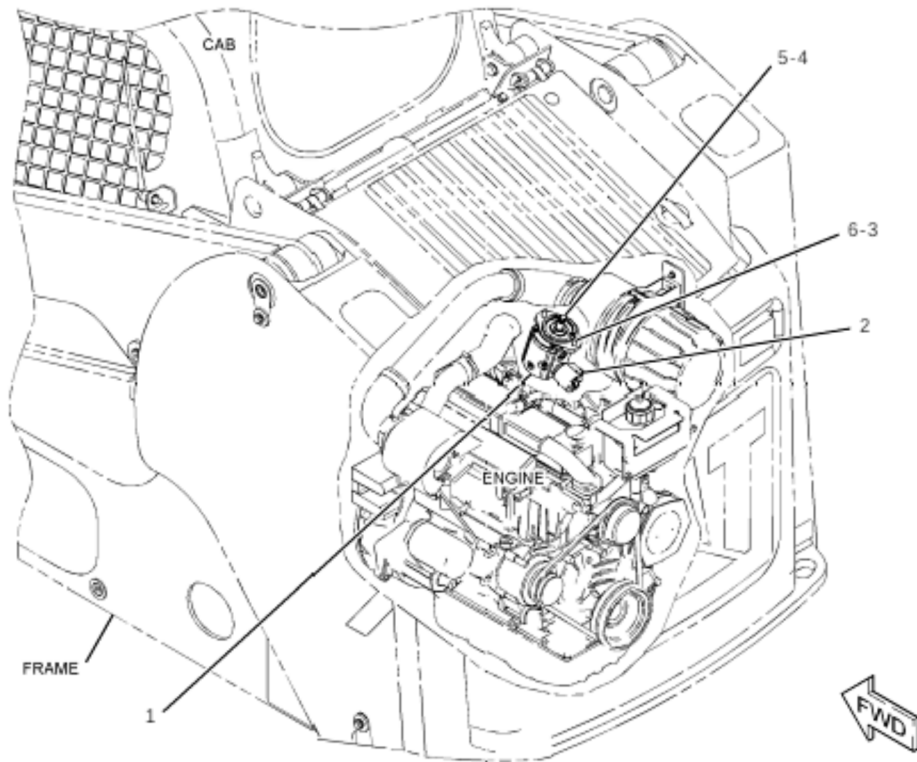
Ref. Qty.	NPR Note	Part No.	Part Name
Grp	<u>NPR</u>	456-1824	MANIFOLD GP-RIDE CONTROL

**INDIVIDUAL PARTS**

Ref. Qty.	NPR Note	Part No.	Req. Qty.	Part Name
1	<u>NPR</u>	238-4628	2	COIL AS (12-VOLT)
2	<u>NPR</u>	238-4626	1	COIL AS (12-VOLT)
3	<u>NPR</u>	359-7230	1	VALVE GP-CONTROL
4	<u>NPR</u>	359-7229	1	VALVE GP-CONTROL
5	<u>NPR</u>	134-8626	1	VALVE-SOLENOID (RIDE CONTROL)
6	<u>NPR</u>	359-7231	2	KIT-SEAL (RIDE CONTROL) (EACH INCLUDES O-RING SEALS)
7	<u>NPR</u>	120-9051	1	KIT-SEAL (CHECK VALVE)

(INCLUDES O-RING SEALS &  
RETAINER RING)

<b>SMCS Codes</b>		
5264		



GRAPHIC #1  
g01315096

**236D Skid Steer Loader, Powered By C3.3B Engine**

Media Number - SEBP5968-21 | Publication Date - 01/11/2016 | Date  
Updated - 22/11/2016

i06255945

**258-2579 MOTOR & MTG GP-HYDRAULIC FAN  
PART OF 422-3401 CONVERSION AR-ROADING, 435-8815, 478-0185  
DISTRIBUTION AR  
AN ATTACHMENT**

**ENTIRE GROUP**

Ref. Qty.	NPR Note	Part No.	Part Name
Grp	<u>NPR</u>	258-2579	MOTOR & MTG GP-HYDRAULIC FAN

**INDIVIDUAL PARTS**

Ref. Qty.	NPR Note	Part No.	Req. Qty.	Part Name
1	<u>NPR</u> J	258-2577	1	MOTOR GP-GEAR (FAN, DEMAND)
	<u>NPR</u> M	8T-0271	2	BOLT-SOCKET HEAD (M10X1.5X35-MM)
	<u>NPR</u> M	9T-4884	2	BOLT (M10X1.5X30-MM)
2	<u>NPR</u>	456-1778	1	VALVE GP-SOLENOID (REAR AXLE FAN UNLOADER)
	<u>NPR</u>	238-4628	1	COIL AS (12-VOLT)
	<u>NPR</u>	453-5488	1	KIT-SEAL

			(INCLUDES BACK UP RING & O-RINGS)
3	<u>NPR</u>	8T-4121	2 WASHER-HARD (11X21X2.5-MM THK)
4	<u>NPR</u>	8T-4224	1 WASHER-HARD (8.8X16X2-MM THK)
5	<u>NPR</u> M	8T-7547	1 BOLT (M8X1.25X30-MM)
6	<u>NPR</u> M	9X-6032	2 BOLT-SOCKET HEAD (M10X1.5X30-MM)

AVAILABLE REPAIR KIT(S):  
 1 KIT-SEAL  
 (INCLUDES E-SEALS, O-RINGS, SHAFT SEAL, SNAP RING, BACKUP SEALS, AXIAL SEAL KIT & SEALS)

Key:

J - KIT MARKED J SERVICES PART(S) MARKED J  
 M - METRIC PART

SMCS Codes		
1386		

Diesel Engines

ABS	Agco-Sisu
Akasaka	Baudouin
BMW	Bukh
Caterpillar	CHN 25/34
Cummins	Daihatsu
Detroit	Deutz
Doosan-Daewoo	Fiat
Ford	GE
Grenaa	Guascor
Hanshin	Hatz
Hino	Honda
Hyundai	Isotta
Isuzu	Iveco
John-Deere	Kelvin
Kioti	Komatsu
Kubota	Liebherr
Lister	Lombardini
MAK	MAN B&W
Mercedes	Mercruiser
Mirrlees BS	Mitsubishi
MTU	MWM
Niigata	Paxman
Perkins	Pielstick
Rolls / Bergen	Ruggerini
Ruston	Scania
Shibaura	Sisu-Valmet
SKL	Smit-Bolnes
Sole	Stork
VM-Motori	Volvo
Volvo Penta	Westerbeke
Wichmann	Yanmar

Machinery

ABG	Airman
Akerman	Ammann
Astra	Atlas Copco
Atlas Weyha.	Atlet
Bell	Bendi
Bigjoe	Bobcat
Bomag	BT
Carelift	Case
Caterpillar	Cesab
Challenger	Champion
Claas	Clark
Combilift	Crown
Daewoo-Doosan	Demag
Deutz-Fahr	Dressta

Machinery

Drott	Dynapack
Extec	Faun
Fendt	Fiat
Fiatallis	Flexicoil
Furukawa	Gehl
Genie	Grove-gmk
Halla	Hamm
Hangcha	Hanix
Hanomag	Hartl
Haulpack	Hiab
Hidromek	Hino truck
Hitachi	Hyster
Hyundai	IHI
Ingersoll-rand	JCB
JLG	John-Deere
Jungheinrich	Kalmar
Kato	Kioti
Kleeman	Kobelco
Komatsu	Kramer
Kubota	Lamborghini
Landini	Liebherr
Linde	Link-belt
Manitou	Massey-Ferg.
Mccormick	MDI-Yutani
Mitsubishi	Moxy
Mustang	Neusson
New-Holland	Nichiyu
Nissan	OK
OM-Pimespo	others-tech
Pel-Job	PH-mining
Poclain	Powerscreen
Same	Samsung
Sandvik	Scania
Schaefer	Schramm
Sennebogen	Shangli
Shibaura	Steiger
Steinbock	Steyr
Still	Sumitomo
Super-pac	Tadano
Takeuchi	TCM
Terex	Toyota
Valpadana	Venieri
Versatile	Vogele
Volvo	Weidemann
Wirtgen	Yale
YAM	Yanmar