



Parts Manual

C9 Generator Set

S/N: C9E1-UP (Generator Set)
S/N: C9L1-UP (C9 Engine)
S/N: G5A1-UP (LC5000 Generator)

Product: GENERATOR SET
Model: C9 GENERATOR SET C9E
Configuration: C9 Generator Set C9E00001-UP

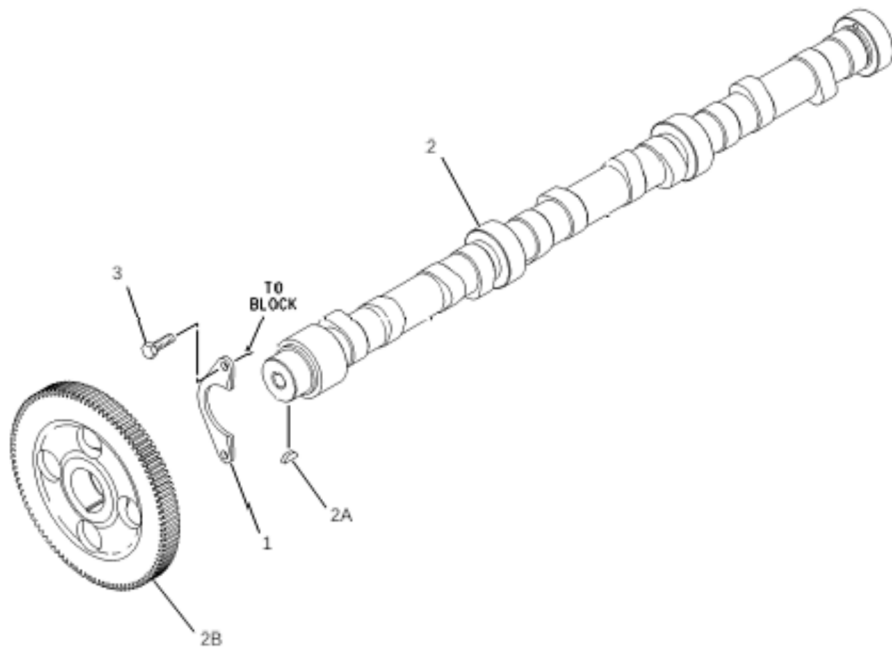
C9 Generator Set

Media Number - SEBP4321-47 | Publication Date - 01/09/2016 | Date Updated - 05/09/2016

MAINTENANCE PARTS

INDIVIDUAL PARTS

Qty.	NPR	Part No.	Req. Qty.	Part Name
	NPR	2P-1388	1	V-BELT SET (INCLUDES 2-BELTS) WHERE USED 257-5707 ENGINE AR
	NPR	2P-1388	1	V-BELT SET (INCLUDES 2-BELTS) WHERE USED 259-1808 ENGINE AR
	NPR	2P-1388	1	V-BELT SET (INCLUDES 2-BELTS) WHERE USED 282-8880 ENGINE AR-COMPLETE
	NPR	2P-1388	1	V-BELT SET (INCLUDES 2-BELTS) WHERE USED 282-8881 ENGINE AR-COMPLETE
	NPR	7E-5097	1	V-BELT SET (INCLUDES 2-BELTS) WHERE USED 263-5694 MODIFICATION AR-ENGINE
	NPR	240-0041	1	BREATHER AS (CRANKCASE) WHERE USED 183-3649 COVER GP-CYLINDER BLOCK
	NPR	135-9819	1	SEAL-INTEGRAL WHERE USED 118-1727 COVER GP-FRONT HOUSING
	NPR	227-4531	1	CAP AS-ENGINE OIL FILLER WHERE USED 235-8174 COVER GP-VALVE MECHANISM
	NPR	268-3490	1	SEAL-VALVE COVER (VALVE MECHANISM BASE) WHERE USED 235-8174 COVER GP-VALVE MECHANISM
	NPR	227-4531	1	CAP AS-ENGINE OIL FILLER WHERE USED 235-8174 COVER GP-VALVE MECHANISM
	NPR	285-4106	1	SEAL-VALVE COVER WHERE USED 235-8174 COVER GP-VALVE MECHANISM
	NPR	268-3490	1	SEAL-VALVE COVER (VALVE MECHANISM BASE) WHERE USED 235-8174 COVER GP-VALVE MECHANISM
	NPR	227-4531	1	CAP AS-ENGINE OIL FILLER WHERE USED 235-8174 COVER GP-VALVE MECHANISM
	NPR	285-4106	1	SEAL-VALVE COVER WHERE USED 235-8174 COVER GP-VALVE MECHANISM
	NPR	268-3490	1	SEAL-VALVE COVER (VALVE MECHANISM BASE) WHERE USED 235-8174 COVER GP-VALVE MECHANISM
	NPR	227-4531	1	CAP AS-ENGINE OIL FILLER WHERE USED 235-8174 COVER GP-VALVE MECHANISM
	NPR	268-3490	1	SEAL-VALVE COVER WHERE USED 280-8003 COVER GP-VALVE MECHANISM
	NPR	285-4106	1	SEAL-VALVE COVER WHERE USED 280-8003 COVER GP-VALVE MECHANISM
	NPR	227-4531	1	CAP AS-ENGINE OIL FILLER WHERE USED 280-8003 COVER GP-VALVE MECHANISM
	NPR	268-3490	1	SEAL-VALVE COVER WHERE USED 280-8003 COVER GP-VALVE MECHANISM
	NPR	227-4531	1	CAP AS-ENGINE OIL FILLER WHERE USED 280-8003 COVER GP-VALVE MECHANISM
	NPR	9L-4896	1	V-BELT GP (WATER PUMP) WHERE USED 256-6166 DRIVE GP-WATER PUMP



GRAPHIC #1
g00626400

C9 Generator Set

Media Number - SEBP4321-47 | Publication Date - 01/09/2016 | Date
Updated - 05/09/2016

i02499356

242-0674 CAMSHAFT GP
S/N S9L1-UP
ALSO AN ATTACHMENT

ENTIRE GROUP

Ref. Qty.	NPR Note	Part No.	Part Name
Grp	NPR	242-0674	CAMSHAFT GP

INDIVIDUAL PARTS

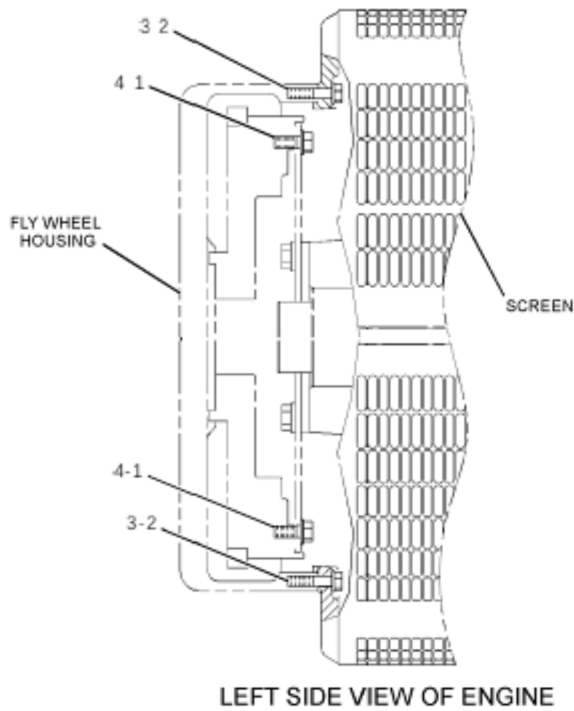
Ref. Qty.	NPR Note	Part No.	Req. Qty.	Part Name
1	NPR	107-7694	1	PLATE-THRUST
2	NPR R	242-0673	1	CAMSHAFT AS
R	NPR	10R-8728	1	CAMSHAFT AS
2A	NPR	1B-8705	1	KEY-WOODRUFF
2B	NPR	224-3247	1	GEAR (100-TEETH)
3	NPR M	6V-3940	2	BOLT (M8X1.25X25-MM)

Key:

M - METRIC PART

R - REMANUFACTURED PART MAY BE AVAILABLE

SMCS Codes		
1210		



GRAPHIC #1
g01360440

C9 Generator Set

Media Number - SEBP4321-47 | Publication Date - 01/09/2016 | Date
Updated - 05/09/2016

i05270498

306-2797 COUPLING GP-GENERATOR
S/N C9E1-UP
FOR USE WITH LC5 GENERATORS AND C9 ENGINE
AN ATTACHMENT

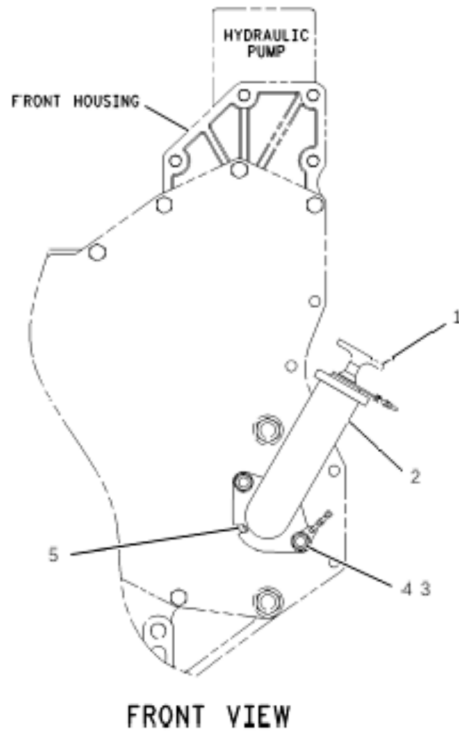
ENTIRE GROUP

Ref. Qty.	NPR Note	Part No.	Part Name
Grp	NPR	306-2797	COUPLING GP-GENERATOR

INDIVIDUAL PARTS

Ref. Qty.	NPR Note	Part No.	Req. Qty.	Part Name
1	NPR	8T-8917	8	BOLT (1/2-13X1.25-IN)
2	NPR	7X-0310	12	BOLT (7/16-14X2-IN)
3	NPR	8T-5360	12	WASHER (12X22.5X2.5-MM THK)
4	NPR	8T-4223	8	WASHER-HARD (13.5X25.5X3-MM THK)

SMCS Codes		
4456		



GRAPHIC #1
g00590539

C9 Generator Set

Media Number - SEBP4321-47 | Publication Date - 01/09/2016 | Date
Updated - 05/09/2016

i05438315

172-8733 FILLER GP-ENGINE OIL
S/N S9L1-UP

**FOR USE WITH ENGINES THAT REQUIRE FRONT OIL FILLER WITH A FILL CAP,
LH SERVICED ENGINES
CANNOT BE USED WITH 197-6010
ALSO AN ATTACHMENT**

ENTIRE GROUP

Ref. Qty.	NPR Note	Part No.	Part Name
Grp	<u>NPR</u>	172-8733	FILLER GP-ENGINE OIL

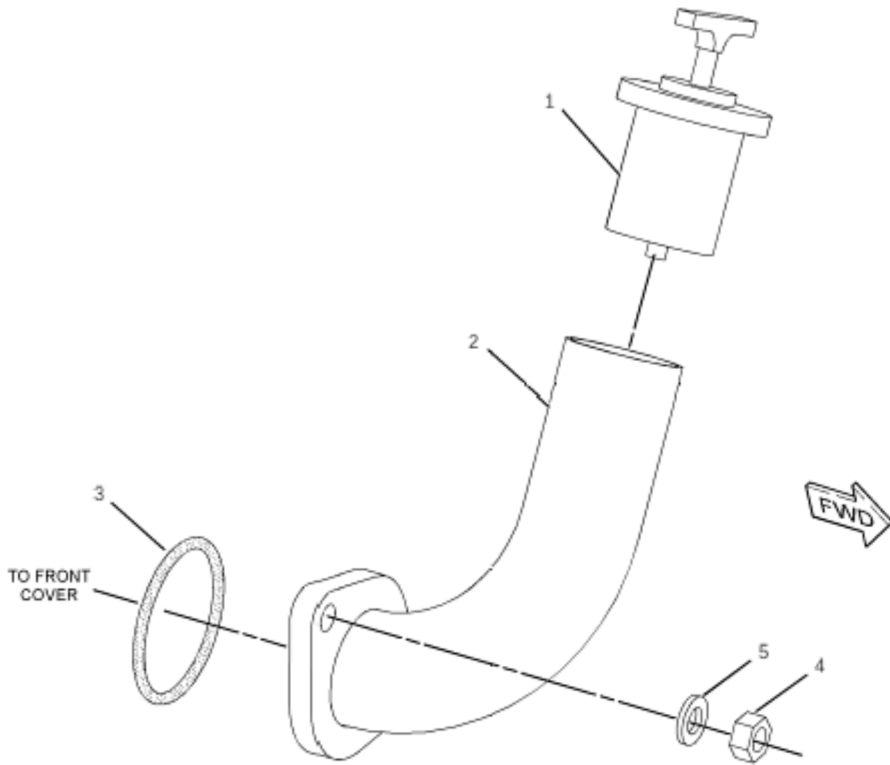
INDIVIDUAL PARTS

Ref. Qty.	NPR Note	Part No.	Req. Qty.	Part Name
1	<u>NPR</u>	068-4497	1	CAP-OIL FILLER (ENGINE)
2	<u>NPR</u>	264-4289	1	TUBE-OIL FILLER
3	<u>NPR</u> M	5C-7261	2	NUT (M8X1.25-THD)
4	<u>NPR</u>	8T-4224	2	WASHER-HARD (8.8X16X2-MM THK)
5	<u>NPR</u>	061-9455	1	SEAL-O-RING

Key:

M - METRIC PART

SMCS Codes		
1316		



GRAPHIC #1
g01204663

C9 Generator Set

Media Number - SEBP4321-47 | Publication Date - 01/09/2016 | Date
Updated - 05/09/2016

i05910560

282-0734 FILLER GP-ENGINE OIL

S/N C9E1-UP

LH, FRONT HOUSING

**CANNOT BE USED WITH 172-8733 FILLER GP-ENGINE OIL
AN ATTACHMENT**

ENTIRE GROUP

Ref. Qty.	NPR Note	Part No.	Part Name
Grp	<u>NPR</u>	282-0734	FILLER GP-ENGINE OIL

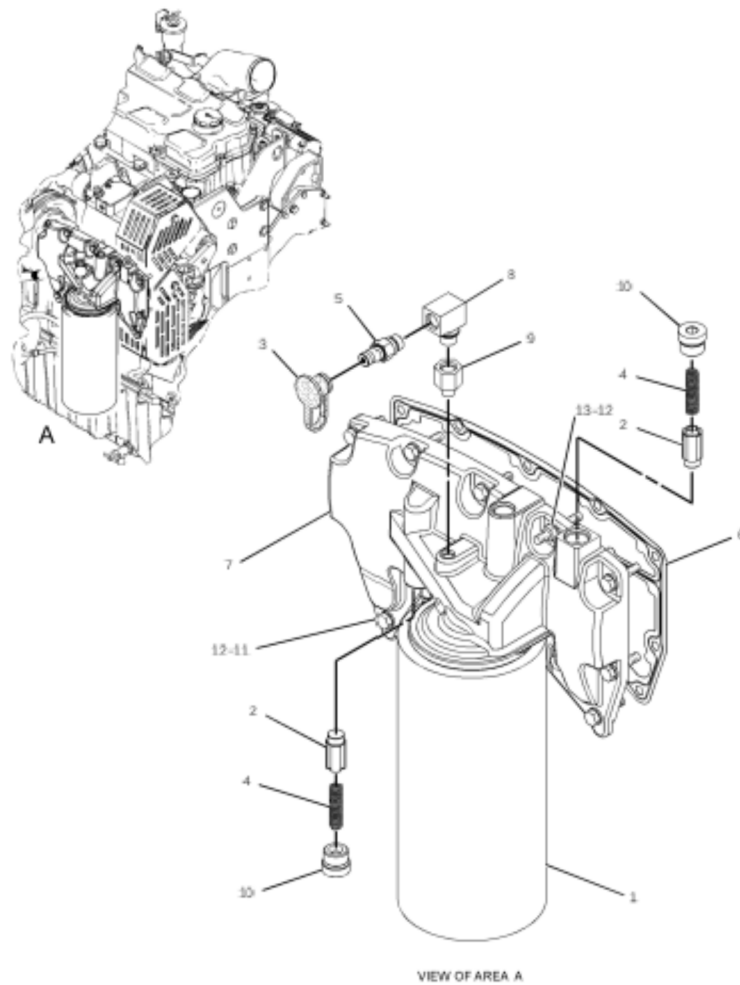
INDIVIDUAL PARTS

Ref. Qty.	NPR Note	Part No.	Req. Qty.	Part Name
1	<u>NPR</u>	068-4497	1	CAP-OIL FILLER (ENGINE)
2	<u>NPR</u>	241-2942	1	TUBE AS-OIL
3	<u>NPR</u>	061-9455	1	SEAL-O-RING
4	<u>NPR</u> M	5C-7261	2	NUT (M8X1.25-THD)
5	<u>NPR</u>	8T-4224	2	WASHER-HARD (8.8X16X2-MM THK)

Key:

M - METRIC PART

SMCS Codes		
1316		



GRAPHIC #1
g03180036

C9 Generator Set

Media Number - SEBP4321-47 | Publication Date - 01/09/2016 | Date
Updated - 05/09/2016

i05096329

**220-1998 FILTER GP-ENGINE OIL
S/N S9L1-UP
ALSO AN ATTACHMENT**

ENTIRE GROUP

Ref. Qty.	NPR Note	Part No.	Part Name
Grp	NPR	220-1998	FILTER GP-ENGINE OIL

INDIVIDUAL PARTS

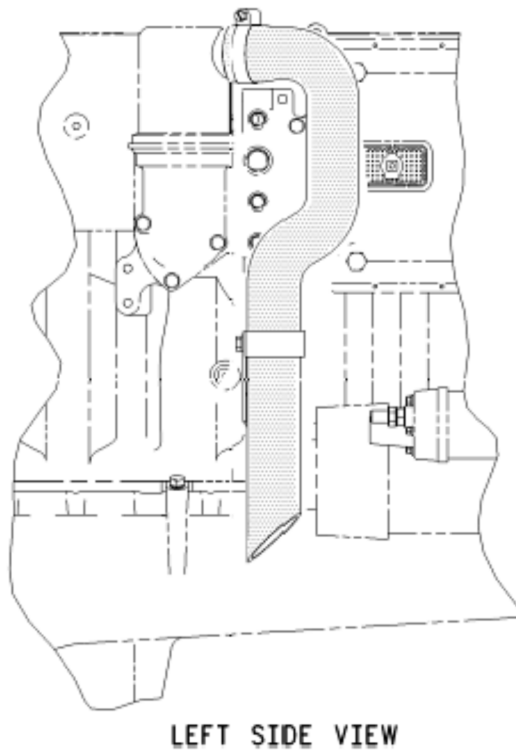
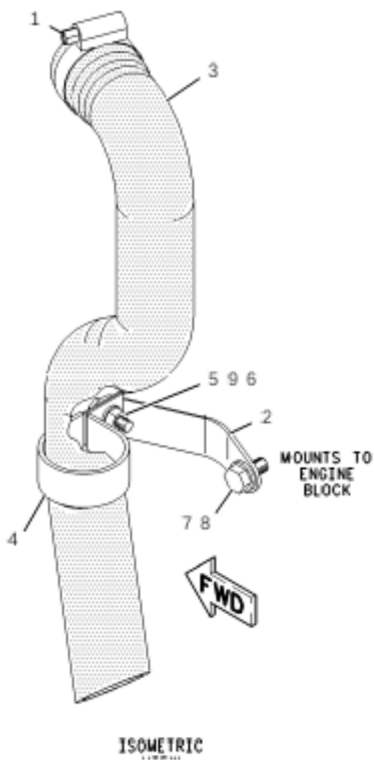
Ref. Qty.	NPR Note	Part No.	Req. Qty.	Part Name
1	NPR	1R-1808	1	FILTER-ENGINE OIL (ADVANCED EFFICIENCY)
2	NPR	7C-1493	2	VALVE AS-BYPASS (ENGINE OIL FILTER)
3	NPR	8C-3445	1	CAP-DUST
4	NPR	242-3864	2	SPRING
5	NPR	377-9587	1	VALVE AS-FLUID SAMPLING (ENGINE OIL)
	NPR	214-7568	1	SEAL-O-RING
6	NPR	209-7290	1	GASKET

7	<u>NPR</u>	209-7291	1	BASE AS-OIL FILTER (ENGINE)
	<u>NPR</u>	2P-4304	1	STUD-HOLLOW
8	<u>NPR</u>	315-9835	1	ELBOW AS
	<u>NPR</u>	6V-0484	1	ELBOW
	<u>NPR</u>	214-7568	1	SEAL-O-RING
9	<u>NPR</u>	329-5518	1	ADAPTER AS
	<u>NPR</u>	8T-2353	1	ADAPTER
	<u>NPR</u>	214-7566	1	SEAL-O-RING
10	<u>NPR</u>	377-9593	2	PLUG AS
				(EACH INCLUDES)
	<u>NPR</u>	9N-6152	1	PLUG
	<u>NPR</u>	238-5081	1	SEAL-O-RING
11	<u>NPR</u> M	6V-5218	11	BOLT (M8X1.25X35-MM)
12	<u>NPR</u>	9M-1974	12	WASHER-HARD (8.8X16X2-MM THK)
13	<u>NPR</u> M	145-2264	1	STUD (M8X1.25X35-MM)

Key:

M - METRIC PART

SMCS Codes		
1306	1308	



GRAPHIC #1
g00984667

C9 Generator Set

Media Number - SEBP4321-47 | Publication Date - 01/09/2016 | Date
Updated - 05/09/2016

i06714616

187-3077 FUMES DISPOSAL GP
S/N S9L1-UP
FOR USE WITH 183-3649
ALSO AN ATTACHMENT

ENTIRE GROUP

Ref. Qty.	NPR Note	Part No.	Part Name
Grp	<u>NPR</u>	187-3077	FUMES DISPOSAL GP

INDIVIDUAL PARTS

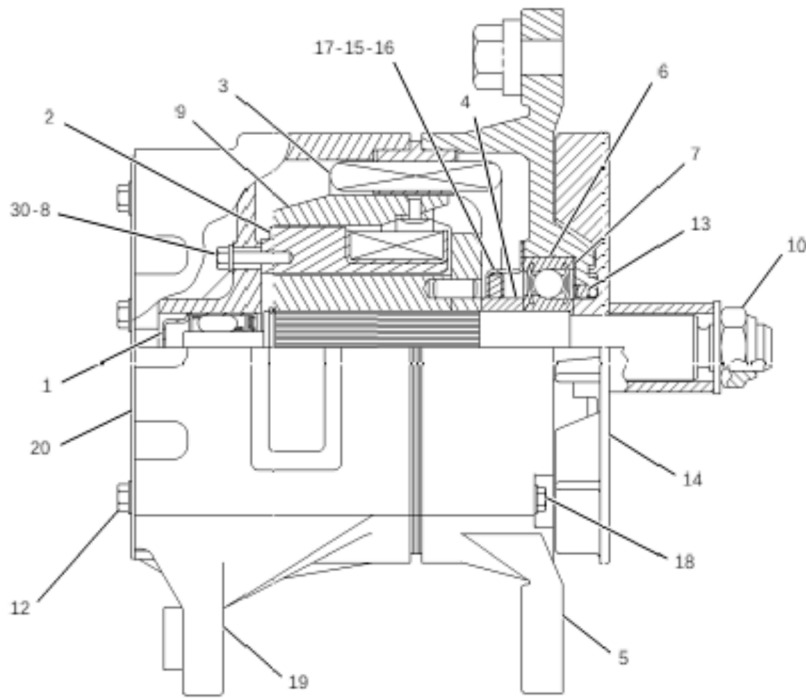
Ref. Qty.	NPR Note	Part No.	Req. Qty.	Part Name
1	<u>NPR</u>	5P-0597	1	CLAMP-HOSE
2	<u>NPR</u>	193-0731	1	BRACKET
3	<u>NPR</u>	193-5510	1	HOSE-FUMES DISPOSAL
4	<u>NPR</u>	5P-4325	1	CLIP
5	<u>NPR</u> M	5P-7970	1	NUT (M8X1.25-THD)
6	<u>NPR</u> M	6V-3940	1	BOLT (M8X1.25X25-MM)
7	<u>NPR</u>	6V-5839	1	WASHER (11X21X2.5-MM THK)

8	<u>NPR</u> M	6V-6317	1	BOLT (M10X1.5X20-MM)
9	<u>NPR</u>	9M-1974	2	WASHER-HARD (8.8X16X2-MM THK)

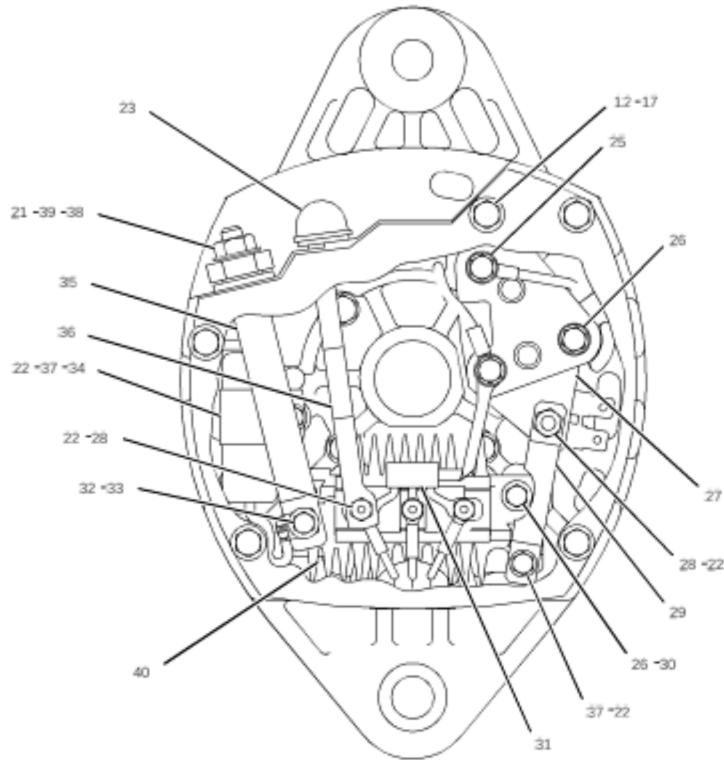
Key:

M - METRIC PART

SMCS Codes		
1074	1317	



GRAPHIC #1
g01313047



GRAPHIC #2
g01313052

C9 Generator Set

Media Number - SEBP4321-47 | Publication Date - 01/09/2016 | Date Updated - 05/09/2016

i04724629

5N-5692 ALTERNATOR GP-CHARGING

S/N S9L1-UP

24-VOLT, 45-AMPERE

Type 1

ALSO AN ATTACHMENT

ENTIRE GROUP

Ref.	Qty.	NPR Note	Part No.	Part Name
Grp		NPR	5N-5692	ALTERNATOR GP-CHARGING
R		NPR	0R-2698	ALTERNATOR GP -B

INDIVIDUAL PARTS

Ref.	Qty.	NPR Note	GR#	Part No.	Req. Qty.	Part Name
1		NPR	1	5P-6920	1	BEARING-ROLLER
2		NPR	1	7N-7806	1	COIL AS-FIELD
3		NPR	1	9G-5578	1	STATOR AS (24-VOLT)
4		NPR	1	7N-7795	1	COLLAR
5		NPR	1	7N-7810	1	FRAME AS-DRIVE END
6		NPR	1	6V-2202	1	BALL BEARING
7		NPR	1	9L-2140	1	PLATE

8	NPR	1	7X-3353	4	SCREW-HEX HEAD (10X24X19.05-MM)
9	NPR	1	7N-7800	1	ROTOR AS
10	NPR	1	187-2034	1	NUT-FLANGE (5/8-18-THD)
12	NPR	1,2	030-9612	5	SCREW-FORMING (10-24X0.5-IN)
13	NPR	1	9L-2139	1	WASHER-FELT (1.31X1.68X0.125-IN THK)
14	NPR	1	3E-5454	1	FAN-ALTERNATOR (11-BLADE)
15	NPR	1	9S-2437	3	SCREW-TAPPING (10-24X19.05-MM)
16	NPR	1	9L-2137	1	RETAINER AS
17	NPR	1,2	8F-1434	4	LOCKWASHER
18	NPR	1	7N-9024	4	BOLT (10-24X2.5-IN)
19	NPR	1	7N-7805	1	HOUSING
20	NPR	1	7N-7809	1	PLATE
21	NPR	2	8T-4205	1	WASHER-HARD (7.2X14.5X2-MM THK)
22	NPR	2	9B-7233	6	LOCKWASHER
23	NPR	2	9L-6770	1	CAP-DUST
25	NPR	2	6N-1872	2	SCREW AS (8-32X1.25-IN)
26	NPR	2	7N-9023	2	SCREW AS (8-32X26.9-MM)
27	NPR	2	3T-6354	1	REGULATOR AS-VOLTAGE (24-VOLT) (ALTERNATOR AIR)
28	NPR	2	6V-8377	4	NUT (8-32-THD)
29	NPR	2	7N-7811	1	CONNECTOR
30	NPR	1,2	8T-0328	6	WASHER-HARD (5.5X10X1-MM THK)
31	NPR	2	112-9119	1	DIODE AS-ALTERNATOR
32	NPR	2	7N-9021	1	SCREW AS (8-32X1.34-IN)
33	NPR	2	7N-7796	1	BUSHING-TERMINAL
34	NPR	2	7N-7802	1	CAPACITOR AS
35	NPR	2	7N-7798	1	CONNECTOR
36	NPR	2	7N-7801	1	CONNECTOR
37	NPR	2	9S-2544	2	SCREW-HEX HEAD (8-32X11.13-MM)
38	NPR	2	1H-3244	1	LOCKWASHER
39	NPR	2	6V-8187	1	NUT (1/4-28-THD)
40	NPR	2	206-4202	1	RECTIFIER AS

AVAILABLE REPAIR KIT(S):

NPR	7N-7807	1	KIT-OUTPUT TERMINAL (ALTERNATOR) (INCLUDES INSULATOR, SCREWS, WASHERS, LOCKWASHERS, NUTS & ADAPTERS)
NPR	7N-7808	1	KIT-RELAY TERMINAL (ALTERNATOR) (INCLUDES STUDS, BUSHINGS, WASHERS & NUT AS)

SMCS Codes		
1405		