



Parts Manual

3608 GENERATOR, INDUSTRIAL, LOCOMOTIVE AND MARINE
January 1998 to Current

S/N: 6NC1-UP



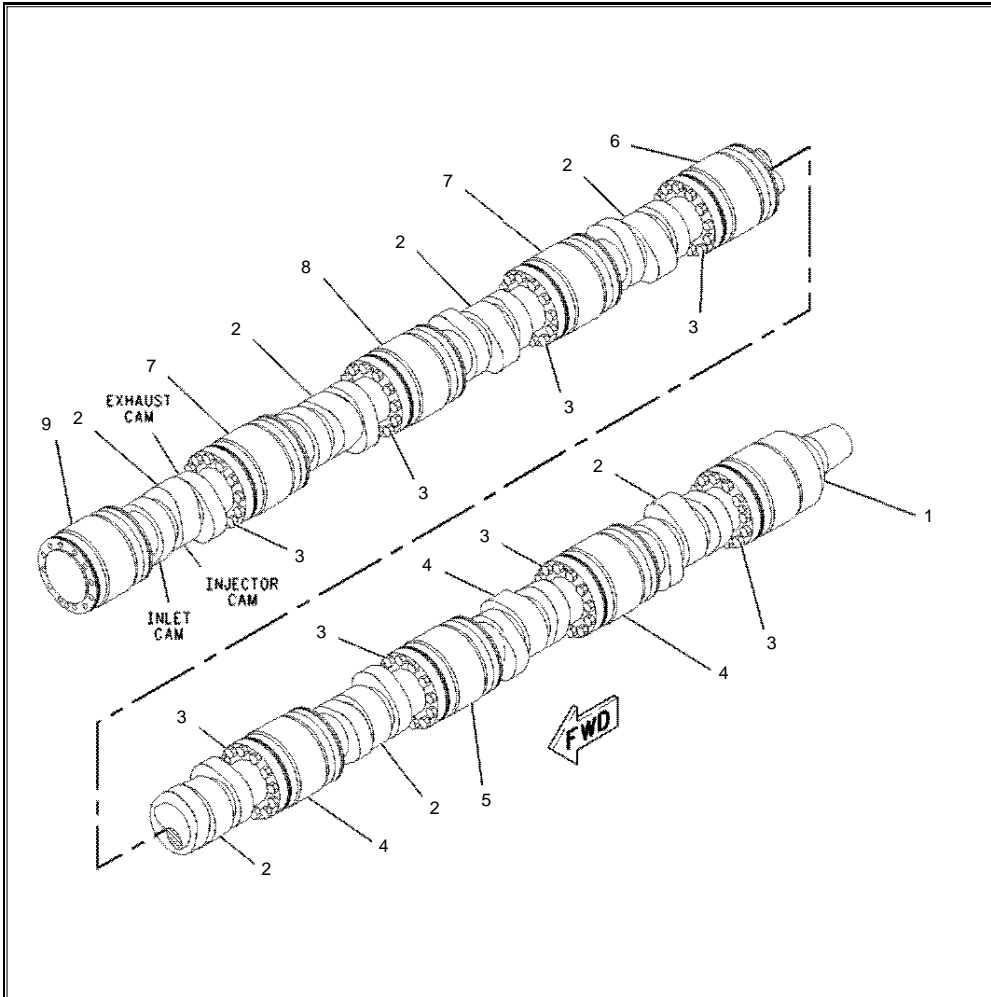
3608 GENERATOR, INDUSTRIAL, LOCOMOTIVE AND MARINE January 1998 to Current
Media Number - SEBP3780-67 | Publication Date - 01/08/2010 | Date Updated - 09/08/2010

MAINTENANCE PARTS

INDIVIDUAL PARTS

Qty.	NPR	Part No.	Req. Qty.	Part Name
				KEY
	NPR	126-7409	1	WHERE USED 125-3660 SHAFT GP-STUB
				KEY
	NPR	126-7409	1	WHERE USED 128-1707 SHAFT GP-STUB
				KEY
	NPR	126-7409	1	WHERE USED 160-0402 SHAFT GP-STUB
				BREATHER AS (CRANKCASE)
	NPR	4W-3027	2	WHERE USED 1W-0800 BREATHER GP
				CAP-FILLER (ENGINE OIL)
	NPR	4P-6979	1	WHERE USED 7E-1659 CAP GP-ENGINE OIL FILLER
				CAP GP-ENGINE OIL FILLER
	NPR	7E-1659	1	WHERE USED 9Y-9927 FILLER GP-ENGINE OIL
				FILTER ELEMENT-ENGINE OIL
	NPR	179-1502	6	WHERE USED 1W-0798 FILTER GP-ENGINE OIL
				FILTER ELEMENT-ENGINE OIL
	NPR	179-1502	6	WHERE USED 7C-9591 FILTER GP-ENGINE OIL
				BOLT (3/8-16X2-IN)
	NPR	0S-1590	2	WHERE USED 4P-2372 LINES GP-CENTRIFUGAL FILTER
				SCREEN AS-SUCTION
	NPR	9Y-3307	1	WHERE USED 9Y-3303 LINES GP-ENGINE OIL
				SCREEN AS-SUCTION
	NPR	9Y-3307	1	WHERE USED 147-2540 LINES GP-ENGINE OIL
				REGULATOR-WATER TEMPERATURE (51-DEG C)
	NPR	6I-4952	4	WHERE USED 2W-2665 HOUSING & REGULATOR GP
				REGULATOR-WATER TEMPERATURE
	NPR	6I-4953	4	WHERE USED 4P-5233 HOUSING & REGULATOR GP
				REGULATOR-WATER TEMPERATURE (51-DEG C)
	NPR	6I-4952	4	WHERE USED 4P-5234 HOUSING & REGULATOR GP
				REGULATOR-WATER TEMPERATURE
	NPR	198-3427	4	WHERE USED 4W-1935 HOUSING & REGULATOR GP
				REGULATOR-TEMPERATURE (89-DEG C)
	NPR	4W-4011	4	WHERE USED 102-3717 HOUSING & REGULATOR GP
				BOLT (3/8-16X2-IN)
	NPR	0S-1590	8	WHERE USED 102-3717 HOUSING & REGULATOR GP
				REGULATOR-WATER TEMPERATURE
	NPR	6I-4953	4	WHERE USED 118-0408 HOUSING & REGULATOR GP
				REGULATOR-WATER TEMPERATURE
	NPR	198-3427	4	WHERE USED 291-3892 HOUSING & REGULATOR GP
				PLUG-DRAIN
	NPR	5B-9169	1	WHERE USED 2W-2760 LINES GP-AUXILIARY SEA WATER
				ROD-ZINC
	NPR	6L-2288	1	WHERE USED 2W-2760 LINES GP-AUXILIARY SEA WATER
				PLUG-DRAIN
	NPR	5B-9169	1	WHERE USED 122-4947 LINES GP-AUXILIARY SEA WATER

NPR 6L-2288	1	ROD-ZINC WHERE USED 122-4947 LINES GP-AUXILIARY SEA WATER
NPR 4W-4011	4	REGULATOR-TEMPERATURE (89-DEG C) WHERE USED 1W-0803 LINES GP-OIL COOLER
NPR 4W-4011	4	REGULATOR-TEMPERATURE (89-DEG C) WHERE USED 4P-2341 LINES GP-OIL COOLER
NPR 198-3427	4	REGULATOR-WATER TEMPERATURE WHERE USED 2W-3340 LINES GP-WATER
NPR 198-3427	4	REGULATOR-WATER TEMPERATURE WHERE USED 4P-2340 LINES GP-WATER
NPR 198-3427	4	REGULATOR-WATER TEMPERATURE WHERE USED 4W-0371 LINES GP-WATER
NPR 247-7133	4	REGULATOR-WATER TEMPERATURE (98-DEG C) WHERE USED 6I-0419 REGULATOR GP-TEMPERATURE
NPR 247-7133	4	REGULATOR-WATER TEMPERATURE (98-DEG C) WHERE USED 122-9995 REGULATOR GP-TEMPERATURE
NPR 294-9052	1	KIT-RADIATOR CAP WHERE USED 2W-2664 TANK GP-EXPANSION
NPR 294-9052	1	KIT-RADIATOR CAP WHERE USED 9Y-1528 TANK GP-EXPANSION
NPR 294-9052	1	KIT-RADIATOR CAP WHERE USED 115-5576 TANK GP-EXPANSION
NPR 236-4603	4	ELEMENT-TEMPERATURE WHERE USED 236-4599 VALVE GP-THERMOSTATIC
NPR 105-9741	2	FILTER ELEMENT AS-AIR (PRIMARY) WHERE USED 4W-5482 AIR CLEANER GP
NPR 105-9741	3	FILTER ELEMENT AS-AIR (PRIMARY) WHERE USED 7C-7722 AIR CLEANER GP
NPR 105-9741	3	FILTER ELEMENT AS-AIR (PRIMARY) WHERE USED 7W-9069 AIR CLEANER GP
NPR 105-9741	3	FILTER ELEMENT AS-AIR (PRIMARY) WHERE USED 118-0056 AIR CLEANER GP
NPR 105-9741	3	FILTER ELEMENT AS-AIR (PRIMARY) WHERE USED 128-5582 AIR CLEANER GP
NPR 105-9741	3	FILTER ELEMENT AS-AIR (PRIMARY) WHERE USED 132-9323 AIR CLEANER GP
NPR 105-9741	2	FILTER ELEMENT AS-AIR (PRIMARY) WHERE USED 132-9331 AIR CLEANER GP
NPR 105-9741	3	FILTER ELEMENT AS-AIR (PRIMARY) WHERE USED 132-9332 AIR CLEANER GP
NPR 105-9741	3	FILTER ELEMENT AS-AIR (PRIMARY) WHERE USED 132-9333 AIR CLEANER GP
NPR 105-9741	2	FILTER ELEMENT AS-AIR (PRIMARY) WHERE USED 141-7959 AIR CLEANER GP
NPR 105-9741	2	FILTER ELEMENT AS-AIR (PRIMARY) WHERE USED 152-6850 AIR CLEANER GP
NPR 137-9974	1	FILTER-SOOT WHERE USED 238-7485 AIR CLEANER GP
NPR 137-9974	1	FILTER-SOOT WHERE USED 238-7485 AIR CLEANER GP
NPR 137-9974	1	FILTER-SOOT WHERE USED 129-9418 SILENCER & AIR CLEANER GP
NPR 137-9974	1	FILTER-SOOT WHERE USED 129-9418 SILENCER & AIR CLEANER GP
NPR 137-9974	1	FILTER-SOOT (AIR) WHERE USED 129-9418 SILENCER & AIR CLEANER GP
NPR 137-9974	1	FILTER-SOOT (AIR) WHERE USED 129-9418 SILENCER & AIR CLEANER GP
NPR 137-9974	1	FILTER-SOOT



GRAPHIC #1
g00713587

3608 GENERATOR, INDUSTRIAL, LOCOMOTIVE AND MARINE January 1998 to Current
Media Number - SEBP3780-67 | Publication Date - 01/08/2010 | Date Updated - 09/08/2010

i02345479

**7E-7201 CAMSHAFT AS (CHG -00 THRU -02)
 STANDARD ROTATION
 PART OF 7E-7200 CAMSHAFT GP**

ENTIRE GROUP

Ref. Qty.	NPR Note	Part No.	Part Name
Grp <input type="text"/>	NPR	7E-7201	CAMSHAFT AS

INDIVIDUAL PARTS

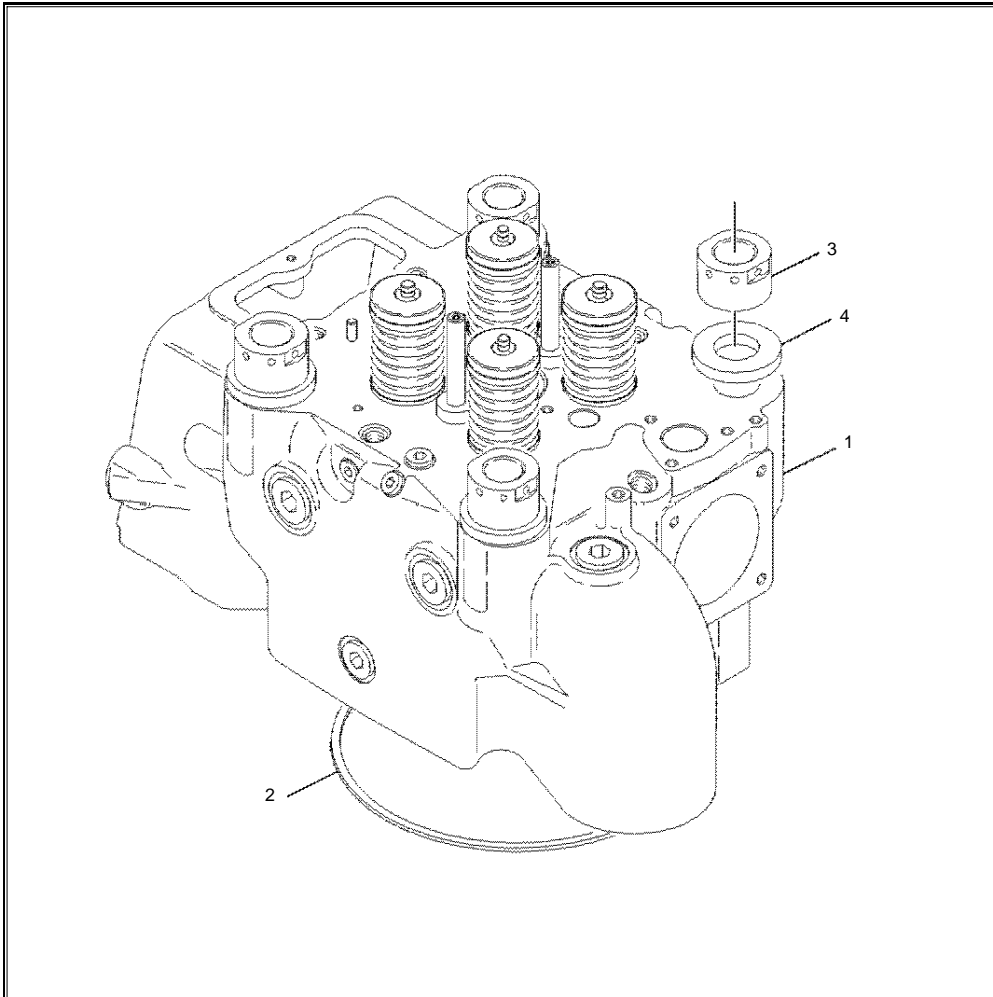
Ref. Qty.	NPR Note	Part No.	Req. Qty.	Part Name
-----------	----------	----------	-----------	-----------

1	<u>NPR</u>	7E-7163	1	SHAFT AS-CAM DRIVE
	<u>NPR</u>	6V-3538	1	DOWEL
2	<u>NPR</u>	7E-7169	8	CAMSHAFT
3	<u>NPR</u>	9X-6380	192	BOLT (5/8-11X1.5-IN)
4	<u>NPR</u>	7E-8131	2	JOURNAL AS-CAMSHAFT (EACH INCLUDES)
	<u>NPR</u>	6V-3538	2	DOWEL
	<u>NPR</u>	7E-8124	1	JOURNAL-CAMSHAFT
5	<u>NPR</u>	7E-8133	1	JOURNAL AS-CAMSHAFT
	<u>NPR</u>	6V-3538	2	DOWEL
	<u>NPR</u>	7E-8126	1	JOURNAL-CAMSHAFT
6	<u>NPR</u>	7E-8127	1	JOURNAL AS-CAMSHAFT
	<u>NPR</u>	6V-3538	2	DOWEL
	<u>NPR</u>	7E-8124	1	JOURNAL-CAMSHAFT
7	<u>NPR</u>	7E-8130	2	JOURNAL AS-CAMSHAFT (EACH INCLUDES)
	<u>NPR</u>	6V-3538	2	DOWEL
	<u>NPR</u>	7E-8124	1	JOURNAL-CAMSHAFT
8	<u>NPR</u>	7E-8132	1	JOURNAL AS-CAMSHAFT
	<u>NPR</u>	6V-3538	2	DOWEL
	<u>NPR</u>	7E-8126	1	JOURNAL-CAMSHAFT
9	<u>NPR</u>	7E-8125	1	JOURNAL-CAMSHAFT

Key:

R - REMFG PART MAY BE AVAILABLE

SMCS Codes		
1210		



GRAPHIC #1
g00798252

3608 GENERATOR, INDUSTRIAL, LOCOMOTIVE AND MARINE January 1998 to Current
Media Number - SEBP3780-67 | Publication Date - 01/08/2010 | Date Updated - 09/08/2010

i02346203

123-1376 CYLINDER HEAD GP (CHG -04 THRU -06)
BLENDED FUEL
Type 1

ENTIRE GROUP

Ref. Qty.	NPR Note	Part No.	Part Name
Grp	NPR	123-1376	CYLINDER HEAD GP

INDIVIDUAL PARTS

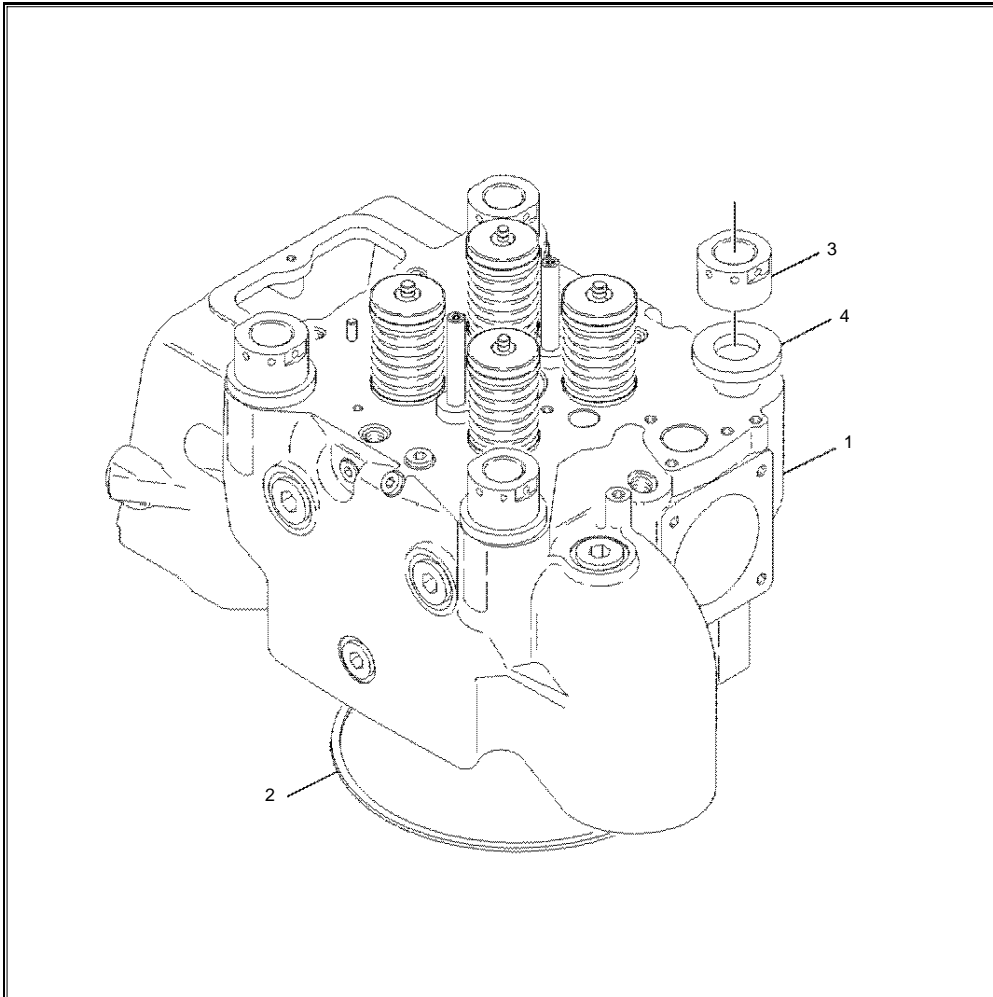
Ref. Qty.	NPR Note	Part No.	Req. Qty.	Part Name
-----------	----------	----------	-----------	-----------

1	<u>NPR</u> RCY	<u>175-6343</u>	1	CYLINDER HEAD GP
R	<u>NPR</u>	0R-7468	1	HEAD GP-CYL
R	<u>NPR</u>	0R-1043	1	HEAD GP-CYL -UTN
2	<u>NPR</u> C	179-4382	1	GASKET
3	<u>NPR</u>	1W-2361	4	NUT-CYLINDER HEAD (1-5/8-12-THD)
4	<u>NPR</u>	1W-2362	4	WASHER (41.5X85X12-MM THK)

Key:

C - CHANGE FROM PREVIOUS TYPE
R - REMFG PART MAY BE AVAILABLE
Y - SEPARATE ILLUSTRATION

SMCS Codes		
1100		



GRAPHIC #1
g00798252

3608 GENERATOR, INDUSTRIAL, LOCOMOTIVE AND MARINE January 1998 to Current
Media Number - SEBP3780-67 | Publication Date - 01/08/2010 | Date Updated - 09/08/2010

i02346202

123-1376 CYLINDER HEAD GP (CHG -07, -07d1, -07d2, -07d3)
BLENDED FUEL
Type 2

ENTIRE GROUP

Ref. Qty.	NPR Note	Part No.	Part Name
Grp	NPR	123-1376	CYLINDER HEAD GP

INDIVIDUAL PARTS

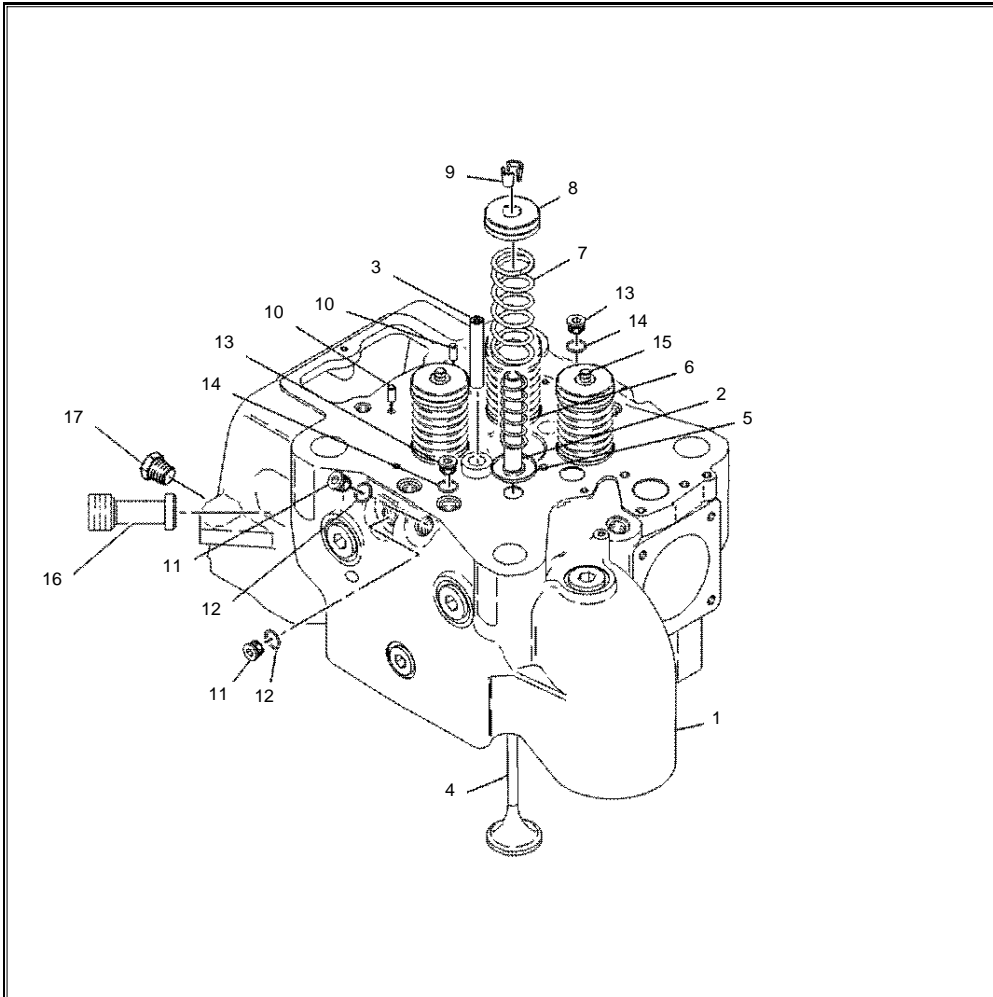
Ref. Qty.	NPR Note	Part No.	Req. Qty.	Part Name
-----------	----------	----------	-----------	-----------

1	<u>NPR</u> CY	<u>206-7278</u>	1	CYLINDER HEAD GP
2	<u>NPR</u>	179-4382	1	GASKET
3	<u>NPR</u>	1W-2361	4	NUT-CYLINDER HEAD (1-5/8-12-THD)
4	<u>NPR</u>	1W-2362	4	WASHER (41.5X85X12-MM THK)

Key:

C - CHANGE FROM PREVIOUS TYPE
Y - SEPARATE ILLUSTRATION

SMCS Codes		
1100		



GRAPHIC #1
g00800353

3608 GENERATOR, INDUSTRIAL, LOCOMOTIVE AND MARINE January 1998 to Current
Media Number - SEBP3780-67 | Publication Date - 01/08/2010 | Date Updated - 09/08/2010

i01535979

**164-7885 CYLINDER HEAD GP (CHG -00)
 FAST VESSEL
 PART OF 164-7886 CYLINDER HEAD GP**

ENTIRE GROUP

Ref. Qty.	NPR Note	Part No.	Part Name
Grp	NPR	164-7885	CYLINDER HEAD GP

INDIVIDUAL PARTS

Ref. Qty.	NPR Note	Part No.	Req. Qty.	Part Name
-----------	----------	----------	-----------	-----------

1	<u>NPR</u> Y	<u>4W-0017</u>	1	CYLINDER HEAD AS
2	<u>NPR</u>	7C-2424	4	GUIDE-VALVE
3	<u>NPR</u>	4W-5441	2	DOWEL-BRIDGE GUIDE
4	<u>NPR</u>	9Y-6232	2	VALVE
5	<u>NPR</u>	1W-1754	4	GUIDE-VALVE SPRING
6	<u>NPR</u>	1W-1749	4	SPRING-VALVE (INNER)
7	<u>NPR</u>	1W-1748	4	SPRING-VALVE (OUTER)
8	<u>NPR</u>	123-0248	4	ROTOCOIL AS
9	<u>NPR</u>	1W-1752	8	LOCK-VALVE RETAINER
10	<u>NPR</u>	6V-3538	2	DOWEL
11	<u>NPR</u>	9S-8004	4	PLUG-O-RING
12	<u>NPR</u>	6V-5049	4	SEAL-O-RING
13	<u>NPR</u>	9S-8005	2	PLUG-O-RING
14	<u>NPR</u>	8L-2786	2	SEAL-O-RING
15	<u>NPR</u>	4P-3079	2	VALVE
16	<u>NPR</u> Y	<u>4W-0345</u>	1	PLUG GP-CYLINDER PRESS RELIEF
17	<u>NPR</u>	3J-5389	1	PLUG

Key:

Y - SEPARATE ILLUSTRATION

SMCS Codes		
1100		



Technical Library

<http://engine.od.ua>

