



Customized
Spare Parts Catalog

**Prepared Specifically for
Perkins 1104C-44T series Engine**

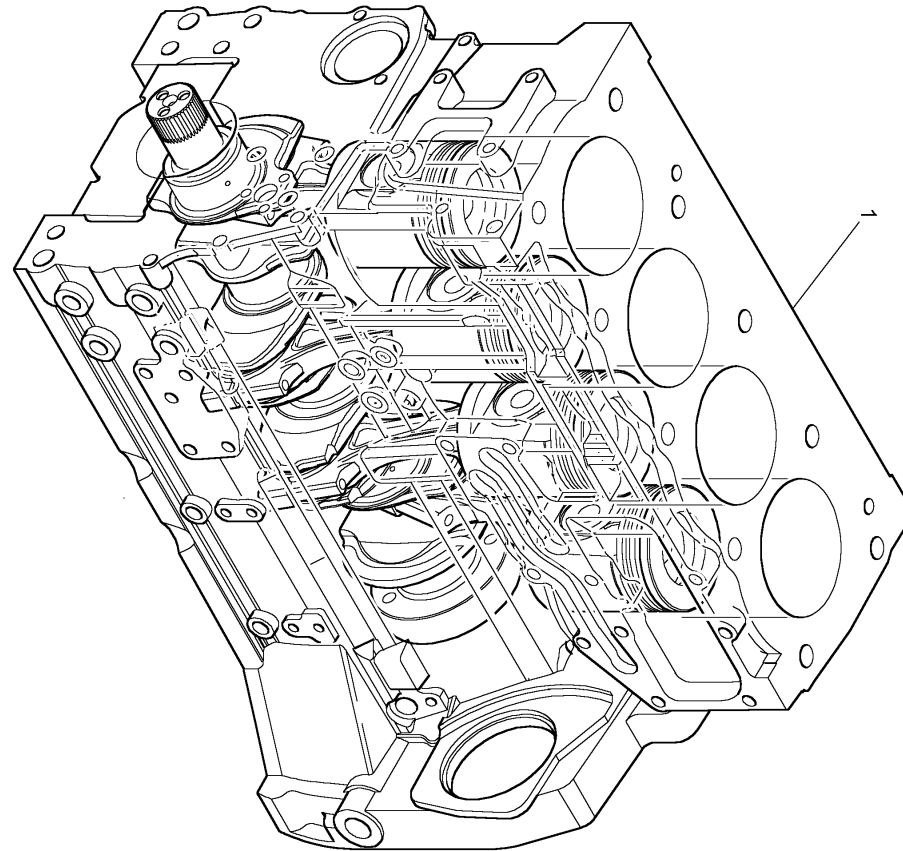
Arrangement (Parts list) number RG38086 (INDUSTRIAL)

Use bookmarks for navigation inside the Parts Catalogue

Pack No.	Description	Cut Out	Cut In	Repairs and Replaces
ACE40001	Short / Long Engine	U491476T		
ACE40023	Short / Long Engine		U491477T	
ACER3783	Exchange Long Engine	U491476T		
ACER3829	Exchange Long Engine		U491477T	
ACHR0044	Core Unit			
ACKR0775	Engine Kits - 0.5mm Oversize			
ACKR0776	Engine Kits - 1.0mm Oversize			
ACKR0777	Engine Kits - Standard Size			
AFHR4285	Fuel Injection Equipment	U112312L		
AFHR4358	Fuel Injection Equipment		U112313L	
DDHR2005	Flywheel & Ring			
EDHR0950	Starter Motor			EDHR0870
FBHR1027	Fan Drive			
GBHR2330	Lubricating Oil Sump			
HBHR2985	Lubricating Oil Filler & Breather			
JBHR2443	Lubricating Oil Filter & Integral Oil Cooler			
JDHR0010	Lubricating Oil Filter & Integral Oil Cooler			
KBHR0602	Front End Drive Input	U491476T		
KBHR0784	Front End Drive Input		U491477T	
LBHR2253	Water Pump & Thermostat			
LDHR0702	Water Outlet / Inlet			
NDHR2810	Alternator & Generator			
QCHR0024	Timing Case & Gear			
QDHR1380	Gear Driven Auxiliary Drive Options			
RBHR0031	Lubricating Oil Pump & Delivery Housing			
SACR0350	Joints & Gaskets - Top Service Kit			SACR0350
SBHR1563	Turbocharger, Manifolds & Air Charge Cooler			
SGBR0384	Joints & Gaskets - Bottom Service Kit			

Pack No.	Description	Cut Out	Cut In	Repairs and Replaces
TBHR0886	Induction Manifold & Air Charge Cooler			
VBHR2302	Low Pressure Fuel System	U112312L		
VBHR2347	Low Pressure Fuel System		U112313L	
WDHR0345	Cold Start System			
XBHR0459	Engine Lifting Eyes			
ZJHR0546	Lubricating Oil Pressure Switch / Gauge			
ZLHR0360	Temperature Gauge & Sender			
ZZHR1012	Applications Miscellaneous & Auxiliaries			

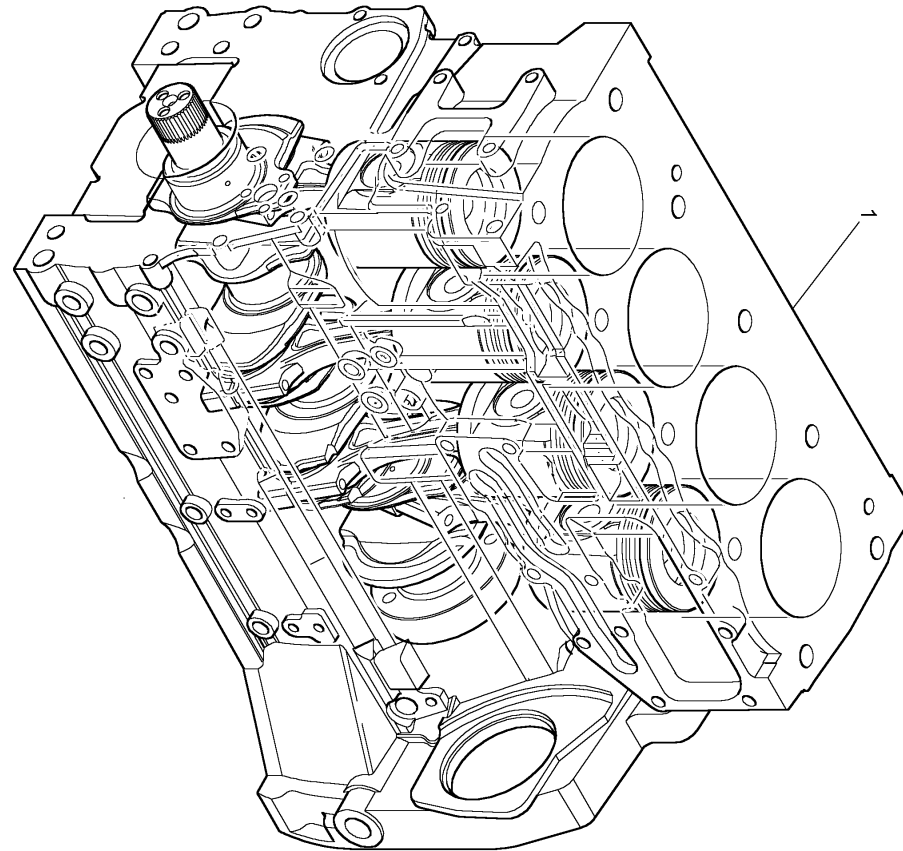
Plate No.	Description	Cut Out	Cut In	Repairs and Replaces
PPL037418	Short Engine			



Short Engine (PPL037418)

RG38086

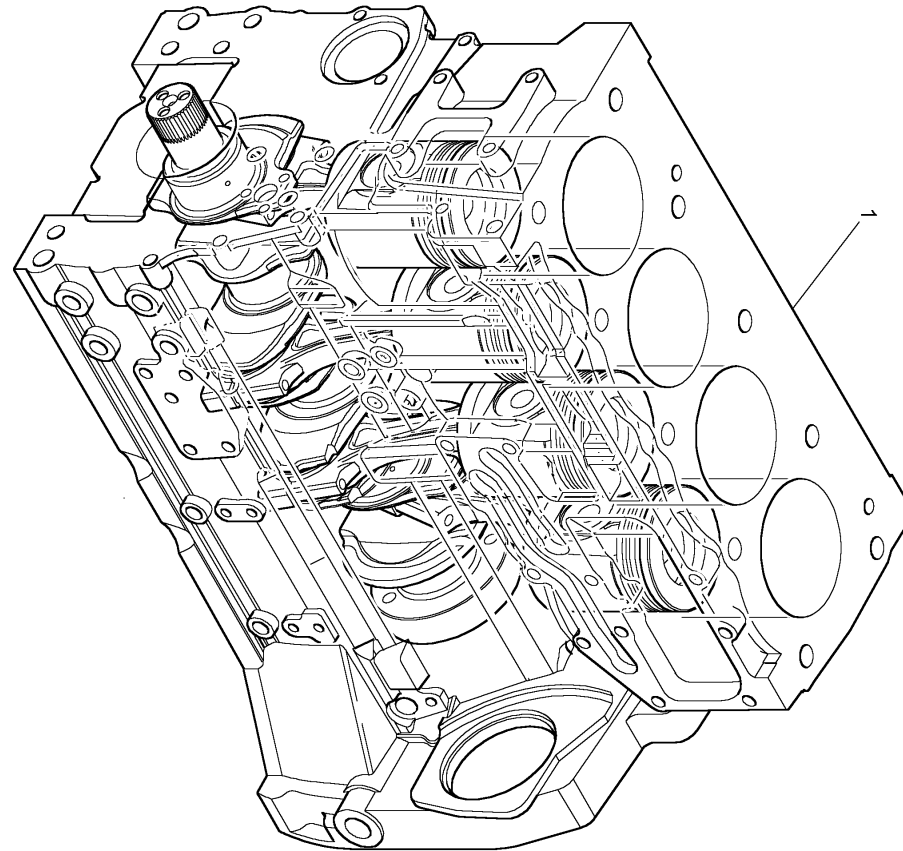
Item	Parts No.	Qty.	Latest Part No.	Description	Cut Out	Cut In	Comment
1	RG40001	1	Check History	SHORT ENGINE - ASSEMBLY			

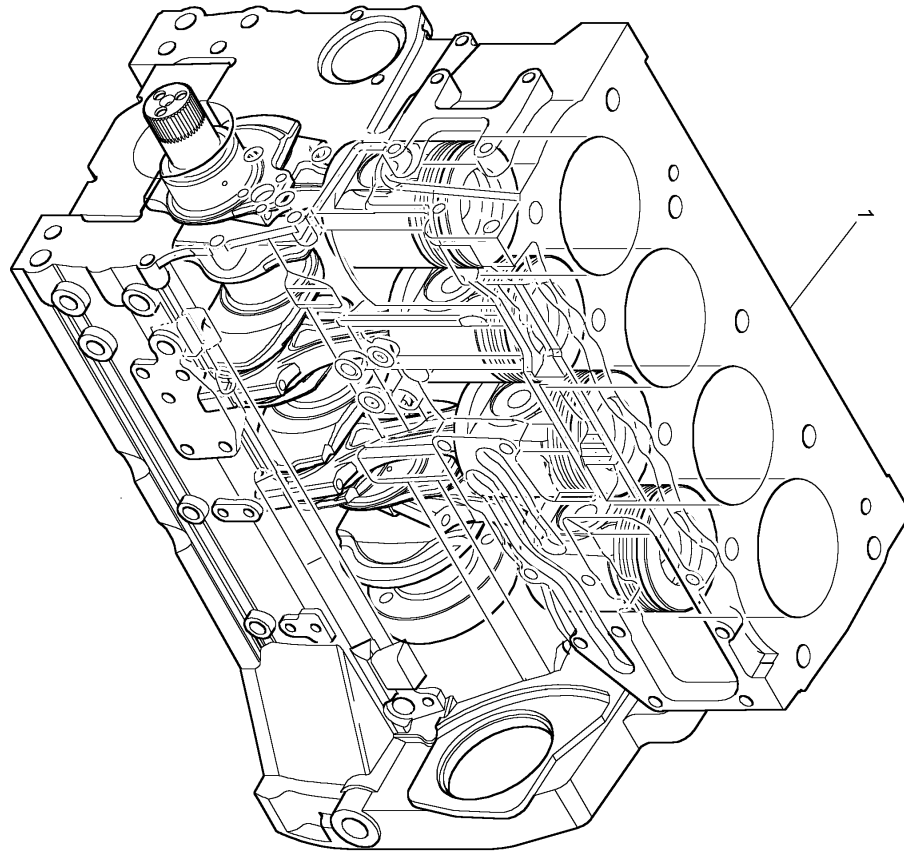


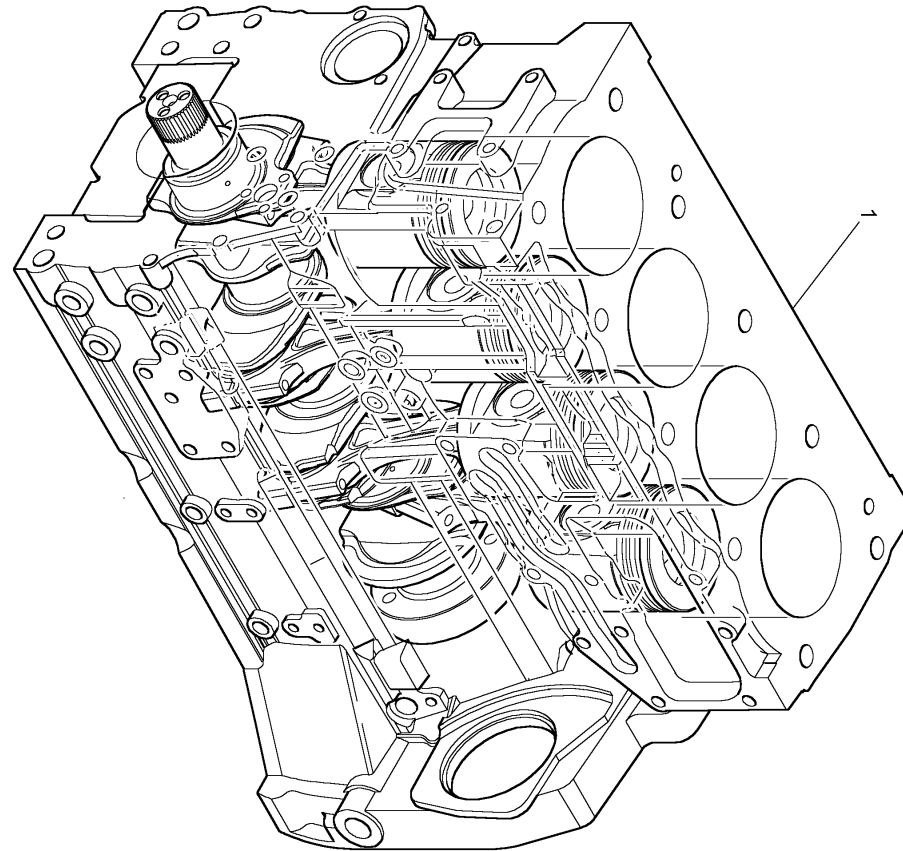
SHORT ENGINE - ASSEMBLY (RG40001)

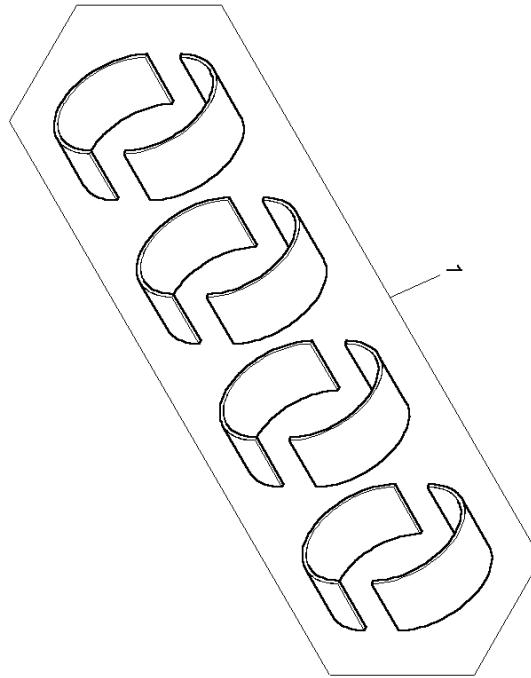
RG38086

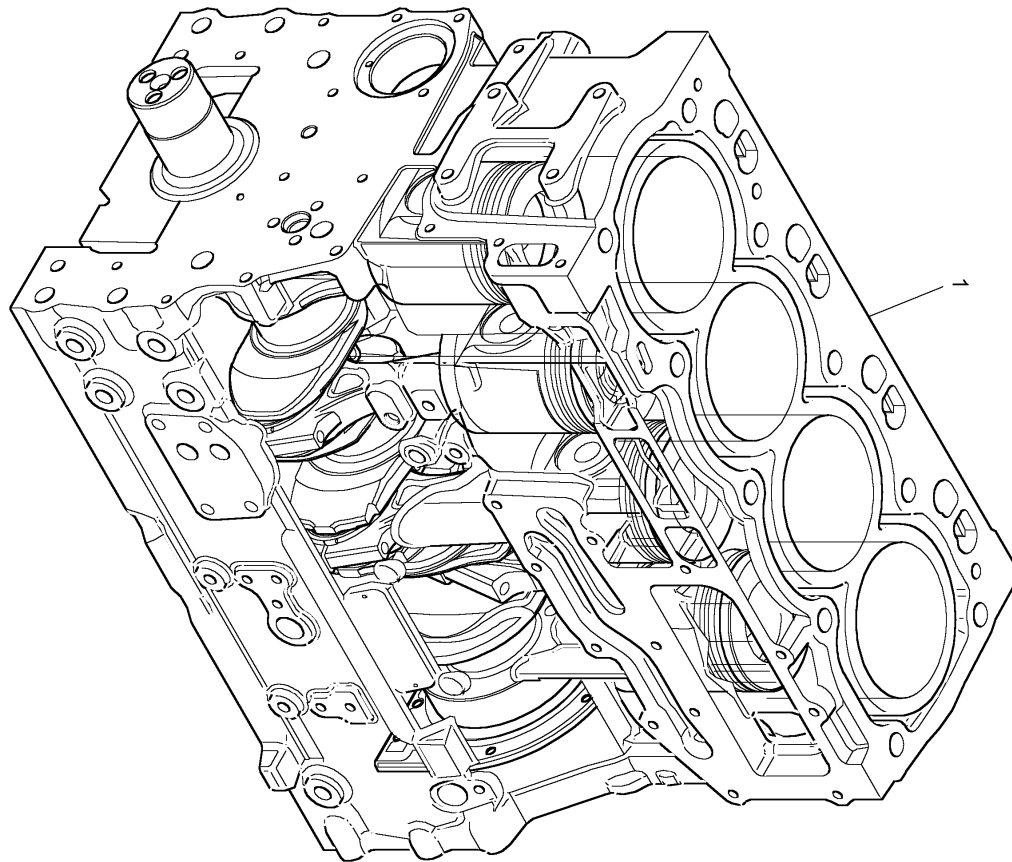
	Item	Parts No.	Qty.	Latest Part No.	Description	Cut Out	Cut In	Comment
	2	ZZ50312	1	ZZ50325	CYLINDER BLOCK ASSEMBLY			
X	(2)	ZZ50312P	1	ZZ50312P	CYLINDER BLOCK ASSEMBLY			
	3	ZZ90222	1	ZZ90239	CRANKSHAFT KIT			
	(3)	ZZ90222R	1	ZZ90222R	EXCHANGE CRANKSHAFT ASSEMBLY			
	(3)	ZZ90222P	1	ZZ90222R	CRANKSHAFT KIT - EXCHANGE			
	4		4		CONROD KIT			
🗨	(4)	4115C315	4	4115C315	CON ROD ASSEMBLY			GRADE K PURPLE
🗨	(4)	4115C314	4	4115C314	CON ROD ASSEMBLY			GRADE J GREEN
🗨	(4)	4115C311	4	4115C311	CON ROD ASSEMBLY			GRADE F RED
🗨	(4)	4115C313	4	4115C313	CON ROD ASSEMBLY			GRADE H WHITE
🗨	(4)	4115C316	4	4115C316	CON ROD ASSEMBLY			GRADE L BLUE
🗨	(4)	4115C312	4	4115C312	CON ROD ASSEMBLY			GRADE G ORANGE
	5	4115P015	4	4115P015	PISTON AND RING KIT			
	(5)	4115P017	4	4115P017	PISTON AND RING KIT - O/S			
	(5)	4115P016	4	4115P016	PISTON AND RING KIT - O/S			
	6	2418F704	1	2418F704	SEAL - REOS HOUSING			
	7	3211C002	10	3211C002	METRIC BOLT			

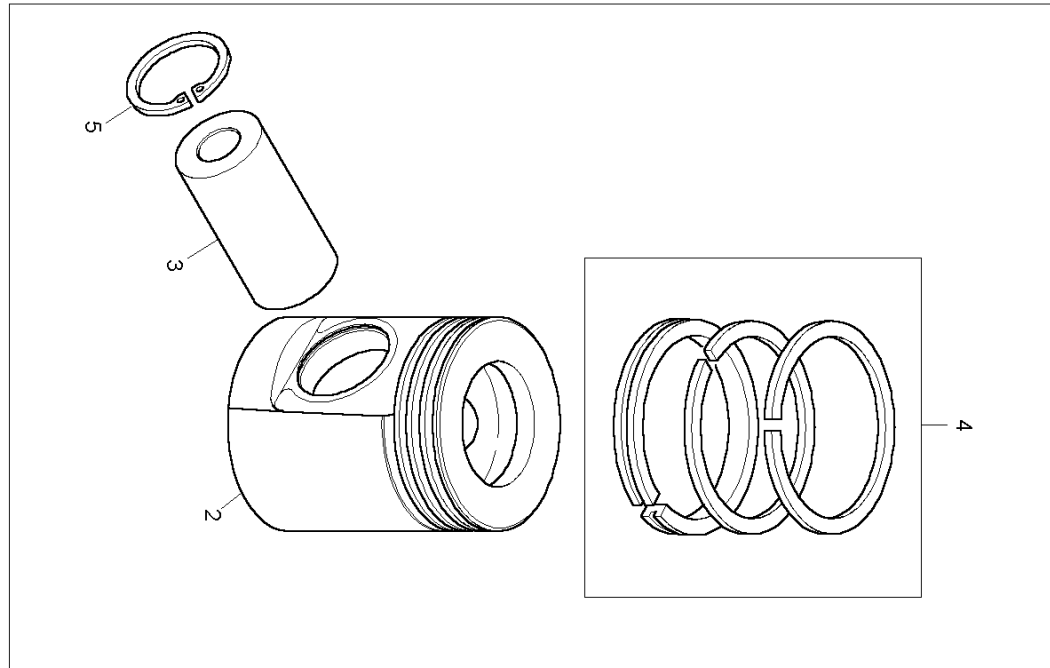


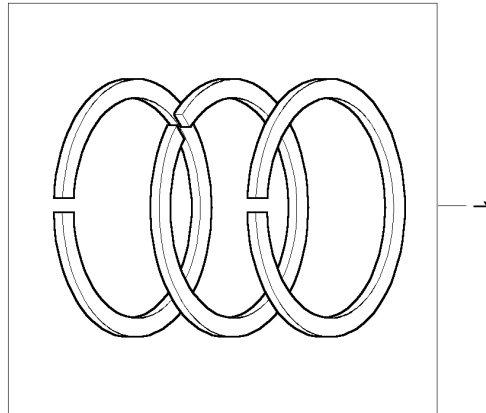


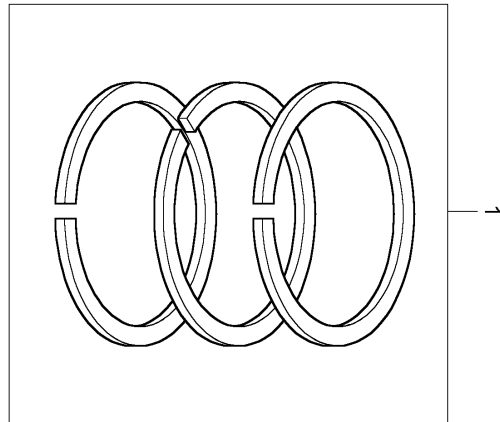


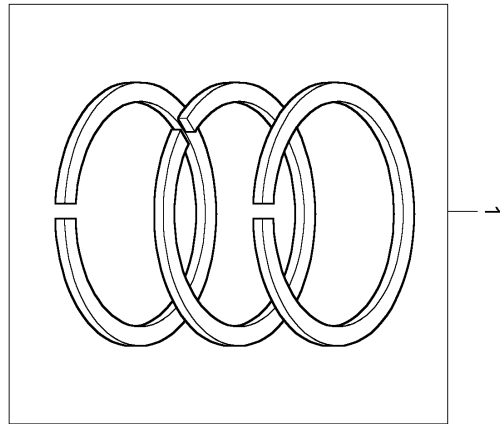


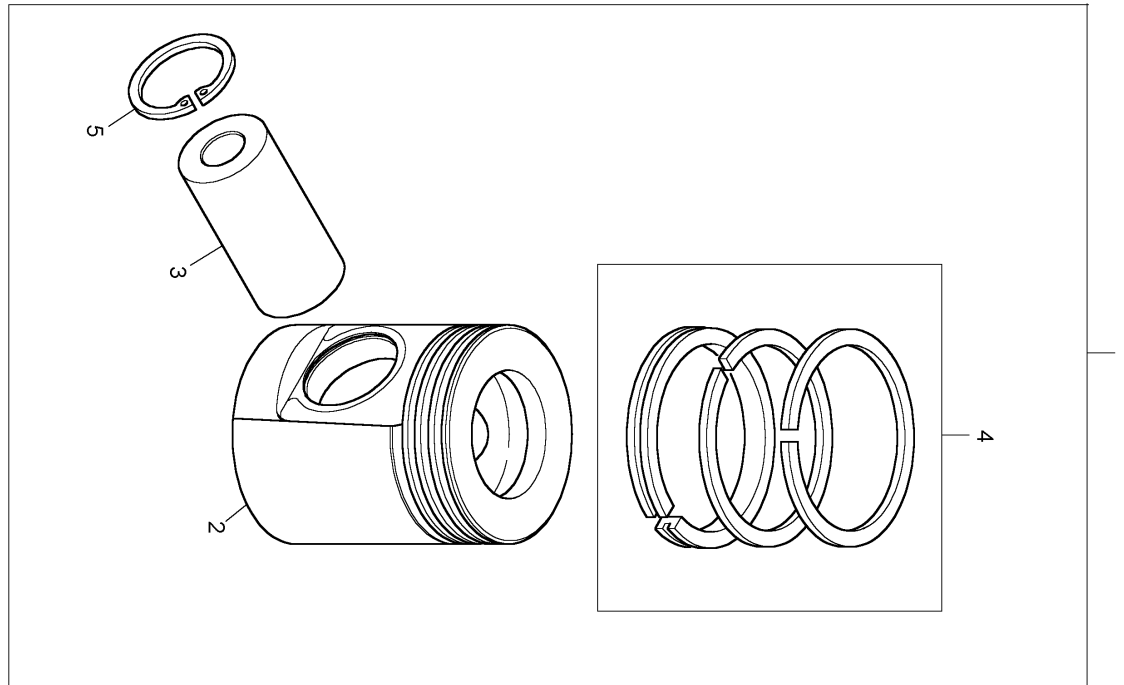


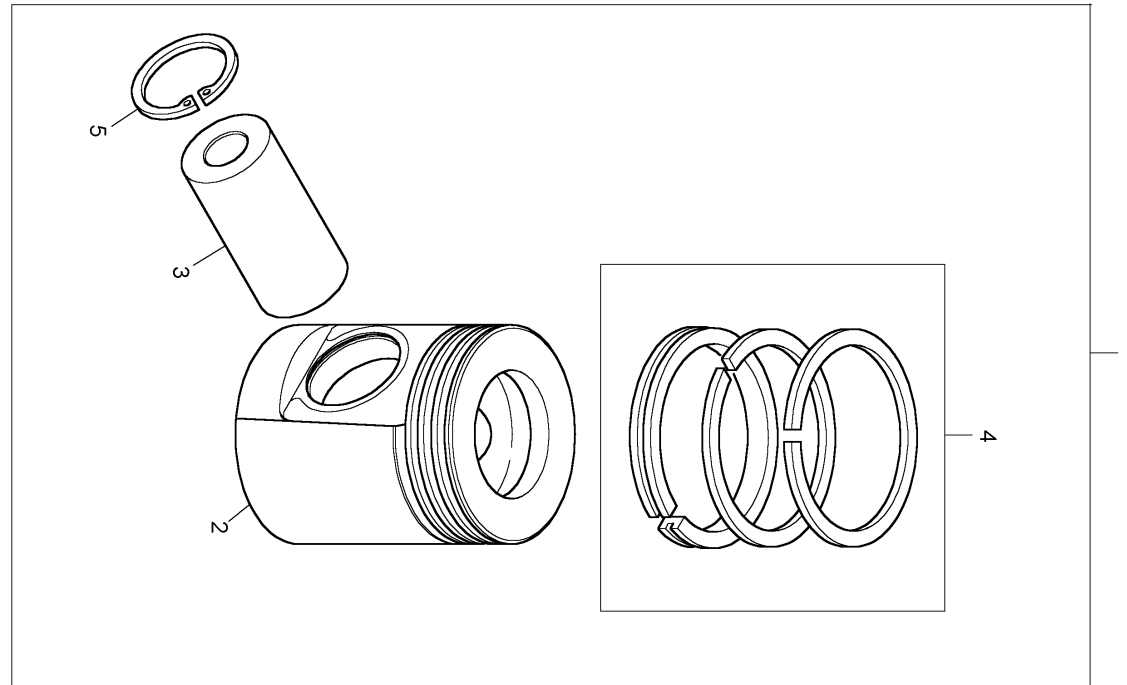


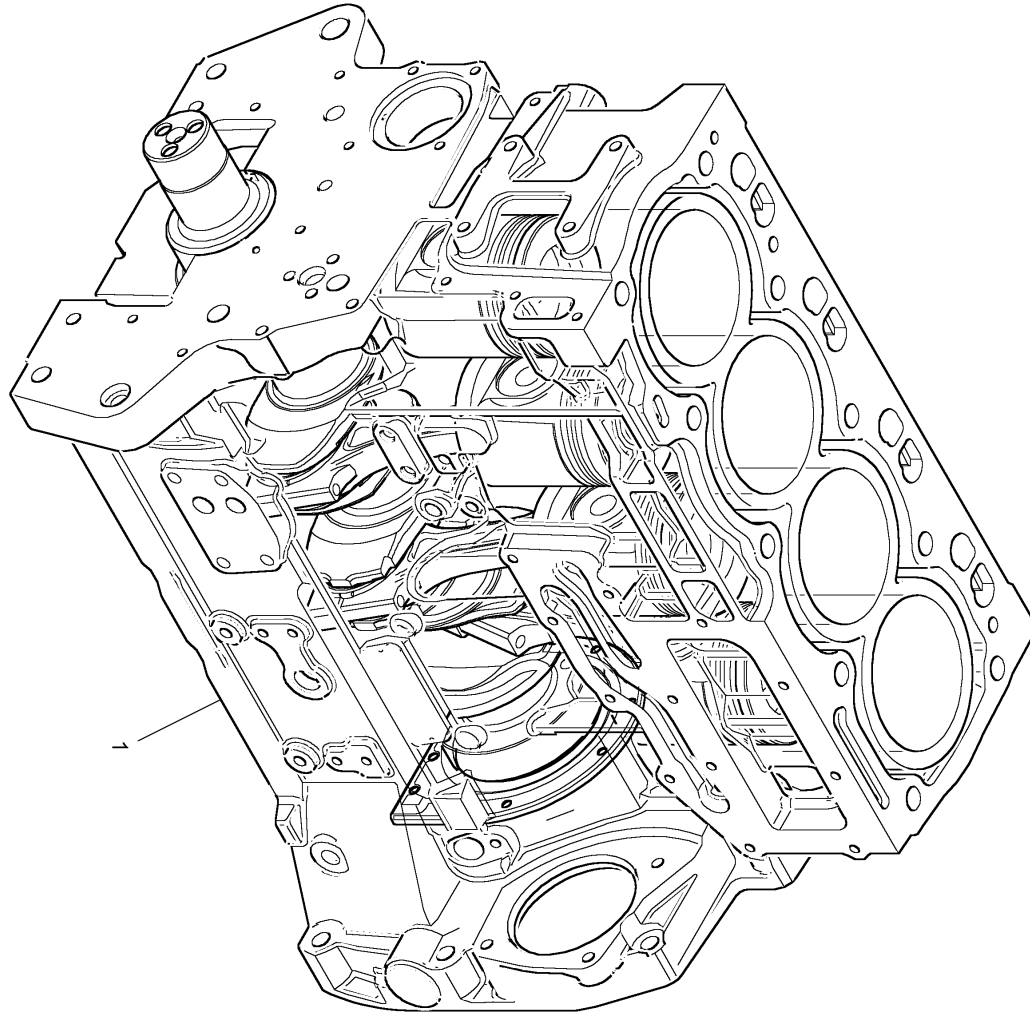


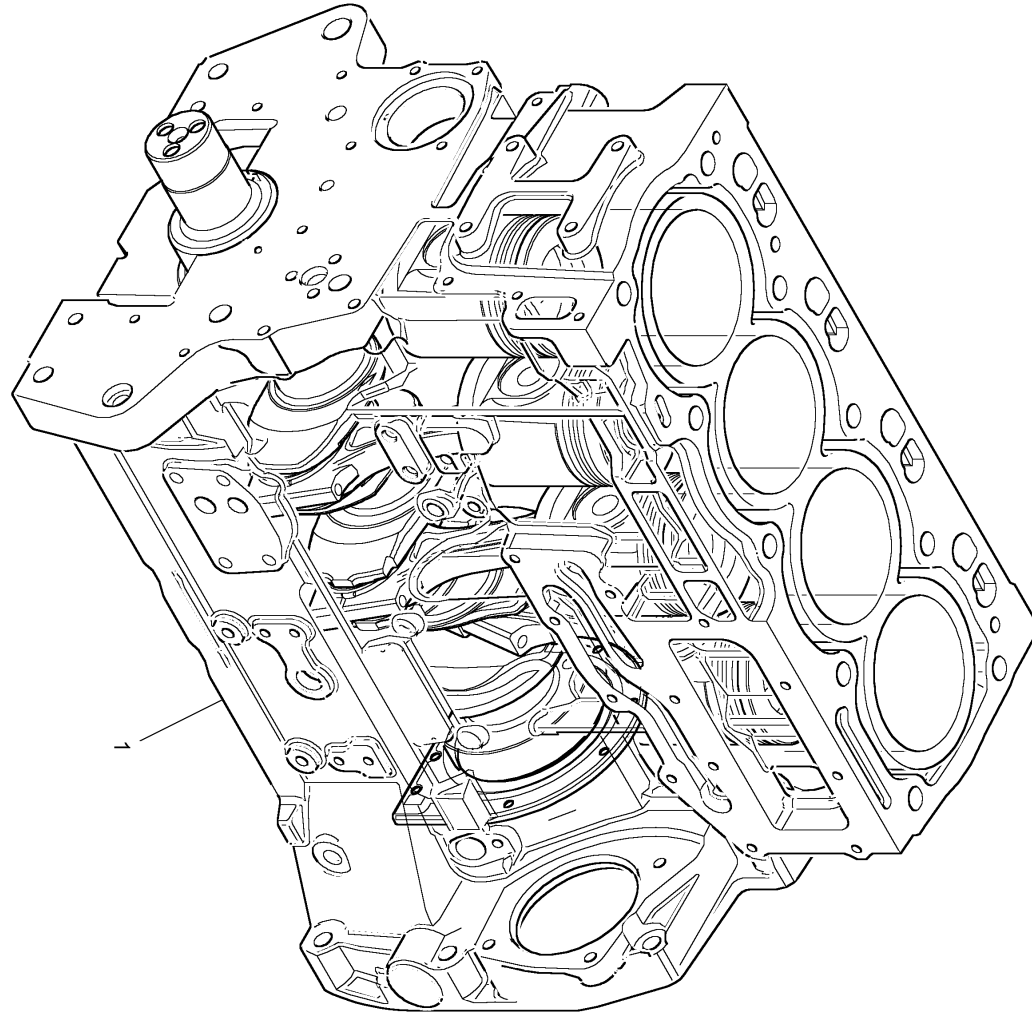


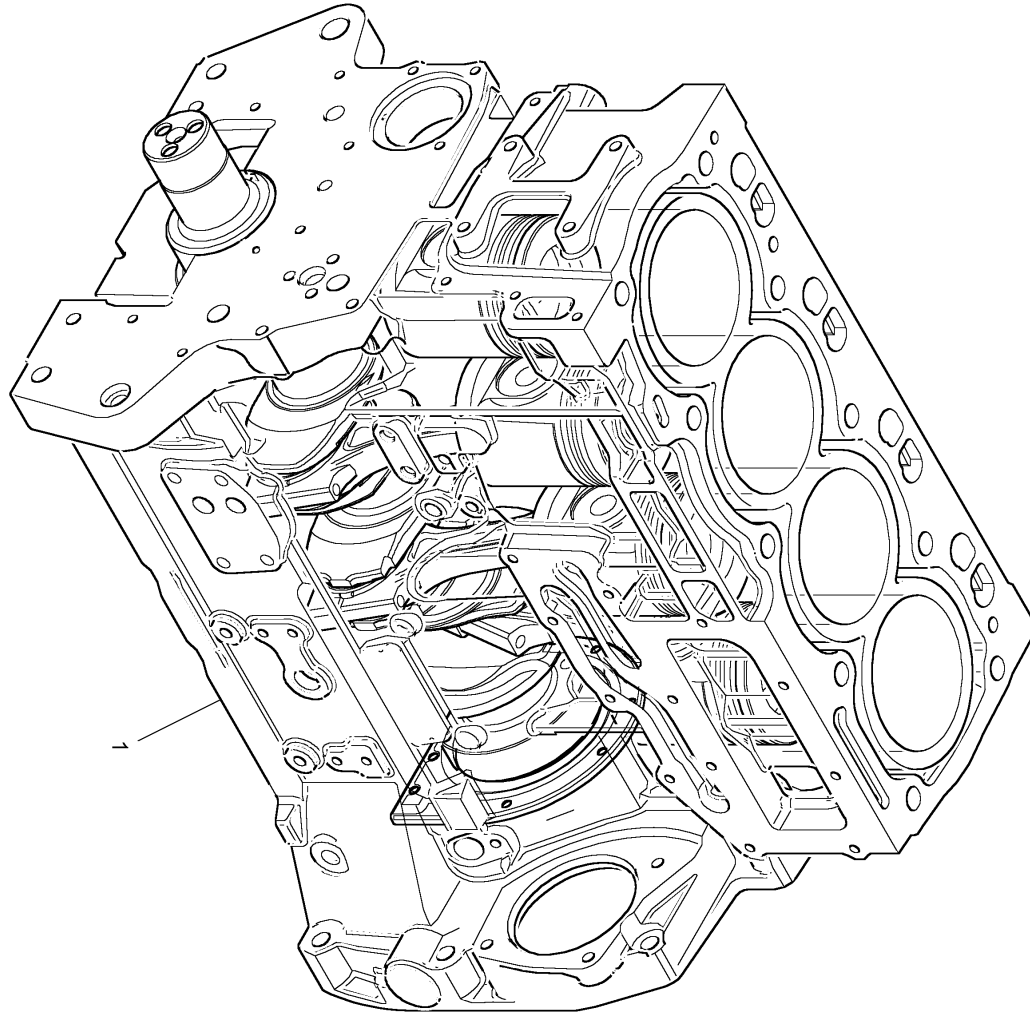


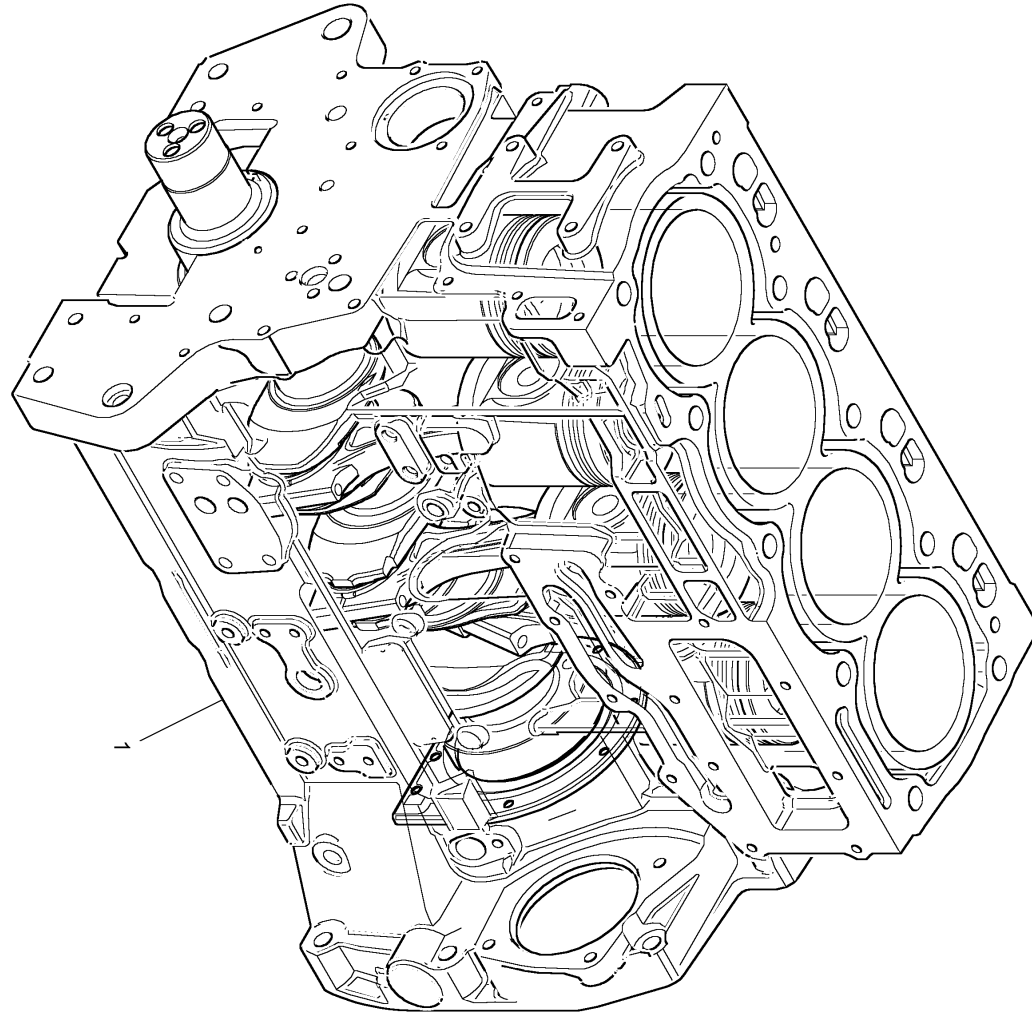


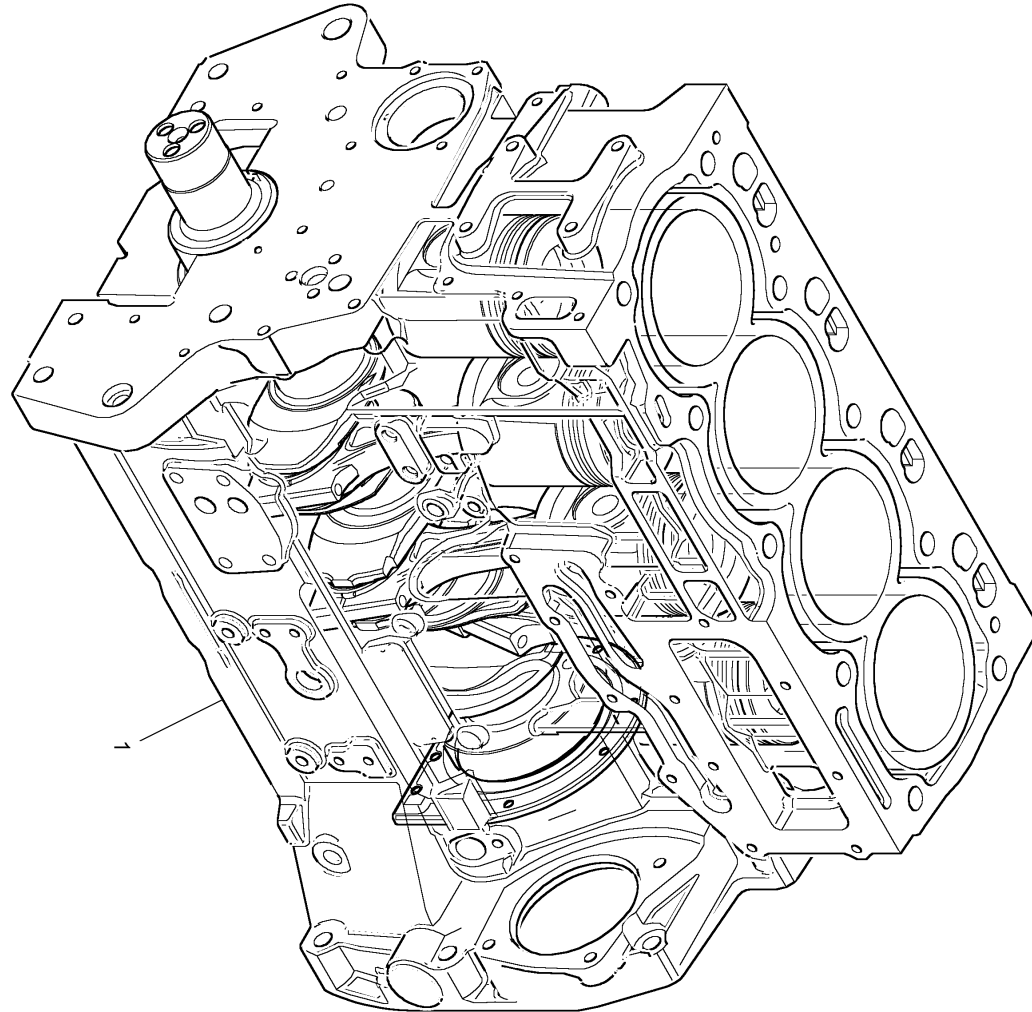


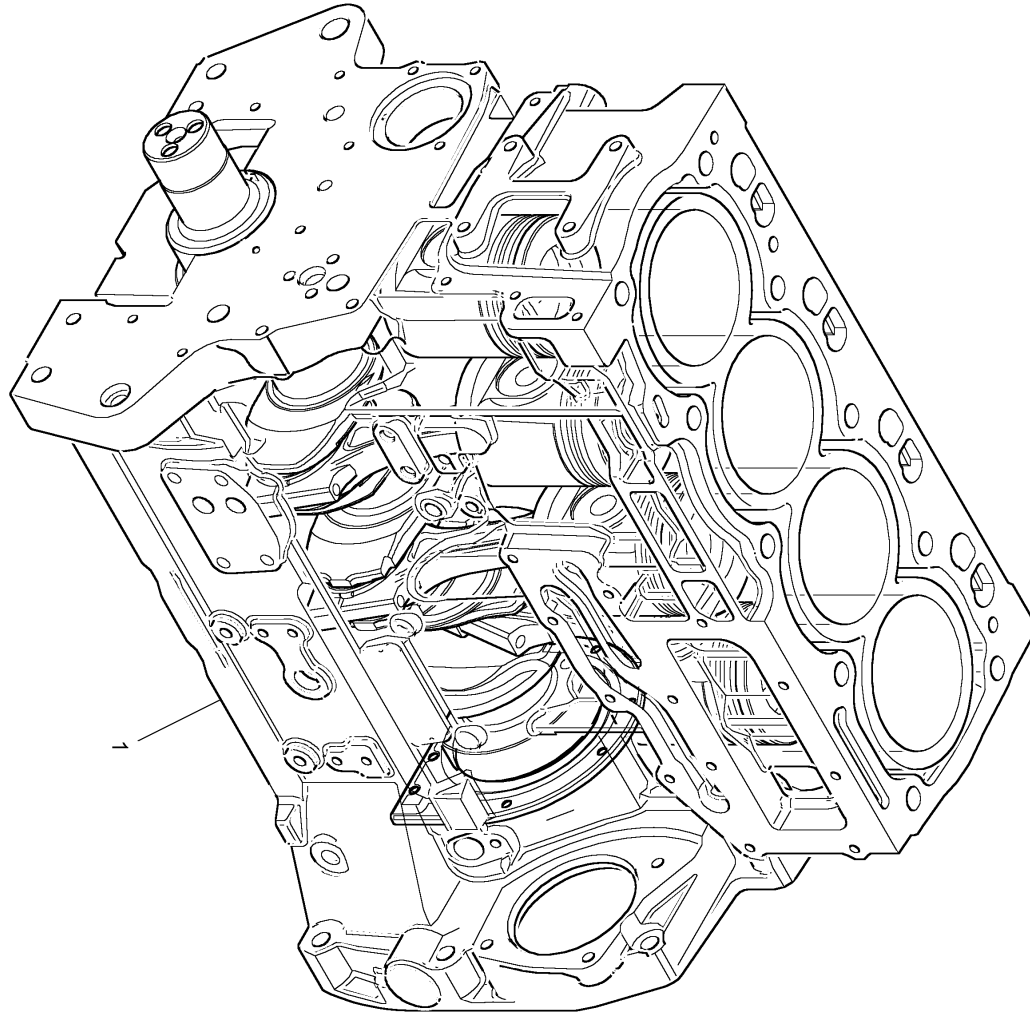


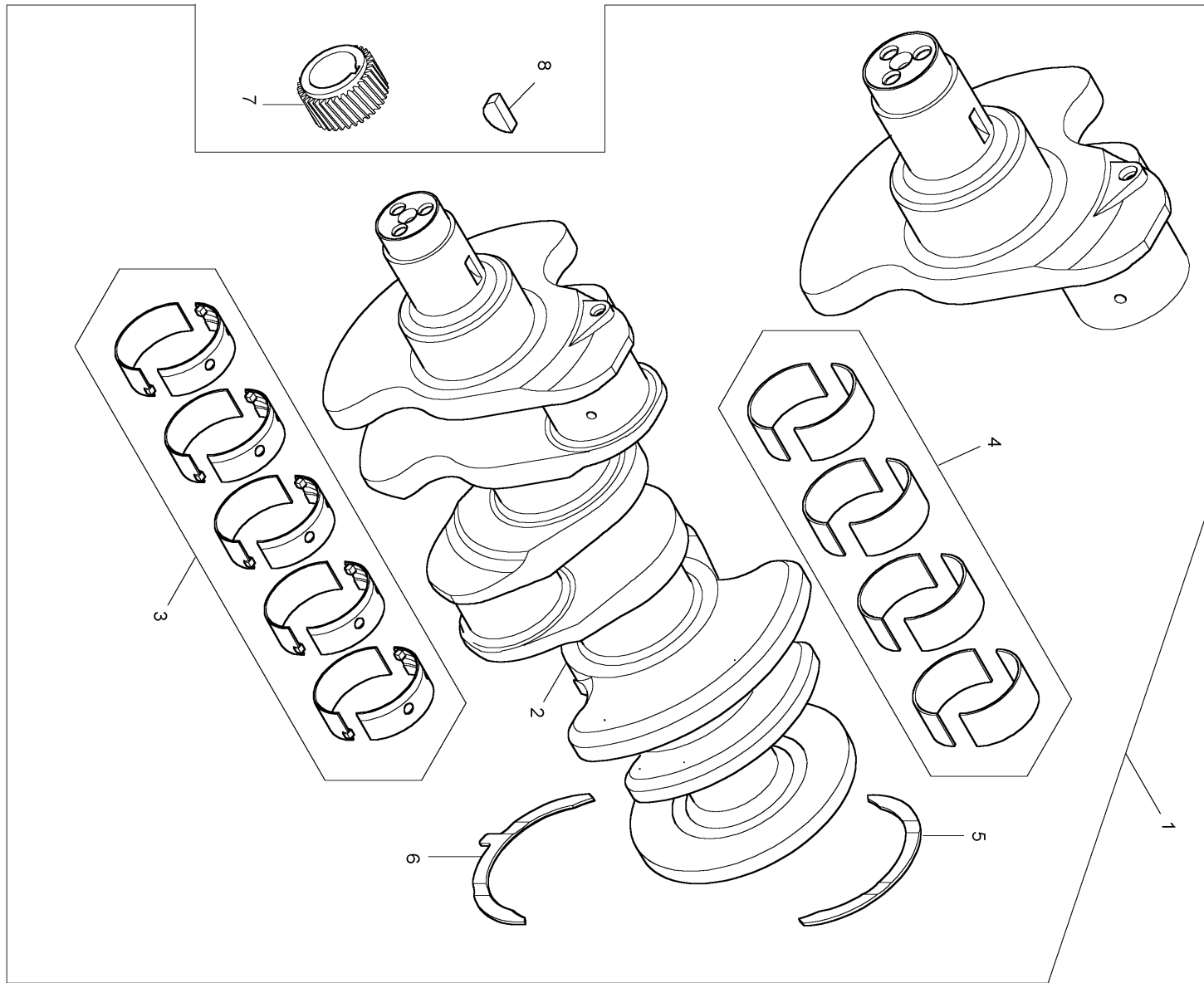


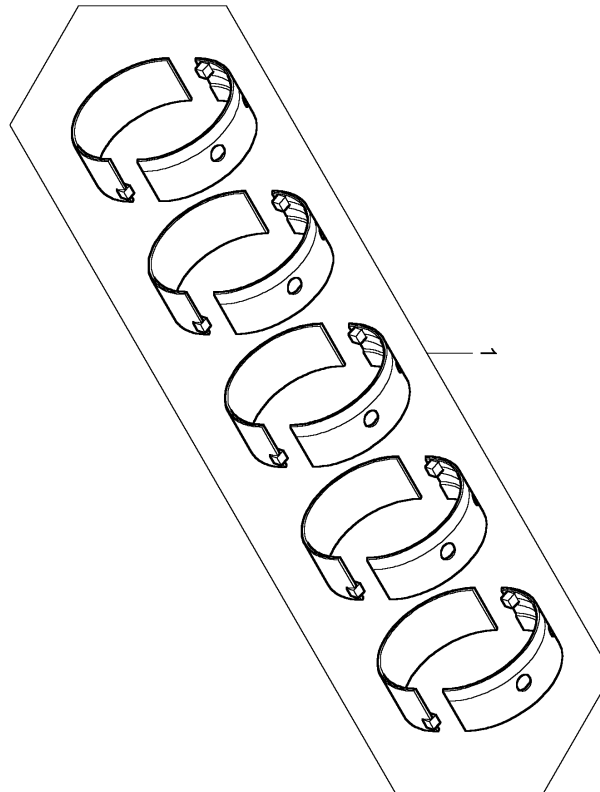


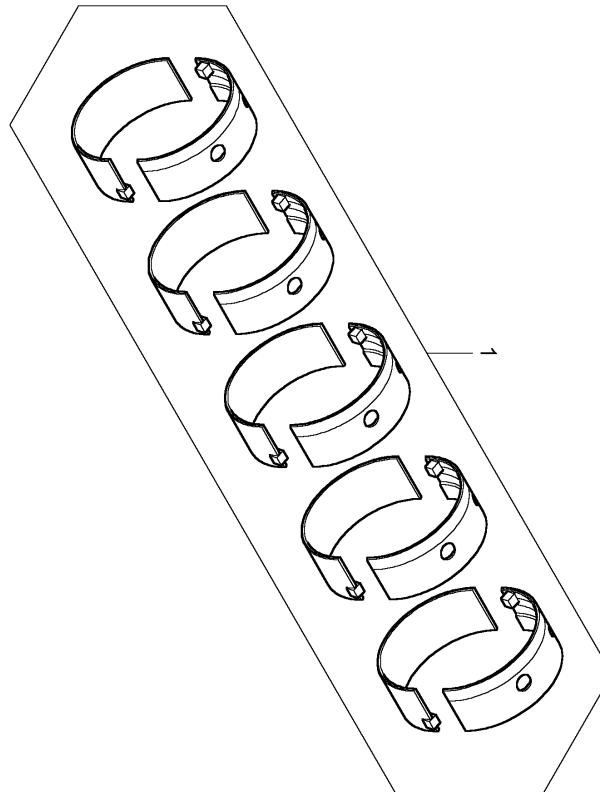








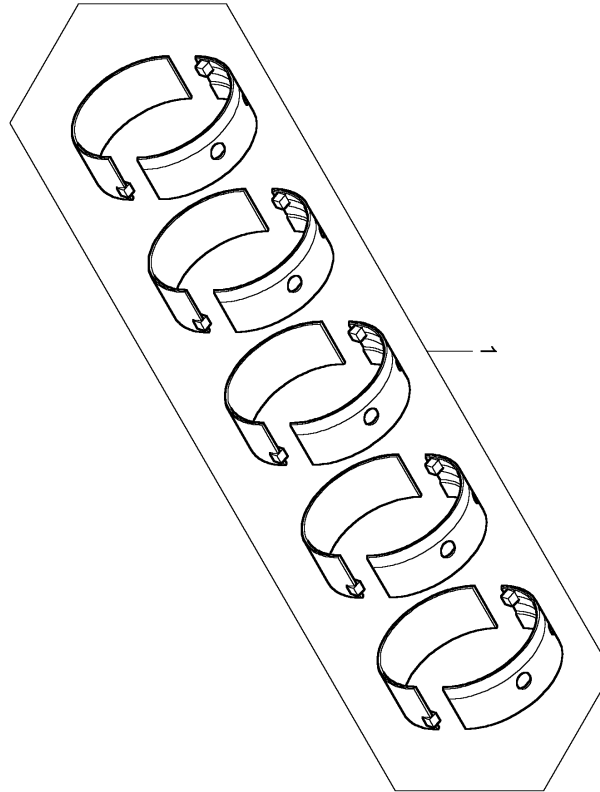


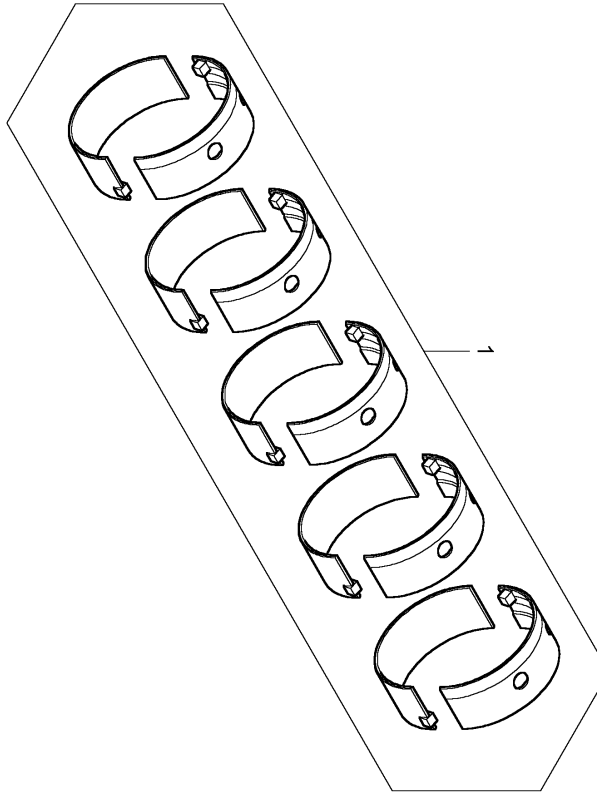


MAIN BEARING KIT - U/S (U5MB0033A)

RG38086

Item	Parts No.	Qty.	Latest Part No.	Description	Cut Out	Cut In	Comment
2	3111V032	5	3111V032	CRANK MAIN BRG - U/S			
3	31126392	5	31126392	CRANK MAIN BRG - U/S			

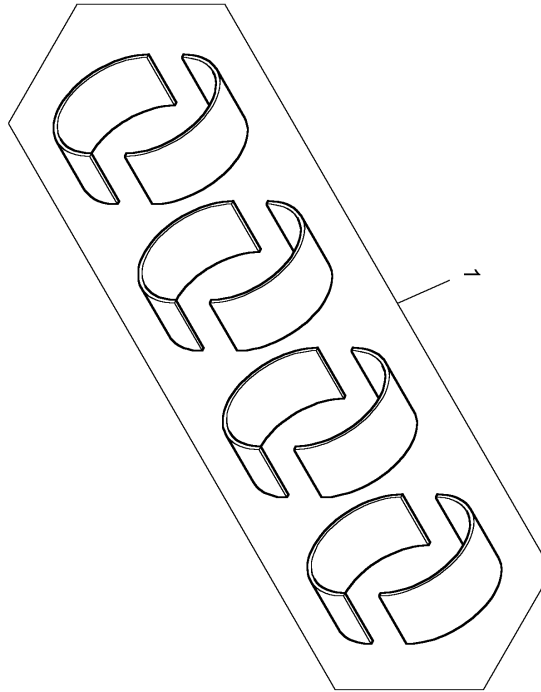


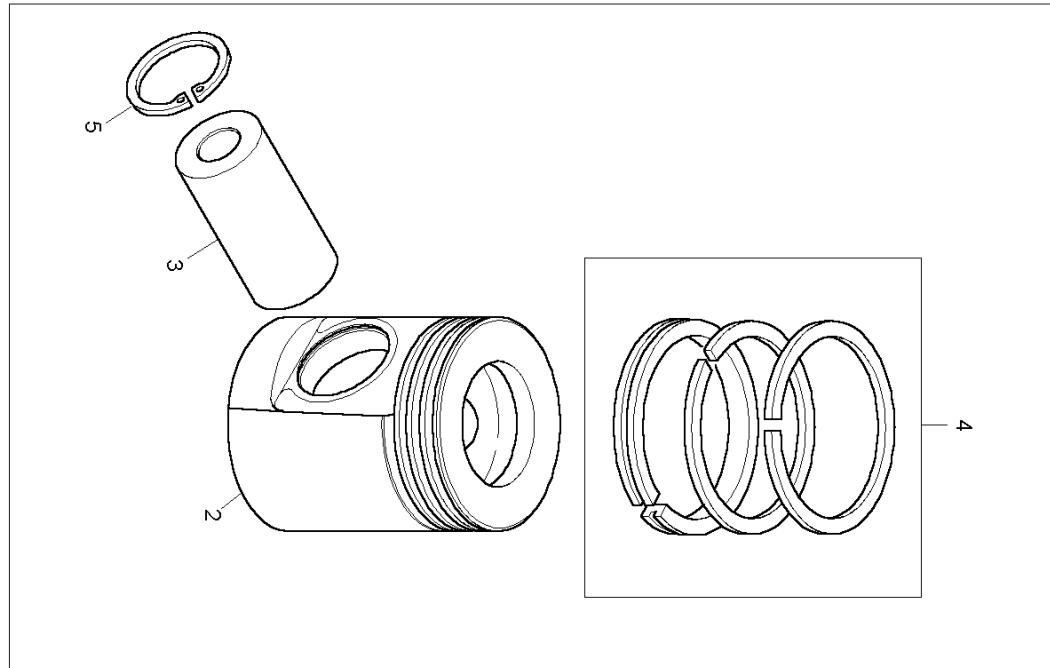


MAIN BEARING KIT - U/S (U5MB0033C)

RG38086

	Item	Parts No.	Qty.	Latest Part No.	Description	Cut Out	Cut In	Comment
	2	3111V034	5	3111V034	CRANK MAIN BRG - U/S			
	3	31126394	5	31126394	CRANK MAIN BRG - U/S			

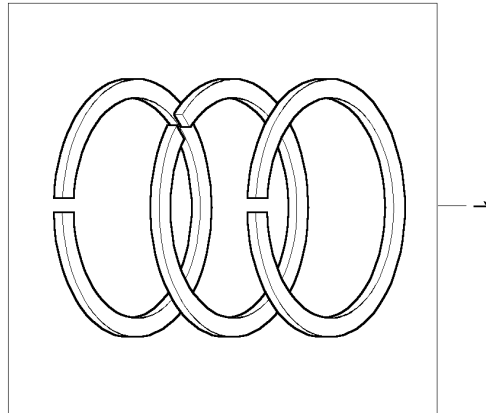




PISTON AND RING KIT (4115P015)

RG38086

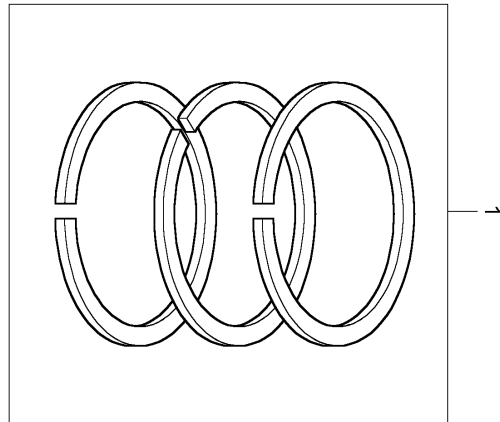
	Item	Parts No.	Qty.	Latest Part No.	Description	Cut Out	Cut In	Comment
	2		1		PISTON			
	3		1		GUDGEON PIN			
	4	UPRK0002	1	UPRK0002	PISTON RING KIT			
	(4)	UPRK0002D	1	UPRK0002D	PISTON RING KIT - OVERSIZE			
	(4)	UPRK0002B	1	UPRK0002B	PISTON RING KIT - OVERSIZE			
	5	2721332	2	2721332	CIRCLIP			



PISTON RING KIT (UPRK0002)

RG38086

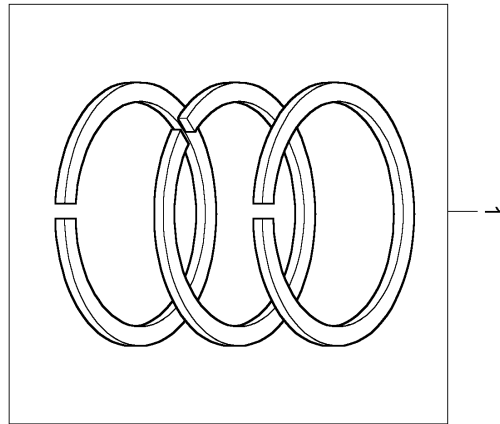
Item	Parts No.	Qty.	Latest Part No.	Description	Cut Out	Cut In	Comment
2		1		PISTON RING			
3		1		PISTON RING			
4		1		PISTON RING			



PISTON RING KIT - OVERSIZE (UPRK0002B)

RG38086

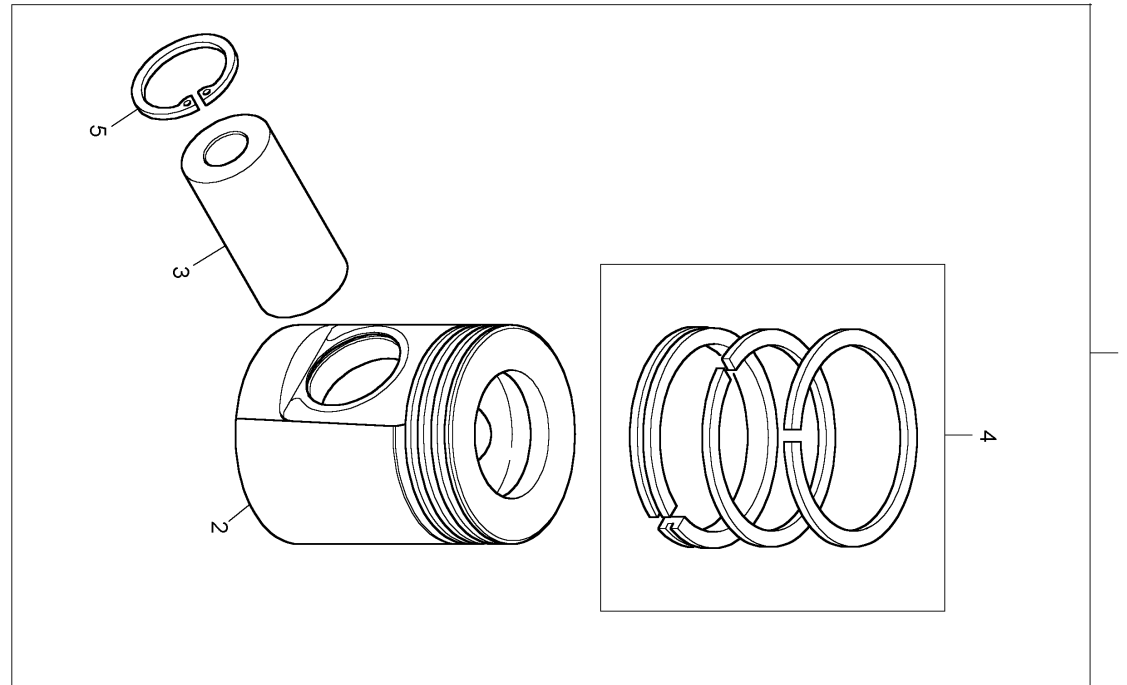
	Item	Parts No.	Qty.	Latest Part No.	Description	Cut Out	Cut In	Comment
	2		1		PISTON RING			
	3		1	Check History	PISTON RING			
	4		1	Check History	PISTON RING			



PISTON RING KIT - OVERSIZE (UPRK0002D)

RG38086

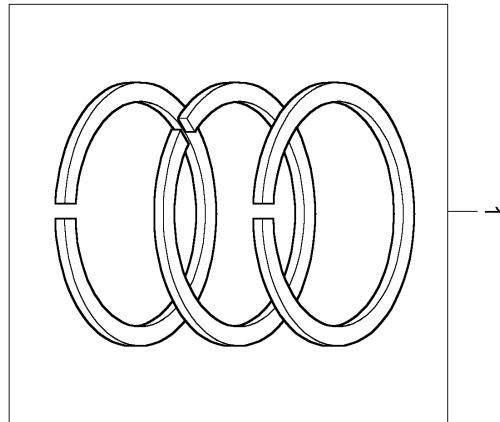
Item	Parts No.	Qty.	Latest Part No.	Description	Cut Out	Cut In	Comment
2		1		PISTON RING			
3		1	Check History	PISTON RING			
4		1	Check History	PISTON RING			

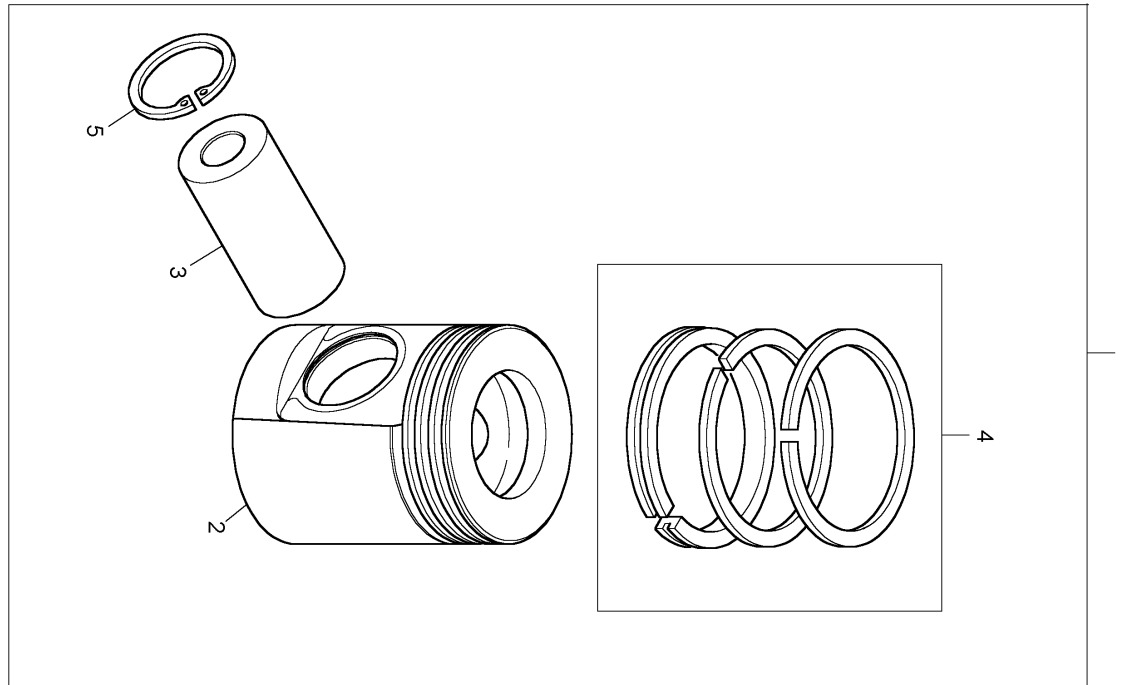


PISTON AND RING KIT - O/S (4115P016)

RG38086

Item	Parts No.	Qty.	Latest Part No.	Description	Cut Out	Cut In	Comment
2		1		PISTON			
3		1		GUDGEON PIN			
4	UPRK0002B	1	UPRK0002B	PISTON RING KIT - OVERSIZE			
5	2721332	2	2721332	CIRCLIP			

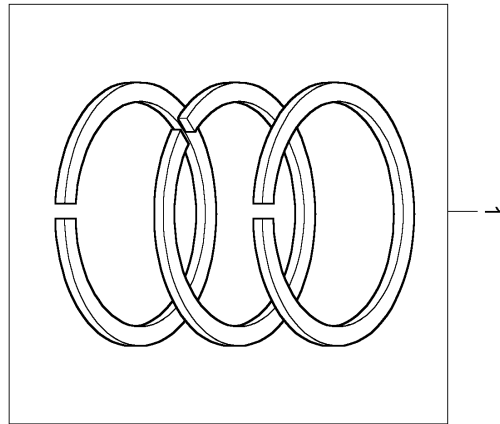




PISTON AND RING KIT - O/S (4115P017)

RG38086

Item	Parts No.	Qty.	Latest Part No.	Description	Cut Out	Cut In	Comment
2		1		PISTON			
3		1		GUDGEON PIN			
4	UPRK0002D	1	UPRK0002D	PISTON RING KIT - OVERSIZE			
5	2721332	2	2721332	CIRCLIP			



PISTON RING KIT - OVERSIZE (UPRK0002D)

RG38086

	Item	Parts No.	Qty.	Latest Part No.	Description	Cut Out	Cut In	Comment
	2		1		PISTON RING			
	3		1	Check History	PISTON RING			
	4		1	Check History	PISTON RING			

ACER3783 (Exchange Long Engine)

RG38086

Plate No.	Description	Cut Out	Cut In	Repairs and Replaces
PPL080849	Exchange Long Engine			

1

Parts kit instruction

21820300

Power Exchange Long Engines

This PKI applies to 1100 Series three, four and six cylinder engines, models DC, DD, DE, DF, DG, DJ, DK, RE, RF, RG, RH, RJ, RK and VK. The Power Exchange Long Engine is supplied with a cylinder head and valve train with a protective cover. The long engine is supplied with the number one piston at top dead centre. This is to allow easier fuel pump assembly and timing. In all applications, the fuel injection gear will need to be transferred to the new long engine.

This long engine is supplied with a slave sump and slave cylinder head cover. The sump, oil suction pipe and cylinder head cover should be transferred from the original engine to the new long engine and the slave components that are supplied should be returned to the core engine. The slave sump and slave cylinder head cover must not be used in service.

A plate on the side of the cylinder block is stamped to indicate the crankshaft and bore size of the long engine. Crankshaft identification is also marked on the first lobe. The following suffixes apply: A = 0.010 undersize, B = 0.020 undersize and C = 0.030 undersize.

The three and four cylinder long engines may be supplied with oversize pistons and rings, the six cylinder engines are supplied with standard size liners, pistons and rings.

The assembled long engine is built to the latest specification and may have improved internal design features when compared to the original engine. To identify components, the long engine number is stamped on the engine serial number plate and must be used when long engine components are ordered.

To ensure that components that are moved from the original engine to the long engine continue to be correctly identified, it is important that the original engine serial number and Temporary Parts Listing (TPL) number are stamped onto the long engine serial number plate when the engine is fully assembled.

Some timing cases do not allow adjustment of the front seal position. If the crankshaft pulley has a groove worn in the spigot, it can be reconditioned with a crankshaft wear sleeve. For 1100 Series engines, use wear sleeve (Perkins part number 21820104). Refer to the Service Manual for the correct procedure to install the wear sleeve.

The contents that are shown on SP12 for these Power Exchange Long Engines are major components only, if you need to check what other part numbers are included please contact the Perkins Parts Helpdesk through your Perkins Distributor by email partshelpdesk@perkins.com.

End

Issued by Perkins Engines Company Limited 2013, Peterborough, England © Proprietary information of Perkins Engines Company Limited 2013, all rights reserved. The information is correct at the time of going to press. This instruction is for technical information only and cannot be used as a basis for a warranty claim.

Exchange Long Engine (PPL080849)

RG38086

	Item	Parts No.	Qty.	Latest Part No.	Description	Cut Out	Cut In	Comment
	1	RGL3783R	1	Check History	ENGINE - EXCHANGE			

ENGINE - EXCHANGE (RGL3783R)

1	21820300
---	-----------------

Parts kit instruction

Power Exchange Long Engines

This PKI applies to 1100 Series three, four and six cylinder engines, models DC, DD, DE, DF, DG, DJ, DK, RE, RF, RG, RH, RJ, RK and VK. The Power Exchange Long Engine is supplied with a cylinder head and valve train with a protective cover. The long engine is supplied with the number one piston at top dead centre. This is to allow easier fuel pump assembly and timing. In all applications, the fuel injection gear will need to be transferred to the new long engine.

This long engine is supplied with a slave sump and slave cylinder head cover. The sump, oil suction pipe and cylinder head cover should be transferred from the original engine to the new long engine and the slave components that are supplied should be returned to the core engine. The slave sump and slave cylinder head cover must not be used in service.

A plate on the side of the cylinder block is stamped to indicate the crankshaft and bore size of the long engine. Crankshaft identification is also marked on the first lobe. The following suffixes apply: A = 0.010 undersize, B = 0.020 undersize and C = 0.030 undersize.

The three and four cylinder long engines may be supplied with oversize pistons and rings, the six cylinder engines are supplied with standard size liners, pistons and rings.

The assembled long engine is built to the latest specification and may have improved internal design features when compared to the original engine. To identify components, the long engine number is stamped on the engine serial number plate and must be used when long engine components are ordered.

To ensure that components that are moved from the original engine to the long engine continue to be correctly identified, it is important that the original engine serial number and Temporary Parts Listing (TPL) number are stamped onto the long engine serial number plate when the engine is fully assembled.

Some timing cases do not allow adjustment of the front seal position. If the crankshaft pulley has a groove worn in the spigot, it can be reconditioned with a crankshaft wear sleeve. For 1100 Series engines, use wear sleeve (Perkins part number 21820104). Refer to the Service Manual for the correct procedure to install the wear sleeve.

The contents that are shown on SP12 for these Power Exchange Long Engines are major components only, if you need to check what other part numbers are included please contact the Perkins Parts Helpdesk through your Perkins Distributor by email partshelpdesk@perkins.com.

End

Issued by Perkins Engines Company Limited 2013, Peterborough, England © Proprietary information of Perkins Engines Company Limited 2013, all rights reserved. The information is correct at the time of going to press. This instruction is for technical information only and cannot be used as a basis for a warranty claim.

ENGINE - EXCHANGE (RGL3783R)

RG38086

Item	Parts No.	Qty.	Latest Part No.	Description	Cut Out	Cut In	Comment
2	RG40001	1	Check History	SHORT ENGINE - ASSEMBLY			
3	ZZ80268	1	ZZ80268	CYLINDER HEAD KIT			

SHORT ENGINE - ASSEMBLY (RG40001)

1	21820300
---	----------

Parts kit instruction

Power Exchange Long Engines

This PKI applies to 1100 Series three, four and six cylinder engines, models DC, DD, DE, DF, DG, DJ, DK, RE, RF, RG, RH, RJ, RK and VK. The Power Exchange Long Engine is supplied with a cylinder head and valve train with a protective cover. The long engine is supplied with the number one piston at top dead centre. This is to allow easier fuel pump assembly and timing. In all applications, the fuel injection gear will need to be transferred to the new long engine.

This long engine is supplied with a slave sump and slave cylinder head cover. The sump, oil suction pipe and cylinder head cover should be transferred from the original engine to the new long engine and the slave components that are supplied should be returned to the core engine. The slave sump and slave cylinder head cover must not be used in service.

A plate on the side of the cylinder block is stamped to indicate the crankshaft and bore size of the long engine. Crankshaft identification is also marked on the first lobe. The following suffixes apply: A = 0.010 undersize, B = 0.020 undersize and C = 0.030 undersize.

The three and four cylinder long engines may be supplied with oversize pistons and rings, the six cylinder engines are supplied with standard size liners, pistons and rings.

The assembled long engine is built to the latest specification and may have improved internal design features when compared to the original engine. To identify components, the long engine number is stamped on the engine serial number plate and must be used when long engine components are ordered.

To ensure that components that are moved from the original engine to the long engine continue to be correctly identified, it is important that the original engine serial number and Temporary Parts Listing (TPL) number are stamped onto the long engine serial number plate when the engine is fully assembled.

Some timing cases do not allow adjustment of the front seal position. If the crankshaft pulley has a groove worn in the spigot, it can be reconditioned with a crankshaft wear sleeve. For 1100 Series engines, use wear sleeve (Perkins part number 21820104). Refer to the Service Manual for the correct procedure to install the wear sleeve.

The contents that are shown on SP12 for these Power Exchange Long Engines are major components only, if you need to check what other part numbers are included please contact the Perkins Parts Helpdesk through your Perkins Distributor by email partshelpdesk@perkins.com.

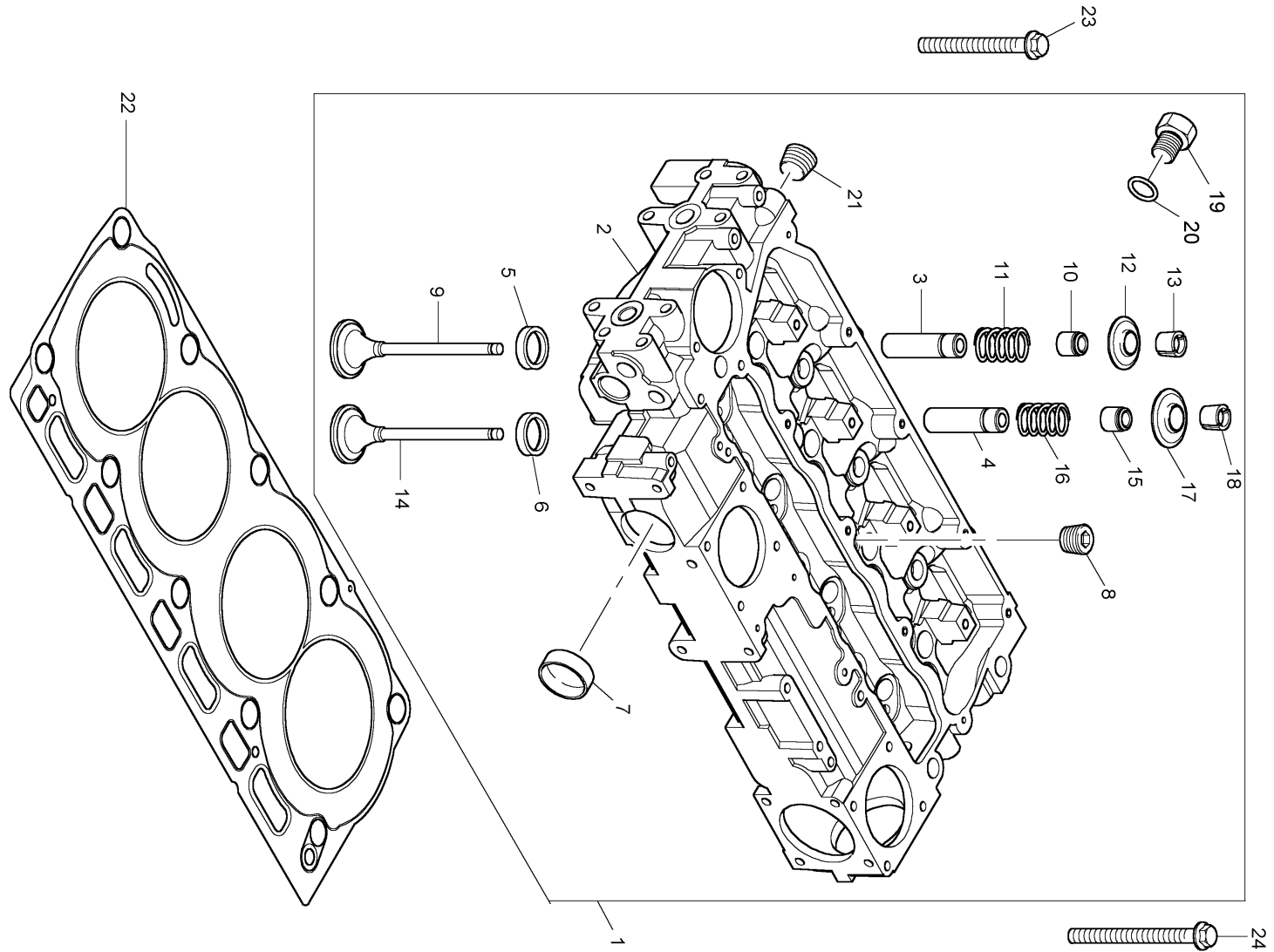
End

Issued by Perkins Engines Company Limited 2013, Peterborough, England © Proprietary information of Perkins Engines Company Limited 2013, all rights reserved. The information is correct at the time of going to press. This instruction is for technical information only and cannot be used as a basis for a warranty claim.

SHORT ENGINE - ASSEMBLY (RG40001)

RG38086

	Item	Parts No.	Qty.	Latest Part No.	Description	Cut Out	Cut In	Comment
	3	3112D075	1	3112D075	CAMSHAFT BUSH			



CYLINDER HEAD KIT (ZZ80268)

RG38086

	Item	Parts No.	Qty.	Latest Part No.	Description	Cut Out	Cut In	Comment
	2		1		CYLINDER HEAD			
	3	3313A012	4	3313A012	VALVE GUIDE			
	4	3313A012	4	3313A012	VALVE GUIDE			
	5	3314A241	4	3314A241	VALVE SEAT INSERT			
	6	3314A231	4	3314A231	VALVE SEAT INSERT			
	7	32416117	2	32416117	PLUG			
	8	0650588	4	0650588	PLUG			
	9	3142H071	4	3142H071	INTAKE VALVE			
ⓘ	10	2418M519	4	2418M519	SEAL - VALVE STEM			
	11	T417883	4	T417883	VALVE SPRING			
	12	3342A011	4	3342A011	CAP			
	13	3142W004	8	3142W004	VALVE COLLET			
	14	3142A151	4	3142A151	EXHAUST VALVE			
ⓘ	15	2418M517	4	2418M517	SEAL - VALVE STEM			
	16	T417883	4	T417883	VALVE SPRING			
	17	3342A011	4	3342A011	CAP			
	18	3142W004	8	3142W004	VALVE COLLET			
	19	3278A006	1	3278A006	PLUG			
	20	2415H003	1	2415H003	SEAL - O RING			
	21	2431154	1	2431154	PLUG			



Technical Library

<http://engine.od.ua>