



Customized
Spare Parts Catalog

Prepared Specifically for

103.10 MARINE ENGINE (M30 PERAMA / 100 SERIES)

Parts list number KD30244

Use bookmarks for navigation inside the Parts Catalogue

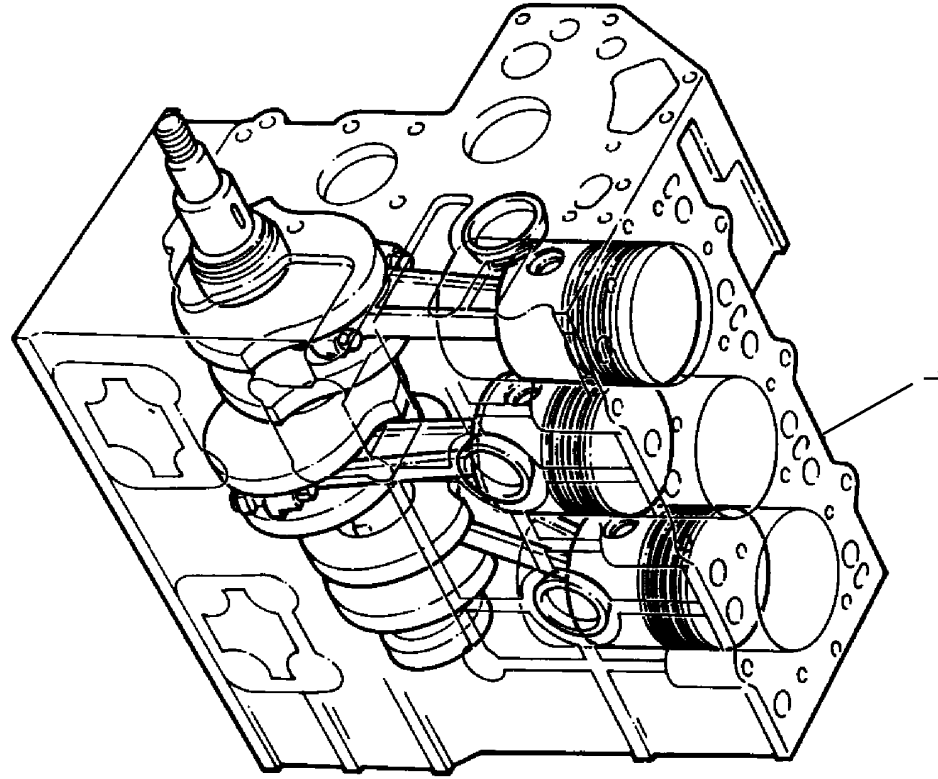
KD30244 (MARINE M30 PERAMA)

Pack No.	Description	Cut Out	Cut In	Repairs and Replaces
ACEK6350	Short Engine			
ACHK0020	Core Unit			
AFHK2094	Fuel Injection Equipment			
BDHK0479	PTO Clutch & Gearbox			
CDHK0757	Flywheel Housing			
DDHK0822	Flywheel & Ring			
EDHK0615	Starter Motor			
GBHK1402	Lubricating Oil Sump			
HBHK1401	Lubricating Oil Filler & Breather			
JBHK1029	Lubricating Oil Filter & Integral Oil Cooler			
KBHK0579	Front End Drive Input			
LBHK1390	Water Pump & Thermostat			
NDHK1764	Alternator & Generator			
QBHK0138	Gear Driven Sea Water Pump			
QDHK0930	Gear Drive Auxiliary Drive Option			
SGBK0010	Joints & Gaskets - Bottom Service Kit			
TBHK0557	Induction Manifold & Air Charge Cooler			
U5MK8265.	Core Unit			
UDHK0398	Exhaust Outlet Flange			
VBHK1398	Low Pressure Fuel System			
WDHK0192	Cold Start System			
XBHK0308	Engine Lifting Eyes			
ZAHK0520	Throttle & Stop Controls			
ZCHK0826	Mountings			
ZJHK0404	Lubricating Oil Pressure Switch / Gauge			
ZMHK0255	Radiator & Cowling			
ZNHK0154	Instrumentation Assembly			
ZQHK0523	Tachometer & Hour Recorder			
ZZHK0422	Applications Miscellaneous & Auxiliaries			
ZZUK0100	Miscellaneous			

ACEK6350 (Short Engine)

Plate No.	Description	Cut Out	Cut In	Repairs and Replaces
9105K003ACEK6350	Short Engine			

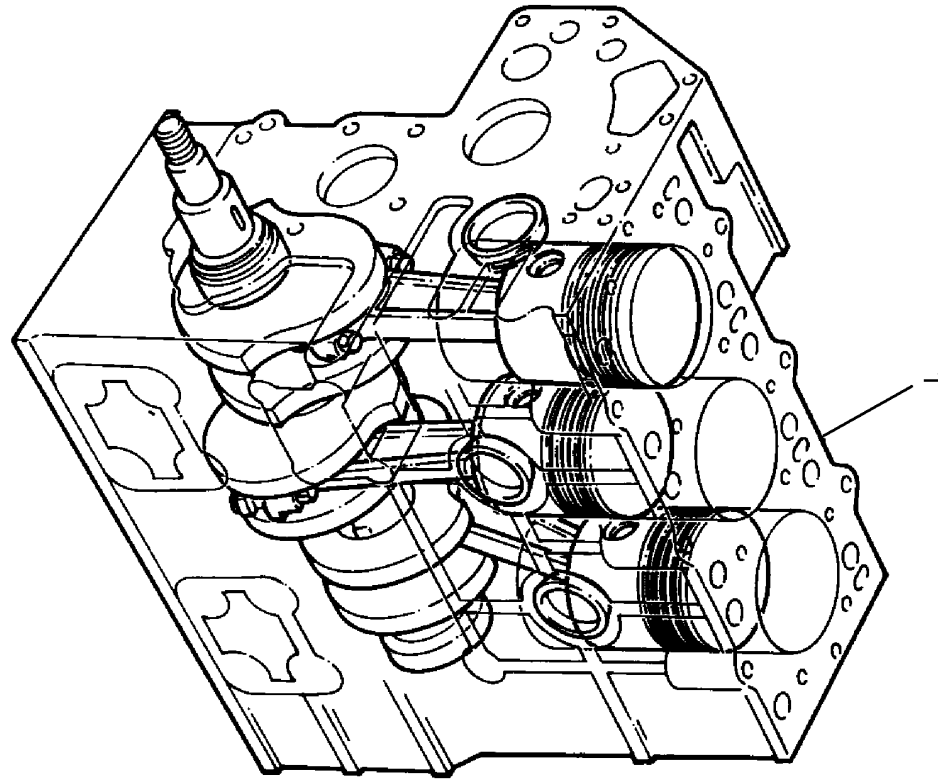
Short Engine (9105K003ACEK6350)



Short Engine (9105K003ACEK6350)

	Item	Parts No.	Qty .	Latest Part No.	Description	Cut Out	Cut In	Comment
	1	110006350	1	110006350	SHORT ENGINE - ASSEMBLY			

SHORT ENGINE - ASSEMBLY (110006350)



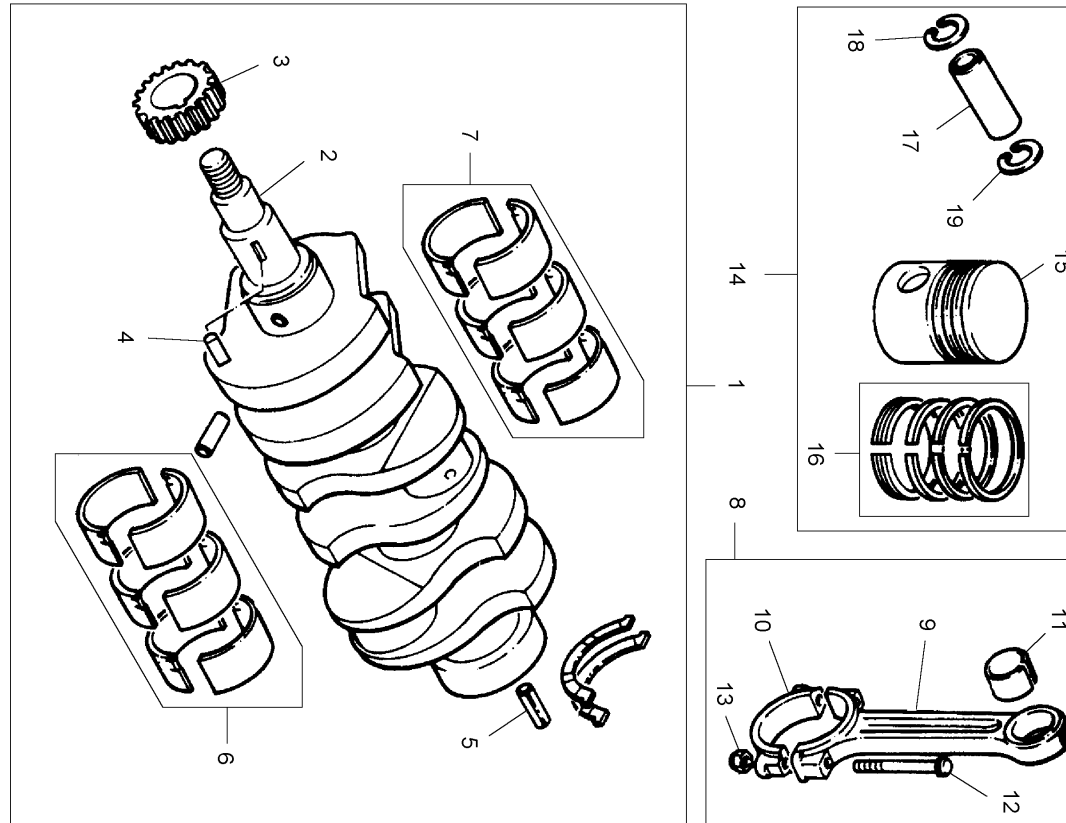
SHORT ENGINE - ASSEMBLY (110006350)

	Item	Parts No.	Qty	Latest Part No.	Description	Cut Out	Cut In	Comment
	2		1		CYLINDER BLOCK			
	2		1		CRANKSHAFT			
	2		3		PISTON			
	2		3		PISTON RING			
	2		3		CONROD			
	2		6		MAIN BEARING			
	2		6		BIG END BEARING			
	2		2		THRUST WASHER			

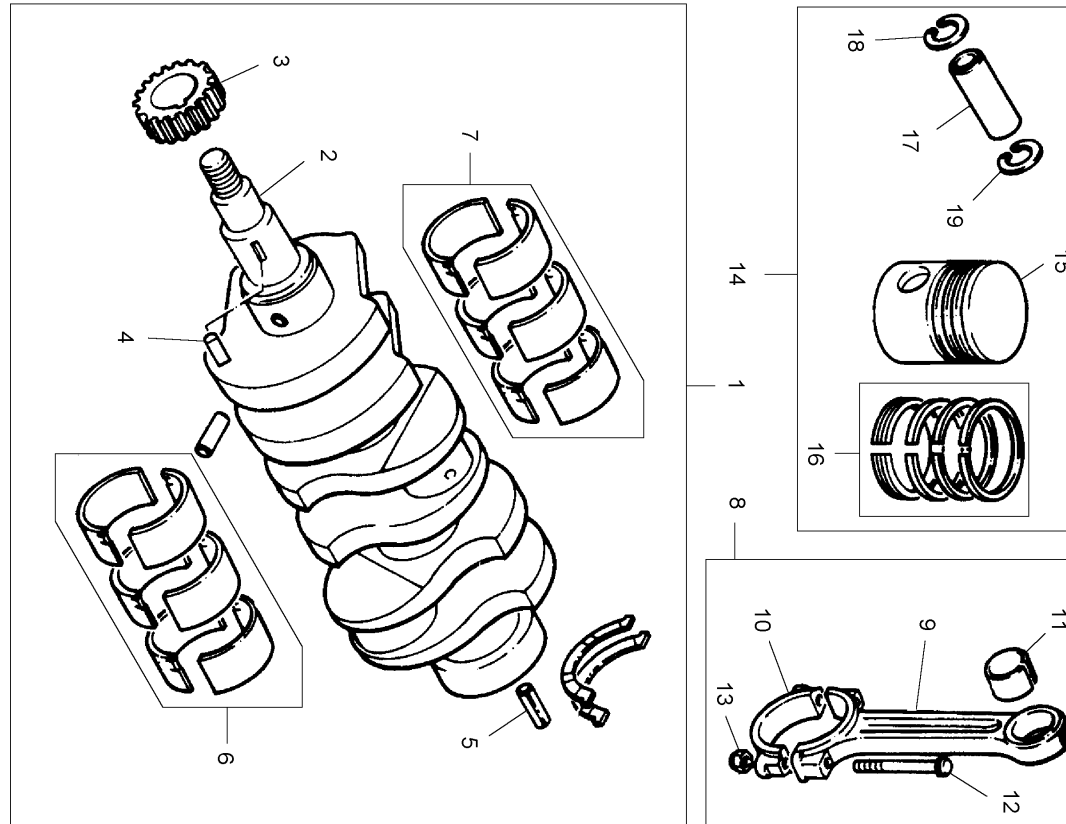
ACHK0020 (Core Unit)

Plate No.	Description	Cut Out	Cut In	Repairs and Replaces
PPL092267	Crankshaft, Pistons & Connecting Rods		U150873J	
PPL092249	Crankshaft, Pistons & Connecting Rods	U150872J	U150873J	
9111K003ACHK0020	Cylinder Block			
9126K002ACHK0020	Cylinder Head			
PPL083092	Lubricating Oil Pump & Delivery Housing			
9131K002ACHK0020	Rocker Shaft			
9137K002ACHK0020	Timing Gear & Camshaft			
9136K002ACHK0020	Timing Gear & Camshaft			

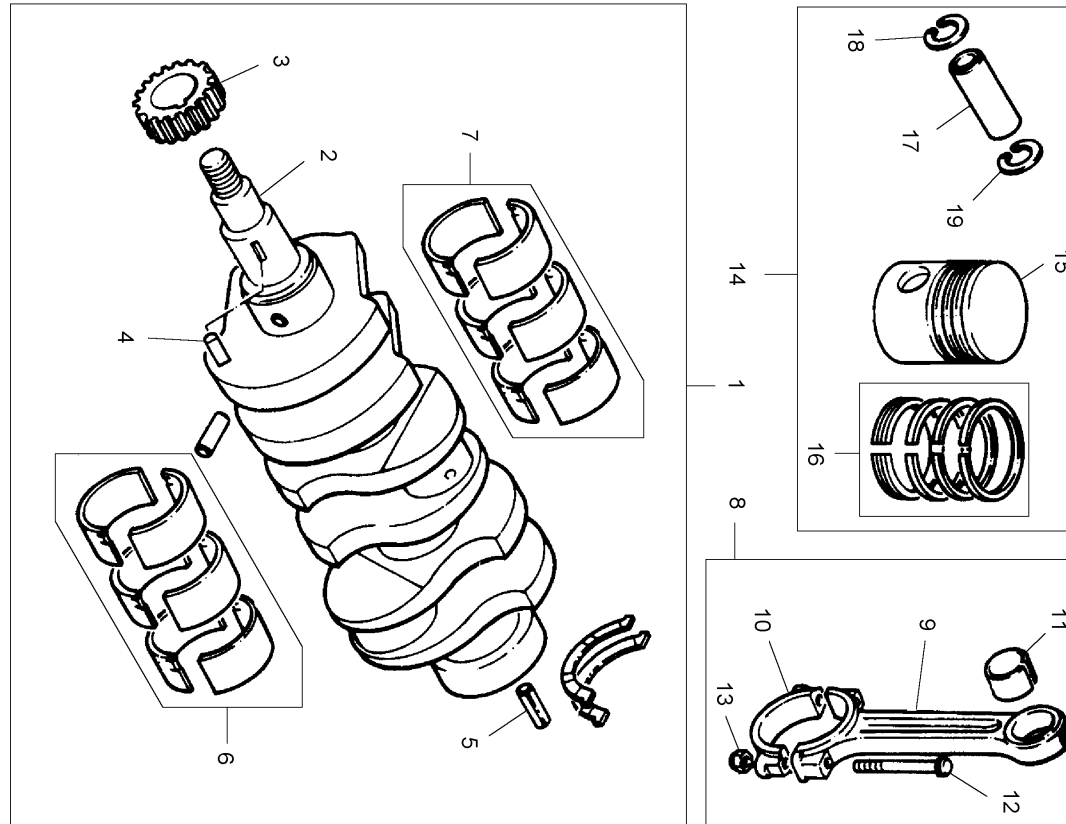
Crankshaft, Pistons & Connecting Rods (PPL092249)



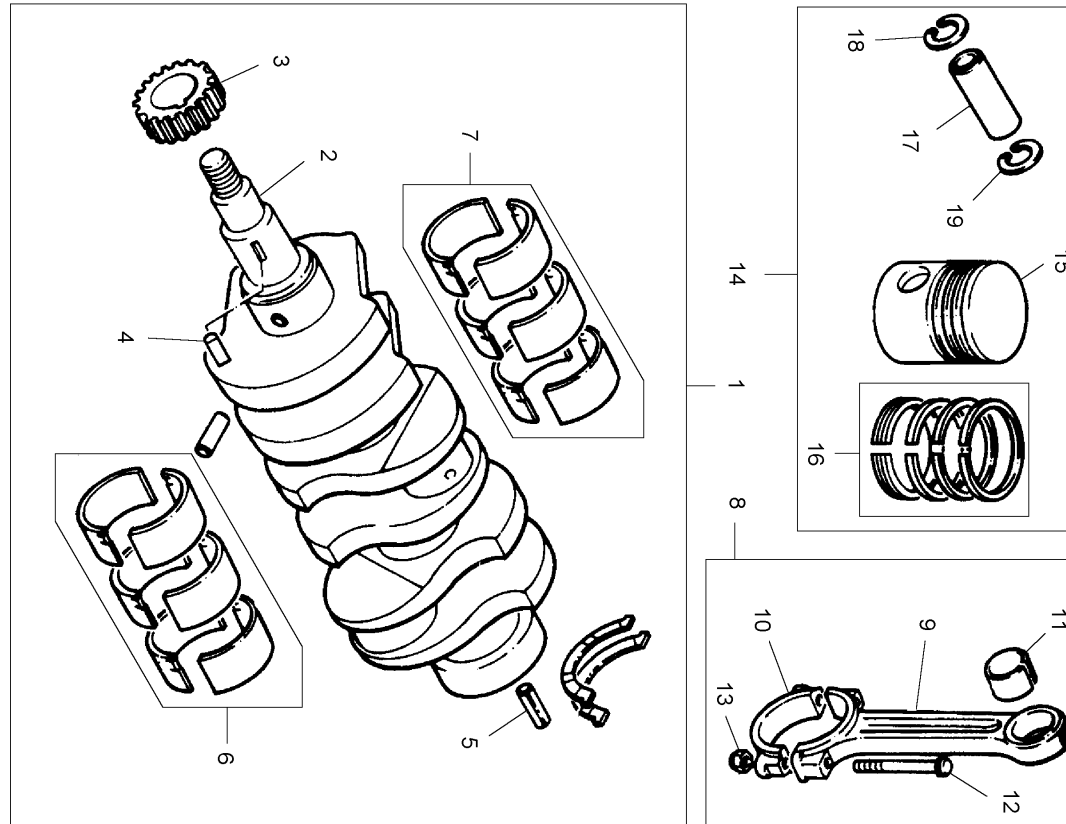
CRANKSHAFT KIT (115236010)



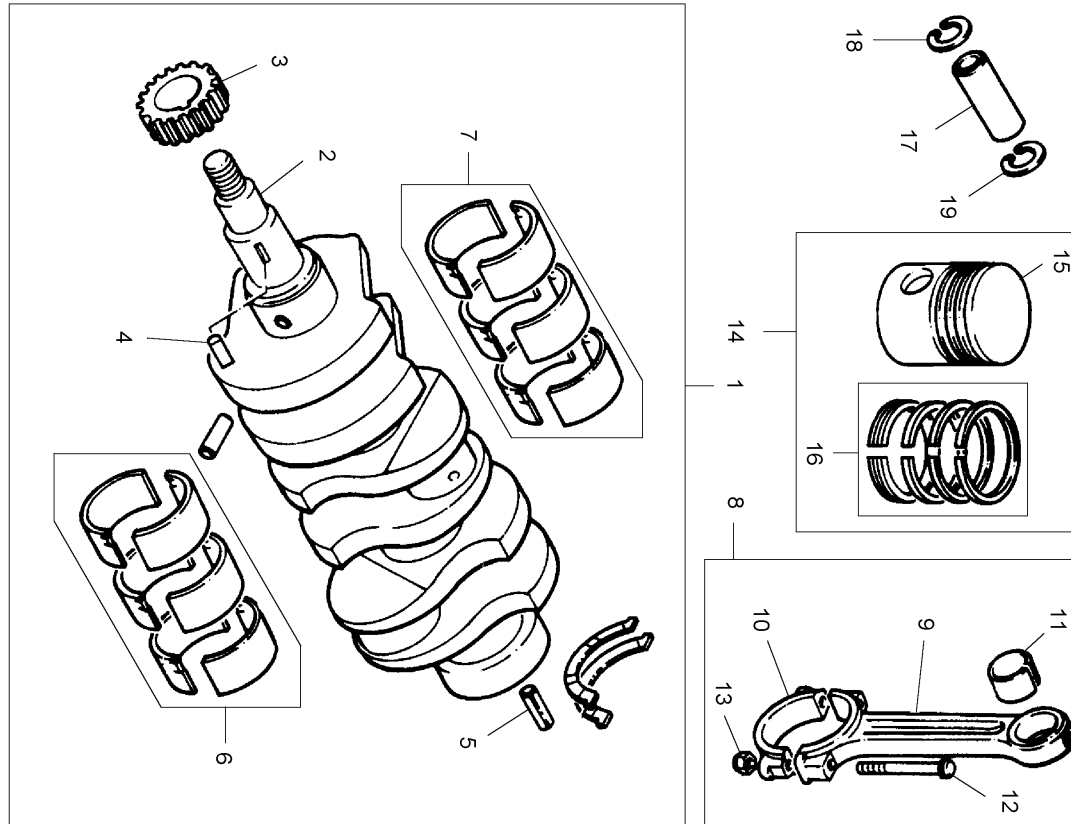
CON ROD ASSEMBLY (115026191)



PISTON AND RING KIT (115017170)



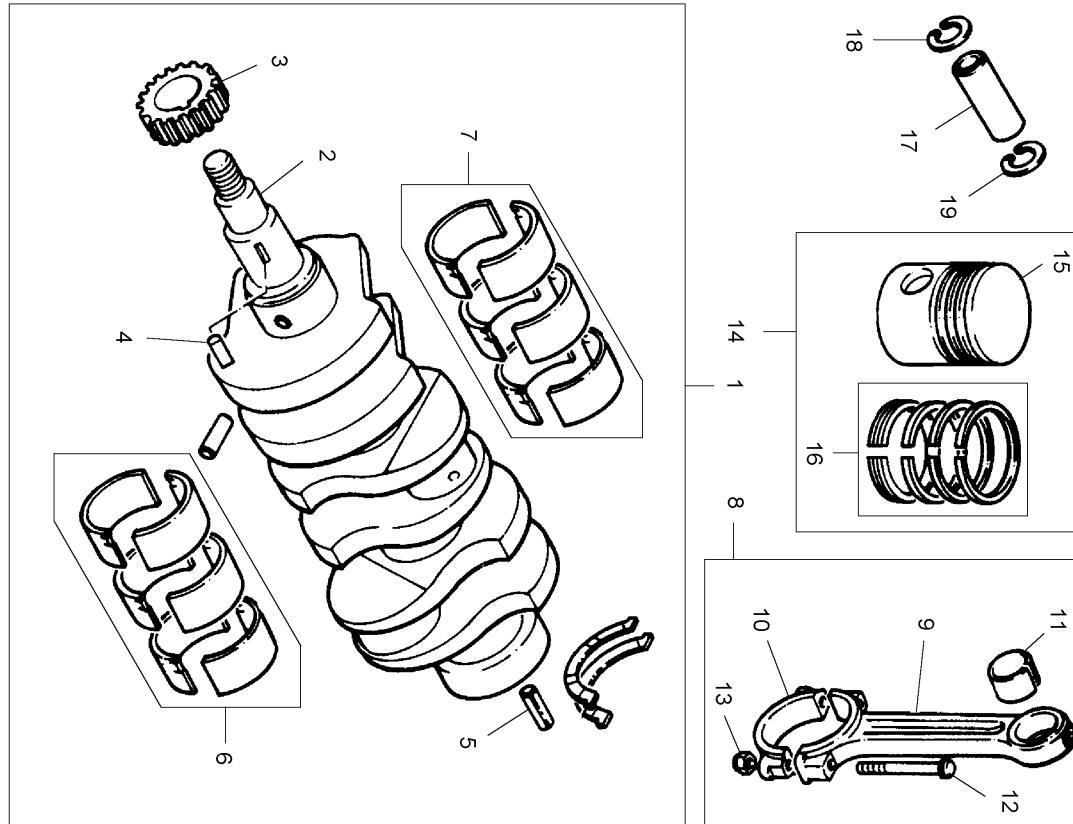
Crankshaft, Pistons & Connecting Rods (PPL092267)



Crankshaft, Pistons & Connecting Rods (PPL092267)

	Item	Parts No.	Qty	Latest Part No.	Description	Cut Out	Cut In	Comment
	1	115236010	1	115236010	CRANKSHAFT KIT			
	8	115026191	3	115026191	CON ROD ASSEMBLY			
	14	115017500	3	115017500	PISTON AND RING KIT			
Ⓛ	(14)	115016767	3	115016767	PISTON AND RING KIT			
Ⓛ	(14)	115016764	3	115016764	PISTON AND RING KIT			
	17	115326231	1	115326231	GUDGEON PIN			
	18	036500021	1	036500021	CIRCLIP			
	19	036500021	1	036500021	CIRCLIP			

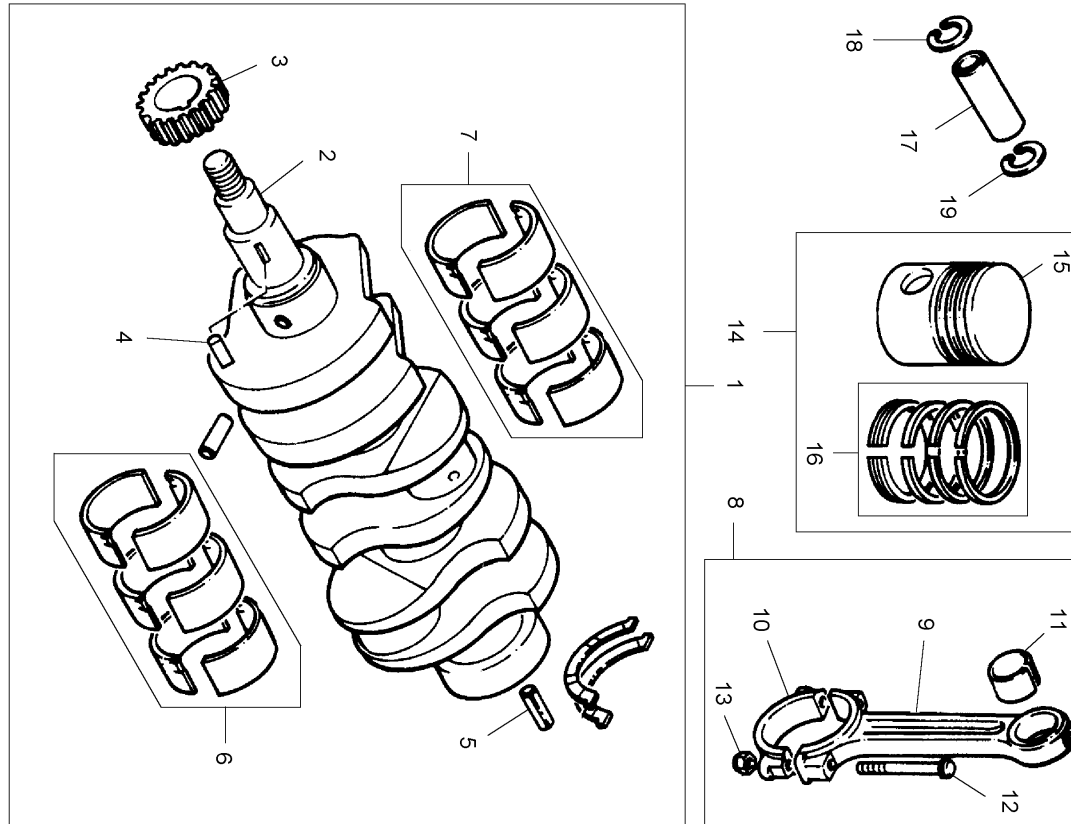
CRANKSHAFT KIT (115236010)



CRANKSHAFT KIT (115236010)

	Item	Parts No.	Qty	Latest Part No.	Description	Cut Out	Cut In	Comment
	2		1		CRANKSHAFT			
	3	115276180	1	115276180	CRANKSHAFT GEAR			
	4	030509020	1	030509020	KEY			
	5	030300816	1	030300816	PIN			
	6	198586010	1	198586010	MAIN BEARING KIT			
	(6)	198586017	1	198586017	MAIN BEARING KIT - U/S			
	(6)	198586014	1	198586014	MAIN BEARING KIT - U/S			
	7	198586020	1	198586020	BIG END BEARING KIT			
	(7)	198586027	1	198586027	BIG END BRG KIT - U/S			
	(7)	198586024	1	198586024	BIG END BRG KIT - U/S			

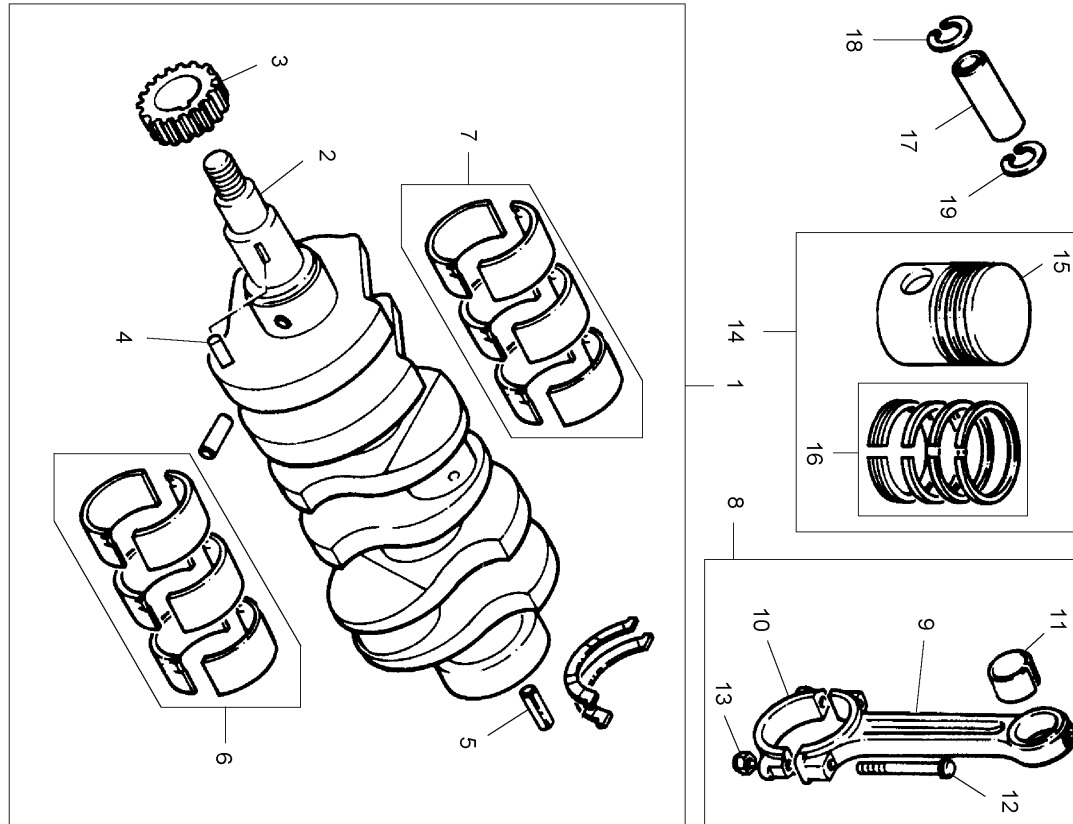
CON ROD ASSEMBLY (115026191)




CON ROD ASSEMBLY (115026191)

	Item	Parts No.	Qty.	Latest Part No.	Description	Cut Out	Cut In	Comment
	9		1		ROD			
	10		1		CAP			
X	11	198517120	1	198517125	SMALL END BUSH			
	12	115176150	2	115176150	CON ROD BOLT			
	13	020109075	2	020109075	CON ROD NUT			

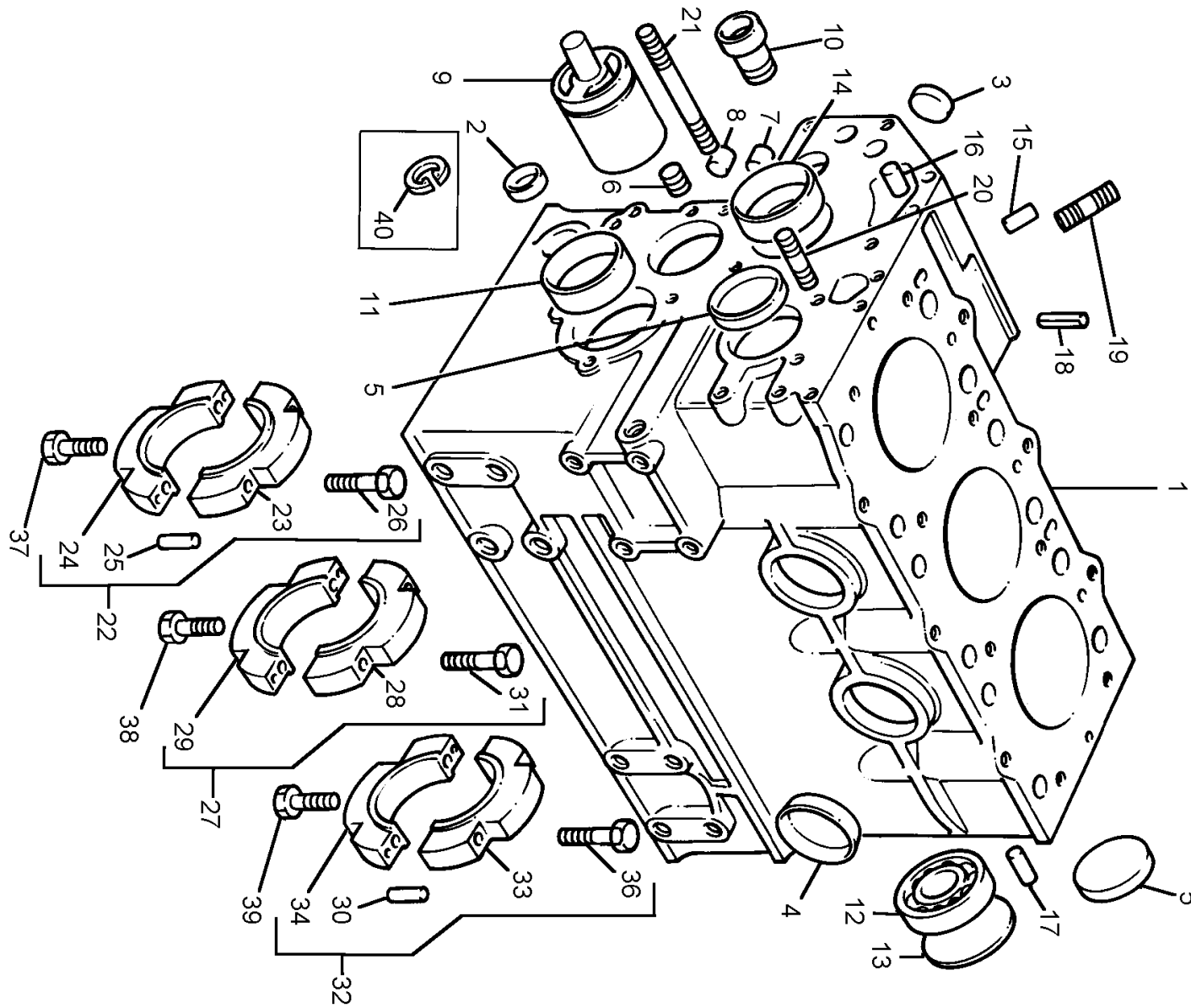
PISTON AND RING KIT (115017500)



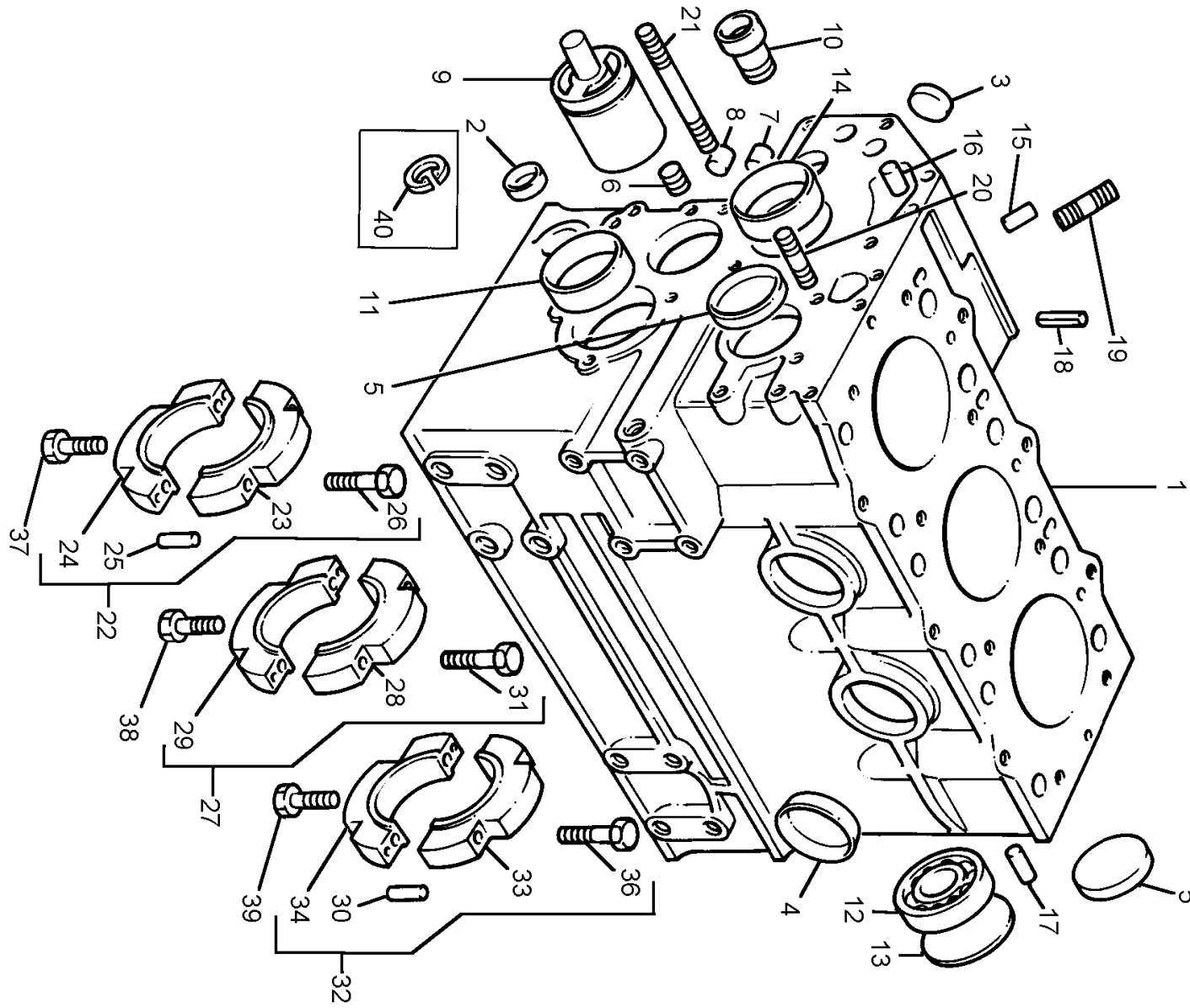
PISTON AND RING KIT (115017500)

	Item	Parts No.	Qty	Latest Part No.	Description	Cut Out	Cut In	Comment
	15		1		PISTON			
	16	115107980	1	115107980	PISTON RING KIT			
	(16)	115107206	1	115107206	PISTON RING KIT			
	(16)	115107204	1	115107204	PISTON RING KIT			




Cylinder Block (9111K003ACHK0020)



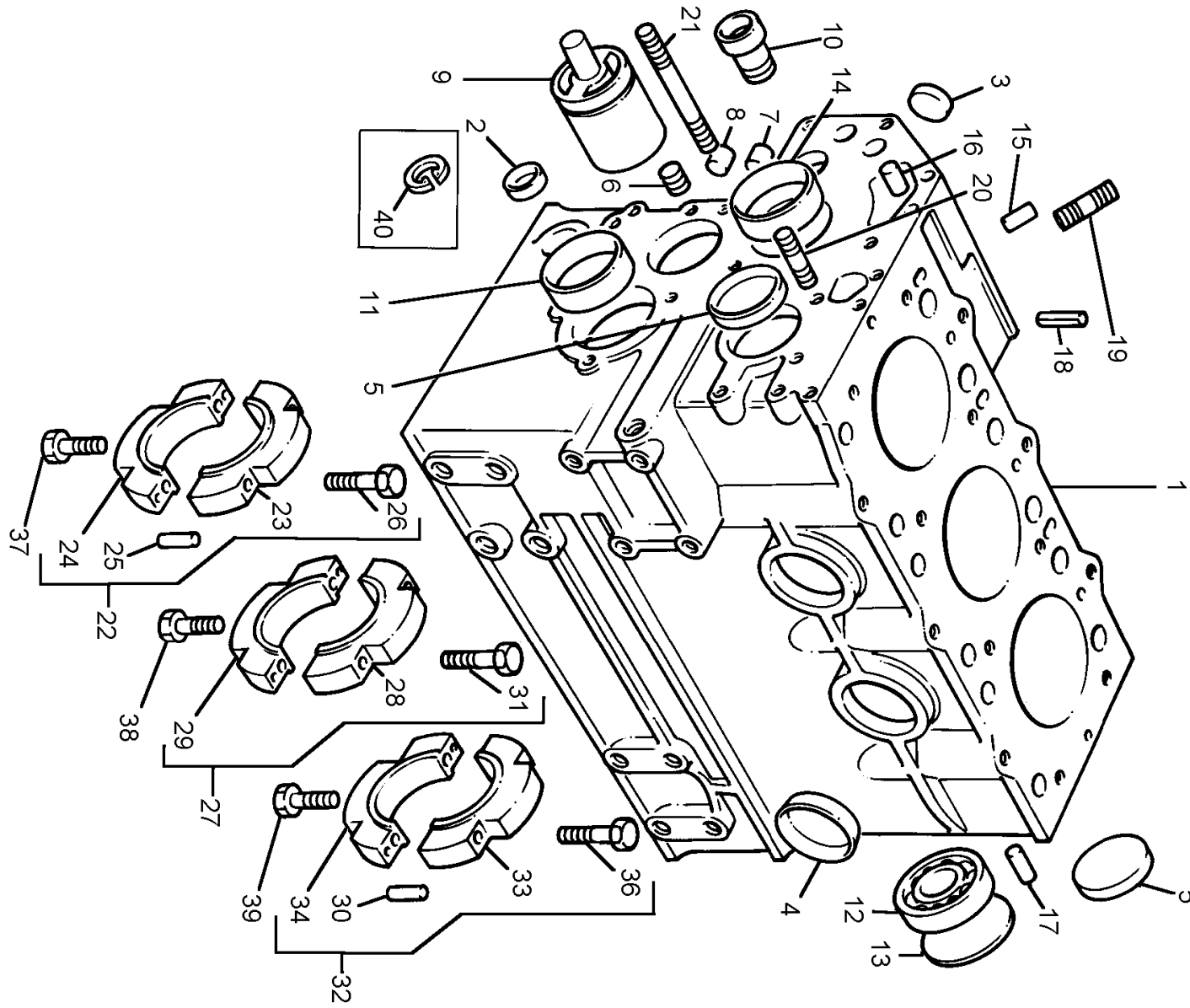
CYLINDER BLOCK ASSEMBLY (110186020)



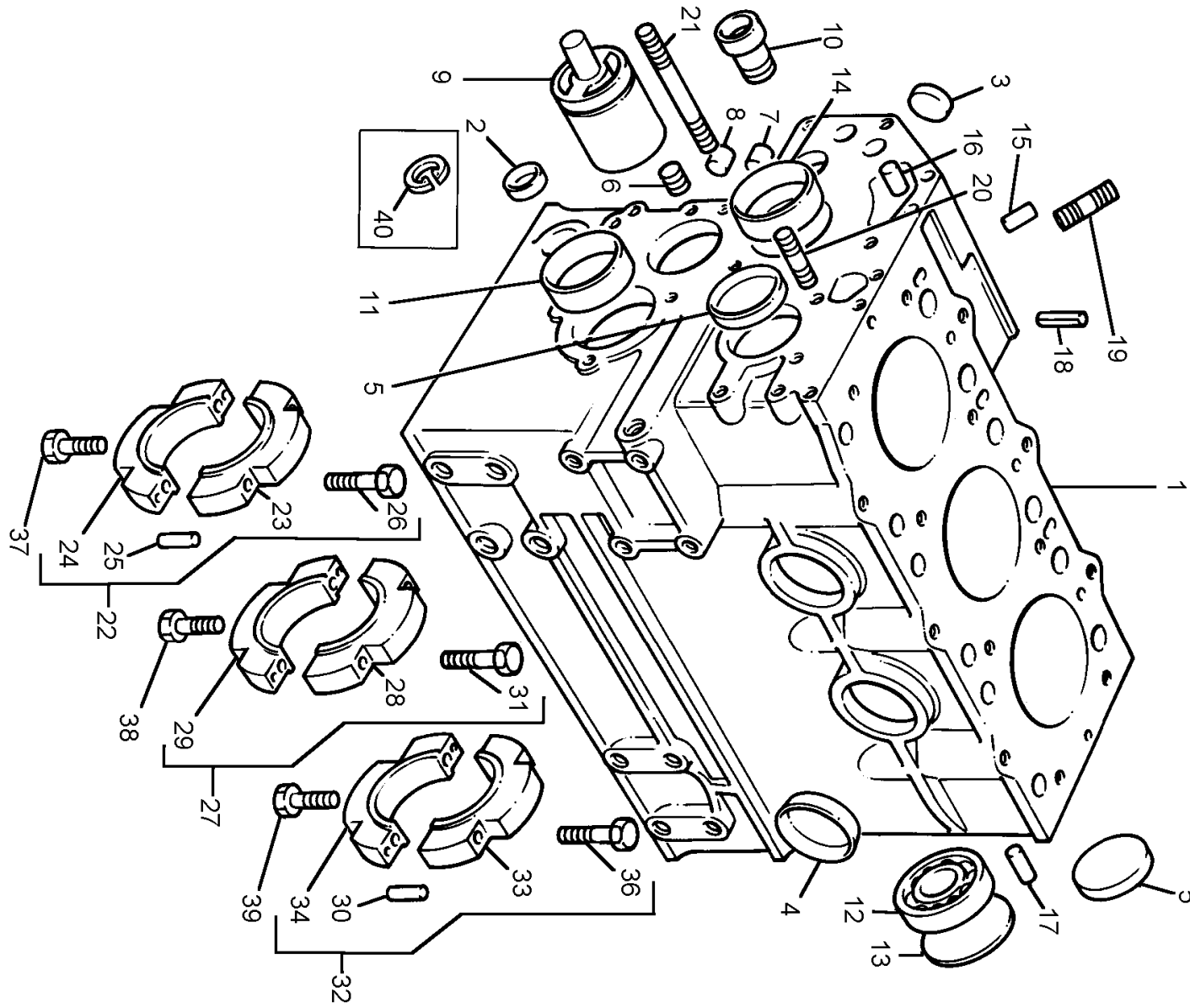
CYLINDER BLOCK ASSEMBLY (110186020)

	Item	Parts No.	Qty	Latest Part No.	Description	Cut Out	Cut In	Comment
	2	064210015	1	064210015	CAP			
	3	064210025	1	064210025	PLUG			
	4	064210035	2	064210035	PLUG			
	5	064210040	2	064209055	PLUG			
	6	198466050	1	198466050	PLUG			
	7	198466940	4	198466940	PLUG			
	7	198466030	4	198466940	PLUG			
	8	198466010	4	198466010	PLUG			
	9		1		HUB			
	10	198517090	1	198517090	BUSH			
	11	198517082	1	198517082	BUSH			
	11	198517087	1	198517089	BUSH			
	11	198517084	1	198517086	BUSH			
	12	040106203	1	040106203	BALL BEARING			
	13	064100045	1	064100045	PLUG			
	14	042303015	1	042303015	NEEDLE BEARING			
	15	030500512	2	030500512	DOWEL			
	16	030500616	2	030500616	DOWEL			
	17	030501025	2	030501025	DOWEL			
	18	030309005	2	030309005	PIN			
	19	012110620	2	012110620	STUD			
	20	012100635	1	012110635	STUD			
	21	012100660	1	012110660	STUD			
	22	110156111	1	110156111	BEARING HOLDER ASSEMBLY			
	27	110156121	1	110156121	BEARING HOLDER ASSEMBLY			
	32	110156330	1	110156330	BEARING HOLDER ASSEMBLY			

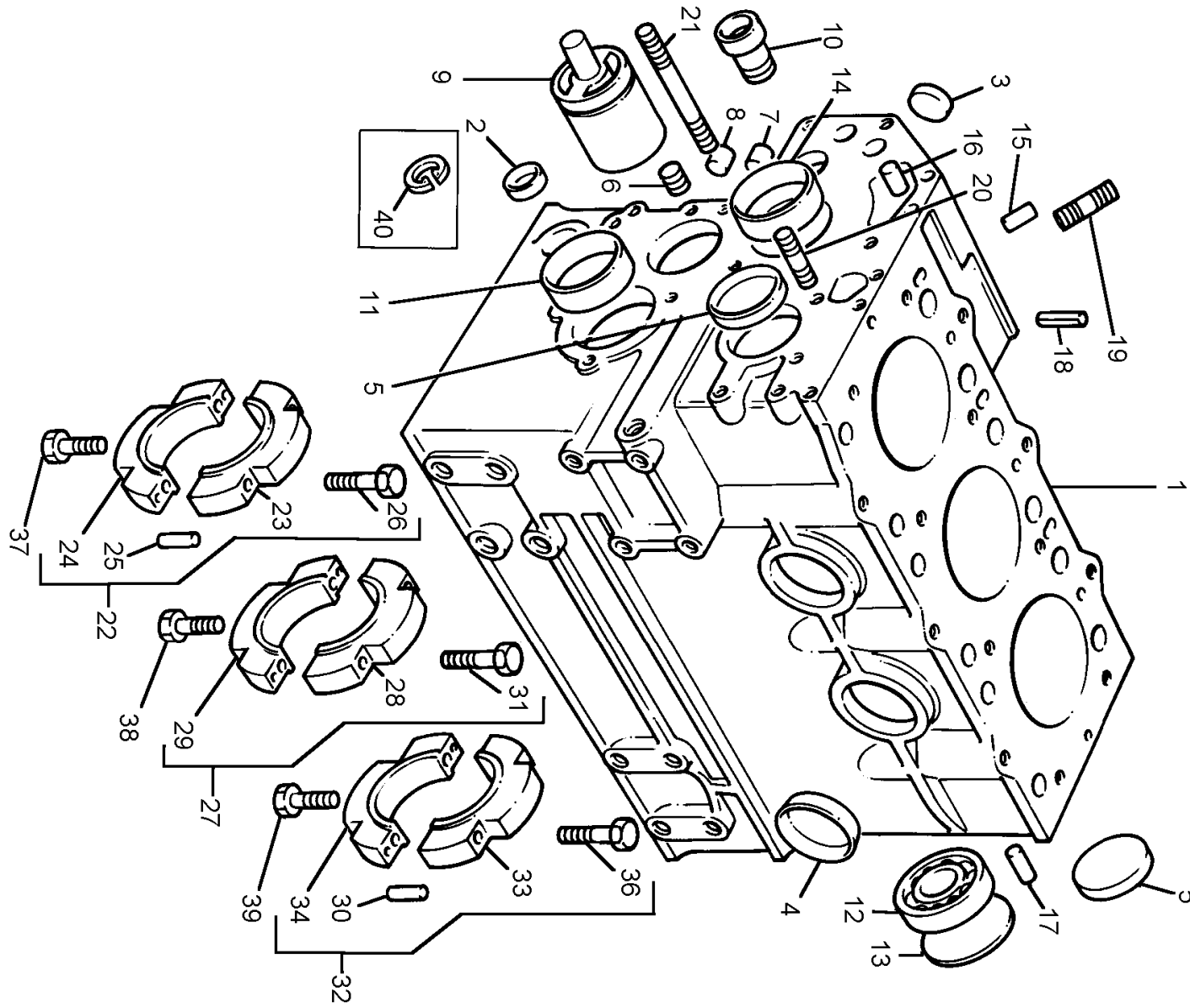
BEARING HOLDER ASSEMBLY (110156111)



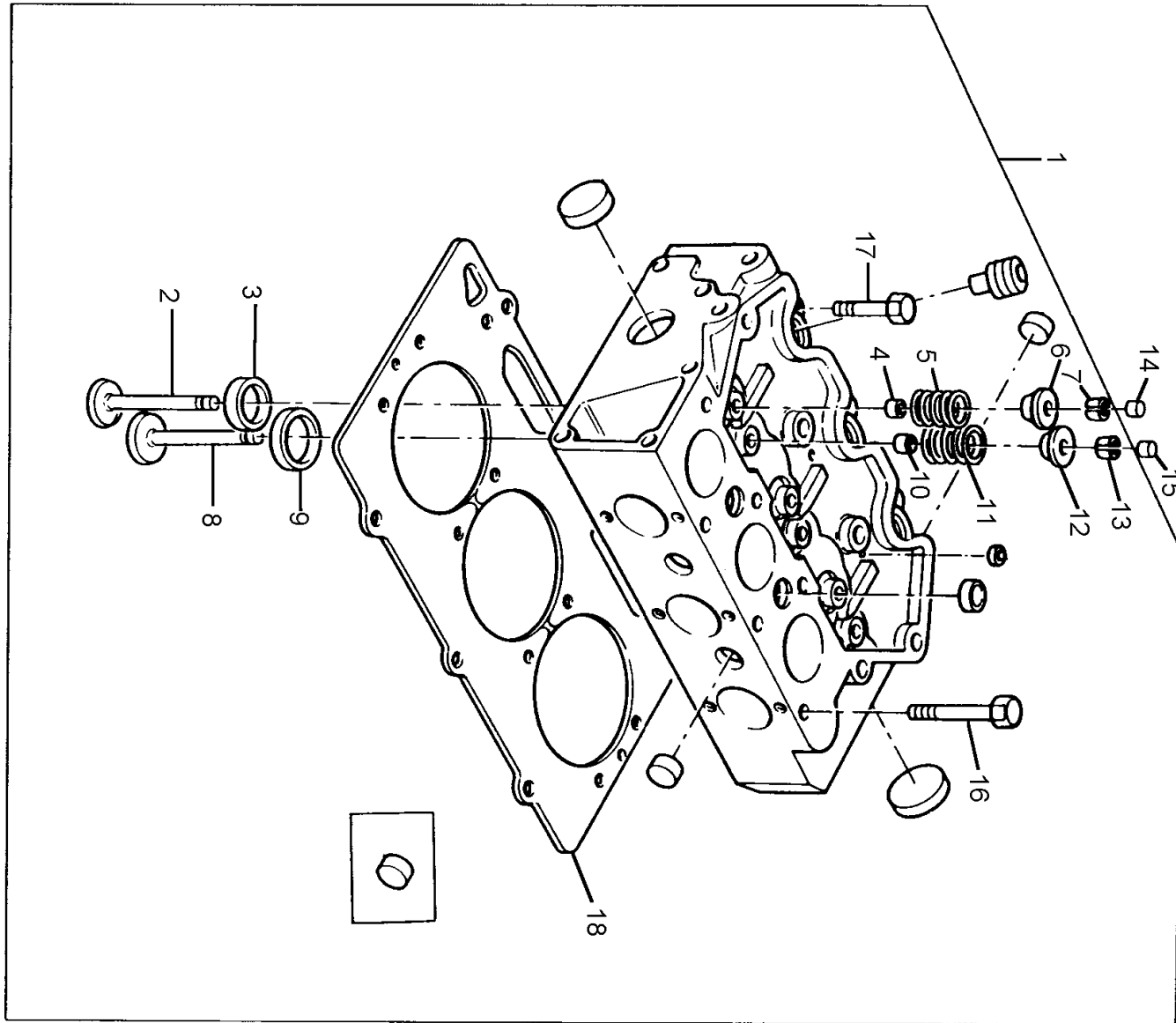
BEARING HOLDER ASSEMBLY (110156121)



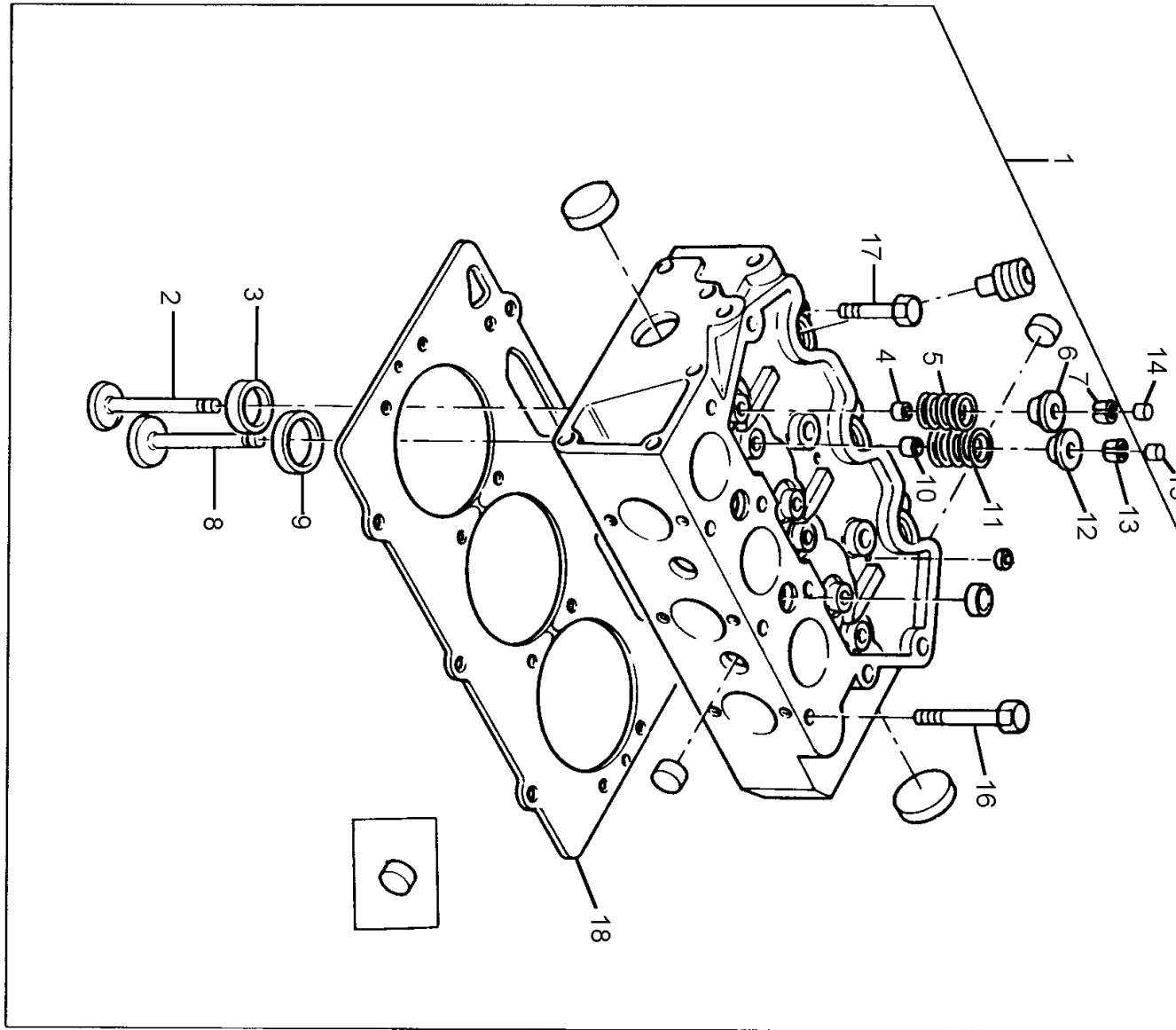
BEARING HOLDER ASSEMBLY (110156330)



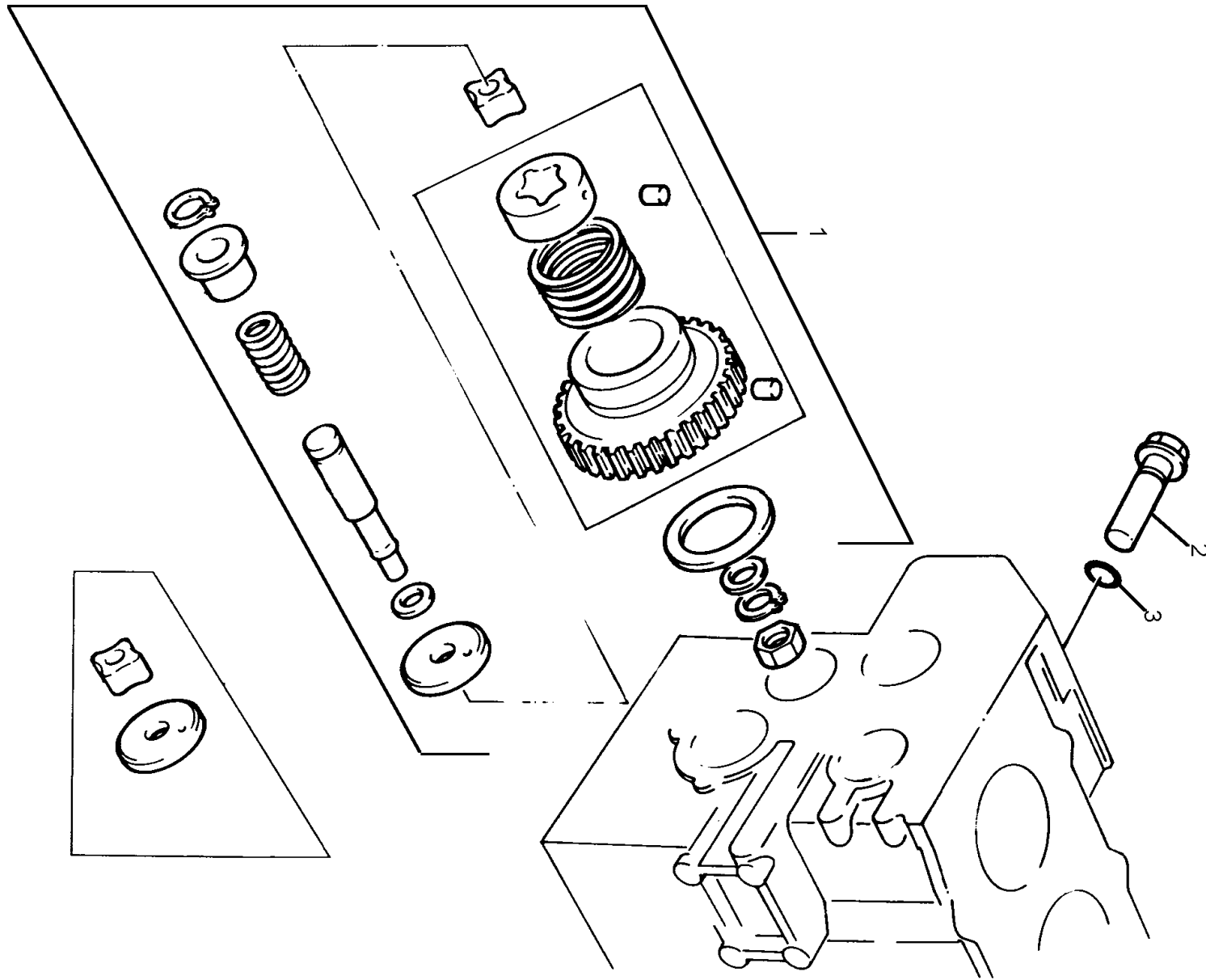
Cylinder Head (9126K002ACHK0020)



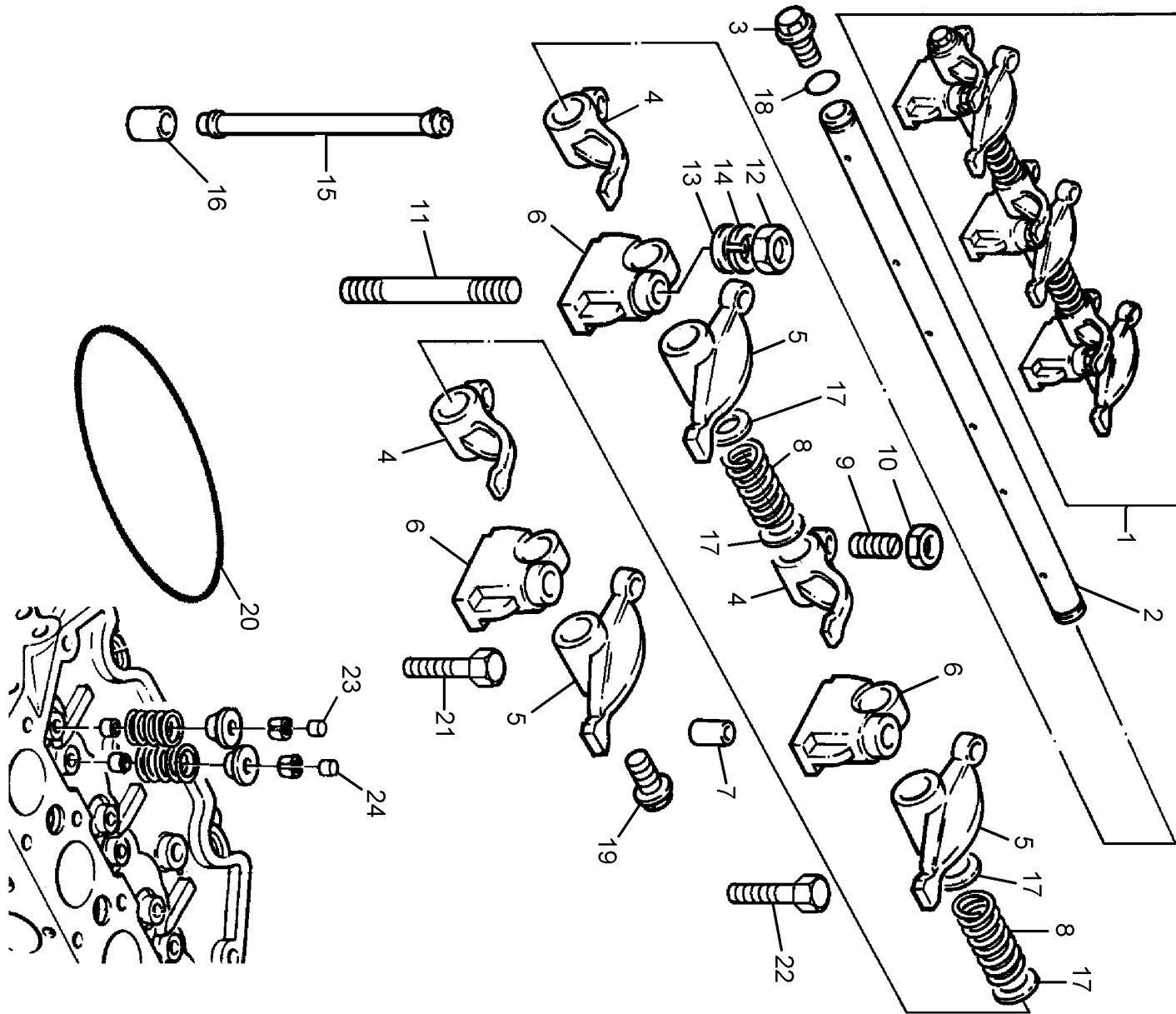
CYLINDER HEAD ASSEMBLY (111016842)



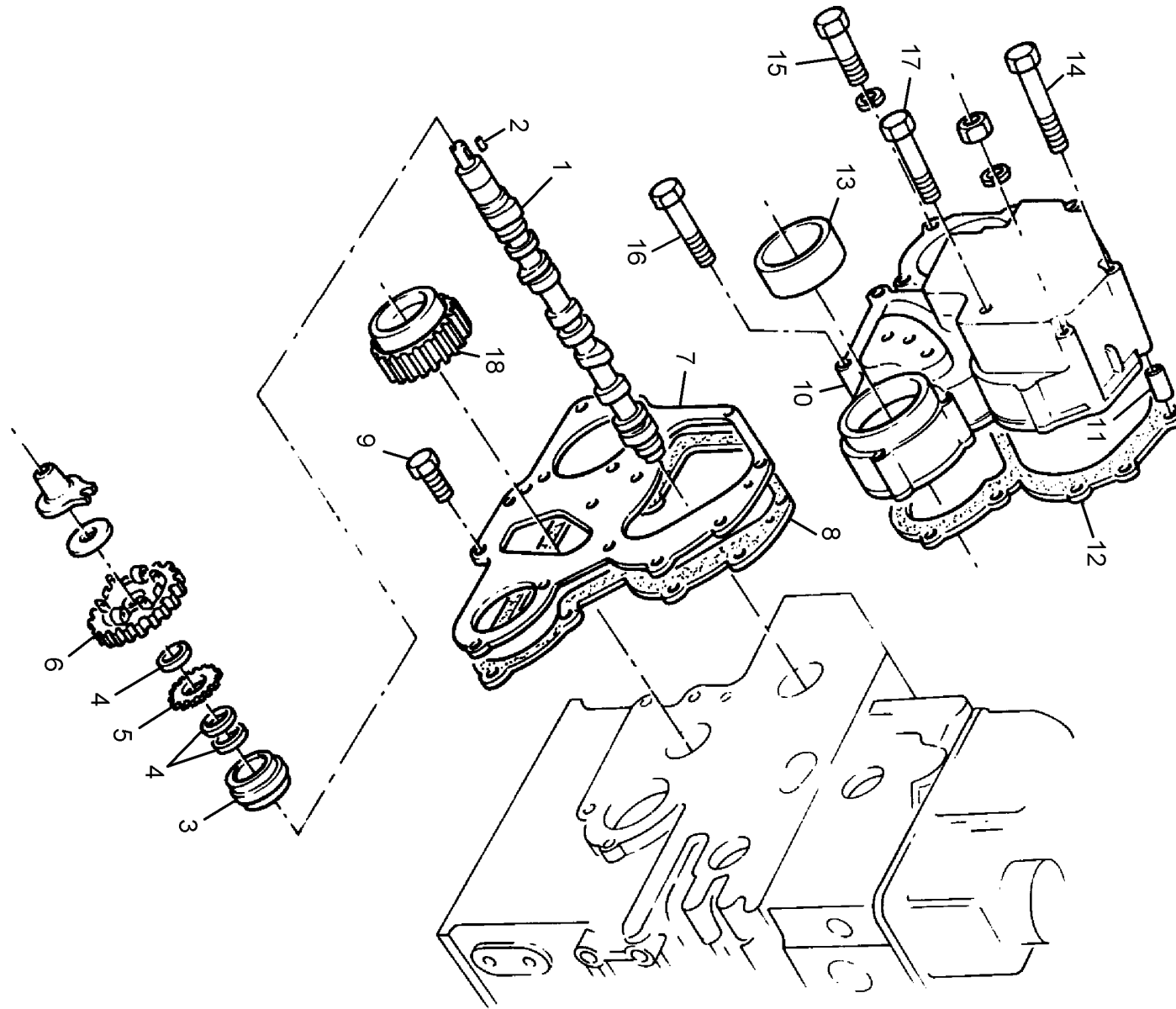
Lubricating Oil Pump & Delivery Housing (PPL083092)



Rocker Shaft (9131K002ACHK0020)



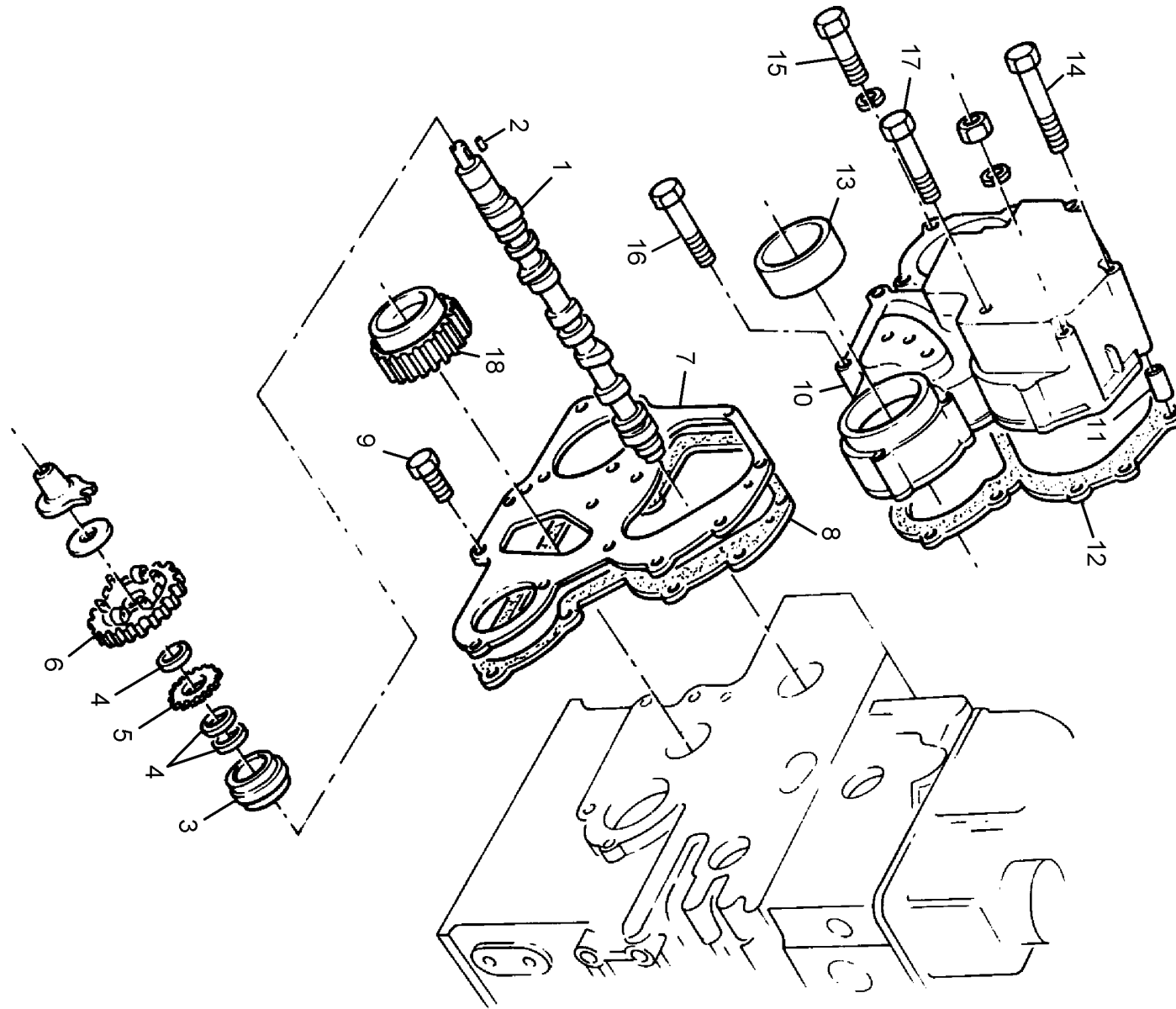
Timing Gear & Camshaft (9136K002ACHK0020)



Timing Gear & Camshaft (9136K002ACHK0020)

	Item	Parts No.	Qty	Latest Part No.	Description	Cut Out	Cut In	Comment
	1	120026360	1	120026361	CAMSHAFT			
	7	165166181	1	165166410	PLATE			
	8	165996570	1	165996570	GASKET			
	8	165996520	1	165996570	GASKET - TIMING CASE			
 	8	165996300	1	165996570	GASKET - TIMING CASE			
	9	011140612	3	011140612	SCREW			
	10	165106231	1	165106231	TIMING CASE			
	12	165996580	1	165996580	GASKET - TIMING CASE			
	12	165996530	1	165996580	GASKET - TIMING CASE			
 	12	165996310	1	165996580	GASKET - TIMING CASE			
	13	198636090	1	198636090	SEAL - FRONT END OIL			
	14	011310680	2	011310680	SCREW			
 	14	011300680	2	011310680	SCREW			
	15	011300860	4	011510860	SCREW			
	16	011310640	5	011310640	SCREW			
 	16	011300640	5	011310640	SCREW			
	17	011310660	4	011310660	SCREW			
 	17	011300660	4	011310660	SCREW			
	18		1		IDLER GEAR			

CAMSHAFT (120026360)





Technical Library

<http://engine.od.ua>