

# **PARTS CATALOG**

**WHEEL EXCAVATOR  
R170W 7A**

# **HYUNDAI**

*Use the bookmarks for navigation inside the Parts book*

**MODEL**  
**R170W 7A**

| Page     | Contents                         | Serial_No | Revision_No        |
|----------|----------------------------------|-----------|--------------------|
| <b>1</b> | <b>ENGINE SYSTEM</b>             |           |                    |
| 1010     | ENGINE MOUNTING                  |           | 2010. 6.30 REV.10F |
| 1020     | AIR INTAKE SYSTEM                |           | 2007.12.31 REV.7M  |
| 1030     | EXHAUST SYSTEM                   |           |                    |
| 1040     | COOLING SYSTEM                   |           | 2009. 8.27 REV.9H  |
| 1050     | RADIATOR ASSY                    |           |                    |
| 1060     | FUEL SYSTEM                      |           | 2009. 9. 1 REV.9J  |
| 1070     | FUEL TANK                        |           | 2009. 10.30 REV.9K |
| 1100     | AIRCON & HEATER MOUNTING-ENGINE  |           | 2010. 6.30 REV.10F |
| 1110     | AIRCON & HEATER MOUNTING-CABIN   |           | 2010. 6.30 REV.10F |
| 1120     | AIR CONDITIONER MOUNTING-ENGINE  |           | 2010. 6.30 REV.10F |
| 1130     | AIR CONDITIONER MOUNTING-CABIN   |           | 2010. 6.30 REV.10F |
| 1140     | HEATER MOUNTING-ENGINE           |           | 2008. 4.30 REV.8D  |
| 1150     | HEATER MOUNTING-CABIN            |           |                    |
| 1160     | AIRCON & HEATER UNIT             |           | 2010. 6.30 REV.10F |
| 1170     | AIR CONDITIONER UNIT             |           | 2010. 6.30 REV.10F |
| 1180     | HEATER UNIT                      |           |                    |
| 1190     | AIRCON & HEATER UNIT-FULL AUTO   |           | 2010. 6.30 REV.10F |
| <b>2</b> | <b>ELECTRIC SYSTEM</b>           |           |                    |
| 2010     | RH ELECTRIC                      |           | 2009. 3.11 REV.9C  |
| 2020     | LH ELECTRIC                      |           |                    |
| 2030     | BOOM ELECTRIC(STD)               |           |                    |
| 2035     | BOOM ELECTRIC(ADJUST BOOM)       |           |                    |
| 2040     | ENGINE ELECTRIC                  |           |                    |
| 2050     | ELECTRIC BOX                     |           | 2009. 3.10 REV.9C  |
| 2060     | CAB ELECTRIC 1                   |           | 2010. 2.28 REV.10B |
| 2070     | CAB ELECTRIC 2                   |           | 2010. 2.28 REV.10B |
| 2071     | CLUSTER                          |           | 2008. 4.30 REV.8D  |
| 2080     | BOTTOM ELECTRIC                  |           | 2007. 5.31 REV.7E  |
| 2090     | FUEL FILLER PUMP(-#0172)         | - #0172   | 2008. 11.30 REV.8L |
| 2091     | FUEL FILLER PUMP(#0173-)         | #0173 -   | 2008. 11.30 REV.8L |
| 2100     | FUSE BOX                         |           |                    |
| <b>3</b> | <b>HYDRAULIC SYSTEM</b>          |           |                    |
| 3010     | PUMP MOUNTING                    |           |                    |
| 3020     | HYDRAULIC TANK                   |           |                    |
| 3100     | UPPER HYDRAULIC PIPING(BASE)     |           |                    |
| 3110     | UPPER HYDRAULIC PIPING(ATTACH)   |           |                    |
| 3115     | UPPER HYD PIPING 1(ADJUST BOOM)  |           |                    |
| 3116     | UPPER HYD PIPING 2(ADJUST BOOM)  |           |                    |
| 3120     | UPPER HYD PIPING(TRAVEL)         |           | 2009. 2.28 REV.9B  |
| 3200     | PILOT HYD PIPING(CONTROL 1)      |           |                    |
| 3210     | PILOT HYD PIPING(CONTROL 2)      |           | 2009. 3.17 REV.9C  |
| 3220     | PILOT HYD PIPING(BASE 1)         |           |                    |
| 3230     | PILOT HYD PIPING(BASE 2)         |           | 2008. 6.30 REV.8F  |
| 3240     | PILOT HYD PIPING(BASE 3)         |           | 2009. 3.11 REV.9C  |
| 3250     | PILOT HYD PIPING(BASE 4)         |           | 2009. 4.28 REV.9D  |
| 3260     | PILOT HYD PIPING(BASE 5)         |           | 2008. 9.30 REV.8J  |
| 3280     | PILOT HYD PIPING(4 OUTRIGGER)    |           |                    |
| 3300     | POWER TRAIN HYD PIPING 1         |           | 2009. 2.28 REV.9B  |
| 3310     | POWER TRAIN HYD PIPING 2         |           |                    |
| 3400     | LOWER HYD PIPING 1               |           | 2008. 6.30 REV.8F  |
| 3410     | LOWER HYDRAULIC PIPING 2         |           |                    |
| 3420     | LOWER HYD PIPING(REAR BLADE)     |           | 2007.11.30 REV.7L  |
| 3430     | LOWER HYD PIPING(REAR OUTRIGGER) |           |                    |
| 3440     | LOWER HYD PIPING 1(4 OUTRIGGER)  |           |                    |
| 3450     | LOWER HYD PIPING 2(4 OUTRIGGER)  |           |                    |
| 3460     | LOWER HYD PIPING 1(F/OUT R/BLD)  |           |                    |

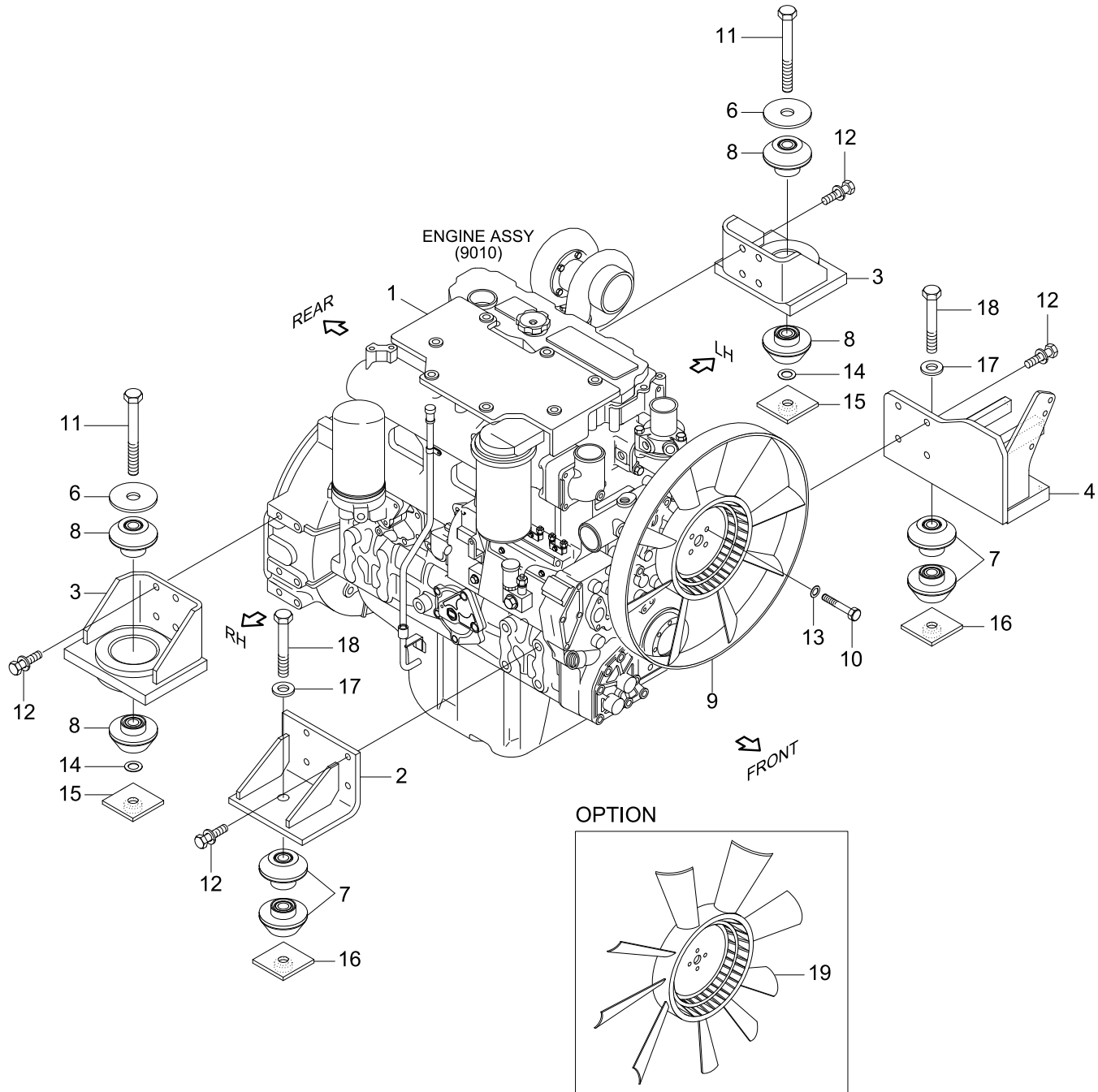
|          |   |         |                   |
|----------|---|---------|-------------------|
| 3470     | LOWER HYD PIPING 2(F/OUT R/BLD)         |         |                   |
| 3480     | LOWER HYD PIPING 1(F/BLD R/OUT)         |         |                   |
| 3490     | LOWER HYD PIPING 2(F/BLD R/OUT)         |         |                   |
| 3495     | LOWER HYD PIPING 1(F/BLD R/BLD)         |         |                   |
| 3496     | LOWER HYD PIPING 2(F/BLD R/BLD)         |         |                   |
| 3500     | BOOM HYD PIPING(5.1M, STD)              |         |                   |
| 3505     | BOOM HYD PIPING(ADJUST BOOM)            |         |                   |
| 3510     | BOOM GREASE LUB SYSTEM(5.1M,STD)        |         | 2008. 6.30 REV.8F |
| 3515     | BOOM GREASE LUB SYSTEM(ADJUST BOOM)     |         | 2008. 6.30 REV.8F |
| 3520     | BOOM SAFETY LOCK SYSTEM                 |         | 2008. 6.30 REV.8F |
| 3530     | ARM HYD PIPING(2.6M)                    |         |                   |
| 3540     | ARM HYD PIPING(2.2M, STD)               |         |                   |
| 3545     | ARM HYD PIPING(3.1M)                    |         | 2008. 6.30 REV.8F |
| 3550     | ARM SAFETY LOCK SYSTEM                  |         | 2008. 8.31 REV.8H |
| 3570     | QUICK CLAMP HYD PIPING                  |         | 2008. 8.31 REV.8H |
| 3571     | QUICK CLAMP(HOOK TYPE)                  |         |                   |
| 3572     | QUICK CLAMP(CLOSE TYPE)                 |         |                   |
| 3573     | QUICK CLAMP CYLINDER                    |         |                   |
| 3575     | QUICK CLAMP(HOOK TYPE)                  |         |                   |
| 3576     | QUICK CLAMP CYLINDER                    |         |                   |
| 3577     | QUICK CLAMP(CLOSE TYPE)                 |         |                   |
| 3600     | DOUBLE ACTING HYD PIPING KIT 1          |         |                   |
| 3610     | DOUBLE ACTING HYD PIPING KIT 2          |         |                   |
| 3620     | ATTACH PIPING KIT(S & D/ACTING)         |         |                   |
| 3630     | DOUBLE ACTING MAIN PIPING KIT           |         |                   |
| 3640     | SINGLE PEDAL(DOUBLE ACTING)             |         |                   |
| 3650     | D/ACT MAIN PIPING KIT(ADJUST BOOM)      |         |                   |
| 3660     | D/ACT ATTACH PIPING KIT(ADJUST BOOM)    |         |                   |
| 3700     | SINGLE ACTING HYD PIPING KIT 1          |         |                   |
| 3710     | SINGLE ACTING HYD PIPING KIT 2          |         |                   |
| 3720     | SINGLE ACTING MAIN PIPING KIT           |         |                   |
| <b>4</b> | <b>HYDRAULIC COMPONENT</b>              |         |                   |
| 4010     | MAIN PUMP                               |         |                   |
| 4020     | REGULATOR                               |         | 2007. 5.31 REV.7E |
| 4030     | GEAR PUMP                               |         |                   |
| 4040     | MAIN CONTROL VALVE(1/4, TYPE 1)         |         | 2009. 8.24 REV.9H |
| 4050     | MAIN CONTROL VALVE(2/4, TYPE 1)         |         | 2009. 8.24 REV.9H |
| 4060     | MAIN CONTROL VALVE(3/4, TYPE 1)         |         | 2009. 8.24 REV.9H |
| 4070     | MAIN CONTROL VALVE(4/4, TYPE 1)         |         | 2009. 8.24 REV.9H |
| 4090     | MAIN CONTROL VALVE(1/4, TYPE 2, #0319-) | #0319 - | 2009. 8.24 REV.9H |
| 4091     | MAIN CONTROL VALVE(2/4, TYPE 2, #0319-) | #0319 - | 2009. 8.24 REV.9H |
| 4092     | MAIN CONTROL VALVE(3/4, TYPE 2, #0319-) | #0319 - | 2009. 8.24 REV.9H |
| 4093     | MAIN CONTROL VALVE(4/4, TYPE 2, #0319-) | #0319 - | 2009. 8.24 REV.9H |
| 4100     | SWING MOTOR(TYPE 1)                     |         | 2009. 2.28 REV.9B |
| 4104     | SWING REDUCTION GEAR(TYPE 1)            |         | 2009. 2.28 REV.9B |
| 4108     | SWING REACTIONLESS VALVE BLOCK(TYPE 1)  |         | 2009. 2.28 REV.9B |
| 4110     | SWING MOTOR(TYPE 2, #0313-)             | #0313 - | 2009. 2.28 REV.9B |
| 4115     | SWING REDUCTION GEAR(TYPE 2, #0313-)    | #0313 - | 2009. 2.28 REV.9B |
| 4120     | REMOTE CONTROL LEVER                    |         |                   |
| 4130     | REMOTE CONTROL PEDAL                    |         |                   |
| 4140     | TRAVEL MOTOR(1/2)                       |         |                   |
| 4150     | TRAVEL MOTOR(2/2)                       |         |                   |
| 4160     | COUNTER BALANCE VALVE                   |         |                   |
| 4180     | TURNING JOINT                           |         |                   |
| 4190     | BOOM CYLINDER                           |         |                   |
| 4195     | BOOM CYLINDER(ADJUST BOOM)              |         |                   |
| 4200     | ARM CYLINDER                            |         |                   |
| 4210     | BUCKET CYLINDER                         |         |                   |
| 4220     | DOZER BLADE CYLINDER                    |         | 2008. 6.30 REV.8F |
| 4230     | OUTRIGGER CYLINDER                      |         | 2008. 7.31 REV.8G |
| 4240     | ADJUST CYLINDER                         |         | 2008. 7.31 REV.8G |
| 4300     | SOLENOID VALVE                          |         |                   |

|          |                                       |         |                    |
|----------|---------------------------------------|---------|--------------------|
| 4310     | STEERING VALVE                        |         |                    |
| 4320     | TRAVEL CONTROL VALVE                  |         |                    |
| 4330     | BRAKE SUPPLY VALVE                    |         |                    |
| 4340     | BRAKE VALVE                           |         |                    |
| <b>5</b> | <b>POWER TRAIN</b>                    |         |                    |
| 5010     | POWER TRAIN MOUNTING                  |         | 2009. 4.10 REV.9D  |
| 5020     | PROPELLER SHAFT                       |         |                    |
| 5030     | OCCILLATING CYLINDER                  |         |                    |
| 5100     | FRONT AXLE INPUT GROUP                |         |                    |
| 5110     | FRONT AXLE DIFFERENTIAL               |         |                    |
| 5120     | FRONT AXLE CASING                     |         |                    |
| 5130     | FRONT AXLE JOINT HOUSING              |         |                    |
| 5140     | FRONT AXLE OUTPUT GROUP               |         |                    |
| 5150     | FRONT AXLE STEERING GEAR              |         |                    |
| 5160     | FRONT AXLE UNIVERSAL JOINT            |         |                    |
| 5200     | REAR AXLE INPUT GROUP                 |         |                    |
| 5210     | REAR AXLE DIFFERENTIAL                |         |                    |
| 5220     | REAR AXLE CASING                      |         |                    |
| 5230     | REAR AXLE HUB CARRIER                 |         |                    |
| 5240     | REAR AXLE OUTPUT GROUP                |         |                    |
| 5300     | TRANSMISSION INPUT HOUSING            |         |                    |
| 5310     | TRANSMISSION HOUSING                  |         |                    |
| 5320     | TRANSMISSION MULTI-DISC BRAKE         |         |                    |
| 5330     | TRANSMISSION COUPLING                 |         |                    |
| 5340     | TRANSMISSION PLANETARY DRIVE          |         |                    |
| 5350     | TRANSMISSION OUTPUT GROUP             |         |                    |
| 5360     | TRANSMISSION GEAR SHIFT SENSOR        |         |                    |
| 5370     | TRANSMISSION OIL PIPE                 |         |                    |
| <b>6</b> | <b>STRUCTURE</b>                      |         |                    |
| 6010     | CAB MOUNTING                          |         | 2009. 12.10 REV.9M |
| 6020     | CAB ASSY(1/6, STD & FOG TYPE, -#0135) | - #0135 | 2008. 4.30 REV.8D  |
| 6021     | CAB ASSY(1/6, STD & FOG TYPE, #0136-) | #0136 - | 2009.12.30 REV.9M  |
| 6025     | CAB ASSY(1/6, ROOF TYPE, -#0135)      | - #0135 | 2008. 4.30 REV.8D  |
| 6026     | CAB ASSY(1/6, ROOF TYPE, #0136-)      | #0136 - | 2009.12.30 REV.9M  |
| 6030     | CAB ASSY(2/6, -#0135)                 | - #0135 | 2008. 4.30 REV.8D  |
| 6031     | CAB ASSY(2/6, #0136-)                 | #0136 - | 2008. 7.31 REV.8G  |
| 6040     | CAB ASSY(3/6)                         |         | 2007.12.31 REV.7M  |
| 6050     | CAB ASSY(4/6, DOOR)                   |         | 2008. 11.30 REV.8L |
| 6060     | CAB ASSY(5/6, SASH ASSY)              |         |                    |
| 6070     | CAB ASSY(6/6, DOOR LATCH ASSY)        |         |                    |
| 6080     | CAB INTERIOR 1(-#0135)                | - #0135 | 2008. 4.30 REV.8D  |
| 6081     | CAB INTERIOR 2(-#0135)                | - #0135 | 2008. 4.30 REV.8D  |
| 6082     | CAB INTERIOR 1(#0136-)                | #0136 - | 2008. 4.30 REV.8D  |
| 6083     | CAB INTERIOR 2(#0136-)                | #0136 - | 2008. 4.30 REV.8D  |
| 6090     | CAB INTERIOR 2                        |         |                    |
| 6100     | CONSOLE BOX(1/2, LH, -#0135)          | - #0135 | 2008. 4.30 REV.8D  |
| 6101     | CONSOLE BOX 1(LH, #0136-)             | #0136 - | 2008. 4.30 REV.8D  |
| 6110     | CONSOLE BOX(2/2, LH, -#0135)          | - #0135 | 2008. 4.30 REV.8D  |
| 6111     | CONSOLE BOX 2(LH, #0136-)             | #0136 - | 2008. 4.30 REV.8D  |
| 6120     | CONSOLE BOX(RH, -#0135)               | - #0135 | 2008. 4.30 REV.8D  |
| 6121     | CONSOLE BOX(RH, #0136-)               | #0136 - | 2008. 4.30 REV.8D  |
| 6130     | SEAT BASE ASSY                        |         | 2009. 4.22 REV.9D  |
| 6140     | SEAT(STD)                             |         |                    |
| 6145     | SEAT(AIR SUSPENSION, OPT)             |         |                    |
| 6146     | SEAT(HEATED, OPT)                     |         |                    |
| 6148     | SEAT(AIR SUSP & HEATED, #0025-, OPT)  | #0025 - | 2008. 4.30 REV.8D  |
| 6150     | STORAGE BOX COVER ASSY                |         |                    |
| 6160     | BOTTOM PLATE MOUNTING(-#0135)         | - #0135 | 2008. 4.30 REV.8D  |
| 6161     | BOTTOM PLATE MOUNTING(#0136-)         | #0136 - | 2009. 9.21 REV.9J  |
| 6170     | STEERING COLUMN                       |         |                    |
| 6200     | COWLING                               |         |                    |
| 6210     | SIDE COWL ASSY(LH)                    |         |                    |

|          |                                       |  |                    |
|----------|---------------------------------------|--|--------------------|
| 6220     | AIR CLEANER ASSY                      |  |                    |
| 6230     | SIDE COVER ASSY(LH)                   |  |                    |
| 6240     | SIDE COWL ASSY(RH)                    |  |                    |
| 6250     | ENGINE HOOD                           |  |                    |
| 6260     | UNDER COVER                           |  | 2008. 8.31 REV.8H  |
| 6270     | TOOL BOX MOUNTING                     |  | 2008. 8.31 REV.8H  |
| 6280     | TOOL BOX                              |  |                    |
| 6300     | GROMMET GROUP                         |  |                    |
| 6400     | UPPER FRAME & COUNTERWEIGHT           |  | 2009. 7.22 REV.9G  |
| 6410     | LOWER FRAME & FENDER                  |  | 2008. 8.31 REV.8H  |
| 6420     | SWING RING GREASE LUB SYSTEM          |  | 2010. 7.31 REV.10G |
| 6430     | DOZER BLADE-REAR                      |  |                    |
| 6440     | DOZER BLADE-FRONT                     |  |                    |
| 6450     | OUTRIGGER MOUNTING-FRONT              |  |                    |
| 6460     | OUTRIGGER MOUNTING-REAR               |  |                    |
| 6500     | CAB PROTECTOR ASSY(OPTION)            |  |                    |
| <b>7</b> | <b>ATTACHMENT</b>                     |  |                    |
| 7010     | BOOM MOUNTING(5.1M, STD)              |  | 2009. 4.17 REV.9D  |
| 7050     | ADJUST BOOM MOUNTING                  |  | 2009. 4.17 REV.9D  |
| 7100     | BOOM(5.1M, STD)                       |  |                    |
| 7150     | ADJUST BOOM                           |  |                    |
| 7200     | ARM(2.6M)                             |  | 2007. 7.31 REV.8G  |
| 7210     | ARM(2.2M, STD)                        |  | 2007. 7.31 REV.8G  |
| 7220     | ARM(3.1M)                             |  | 2007. 7.31 REV.8G  |
| 7300     | BUCKET CONTROL GROUP                  |  |                    |
| 7310     | BUCKET(0.76M3 SAE HEAPED, STD)        |  | 2007.12.31 REV.7M  |
| 7320     | BUCKET(0.39M3 SAE HEAPED)             |  | 2007.12.31 REV.7M  |
| 7330     | BUCKET(0.50M3 SAE HEAPED)             |  | 2007.12.31 REV.7M  |
| 7340     | BUCKET(0.64M3 SAE HEAPED)             |  | 2007.12.31 REV.7M  |
| 7350     | BUCKET(0.89M3 SAE HEAPED)             |  | 2007.12.31 REV.7M  |
| 7360     | BUCKET(1.05M3 SAE HEAPED)             |  | 2007.12.31 REV.7M  |
| 7380     | BUCKET(0.75M3 SAE HEAPED D/CLEANING)  |  |                    |
| 7400     | BUCKET(0.69M3 SAE HEAPED, HEAVY DUTY) |  | 2007.12.31 REV.7M  |
| <b>8</b> | <b>OTHERS</b>                         |  |                    |
| 8010     | TOOLS                                 |  |                    |
| 8050     | HRDT 2.0 TOOL KIT                     |  |                    |
| 8100     | DECALS                                |  | 2010. 5.31 REV.10E |
| <b>9</b> | <b>ENGINE BASE</b>                    |  |                    |
| 9010     | CYLINDER HEAD                         |  | 2007.12.31 REV.7M  |
| 9020     | VALVE MECHANISM                       |  | 2007.12.31 REV.7M  |
| 9030     | ROCKER COVER                          |  | 2007. 8.31 REV.7H  |
| 9040     | CAMSHAFT                              |  | 2007.12.31 REV.7M  |
| 9050     | CRANKCASE                             |  | 2007. 8.31 REV.7H  |
| 9060     | LIFTING EYE                           |  | 2007.12.31 REV.7M  |
| 9070     | MAIN BEARING                          |  |                    |
| 9080     | TIMING GEAR CASE 1                    |  | 2007.12.31 REV.7M  |
| 9090     | WATER PUMP                            |  | 2007. 8.31 REV.7H  |
| 9100     | TIMING GEAR CASE 2                    |  | 2007.12.31 REV.7M  |
| 9110     | FLYWHEEL HOUSING                      |  | 2007.12.31 REV.7M  |
| 9120     | OIL PAN                               |  | 2007.12.31 REV.7M  |
| 9130     | PISTON                                |  | 2007. 9.30 REV.7J  |
| 9140     | CONNECTING ROD                        |  | 2007.12.31 REV.7M  |
| 9150     | CRANKSHAFT & PULLEY                   |  | 2007.12.31 REV.7M  |
| 9160     | FLYWHEEL                              |  | 2007.12.31 REV.7M  |
| 9170     | TIMING GEAR                           |  | 2007.12.31 REV.7M  |
| 9180     | INLET SYSTEM                          |  | 2007.12.31 REV.7M  |
| 9190     | EXHAUST SYSTEM                        |  |                    |
| 9200     | TURBOCHARGER                          |  | 2007.12.31 REV.7M  |
| 9210     | TURBOCHARGER PIPING                   |  | 2007.12.31 REV.7M  |
| 9220     | OIL STRAINER                          |  |                    |
| 9230     | OIL COOLER                            |  | 2007.12.31 REV.7M  |
| 9240     | OIL FILTER                            |  | 2007.12.31 REV.7M  |

|      |                            |  |                   |
|------|----------------------------|--|-------------------|
| 9250 | BREATHER                   |  |                   |
| 9260 | WATER PUMP PULLEY & V-VELT |  | 2007.12.31 REV.7M |
| 9270 | COOLING SYSTEM             |  | 2007.12.31 REV.7M |
| 9280 | FUEL SYSTEM                |  | 2007.12.31 REV.7M |
| 9290 | FUEL FILTER                |  | 2008. 9.30 REV.8J |
| 9300 | INJECTION PUMP GENERAL     |  | 2009. 4.27 REV.9D |
| 9310 | STARTER (24V-5KW)          |  | 2007.12.31 REV.7M |
| 9320 | AIR HEATER & WIRE          |  |                   |
| 9330 | ALTERNATOR(GENERAL)        |  | 2007.12.31 REV.7M |
| 9340 | ALTERNATOR (24V-50A)       |  | 2007. 8.31 REV.7H |
| 9350 | ENGINE CONTROL             |  | 2008. 9.30 REV.8J |
| 9360 | INSTRUMENT 1               |  | 2007. 8.31 REV.7H |
| 9370 | INSTRUMENT (PART-2)        |  | 2007. 8.31 REV.7H |
| 9380 | INSTRUMENT 2               |  | 2007.12.31 REV.7M |
|      |                            |  |                   |

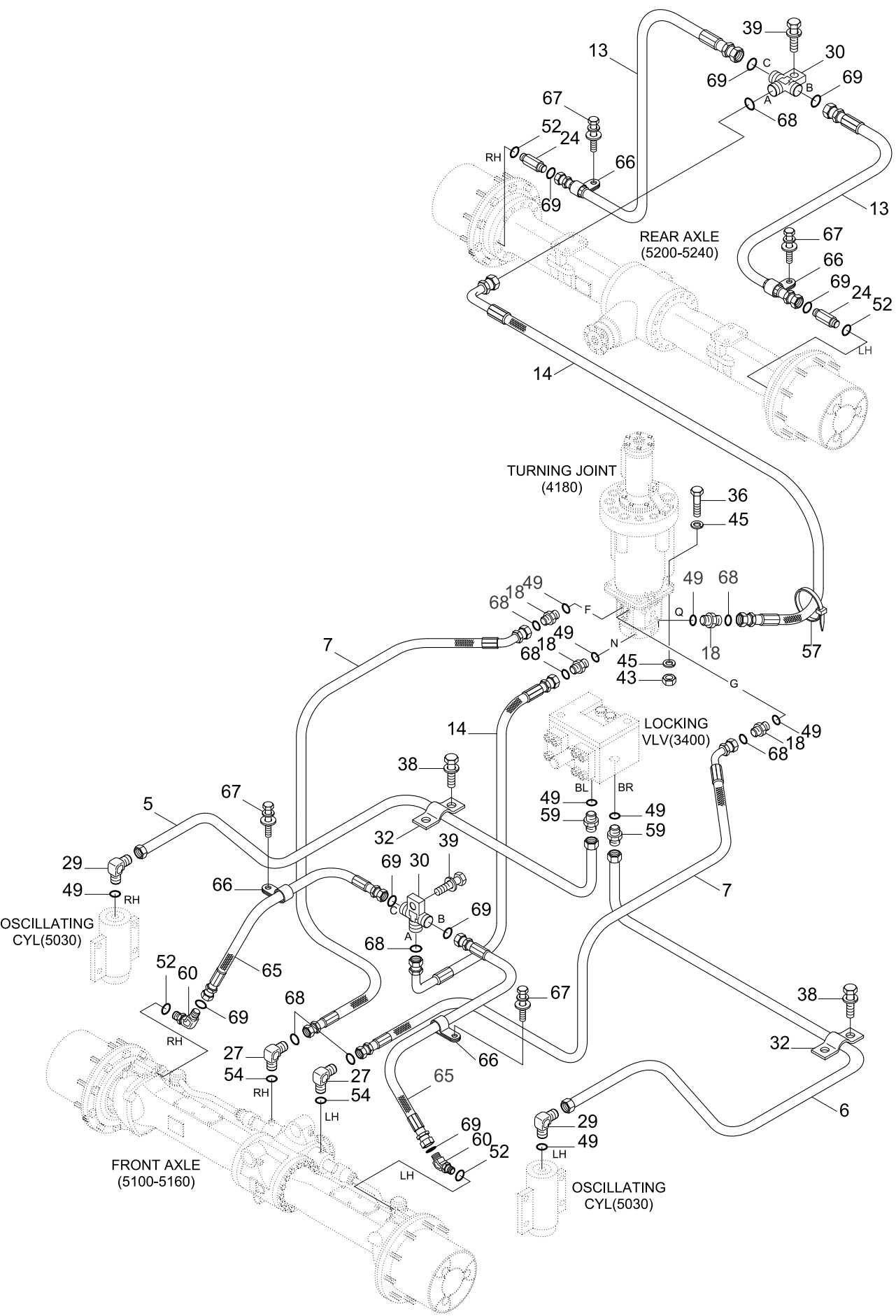
# ENGINE MOUNTING



| Item | Part_No       | IS | Ord | T | Description         | Qty | Serial_No | ITC | Remark |
|------|---------------|----|-----|---|---------------------|-----|-----------|-----|--------|
| 1    | 11N5-01020    |    |     |   | ENGINE ASSY         | 1   | #0001 -   | -   |        |
| 2    | 11N3-00020    |    |     |   | BRACKET-FRONT       | 1   |           |     |        |
| 3    | 11N3-00051    |    |     |   | BRACKET-REAR        | 2   |           |     |        |
| 4    | 11N5-03010    |    |     |   | BRACKET-ENGINE&COMP | 1   | - #0331   |     |        |
|      | 11N5-03030    |    |     |   | BRACKET-ENGINE&COMP | 1   | #0332 -   | B   |        |
| 6    | 11N4-00060-DA |    |     |   | WASHER-MOUNT        | 2   |           |     |        |
| 7    | 11N6-08250    |    |     |   | RUBBER-MOUNT        | 4   |           |     | FRONT  |
| 8    | 11N6-10450    |    |     |   | RUBBER-MOUNT        | 4   |           |     | REAR   |
| 9    | 11N6-00330    |    |     |   | FAN-RING            | 1   |           |     | STD    |
| 10   | S017-101206   |    |     |   | BOLT-HEX            | 4   |           |     |        |
| 11   | S017-20135D   |    |     |   | BOLT-HEX            | 2   |           |     |        |
| 12   | S037-123056   |    |     |   | BOLT-W/WASHER       | 16  |           |     |        |
| 13   | S403-10200B   |    |     |   | WASHER-PLAIN        | 4   |           |     |        |
| 14   | S441-200006   |    |     |   | WASHER-HARDENED     | 2   |           |     |        |
| 15   | 11N4-00150    |    |     |   | NUT-STOPPER         | 2   |           |     |        |
| 16   | 11N4-00160    |    |     |   | NUT-STOPPER         | 2   |           |     |        |
| 17   | S441-160006   |    |     |   | WASHER-HARDENED     | 4   |           |     |        |
| 18   | S017-16130D   |    |     |   | BOLT-HEX            | 2   |           |     |        |
| 19   | 11N5-03020    |    |     |   | FAN                 | 1   |           |     | OPTION |



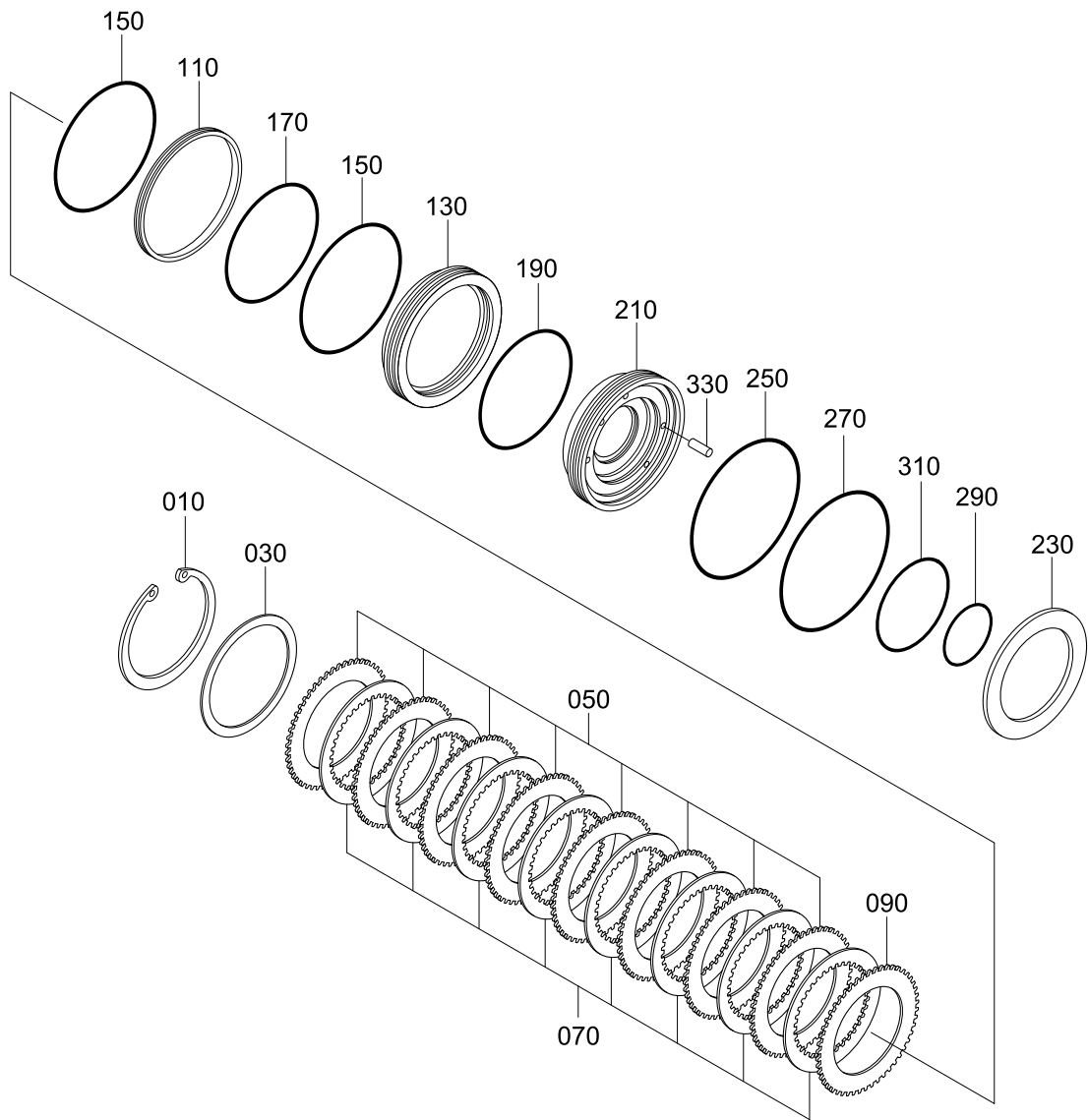
# LOWER HYDRAULIC PIPING 2



| Item | Part_No     | IS | Ord | T | Description         | Qty | Serial_No | ITC | Remark |
|------|-------------|----|-----|---|---------------------|-----|-----------|-----|--------|
| 5    | 31N5-40250  |    |     |   | PIPE ASSY           | 1   |           |     |        |
| 6    | 31N5-40260  |    |     |   | PIPE ASSY           | 1   |           |     |        |
| 7    | P933-066035 |    |     |   | HOSE ASSY-ORFS 0X90 | 2   |           |     |        |
| 13   | P913-047020 |    |     |   | HOSE ASSY-ORFS 0X0  | 2   |           |     |        |
| 14   | P933-064028 |    |     |   | HOSE ASSY-ORFS 0X90 | 2   |           |     |        |
| 18   | X500-110002 |    |     |   | CONNECTOR-ORFS      | 1   |           |     |        |
| 24   | X512-114514 |    |     |   | CONNECTOR-LONG,ORFS | 2   |           |     |        |
| 27   | X520-210004 |    |     |   | ELBOW-90,ORFS       | 2   |           |     |        |
| 29   | 31E3-3175   | 10 |     |   | ELBOW-90            | 2   |           |     |        |
| 30   | 31N5-41030  |    |     |   | TEE-MTG             | 2   |           |     |        |
| 32   | 31E4-3097   | 10 |     |   | STRAP               | 2   |           |     |        |
| 36   | S017-120456 |    |     |   | BOLT-HEX            | 4   |           |     |        |
| 38   | S035-081516 |    |     |   | BOLT-W/WASHER       | 4   |           |     |        |
| 39   | S037-103546 |    |     |   | BOLT-W/WASHER       | 2   |           |     |        |
| 43   | S205-121006 |    |     |   | NUT-HEX             | 4   |           |     |        |
| 45   | S411-120006 |    |     |   | WASHER-SPRING       | 8   |           |     |        |
| 49   | S631-014004 |    |     |   | O-RING              | 8   |           |     |        |
| 52   | Y161-014001 |    |     |   | O-RING              | 4   |           |     |        |
| 54   | Y161-018001 |    |     |   | O-RING              | 2   |           |     |        |
| 57   | S552-102370 |    |     |   | CLAMP-BAND          | 10  |           |     |        |
| 59   | 31E3-3113   | 20 |     |   | CONNECTOR           | 2   |           |     |        |
| 60   | X530-210001 |    |     |   | ELBOW-45            | 2   |           |     |        |
| 65   | P913-047023 |    |     |   | HOSE ASSY-ORFS 0X0  | 2   |           |     |        |
| 66   | S542-200002 |    |     |   | CLAMP-TUBE          | 4   |           |     |        |
| 67   | S035-081526 |    |     |   | BOLT-W/WASHER       | 4   |           |     |        |
| 68   | S621-011001 |    |     |   | O-RING              | 8   |           |     |        |

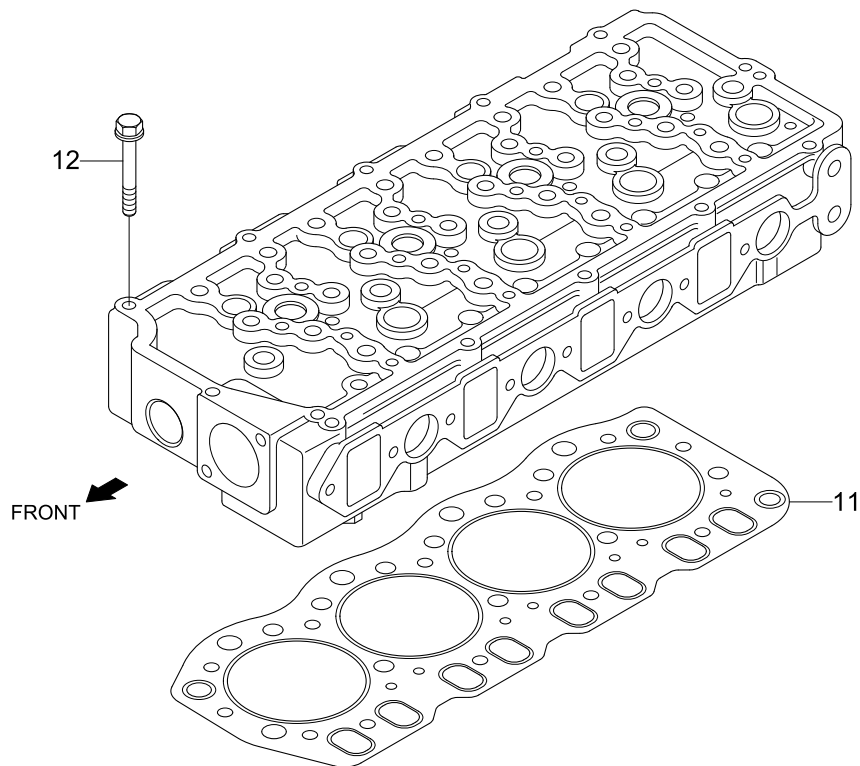
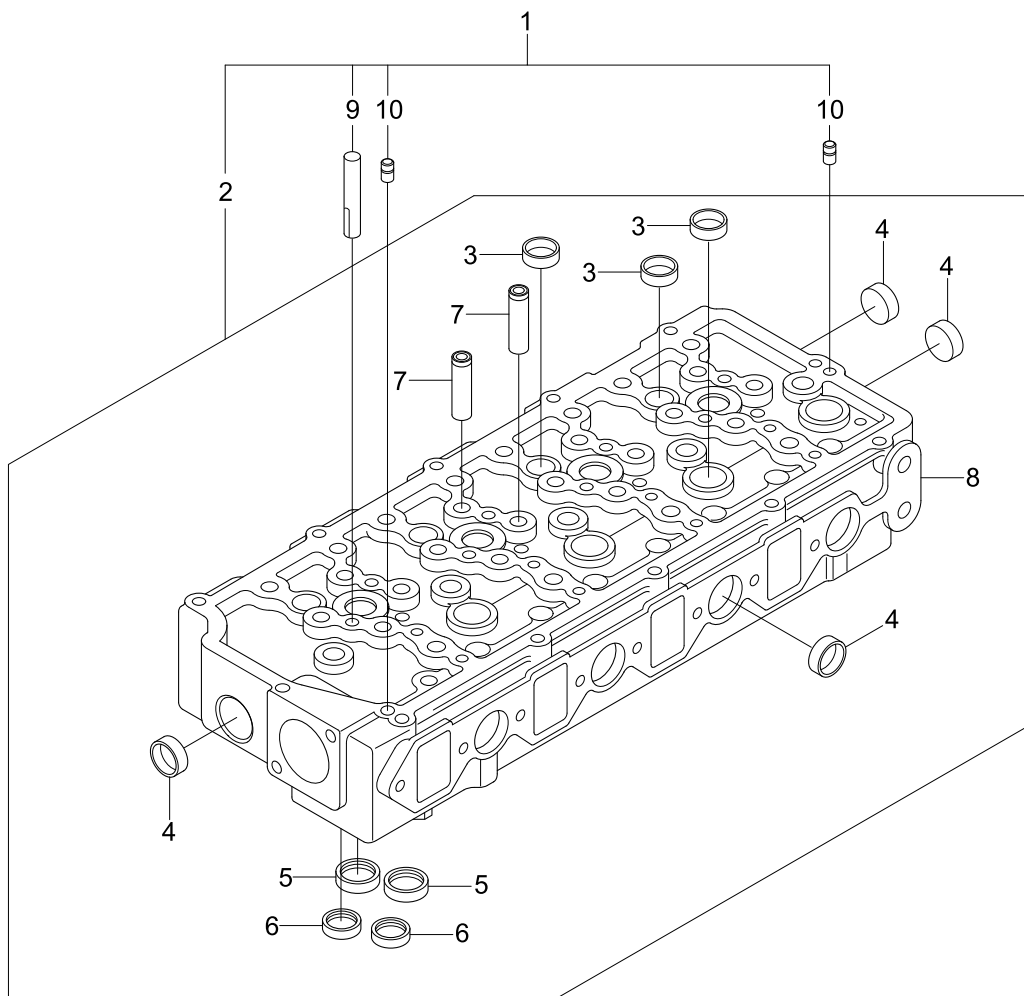
| Item | Part_No     | IS | Ord | T | Description | Qty | Serial_No | ITC | Remark |
|------|-------------|----|-----|---|-------------|-----|-----------|-----|--------|
| 69   | S621-012001 |    |     |   | O-RING      | 8   |           |     |        |

# TRANSMISSION MULTI-DISC BRAKE



| Item | Part_No    | IS | Ord | T | Description        | Qty | Serial_No | ITC | Remark |
|------|------------|----|-----|---|--------------------|-----|-----------|-----|--------|
| 010  | ZGAQ-00993 |    |     |   | RING-RETAINER      | 1   |           |     |        |
| 030  | ZGAQ-00992 |    |     |   | SHIM-END           | 1   |           |     |        |
| 050  | ZGAQ-01374 |    |     |   | DISC-O/CLUTCH(2.9) | 8   |           |     |        |
| 070  | ZGAQ-01001 |    |     |   | DISC-I/CLUTCH      | 8   |           |     |        |
| 090  | ZGAQ-00994 |    |     |   | DISC-O/CLUTCH(3.0) | 1   |           |     |        |
|      | ZGAQ-00996 |    |     |   | DISC-O/CLUTCH(3.3) | 1   |           |     |        |
|      | ZGAQ-01374 |    |     |   | DISC-O/CLUTCH(2.9) | 1   |           |     |        |
|      | ZGAQ-01375 |    |     |   | DISC-O/CLUTCH(2.8) | 1   |           |     |        |
|      | ZGAQ-00995 |    |     |   | DISC-O/CLUTCH(3.5) | 1   |           |     |        |
|      | ZGAQ-00997 |    |     |   | DISC-O/CLUTCH(3.4) | 1   |           |     |        |
|      | ZGAQ-00998 |    |     |   | DISC-O/CLUTCH(3.7) | 1   |           |     |        |
| 110  | ZGAQ-02014 |    |     |   | RING               | 1   |           |     |        |
| 130  | ZGAQ-02015 |    |     |   | RING-PRESSURE      | 1   |           |     |        |
| 150  | ZGAQ-02016 |    |     |   | O-RING             | 2   |           |     |        |
| 170  | ZGAQ-01367 |    |     |   | O-RING             | 1   |           |     |        |
| 190  | ZGAQ-02017 |    |     |   | GASKET             | 1   |           |     |        |
| 210  | ZGAQ-02018 |    |     |   | PISTON             | 1   |           |     |        |
| 230  | ZGAQ-02019 |    |     |   | SET-SPRING         | 1   |           |     |        |
| 250  | ZGAQ-02020 |    |     |   | GASKET             | 1   |           |     |        |
| 270  | ZGAQ-02021 |    |     |   | GASKET             | 1   |           |     |        |
| 290  | ZGAQ-02022 |    |     |   | GASKET             | 1   |           |     |        |
| 310  | ZGAQ-02023 |    |     |   | GASKET             | 1   |           |     |        |
| 330  | ZGAQ-02024 |    |     |   | PIN                | 2   |           |     |        |

# CYLINDER HEAD



| Item | Part_No    | IS | Ord | T | Description             | Qty | Serial_No | ITC | Remark      |
|------|------------|----|-----|---|-------------------------|-----|-----------|-----|-------------|
| 1    | XJAF-02244 |    |     |   | HEAD ASSY-CYLINDER      | 1   |           |     | INCL 2,9,10 |
| 2    | @          |    |     |   | .CYLINDER HEAD SUB ASSY | 1   |           |     | NOT         |
| 3    | XJAF-00569 |    |     |   | ..CAP-SEALING           | 8   |           |     |             |
| 4    | XJAF-01101 |    |     |   | ..CAP-SEALING           | 7   |           |     |             |
| 5    | XJAF-02561 |    |     |   | ..SEAT-VALVE INLET      | 8   | #0001 -   | -   |             |
| 6    | XJAF-02562 |    |     |   | ..SEAT-VALVE EXHAUST    | 8   | #0001 -   | -   |             |
| 7    | XJAF-02563 |    |     |   | ..GUIDE-VALVE           | 16  | #0001 -   | -   |             |
| 8    | @          |    |     |   | ..HEAD-CYLINDER         | 1   |           |     | NOT         |
| 9    | XJAF-02508 |    |     |   | .GUIDE-BRIDGE           | 8   | #0001 -   | -   |             |
| 10   | XJAF-02246 |    |     |   | .PIN-DOWEL              | 2   |           |     |             |
| 11   | XJAF-02481 |    |     |   | GASKET-CYLINDER HEAD    | 1   |           |     |             |
| 12   | XJAF-02247 |    |     |   | BOLT-CYLINDER HEAD      | 17  |           |     |             |

# VALVE MECHANISM

