

PARTS CATALOG

Fork Lift
HDF50/70-7S

Use the bookmarks for navigation inside the Parts book

Tech. Library <https://engine.od.ua>

H Y U N D A I

HDF50-7S / HDF70-7S

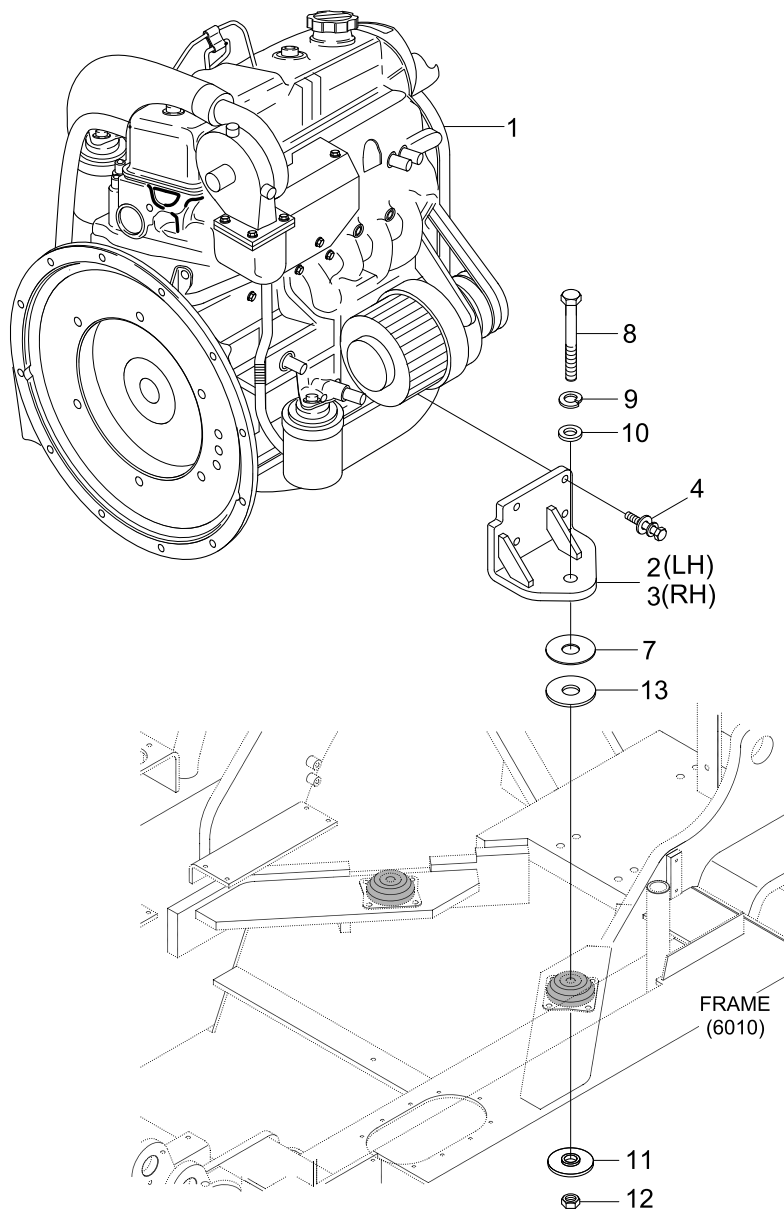
Page	Contents	Serial No	Revision No
1	ENGINE SYSTEM		
1010	ENGINE MOUNTING		2007.11.30 REV.7L
1020	AIR INTAKE SYSTEM		2005. 5.30 REV.5A
1030	EXHAUST SYSTEM		2007. 6.30 REV.7F
1031	EXHAUST SYSTEM(OPTION)		2007. 6.30 REV.7F
1040	COOLING SYSTEM(DRY BRAKES)		2008. 4.30 REV.8D
1041	COOLING SYSTEM(WET BRAKES)		2008. 4.30 REV.8D
1050	FUEL SYSTEM		2006. 7.31 REV.6G
1055	FUEL SYSTEM(AIRCON)		2007. 7.31 REV.7G
1060	HEATER(CABIN)		2008. 7.31 REV.8G
1061	HEATER(CABIN BUILT IN SECTIONS)		2006. 5.31 REV.6E
1070	AIR CONDITIONER(OPTION)		2010. 4.30 REV.10D
2	ELECTRIC SYSTEM		
2010	ELECTRIC 1(50-7S:-#0037,70-7S:-#0196)	- #0037	2006.12.31 REV.6M
2015	ELECTRIC 1(50-7S:#0038-,70-7S:#0197-)	#0038 -	2008. 9.30 REV.8J
2020	ELECTRIC 2		2008.12.31 REV.8M
2030	ELECTRIC 3		
2040	DASHBOARD HARNESS		2008. 9.30 REV.8J
2050	FRAME HARNESS		2008. 1.31 REV.8A
2060	T/M HARNESS		2008. 9.30 REV.8J
3	HYDRAULIC SYSTEM		
3010	2-SPOOL CONTROL LEVER		2006.10.31 REV.6K
3020	3-SPOOL CONTROL LEVER		2006.10.31 REV.6K
3030	4-SPOOL CONTROL LEVER		2006.10.31 REV.6K
3040	MAIN HYDRAULIC PIPING		2009.12.31 REV.9M
3050	TILT HYDRAULIC PIPING		2009.12.31 REV.9M
3060	STEERING HYDRAULIC PIPING(OLD)	- #0037	2006.12.31 REV.6M
3065	STEERING HYDRAULIC PIPING(NEW)	#0038 -	2007. 2.28 REV.7B
3066	HYD STEERING SUB ASSY(NEW)	#0038 -	2006.12.31 REV.6M
3080	BRAKE PIPING(DRY, EXPORT)		
3081	BRAKE PIPING(WET, KOREA)		2010. 6.30 REV.10F
3090	T/M COOLING SYSTEM(DRY, EXPORT)		2008. 9.30 REV.8J
3100	T/M & AXLE COOLING SYSTEM(WET, KOREA)		2008. 9.30 REV.8J
3A	HYDRAULIC COMPONENTS		
3A10	HYDRAULIC PUMP		
3A20	MAIN CONTROL VALVE(2-SPOOL)		
3A30	MAIN CONTROL VALVE(3-SPOOL)		
3A40	MAIN CONTROL VALVE(4-SPOOL)		
3A50	SPOOL SECTION ASSY 1		
3A60	SPOOL SECTION ASSY 2		
3A70	MAIN RELIEF VALVE ASSY		
3A90	STEERING UNIT		2006. 1.30 REV.6A
3B10	TILT CYLINDER		2006. 9.30 REV.6I
3B20	STEERING CYLINDER		2006. 6.30 REV.6F
3B30	PRIORITY VALVE		
3B40	BRAKE VALVE(DRY, EXPORT)		
3B41	BRAKE VALVE(WET, KOREA)		2006. 2.28 REV.6B
3B50	DOWN CONTROL VALVE		2008.11.30 REV.8L
4	POWER TRAIN SYSTEM		
4010	ENGINE CONNECTOR(OLD)		2008. 9.30 REV.8J
4020	CONVERTER(OLD)		2008. 9.30 REV.8J
4030	INPUT(OLD)		2008. 9.30 REV.8J
4040	GEARBOX HOUSING 1(OLD)		2008. 9.30 REV.8J
4050	GEARBOX HOUSING 2(OLD)		2008. 9.30 REV.8J
4060	COUPLING 1(OLD)		2008. 9.30 REV.8J
4070	COUPLING 2(OLD)		2008. 9.30 REV.8J
4080	COUPLING 3(OLD)		2008. 9.30 REV.8J
4090	COUPLING 4(OLD)		2008. 9.30 REV.8J
4100	COUPLING 5(OLD)		2008. 9.30 REV.8J

4110	OUTPUT(OLD)		2008. 9.30 REV.8J
4120	POWER TAKE-OFF(OLD)		2008. 9.30 REV.8J
4130	GEARSHIFT SYSTEM 1(OLD)		2008. 9.30 REV.8J
4140	GEARSHIFT SYSTEM 2(OLD)		2008. 9.30 REV.8J
4150	PRESSURE REGULATOR(OLD)		2008. 9.30 REV.8J
4160	PRESSURE OIL PUMP(OLD)		2008. 9.30 REV.8J
4170	IND TRANSMITTER(OLD)		2008. 9.30 REV.8J
4180	FILTER(OLD)		2008. 9.30 REV.8J
4190	OIL DIPSTICK(OLD)		2008. 9.30 REV.8J
4200	LOOSE PARTS(OLD)		2008. 9.30 REV.8J
4210	TRANSMISSION MOUNTING		2010. 1.29 REV.10A
4220	DRIVE AXLE(DRY, EXPORT)		
4230	WHEEL HUB(DRY, EXPORT)		
4240	WHEEL BRAKE(DRY, EXPORT)		2006. 5.31 REV.6E
4250	DRIVE AXLE 1(WET,OLD)		2007. 4.30 REV.7D
4260	DRIVE AXLE 2(WET,OLD)		2007. 4.30 REV.7D
4270	DRIVE AXLE 3(WET,OLD)		2007. 4.30 REV.7D
4280	DRIVE AXLE 4(WET,OLD)		2007. 4.30 REV.7D
4290	DRIVE AXLE 1(WET,NEW)		2009.11.30 REV.9L
4291	DRIVE AXLE 2(WET,NEW)		2007. 4.30 REV.7D
4292	DRIVE AXLE 3(WET,NEW)		2007.12.31 REV.7M
4310	ENGINE CONNECTOR(NEW)		2008. 9.30 REV.8J
4320	CONVERTER(NEW)		2008. 9.30 REV.8J
4330	INPUT(NEW)		2008. 9.30 REV.8J
4340	GEARBOX HOUSING 1(NEW)		2008. 9.30 REV.8J
4350	GEARBOX HOUSING 2(NEW)		2008. 9.30 REV.8J
4360	COUPLING 1(NEW)		2008. 9.30 REV.8J
4370	COUPLING 2(NEW)		2008. 9.30 REV.8J
4380	COUPLING 3(NEW)		2008. 9.30 REV.8J
4390	COUPLING 4(NEW)		2008. 9.30 REV.8J
4400	OUTPUT 1(NEW)		2008. 9.30 REV.8J
4410	OUTPUT 2(NEW)		2008. 9.30 REV.8J
4420	CONTROL UNIT(NEW)		2008. 9.30 REV.8J
4430	PRESSURE OIL PUMP(NEW)		2008. 9.30 REV.8J
4440	IND TRANSMITTER(NEW)		2008. 9.30 REV.8J
4450	TEMP SENSOR(NEW)		2008. 9.30 REV.8J
4460	FILTER(NEW)		2008. 9.30 REV.8J
4470	LOOSE PARTS(NEW)		2008. 9.30 REV.8J
5	CONTROL SYSTEM		
5010	STEERING AXLE		2006. 8.31 REV.6H
5020	FRONT & REAR WHEEL		2008. 7.31 REV.8G
5030	STEERING COLUMN		2006.12.31 REV.6M
5040	BRAKE & INCHING PEDAL		2008. 9.30 REV.8J
5050	PARKING BRAKE(DRY, EXPORT, OLD)	- #0037	2006.12.31 REV.6M
5051	PARKING BRAKE(WET, KOREA, OLD)	- #0037	2006.12.31 REV.6M
5055	PARKING BRAKE(DRY, EXPORT, NEW)	#0038 -	2007.11.30 REV.7L
5056	PARKING BRAKE(WET, KOREA, NEW)	#0038 -	2008. 1.31 REV.8A
5060	ACCELERATOR LINKAGE		
6	STRUCTURE		
6010	FRAME SUB ASSY		2008. 9.30 REV.8J
6020	OUTER PANEL 1(OLD)	- #0037	2006.12.31 REV.6M
6025	OUTER PANEL 1(NEW)	#0038 -	2006.12.31 REV.6M
6030	OUTER PANEL 2(OLD)	- #0037	2006.12.31 REV.6M
6031	OUTER PANEL 2(NEW)	#0038 -	2007. 7.31 REV.7G
6035	BODY SUB ASSY(NEW)	#0038 -	2006.12.31 REV.6M
6040	HEAD GUARD SUB ASSY(OLD)		2006.12.31 REV.6M
6041	HEAD GUARD SUB ASSY(NEW)		2007.11.30 REV.7L
6042	OVER HEAD GUARD(NEW)	#0038 -	2007.11.30 REV.7L
6043	HEAD GUARD TOTAL SUB(NEW)	#0038 -	2007.11.30 REV.7L
6050	CABIN 1(SINWHA)		2007.11.30 REV.7L
6051	CABIN 1(SAMWOO)		2007.11.30 REV.7L
6060	CABIN 2(SINWHA)		2010. 4.30 REV.10D

6061	CABIN 2(SAMWOO)		2007.11.30 REV.7L
6070	CABIN 3		2005.12.31 REV.5M
6080	COUNTERWEIGHT		2007. 7.31 REV.7G
6090	CABIN 1(BUILT IN SECTIONS)		2006. 5.31 REV.6E
6100	CABIN 2(BUILT IN SECTIONS)		2006. 5.31 REV.6E
6110	CABIN 3(BUILT IN SECTIONS)		2006. 5.31 REV.6E
6120	CABIN SUB MOUNTING(NEW)		2010. 4.30 REV.10D
6130	CABIN TOTAL SUB ASSY(NEW)		2007.11.30 REV.7L
7	ATTACHMENT		
7010	OUTER MAST(V-MAST)		2008.11.30 REV.8L
7020	INNER MAST(V-MAST)		2008.11.30 REV.8L
7030	MAST HYDRAULIC PIPING(V-MAST)		2007.11.30 REV.7L
7040	CARRIAGE & BACKREST(V-MAST,HOOK)		2008.11.30 REV.8L
7050	CARRIAGE & BACKREST(V-MAST,SHAFT)		2010. 6.30 REV.10F
7051	INTEGRAL FORK POSITIONER(V-MAST,5.0TON)		2008.11.30 REV.8L
7052	INTEGRAL FORK POSITIONER(V-MAST,7.0TON)		2010. 6.30 REV.10F
7060	FORKS		
7061	FORKS(INTEGRAL FORK POSITIONER)		2008. 7.31 REV.8G
7070	LIFT CYLINDER(V-MAST)		2006. 8.31 REV.6H
7080	3-SPOOL HYDRAULIC PIPING(V-MAST)		2005. 6.30 REV.5A
7090	4-SPOOL HYDRAULIC PIPING(V-MAST)		2005. 6.30 REV.5A
7110	OUTER MAST(TF-MAST)		2008.11.30 REV.8L
7120	MIDDLE MAST(TF-MAST)		2008.11.30 REV.8L
7130	INNER MAST(TF-MAST)		2008.11.30 REV.8L
7140	MAST HYDRAULIC PIPING(TF-MAST)		2007.11.30 REV.7L
7150	CARR & BACKREST(TF-MAST,HOOK)		2008.11.30 REV.8L
7160	CARR & BACKREST(TF-MAST,SHAFT)		2010. 6.30 REV.10F
7161	INTEGRAL FORK POSITIONER(TF-MAST,5.0TON)		2008.11.30 REV.8L
7162	INTEGRAL FORK POSITIONER(TF-MAST,7.0TON)		2008.11.30 REV.8L
7170	LIFT CYLINDER(TF-MAST)		
7180	FREE LIFT CYLINDER(TF-MAST)		
7190	3-SPOOL HYDRAULIC PIPING(TF-MAST)		2005. 6.30 REV.5A
7200	4-SPOOL HYDRAULIC PIPING(TF-MAST)		2008. 4.30 REV.8D
7210	4-SPOOL INTERNAL HYD PIPING(TF-MAST)		2005. 6.30 REV.5A
7300	SIDE SHIFT(CASCADE)		
8	OTHERS		
8010	DECALS(ENGLISH)		2010. 1.31 REV.10A
8011	DECALS(ENGLISH)		2010. 1.31 REV.10A
8015	DECALS(KOREAN)		2010. 1.31 REV.10A
8020	TOOL SET		
9	ENGINE BASE		
9010	CYLINDER HEAD		
9020	VALVE MECHANISM		
9030	ROCKER COVER & BREATHER		
9040	CAM SHAFT		
9050	CRANK CASE ASSY		
9060	MAIN BEARING		
9070	TIMING GEAR CASE		2008. 6.30 REV.8F
9080	ELECTRIC PARTS		
9090	OIL PAN		
9100	PISTON & CONNECTING ROD		
9110	CRANKSHAFT & FLYWHEEL		
9120	TIMING GEAR		
9130	INLET & EXHAUST SYSTEM		
9140	TURBO CHARGER		
9150	OIL PUMP & STRAINER		
9160	OIL PIPE(FOR TURBOCHARGER)		
9170	OIL COOLER		
9180	OIL FILTER		2008. 3.31 REV.8C
9190	COOLING SYSTEM		
9200	FUEL SYSTEM		
9210	NOZZLE		

9220	INJECTION PUMP(PART I)		
9230	INJECTION PUMP(PART II)		
9240	FUEL FILTER		
9250	STARTER(24V-5.0KW)		
9260	ALTERNATOR(24V-50A)	- #0001	2009. 3.31 REV.9C
9270	INSTRUMENTS PARTS		
9280	OVERHAUL GASKET KIT		
9290	REAR PLATE		2008. 6.30 REV.8F

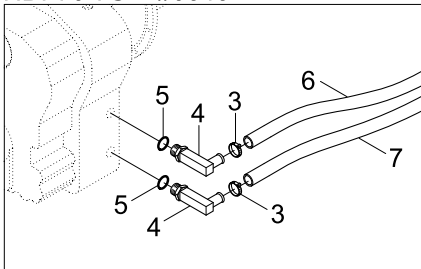
ENGINE MOUNTING



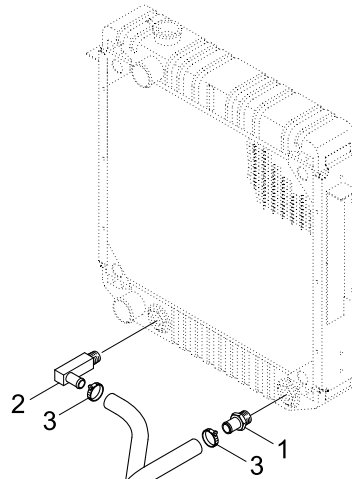
Item	Part_No	IS	Ord	T	Description	Qty	Serial_No	ITC	Remark
1	11FQ-00011				ENGINE ASSY	1	- #0026		HDF50-7S
	11FQ-00012				ENGINE ASSY	1	#0027 - #0059	B	HDF50-7S
	11FQ-00013				ENGINE ASSY	1	#0060 -	D	HDF50-7S
	11FQ-00011				ENGINE ASSY	1	- #0197		HDF70-7S
	11FQ-00012				ENGINE ASSY	1	#0198 - #0330	B	HDF70-7S
	11FQ-00013				ENGINE ASSY	1	#0331 -	D	HDF70-7S
2	11FQ-60010				BRACKET-LH	1			
3	11FQ-60020				BRACKET-RH	1			
4	S037-123526				BOLT-W/WASHER	8			
7	FDE0100120				WASHER-REBOUND	2			
8	S017-161306				BOLT-HEX	2			
9	S411-160006				WASHER-SPRING	2			
10	S403-161006				WASHER-PLAIN	2			
11	FDE0100110				WASHER-OVERLOAD	2			
12	FBC0100300				U-NUT	2			
13	F31330010				SHIM(1.0T)	4			

[Item List] - Print Date : 2022.07.22 11:07

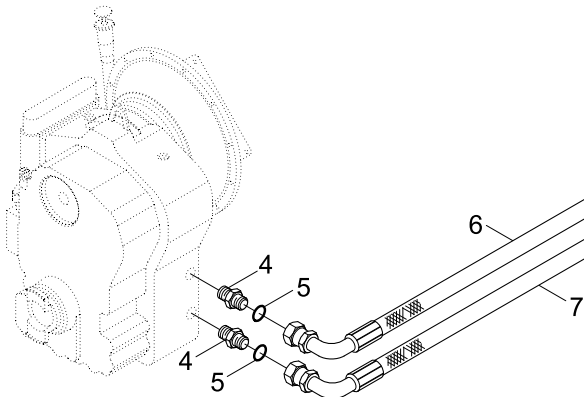
SERIAL NO.
HDF50-7S : #0114
HDF70-7S : #0646



RADIATOR
(1040)



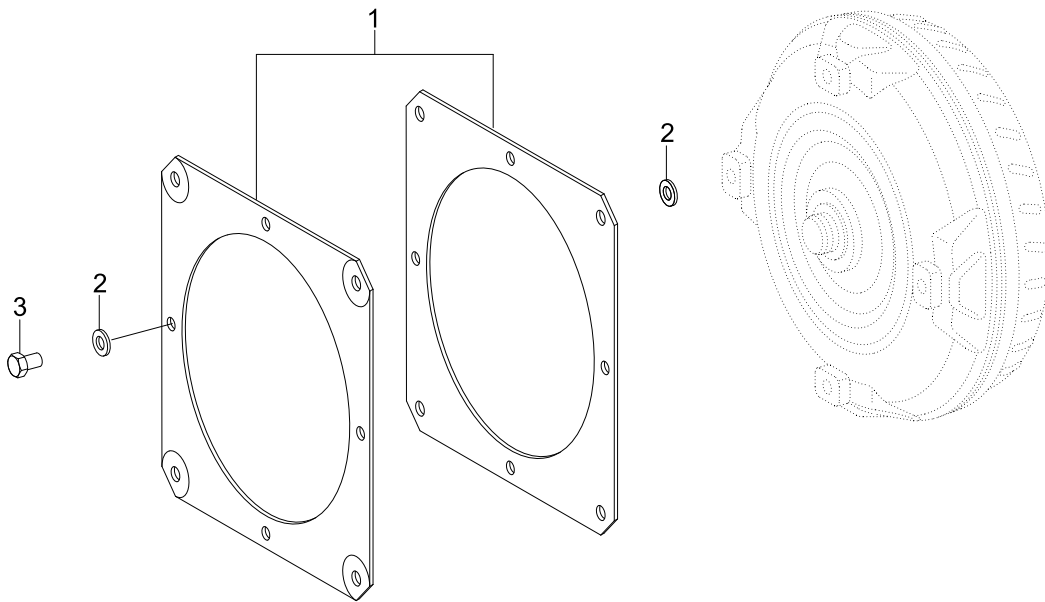
TRANSMISSION
(4010~4200)



Item	Part_No	IS	Ord	T	Description	Qty	Serial_No	ITC	Remark
1	F14300400				CONNECTOR	1			
2	81FQ-80040				CONNECTOR	1			
3	S572-360006				CLAMP-HOSE WIRE TYPE	4			
4	81FQ-80010				CONNECTOR	2	- #0114		HDF50-7S
	81FQ-85141				CONNECTOR	2	#0115 -	D	HDF50-7S
	81FQ-80010				CONNECTOR	2	- #0646		HDF70-7S
	81FQ-85141				CONNECTOR	2	#0647 -	D	HDF70-7S
5	S611-030001				O-RING	2	- #0114		HDF50-7S
	S611-019001				O-RING(INCH)	2	#0115 -	D	HDF50-7S
	S611-030001				O-RING	2	- #0646		HDF70-7S
	S611-019001				O-RING(INCH)	2	#0647 -	D	HDF70-7S
6	81FQ-80020				T/M HOSE ASSY	1	- #0114		HDF50-7S
	81FQ-80630				HOSE ASSY	1	#0115 -	D	HDF50-7S
	81FQ-80020				T/M HOSE ASSY	1	- #0646		HDF70-7S
	81FQ-80630				HOSE ASSY	1	#0647 -	D	HDF70-7S
7	81FQ-80030				T/M HOSE ASSY	1	- #0114		HDF50-7S
	81FQ-80620				HOSE ASSY	1	#0115 -	D	HDF50-7S
	81FQ-80030				T/M HOSE ASSY	1	- #0646		HDF70-7S
	81FQ-80620				HOSE ASSY	1	#0647 -	D	HDF70-7S
8	81FF-80120				CLAMP-TUBE	1			
9	S035-081526				BOLT-W/WASHER	1			

[Item List] - Print Date : 2022.07.22 11:07

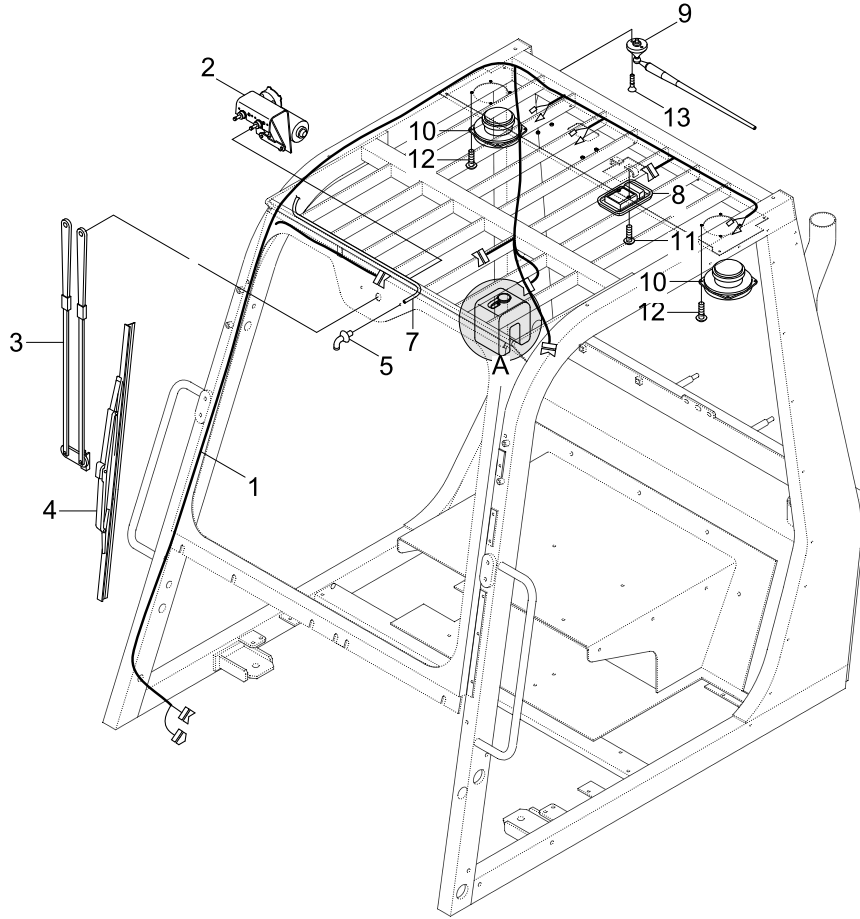
SERIAL NO.
HDF50-7S : #0115-
HDF70-7S : #0647-



Item	Part_No	IS	Ord	T	Description	Qty	Serial_No	ITC	Remark
*	81FQ-30310				TM(3WG94) WITH DIPSTICK	1	#0115 -	-	HDF50-7S
					TM(3WG94) WITH DIPSTICK	1	#0647 -	-	HDF70-7S
1	ZGAQ-02993				.DIAPHRAGM	2			
2	ZGAQ-02994				.WASHER	8			
3	ZGAQ-02996				.HEXAGON SCREW	4			

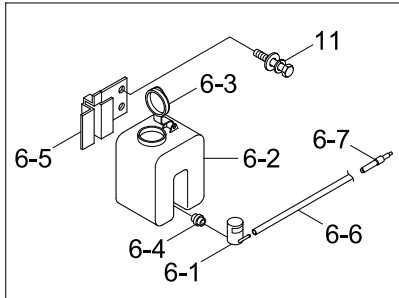
[Item List] - Print Date : 2022.07.22 12:07

CABIN 3(BUILT IN SECTIONS)



O.H.G SUB ASSY
(6051)

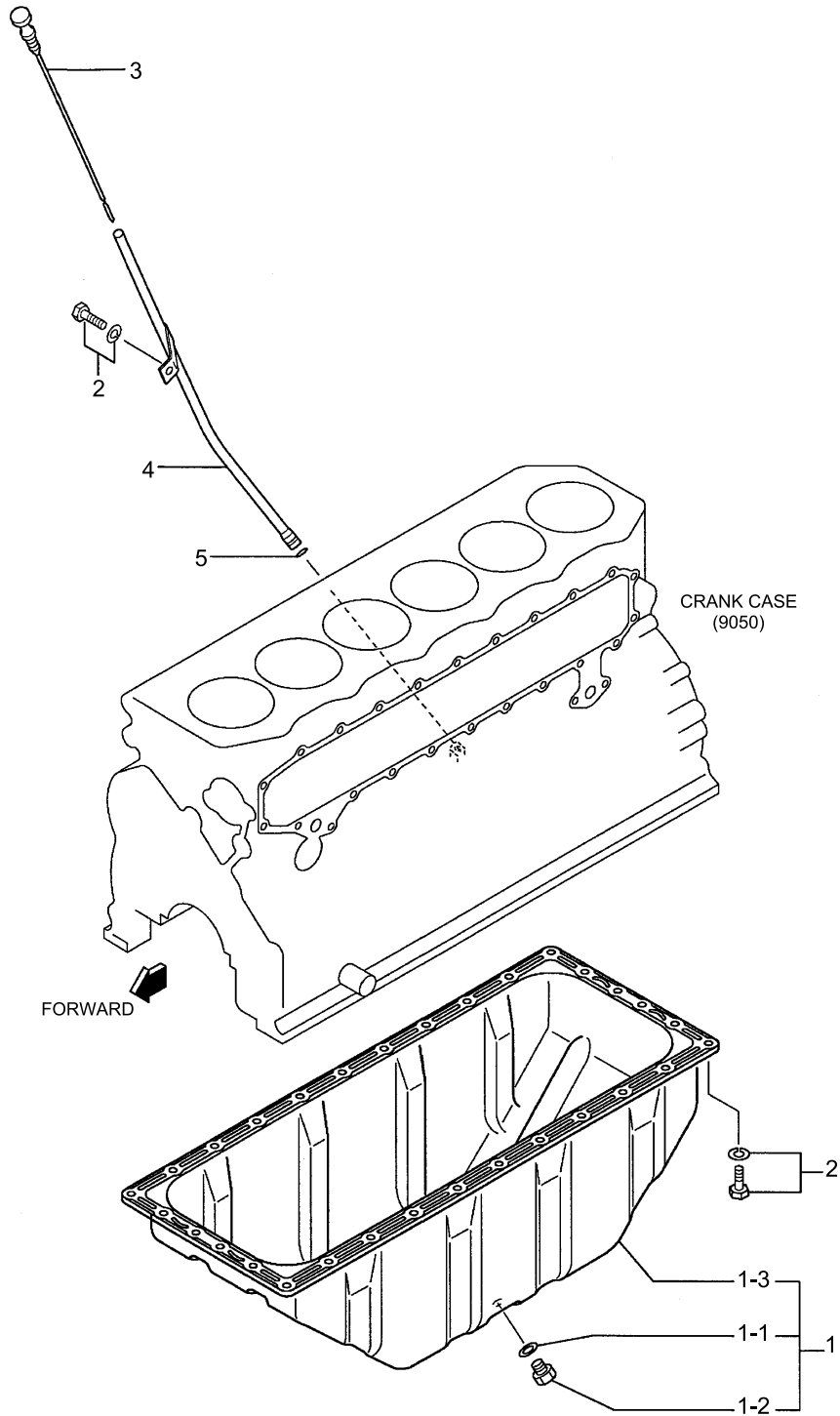
DETAIL A



Item	Part_No	IS	Ord	T	Description	Qty	Serial_No	ITC	Remark
*	20FQ-10951				ELEC CABIN ASSY	1	#0016 -	-	HDF50-7S
					ELEC CABIN ASSY	1	#0104 -	-	HDF70-7S
1	21FQ-11921				.HARNES-CABIN	1			
2	21L6-31000				.WIPER MOTOR-REAR	1			
3	21L6-31010				.WIPER ARM-REAR	1			
4	21FQ-11930				.WIPER BLADE	1			
5	24L3-41080				.VALVE-WIPER	1			
6	21EL-00160				.TANK-WASHER	1			
6-1	21EL-00170				..MOTOR PUMP ASSY	1			
6-2	21EL-00180				..TANK	1			
6-3	21EL-00190				..CAP	1			
6-4	21EL-00200				..PUSH-RUBBER	1			
6-5	21E6-60030				..BRACKET	1			
6-6	21E1-60350				..HOSE-WASHER TANK	1			
6-7	21E1-49510				..NOZZLE-WASHER TANK	1			
7	21EM-10890				.HOSE-WASHER TANK	1			
8	21EH-0011				.LAMP-ROOM	1			
8-1	21E1-49690				..BULB-ROOM LAMP	1			
9	21N6-10410				.ANTENNA	1			
10	21LB-20401				.SPEAKER ASSY	2			
11	S131-051546				.SCREW-W/WASHER	4			
12	S161-040206				.SCREW-RD HD	8			
13	S151-040156				.SCREW-TAPPING	2			
14	S151-040156				.SCREW-TAPPING	2			

[Item List] - Print Date : 2022.07.22 12:07

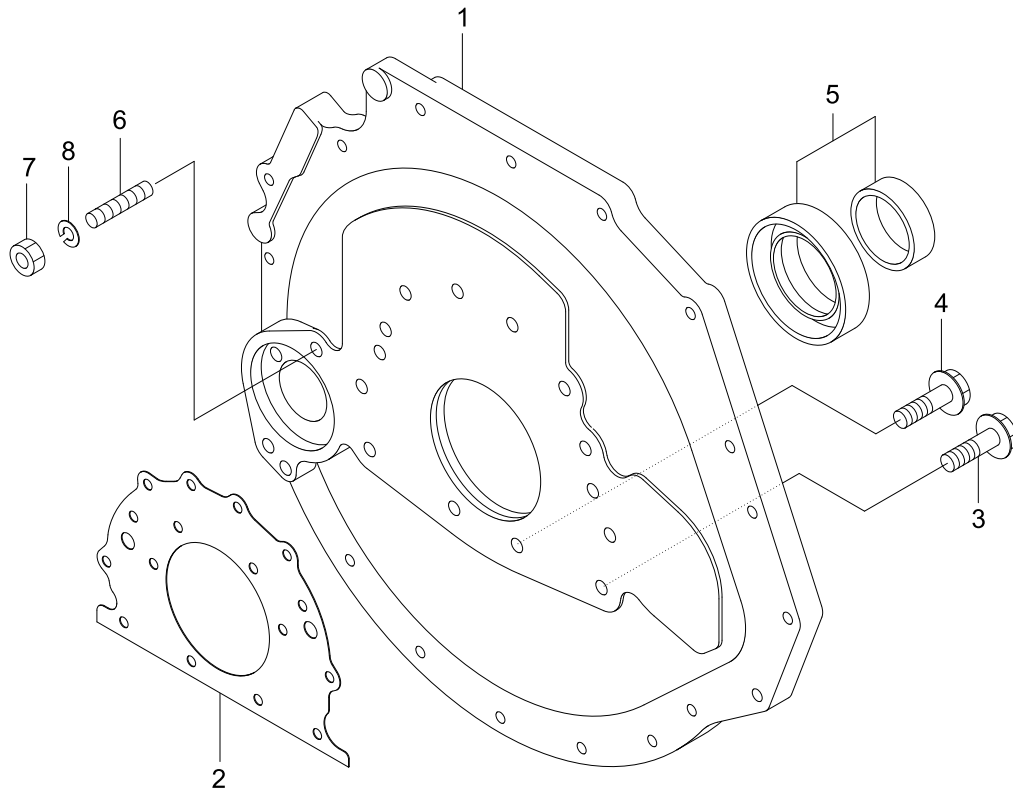
OIL PAN



Item	Part_No	IS	Ord	T	Description	Qty	Serial_No	ITC	Remark
1	XJAF-00641				OIL PAN ASSY	1			
1-1	XJAF-00642				.GASKET	1			
1-2	XJAF-00643				.PLUG-DRAIN	1			
N1-3	@				.PAN-OIL	1			NOT
2	XJAF-00185				BOLT-W/WASHER	31			
3	XJAF-00644				GAGE-OIL LEVEL	1			
4	XJAF-00645				GUIDE-OIL LEVEL GAGE	1			
5	XJAF-00276				O-RING	1			
N	@				NOT INDIVIDUALLY SUPPLIED	AR			NOT

[Item List] - Print Date : 2022.07.22 13:07

REAR PLATE



Item	Part_No	IS	Ord	T	Description	Qty	Serial_No	ITC	Remark
1	XJAF-02595				PLATE-REAR	1			
2	XJAF-02596				GASKET-REAR	1			
3	XJAF-02597				BOLT-FLANGE	10			
4	XJAF-02598				BOLT-FLANGE	2			
5	XJAF-00639				SEAL ASSY-OIL	1			
6	XJAF-02599				STUD	2			
7	XJAF-00260				NUT	2			
8	XJAF-00246				WASHER-SPRING	2			

[Item List] - Print Date : 2022.07.22 14:07