

PARTS CATALOG

**Crawler EXCAVATOR
R140LC-7**

Use the bookmarks for navigation inside the Parts book

Tech. Library <https://engine.od.ua>

HYUNDAI

Crawler Excavator R140LC-7

Page	Contents	Serial_No	Revision_No
1	ENGINE SYSTEM		
1010	ENGINE MOUNTING		2010. 6.30 REV.10F
1020	ENGINE CONTROL SYSTEM(-#1000)	- #1000	2003. 2.28 REV.3
1025	ENGINE CONTROL SYSTEM(#1001-#1494)	#1001 - #1494	2004.10.10 REV.5
1026	ENGINE CONTROL SYSTEM(#1495-, TIER II)	#1495 -	2009. 4.22 REV.9D
1030	AIR INTAKE SYSTEM		2006.12.31 REV.6M
1040	EXHAUST SYSTEM(-#1494)	- #1494	2004.10.10 REV.5
1045	EXHAUST SYSTEM(#1495-)	#1495 -	2006. 2.28 REV.6B
1050	COOLING SYSTEM(-#1000)	- #1000	2003. 2.28 REV.3
1055	COOLING SYSTEM(#1001-#1494, TIER II)	#1001 - #1494	2004.10.10 REV.5
1056	COOLING SYSTEM(#1495-, TIER II)	#1495 -	2008. 8.31 REV.8H
1060	RADIATOR ASSY(-#1000)	- #1000	2003. 2.28 REV.3
1065	RADIATOR ASSY(#1001-#1494, TIER II)	#1001 - #1494	2004.10.10 REV.5
1066	RADIATOR ASSY(#1495-, TIER II)	#1495 -	2005.11.30 REV.5L
1070	FUEL SYSTEM(-#1494)	- #1494	2006.12.31 REV.6M
1075	FUEL SYSTEM(#1495-)	#1495 -	2009. 9. 1 REV.9J
1080	FUEL TANK		2009. 10.30 REV.9K
1100	AIRCON & HEATER MOUNTING		2010. 6.30 REV.10F
1110	AIRCON & HEATER UNIT(-#2124)	- #2124	2006. 4.30 REV.6D
1115	AIRCON & HEATER UNIT(#2125-)	#2125 -	2010. 6.30 REV.10E
1120	AIR CONDITIONER MOUNTING		2010. 6.30 REV.10F
1130	AIR CONDITIONER UNIT(-#1277)	- #1277	2004. 2.28 REV.4
1135	AIR CONDITIONER UNIT(#1278-)	#1278 -	2010. 6.30 REV.10F
1140	HEATER MOUNTING		2008. 4.30 REV.8D
1150	HEATER UNIT(-#2124)	- #2124	2006. 4.30 REV.6D
1155	HEATER UNIT(#2125-)	#2125 -	2006. 4.30 REV.6D
1160	AIRCON & HEATER MOUNTING(AUTO)		2010. 6.30 REV.10F
1170	AIRCON & HEATER UNIT-FATC		2010. 6.30 REV.10F
1200	PRE HEATING GROUP(#2735-)	#2735 -	2007. 5.31 REV.7E
2	ELECTRIC SYSTEM		
2010	RH ELECTRIC		2008. 11.30 REV.8L
2020	LH ELECTRIC(-#1000)	- #1000	2003. 2.28 REV.3
2025	LH ELECTRIC(#1001-, TIER II)	#1001 -	2008. 11.30 REV.8L
2030	BOOM ELECTRIC		2008. 11.30 REV.8L
2035	BOOM ELECTRIC(#0234-, ADJUST BOOM)	#0234 -	2008. 11.30 REV.8L
2040	ENGINE ELECTRIC(-#1000)	- #1000	2004. 2.28 REV.4
2045	ENGINE ELECTRIC(#1001-, TIER II)	#1001 -	2006. 3.31 REV.6C
2050	ELECTRIC BOX		2009. 8.17 REV.9H
2060	CAB ELECTRIC 1		2010. 2.28 REV.10B
2070	CAB ELECTRIC 2		2010. 2.28 REV.10B
2071	CLUSTER		2008. 4.30 REV.8D
2072	CLUSTER(OPT, #2936-)	#2936 -	2008. 4.30 REV.8D
2074	CAB ELECTRIC 2(OPT, #2936-)	#2936 -	2010. 2.28 REV.10B
2080	CAB ELECTRIC 3		2009. 4.24 REV.9D
2085	ELEC CAB LAMP SUB ASSY(OPTION, #2792-)	#2792 -	2008. 10.31 REV.8K
2090	FUSE BOX		2004.10.10 REV.5
2100	FUEL FILLER PUMP(-#2998)	- #2998	2008. 11.30 REV.8L
2101	FUEL FILLER PUMP(#2999-)	#2999 -	2008. 11.30 REV.8L
3	HYDRAULIC SYSTEM		
3010	PUMP MOUNTING		2006. 1.31 REV.6A
3020	HYDRAULIC TANK		2006. 6.30 REV.6F
3100	UPPER HYD PIPING(BASE, -#1000)	- #1000	2004. 2.28 REV.4
3105	UPPER HYD PIPING(BASE, #1001-)	#1001 -	2006. 5.31 REV.6E
3110	UPPER HYD PIPING(TRAVEL)		2005. 8.31 REV.5H
3120	UPPER HYD PIPING(ATTACH)		2004.11.10 REV.6
3130	UPPER HYD PIPING 1(ADJUST BM, #0234-)	#0234 -	2005. 8.31 REV.5H
3140	UPPER HYD PIPING 2(ADJUST BM, #0234-)	#0234 -	2007.10.31 REV.7K
3160	UPPER HYD PIPING(BASE, STD, #1602-)	#1602 -	2008. 6.30 REV.8F
3170	UPPER HYD PIPING(TRAVEL, STD, #1602-)	#1602 -	2004.11.10 REV.6

3180	UPPER HYD PIPING(ATTACH, STD, #1602-)	#1602 -	2005. 8.31 REV.5H
3190	UPPER HYD PIPING(BASE, 2-BLOCK, #2680-)	#2680 -	2008. 6.30 REV.8F
3191	UPPER HYD PIPING(TRAVEL,2-BLOCK, #2680-)	#2680 -	2007. 4.30 REV.7D
3192	UPPER HYD PIPING(TRAVEL,2-BLOCK, #2680-)	#2680 -	2007. 4.30 REV.7D
3200	PILOT HYD PIPING(CNTL 1, OPT)		2004.11.10 REV.6
3210	PILOT HYD PIPING(CNTL 2, OPT)		2004.11.10 REV.6
3220	PILOT HYD PIPING(CNTL 3, OPT)		2004.11.10 REV.6
3230	PILOT HYD PIPING(BASE 1, OPT)		2004.11.10 REV.6
3240	PILOT HYD PIPING(BASE 2, OPT)		2004.11.10 REV.6
3250	PILOT HYD PIPING(BASE 3, OPT)		2004.11.10 REV.6
3260	PILOT HYD PIPING(BASE 4, OPT)		2004.11.10 REV.6
3270	PILOT HYD PIPING(ADJUST BOOM, #0234-)	#0234 -	2004.10.10 REV.5
3280	PILOT HYD PIPING(CNTL 1, STD, #1602-)	#1602 -	2007. 2.28 REV.7B
3281	PILOT HYD PIPING(CNTL 2, STD, #1602-)	#1602 -	2007. 2.28 REV.7B
3282	PILOT HYD PIPING(CNTL 3, STD, #1602-)	#1602 -	2004.11.10 REV.6
3283	PILOT HYD PIPING(BASE 1, STD, #1602-)	#1602 -	2004.11.10 REV.6
3284	PILOT HYD PIPING(BASE 2, STD, #1602-)	#1602 -	2006. 7.31 REV.6G
3285	PILOT HYD PIPING(BASE 3, STD, #1602-)	#1602 -	2004.11.10 REV.6
3290	PILOT HYD PIPING(BASE 1,2-BLOCK, #2680-)	#2680 -	2007. 4.30 REV.7D
3291	PILOT HYD PIPING(BASE 2,2-BLOCK,#2680-)	#2680 -	2008. 6.30 REV.8F
3292	PILOT HYD PIPING(BASE 3,2-BLOCK, #2680-)	#2680 -	2007. 4.30 REV.7D
3293	PILOT HYD PIPING(BASE 4,2-BLOCK,#2680-)	#2680 -	2008. 6.30 REV.8F
3294	PILOT HYD PIPING(BASE 5,2-BLOCK, #2680-)	#2680 -	2007. 4.30 REV.7D
3295	PILOT HYD PIPING(BASE 6,2-BLOCK, #2680-)	#2680 -	2007. 4.30 REV.7D
3300	TRAVEL HYDRAULIC PIPING		2004.10.10 REV.5
3310	TRAVEL HYD PIPING(# 0239-#1082,LCM-7)	#0239 - #1082	2004.10.10 REV.5
3311	TRAVEL HYD PIPING(#1083-, LCM-7)	#1083 -	2009. 3.30 REV.9C
3400	BOOM HYD PIPING(4.6M, STD, -#1000)	- #1000	2004. 2.28 REV.4
3405	BOOM HYD PIPING(4.6M, STD, #1001-)	#1001 -	2004.11.10 REV.6
3410	BOOM GREASE LUB SYSTEM(4.6M)		2004.11.10 REV.6
3420	BOOM SAFETY LOCK SYSTEM		2008. 6.30 REV.8F
3430	QUICK CLAMP HYD PIPING(-#1370)	- #1370	2006. 2.28 REV.6B
3431	QUICK CLAMP HYD PIPING(#1371-)	#1371 -	2008. 8.31 REV.8H
3440	BOOM HYD PIPING(4.1M, -#1000)	- #1000	2004. 2.28 REV.4
3445	BOOM HYD PIPING(4.1M, #1001-)	#1001 -	2004.11.10 REV.6
3450	BOOM GREASE LUB SYSTEM(4.1M)		2004.11.10 REV.6
3460	BOOM HYD PIPING(ADJUST BOOM, #0234-)	#0234 -	2008. 6.30 REV.8F
3470	BOOM GREASE LUB SYS(ADJ/BOOM, #0234-)	#0234 -	2008. 6.30 REV.8F
3480	BOOM HYD PIPING(4.6M, STD, #1602-)	#1602 -	2008. 6.30 REV.8F
3485	BOOM GREASE LUB SYSTEM(4.6M,STD, #1602-)	#1602 -	2008. 6.30 REV.8F
3490	BOOM HYD PIPING(4.1M, #1602-)	#1602 -	2008. 6.30 REV.8F
3495	BOOM GREASE LUB SYSTEM(4.1M, #1602-)	#1602 -	2008. 6.30 REV.8F
3500	ARM HYD PIPING(2.5M, STD)		2005. 8.31 REV.5H
3510	ARM HYD PIPING(3.0M, LONG)		2005. 8.31 REV.5H
3520	ARM SAFETY LOCK SYSTEM		2008. 8.31 REV.8H
3600	DOZER HYD PIPING(UPPER)		2005. 1.31 REV.5A
3610	DOZER HYD PIPING(LOWER)		2008. 6.30 REV.8F
3700	SINGLE ACTING HYD PIPING KIT 1		2004.12.31 REV.7
3710	SINGLE ACTING HYD PIPING KIT 2		2004.12.31 REV.7
3711	SINGLE ACTING HYD PIPING KIT 3(#1016-)	#1016 -	2004.10.10 REV.5
3712	SINGLE ACTING HYD PIPING KIT 4(#1016-)	#1016 -	2004.10.10 REV.5
3713	SINGLE ACTING HYD PIPING KIT 5	#1602 -	2004.12.31 REV.7
3714	SINGLE ACTING HYD PIPING KIT 6	#1602 -	2004.12.31 REV.7
3720	D/ACTING HYD PIPING KIT 1(-#1601)	- #1601	2004.12.31 REV.7
3721	D/ACTING HYD PIPING KIT 1(#1602-)	#1602 -	2004.12.31 REV.7
3730	D/ACTING HYD PIPING KIT 2(-#1601)	- #1601	2004.12.31 REV.7
3731	D/ACTING HYD PIPING KIT 2(#1602-)	#1602 -	2004.12.31 REV.7
3740	DOUBLE ACTING HYD PIPING KIT 3		2004.12.31 REV.7
3750	DOUBLE ACTING HYD PIPING KIT 4		2004.12.31 REV.7
3751	DOUBLE ACTING HYD PIPING KIT 5(#1016-)	#1016 -	2004.10.10 REV.5
3752	DOUBLE ACTING HYD PIPING KIT 6(#1016-)	#1016 -	2004.10.10 REV.5
3760	DOUBLE ACTING ATTACH PIPING KIT(-#1370)	- #1370	2005. 6.30 REV.5F

3761	DOUBLE ACTING ATTACH PIPING KIT(#1371-)	#1371 -	2005. 6.30 REV.5F
3762	DOUBLE ACTING ATTACH PIPING KIT(#1371-)	#1371 -	2005. 6.30 REV.5F
3765	DOUBLE ACTING MAIN PIPING KIT(-#1370)	- #1370	2004.10.10 REV.5
3766	DOUBLE ACTING MAIN PIPING KIT(#1371-)	#1371 -	2006.10.31 REV.6K
3770	DOUBLE ACTING MAIN PIPING KIT(-#1370)	- #1370	2004.10.10 REV.5
3771	DOUBLE ACTING MAIN PIPING KIT(#1371-)	#1371 -	2006.10.31 REV.6K
3775	DOUBLE ACTING MAIN PIPING KIT(#1602-)	#1602 -	2006.10.31 REV.6K
3780	SINGLE ACTING MAIN PIPING KIT(-#1370)	- #1370	2006.10.31 REV.6K
3781	SINGLE ACTING MAIN PIPING KIT(#1371-)	#1371 -	2006.10.31 REV.6K
3782	SINGLE ACTING MAIN PIPING KIT(#1602-)	#1602 -	2006.10.31 REV.6K
3790	ADJUST BOOM ATTACH PIPING KIT(#1016-)	#1016 -	2005. 6.30 REV.5F
3800	S/ACT MAIN PIPING KIT(ADJUST BM,#1371-)	#1371 -	2006.10.31 REV.6K
3810	D/ACT MAIN PIPING KIT(ADJUST BM,#1371-)	#1371 -	2006.10.31 REV.6K
4	HYDRAULIC COMPONENT		
4010	MAIN PUMP		2004.12.31 REV.7
4020	REGULATOR		2006.11.30 REV.6L
4030	GEAR PUMP(-#1682)	- #1682	2004.12.31 REV.7
4031	GEAR PUMP(#1683-)	#1683 -	2004.12.31 REV.7
4040	MAIN CONTROL VALVE(ALP165,1/4)		2006.12.31 REV.6M
4050	MAIN CONTROL VALVE(ALP165,2/4)		2005.10.31 REV.5K
4060	MAIN CONTROL VALVE(ALP165,3/4)		2004.11.10 REV.6
4070	MAIN CONTROL VALVE(ALP165,4/4)		2004.11.10 REV.6
4080	MAIN CONTROL VALVE(UHX22-26,1/2)		2005.11.30 REV.5L
4090	MAIN CONTROL VALVE(UHX22-26,2/2)		2005. 6.30 REV.5F
4095	MAIN CONTROL VALVE(1/4, 2-BLOCK,#2680-)	#2680 -	2007. 4.30 REV.7D
4096	MAIN CONTROL VALVE(2/4, 2-BLOCK, #2680-)	#2680 -	2007. 4.30 REV.7D
4097	MAIN CONTROL VALVE(3/4, 2-BLOCK,#2680-)	#2680 -	2007. 4.30 REV.7D
4098	MAIN CONTROL VALVE(4/4, 2-BLOCK, #2680-)	#2680 -	2007. 4.30 REV.7D
4100	SWING MOTOR(-#1440)	- #1440	2006. 5.31 REV.6E
4101	SWING MOTOR(#1441-)	#1441 -	2006. 8.31 REV.6H
4110	SWING REDUCTION GEAR(-#1440)	- #1440	2004.10.10 REV.5
4111	SWING REDUCTION GEAR(#1441-)	#1441 -	2007. 4.30 REV.7D
4120	REMOTE CONTROL LEVER(LH/RH)		2005. 3.31 REV.5C
4125	REMOTE CONTROL VALVE(OPT,#2709-)	#2709 -	2007. 4.30 REV.7D
4130	REMOTE CONTROL PEDAL		
4140	TRAVEL MOTOR(1/3)		2007.12.31 REV.7M
4150	TRAVEL MOTOR(2/3)		2004. 2.28 REV.4
4160	TRAVEL MOTOR(3/3)		
4170	TRAVEL REDUCTION GEAR		2004.12.31 REV.7
4171	TRAVEL MOTOR(1/3, #0239-#2712, LCM-7)	#0239 - #2712	2007. 4.30 REV.7D
4172	TRAVEL MOTOR(2/3, #0239-#2712, LCM-7)	#0239 - #2712	2007. 4.30 REV.7D
4173	TRAVEL MOTOR(3/3, #0239-#2712, LCM-7)	#0239 - #2712	2007. 4.30 REV.7D
4174	TRAVEL REDUCTION GEAR(#0239-#2712,LCM-7)	#0239 - #2712	2007. 4.30 REV.7D
4175	TRAVEL MOTOR(#2713-, 1/2, TYPE 1, LCM-7)	#2713 -	2007.12.31 REV.7M
4176	TRAVEL MOTOR(#3713-, 2/2, TYPE 1, LCM-7)	#2713 -	2007. 4.30 REV.7D
4177	TRAVEL REDUCTION GEAR(TYPE 1, LCM-7)	#2713 -	2007. 4.30 REV.7D
4178	TRAVEL MOTOR(#3330-, 1/2, TYPE 2, LCM-7)	#3330 -	2009. 1.31 REV.9A
4179	TRAVEL MOTOR(#3330-, 2/2, TYPE 2, LCM-7)	#3330 -	2009. 1.31 REV.9A
4180	TRAVEL REDUCTION GEAR(TYPE 2, LCM-7)	#3330 -	2009. 1.31 REV.9A
4190	TURNING JOINT		2003. 2.28 REV.3
4195	TURNING JOINT(R140LCD-7)		2003. 2.28 REV.3
4200	BOOM CYLINDER		
4210	ARM CYLINDER		2008. 6.30 REV.8F
4220	BUCKET CYLINDER		
4230	DOZER BLADE CYLINDER		2004.10.10 REV.5
4240	SOLENOID VALVE		2003. 2.28 REV.3
4250	ADJUST CYLINDER(#0234-, ADJUST BOOM)	#0234 -	2008. 7.31 REV.8G
4260	BOOM CYLINDER(#0234-, ADJUST BOOM)	#0234 -	2003. 2.28 REV.3
4300	SINGLE PEDAL(DOUBLE ACTING)		
4310	QUICK CLAMP ASSY		2006. 6.30 REV.6F
4320	QUICK CLAMP ASSY(#2295-)	#2295 -	2006. 4.30 REV.6D
4330	QUICK CLAMP ASSY 3(#2515-)	#2515 -	2006.11.30 REV.6L

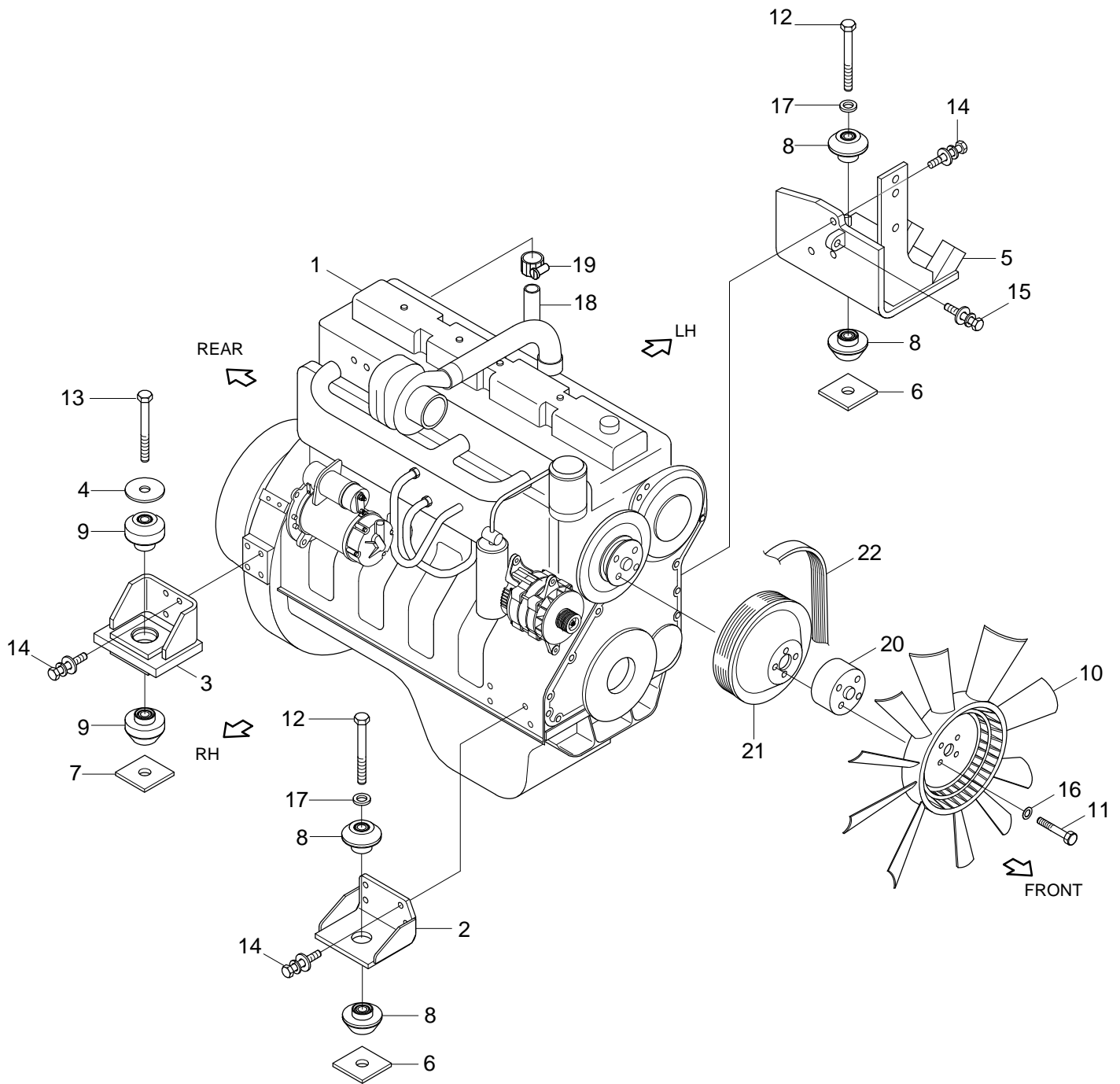
4340	QUICK CLAMP ASSY 4(#2515-)	#2515 -	2006.11.30 REV.6L
4400	QUICK CLAMP CYLINDER(#2515-)	#2515 -	2006.11.30 REV.6L
5	UNDERCARRIAGE		
5010	UNDERCARRIAGE MOUNTING		2007.12.31 REV.7M
5020	LOWER ROLLER		2007.12.31 REV.7M
5030	UPPER ROLLER		2008. 9.30 REV.8J
5040	IDLER		
5050	ADJUST COMPONENT		2007.12.31 REV.7M
5060	TRACK CHAIN		2010. 6.30 REV.10F
5110	UNDERCARRIAGE(#0239-, R140LCM-7)	#0239 -	2007.12.31 REV.7M
5120	ROLLER(#0239-, R140LCM-7)	#0239 -	2007.12.31 REV.7M
5130	IDLER(#0239-, R140LCM-7)	#0239 -	2003. 2.28 REV.3
5140	ADJUST COMPONENT(#0239-, R140LCM-7)	#0239 -	2003. 2.28 REV.3
6	STRUCTURE		
6010	CAB MOUNTING		2009. 12.10 REV.9M
6020	CAB ASSY(1/6, STD & FOG TYPE)		2009.12.30 REV.9M
6022	CAB ASSY(1/6, STD & FOG TYPE, #2936-)	#2936 -	2009.12.30 REV.9M
6025	CAB ASSY(1/6, ROOF TYPE, #1347-)	#1347 -	2009.12.30 REV.9M
6027	CAB ASSY(1/6, ROOF TYPE, OPT, #2936-)	#2936 -	2009.12.30 REV.9M
6030	CAB ASSY(2/6)		2004.10.10 REV.5
6035	CAB ASSY(2/6, OPT, #2936-)	#2936 -	2008. 11.30 REV.8L
6040	CAB ASSY(3/6)		2007.12.31 REV.7M
6045	CAB ASSY(3/6, OPT, #2936-)	#2936 -	2008. 4.30 REV.8D
6050	CAB ASSY(4/6, DOOR)		2008. 11.30 REV.8L
6060	CAB ASSY(5/6, SASH ASSY)		
6070	CAB ASSY(6/6, DOOR LATCH ASSY)		
6080	CAB INTERIOR 1		2004.10.10 REV.5
6085	CAB INTERIOR 2		2008. 4.30 REV.8D
6090	CAB INTERIOR 1(OPT, #2936-)		2008. 4.30 REV.8D
6095	CAB INTERIOR 2(OPT, #2936-)		2008. 4.30 REV.8D
6100	CONSOLE BOX 1(LH)		
6102	CONSOLE BOX 1(LH, OPT, #2936-)	#2936 -	2008. 4.30 REV.8D
6105	CONSOLE BOX 1(LH, R140LCD-7)		
6110	CONSOLE BOX 2(LH)		2004. 2.28 REV.4
6115	CONSOLE BOX 2(LH, OPT, #2936-)	#2936 -	2008. 4.30 REV.8D
6120	CONSOLE BOX(RH)		2006. 2.28 REV.6B
6125	CONSOLE BOX(RH, OPT, #2936-)	#2936 -	2008. 4.30 REV.8D
6130	SEAT BASE ASSY		2006. 2.28 REV.6B
6140	SEAT(-#1119)	- #1119	2004. 2.28 REV.4
6141	SEAT(#1120-#1779)	#1120 - #1779	2005. 2.28 REV.5B
6142	SEAT(#1780-)	#1780 -	2005. 4.30 REV.5D
6144	SEAT 2(#1709-)	#1709 -	2005. 2.28 REV.5B
6145	SEAT(#1120-#1779)	#1120 - #1779	2005. 2.28 REV.5B
6146	SEAT 3(#2551-)	#2551 -	2006. 9.30 REV.6J
6148	SEAT 4(#2844-)	#2844 -	2008. 4.30 REV.8D
6149	SEAT 3(#2551-)	#2551 -	2006. 9.30 REV.6J
6150	STORAGE BOX COVER ASSY		
6160	BOTTOM PLATE MOUNTING		2004. 2.28 REV.4
6165	BOTTOM PLATE MOUNTING(OPT, #2936-)	#2936 -	2008. 4.30 REV.8D
6170	PROTECTOR(R140LCM-7)	#1083 -	2007.12.31 REV.7M
6200	COWLING(-#1000)	- #1000	2003. 2.28 REV.3
6205	COWLING(#1001-, TIER-II)	#1001 -	2007.12.31 REV.7M
6210	SIDE COWL ASSY(LH, -#1000)	- #1000	2003. 2.28 REV.3
6215	SIDE COWL ASSY-LH(#1001-, TIER II)	#1001 -	2006.11.30 REV.6L
6220	AIR CLEANER ASSY		2006.11.30 REV.6L
6230	SIDE COVER ASSY(LH)		2006. 7.31 REV.6G
6240	SIDE COWL ASSY(RH)		2007. 4.30 REV.7D
6250	ENGINE HOOD(-#1000)	- #1000	2003. 2.28 REV.3
6255	ENGINE HOOD(#1001-, TIER II)	#1001 -	2007.12.31 REV.7M
6260	UNDER COVER		2008. 8.31 REV.8H
6270	TOOL BOX MOUNTING(-#1000)	- #1000	2003. 2.28 REV.3
6275	TOOL BOX MOUNTING(#1001-, TIER II)	#1001 -	2008. 8.31 REV.8H

6280	TOOL BOX		2007. 3.31 REV.7C
6290	GROMMET GROUP		2007. 4.30 REV.7D
6400	UPPER FRAME & COUNTERWEIGHT		2008. 7.31 REV.8G
6410	LOWER FRAME & COVER		2010. 6.30 REV.10F
6420	SWING RING GREASE LUB SYSTEM		2010. 7.31 REV.10G
6430	DOZER BLADE(R140LCD-7)		2007. 4.30 REV.7D
6500	CAB PROTECTOR ASSY(OPTION, #2792-)	#2792 -	2008. 10.31 REV.8K
7	ATTACHMENT		
7010	BOOM MOUNTING		2009. 4.16 REV.9D
7020	BOOM MOUNTING(ADJUST BOOM, #0234-)	#0234 -	2009. 4.16 REV.9D
7100	BOOM(4.6M, STD)		2004.10.10 REV.5
7110	BOOM(4.1M)		2004.10.10 REV.5
7120	BOOM(ADJUST BOOM, #0234-)	#0234 -	2003. 2.28 REV.3
7200	ARM(2.5M, STD)		2002. 5.31 REV.1
7210	ARM(3.0M)		2002. 5.31 REV.1
7220	ARM(2.1M)		2002. 5.31 REV.1
7230	ARM(1.9M)		2002. 5.31 REV.1
7300	BUCKET CONTROL GROUP		2007. 3.31 REV.7C
7310	BUCKET(0.58M3 SAE HEAPED, STD)		2008. 7.31 REV.8G
7320	BUCKET(0.23M3 SAE HEAPED)		2008. 7.31 REV.8G
7330	BUCKET(0.40M3 SAE HEAPED)		2008. 7.31 REV.8G
7340	BUCKET(0.46M3 SAE HEAPED)		2008. 7.31 REV.8G
7350	BUCKET(0.52M3 SAE HEAPED)		2008. 7.31 REV.8G
7360	BUCKET(0.65M3 SAE HEAPED)		2008. 7.31 REV.8G
7370	BUCKET(0.71M3 SAE HEAPED)		2008. 7.31 REV.8G
7380	BUCKET(0.45M3 SAE HEAPED, D/CLEANING)		2008. 7.31 REV.8G
7390	BUCKET(0.55M3 SAE HEAPED, S/FINISHING)		2008. 7.31 REV.8G
8	OTHERS		
8010	TOOLS(-#1161)	- #1161	2004. 2.28 REV.4
8011	TOOLS(#1162-)	#1162 -	2004. 2.28 REV.4
8050	HRDT 2.0 TOOL KIT		2006.12.31 REV.6M
8100	DECALS		2010. 5.31 REV.10E
9	ENGINE BASE(TIER I)		
9010	FRONT DRIVE ADAPTER(-#1000)	- #1000	2003. 2.28 REV.3
9020	AIR INTAKE HEATER(-#1000)	- #1000	2003. 2.28 REV.3
9030	DATAPLATE(-#1000)	- #1000	2003. 2.28 REV.3
9040	ROCKER LEVERS(-#1000)	- #1000	2003. 2.28 REV.3
9050	VALVE TAPPET(-#1000)	- #1000	2003. 2.28 REV.3
9060	FRONT GEAR COVER(-#1000)	- #1000	2003. 2.28 REV.3
9070	CYLINDER BLOCK(-#1000)	- #1000	2003. 2.28 REV.3
9080	CRANKSHAFT & MAIN BEARINGS(-#1000)	- #1000	2003. 2.28 REV.3
9090	CAM FOLLOWER COVER(-#1000)	- #1000	2003. 2.28 REV.3
9100	FRONT GEAR TRAIN ACCESSORY(-#1000)	- #1000	2003. 2.28 REV.3
9110	FUEL DRAIN LOCATION(-#1000)	- #1000	2003. 2.28 REV.3
9120	THERMOSTAT & HOUSING(-#1000)	- #1000	2003. 2.28 REV.3
9130	ALTERNATOR LOCATION(-#1000)	- #1000	2003. 2.28 REV.3
9140	ALTERNATOR DRIVE(-#1000)	- #1000	2003. 2.28 REV.3
9150	MECHANICAL TACHOMETER DRIVE(-#1000)	- #1000	2003. 2.28 REV.3
9160	FAN DRIVE(-#1000)	- #1000	2003. 2.28 REV.3
9170	AIR FUEL CONTROL PLUMBING(-#1000)	- #1000	2003. 2.28 REV.3
9180	FUEL FILTER(-#1000)	- #1000	2003. 2.28 REV.3
9190	FUEL FILTER PLUMBING(-#1000)	- #1000	2003. 2.28 REV.3
9200	FLYWHEEL HOUSING(-#1000)	- #1000	2003. 2.28 REV.3
9210	INJECTION PUMP & ACCESSORIES(-#1000)	- #1000	2003. 2.28 REV.3
9220	FUEL PUMP COUPLING(-#1000)	- #1000	2003. 2.28 REV.3
9230	FUEL SYSTEM ACCESSORIES(-#1000)	- #1000	2003. 2.28 REV.3
9240	FUEL PLUMBING(-#1000)	- #1000	2003. 2.28 REV.3
9250	FUEL SHUTOFF VALVE(-#1000)	- #1000	2003. 2.28 REV.3
9260	FLYWHEEL(-#1000)	- #1000	2003. 2.28 REV.3
9270	LIFTING BRACKET(-#1000)	- #1000	2003. 2.28 REV.3
9280	LUBRICATING OIL COOLER(-#1000)	- #1000	2003. 2.28 REV.3
9290	OIL LEVEL GAUGE(-#1000)	- #1000	2003. 2.28 REV.3

9300	LUBRICATING OIL PUMP(-#1000)	- #1000	2003. 2.28 REV.3
9310	CYLINDER BLOCK COVER(-#1000)	- #1000	2003. 2.28 REV.3
9320	OIL PAN(-#1000)	- #1000	2003. 2.28 REV.3
9330	CONNECTING ROD & PISTON(-#1000)	- #1000	2003. 2.28 REV.3
9340	CAMSHAFT(-#1000)	- #1000	2003. 2.28 REV.3
9350	FUEL INJECTOR(-#1000)	- #1000	2003. 2.28 REV.3
9360	CYLINDER HEAD(-#1000)	- #1000	2003. 2.28 REV.3
9370	TURBOCHARGER 1(-#1000)	- #1000	2003. 2.28 REV.3
9380	TURBOCHARGER 2(-#1000)	- #1000	2003. 2.28 REV.3
9390	CYLINDER HEAD GASKET(-#1000)	- #1000	2003. 2.28 REV.3
9400	STARTING MOTOR & MOUNTING(-#1000)	- #1000	2003. 2.28 REV.3
9410	FAN PILOT SPACER(-#1000)	- #1000	2003. 2.28 REV.3
9420	TURBOCHARGER LOCATION(-#1000)	- #1000	2003. 2.28 REV.3
9430	TURBOCHARGER PLUMBING(-#1000)	- #1000	2003. 2.28 REV.3
9440	VALVE COVER(-#1000)	- #1000	2003. 2.28 REV.3
9450	AFTERCOOLER PLUMBING(-#1000)	- #1000	2003. 2.28 REV.3
9460	ENGINE VENT PLUMBING(-#1000)	- #1000	2003. 2.28 REV.3
9470	WATER INLET CONNECTION(-#1000)	- #1000	2003. 2.28 REV.3
9480	WATER PUMP(-#1000)	- #1000	2003. 2.28 REV.3
9490	EXHAUST PLUMBING(-#1000)	- #1000	2003. 2.28 REV.3
A	ENGINE BASE(TIER II)		
A010	FRONT DRIVE ADAPTER(#1001-#1494)	#1001 - #1494	2004.10.10 REV.5
A020	AIR INTAKE HEATER(#1001-#1494)	#1001 - #1494	2004.10.10 REV.5
A030	DATAPLATE(#1001-#1494)	#1001 - #1494	2004.10.10 REV.5
A040	ROCKER LEVERS(#1001-#1494)	#1001 - #1494	2004.10.10 REV.5
A050	VALVE TAPPET(#1001-#1494)	#1001 - #1494	2004.10.10 REV.5
A060	FRONT GEAR COVER(#1001-#1494)	#1001 - #1494	2004.10.10 REV.5
A070	CYLINDER BLOCK(#1001-#1494)	#1001 - #1494	2004.10.10 REV.5
A080	CRANKSHAFT & M/BEARINGS(#1001-#1494)	#1001 - #1494	2004.10.10 REV.5
A090	CAM FOLLOWER COVER(#1001-#1494)	#1001 - #1494	2004.10.10 REV.5
A100	FRONT GEAR TRAIN ACCESSORY(#1001-#1494)	#1001 - #1494	2004.10.10 REV.5
A110	FAN PILOT SPACER(#1001-#1494)	#1001 - #1494	2004.10.10 REV.5
A120	THERMOSTAT & HOUSING(#1001-#1494)	#1001 - #1494	2004.10.10 REV.5
A130	ALTERNATOR LOCATION(#1001-#1494)	#1001 - #1494	2004.10.10 REV.5
A140	ALTERNATOR DRIVE(#1001-#1494)	#1001 - #1494	2004.10.10 REV.5
A150	CABIN HEATER PLUMBING(#1001-#1494)	#1001 - #1494	2004.10.10 REV.5
A160	FAN DRIVE(#1001-#1494)	#1001 - #1494	2004.10.10 REV.5
A170	INJECTION PUMP 1(#1001-#1494)	#1001 - #1494	2004.10.10 REV.5
A180	INJECTION PUMP 2(#1001-#1494)	#1001 - #1494	2004.10.10 REV.5
A190	FUEL CLEANER(#1001-#1494)	#1001 - #1494	2004.10.10 REV.5
A200	FLYWHEEL HOUSING(#1001-#1494)	#1001 - #1494	2004.10.10 REV.5
A210	AIR INTAKE MANIFOLD(#1001-#1494)	#1001 - #1494	2004.10.10 REV.5
A220	INJECTOR PLUMBLING(#1001-#1494)	#1001 - #1494	2004.10.10 REV.5
A230	AIR INTAKE CONNECTION 1(#1001-#1494)	#1001 - #1494	2004.10.10 REV.5
A240	AIR INTAKE CONNECTION 2(#1001-#1494)	#1001 - #1494	2004.10.10 REV.5
A250	AIR INTAKE CONNECTION 3(#1001-#1494)	#1001 - #1494	2004.10.10 REV.5
A260	FLYWHEEL(#1001-#1494)	#1001 - #1494	2004.10.10 REV.5
A270	LIFTING BRACKET(#1001-#1494)	#1001 - #1494	2004.10.10 REV.5
A280	LUBRICATING OIL COOLER(#1001-#1494)	#1001 - #1494	2004.10.10 REV.5
A290	OIL LEVEL GAUGE(#1001-#1494)	#1001 - #1494	2004.10.10 REV.5
A300	LUBRICATING OIL PUMP(#1001-#1494)	#1001 - #1494	2004.10.10 REV.5
A310	FUEL CONTROL PLUMBING(#1001-#1494)	#1001 - #1494	2004.10.10 REV.5
A320	OIL PAN(#1001-#1494)	#1001 - #1494	2004.10.10 REV.5
A330	CONNECTING ROD & PISTON(#1001-#1494)	#1001 - #1494	2004.10.10 REV.5
A340	CAMSHAFT(#1001-#1494)	#1001 - #1494	2004.10.10 REV.5
A350	FUEL INJECTOR(#1001-#1494)	#1001 - #1494	2004.10.10 REV.5
A360	CYLINDER HEAD(#1001-#1494)	#1001 - #1494	2004.10.10 REV.5
A370	STARTING MOTOR & MOUNTING(#1001-#1494)	#1001 - #1494	2004.10.10 REV.5
A380	VALVE COVER(#1001-#1494)	#1001 - #1494	2004.10.10 REV.5
A390	EXHAUST PLUMBING(#1001-#1494)	#1001 - #1494	2004.10.10 REV.5
A400	TURBOCHARGER(#1001-#1494)	#1001 - #1494	2004.10.10 REV.5
A410	TURBOCHARGER LOCATION 1(#1001-#1494)	#1001 - #1494	2004.10.10 REV.5

A420	TURBOCHARGER LOCATION 2(#1001-#1494)	#1001 - #1494	2004.10.10 REV.5
A430	TURBOCHARGER PLUMBING(#1001-#1494)	#1001 - #1494	2004.10.10 REV.5
A440	WATER PUMP(#1001-#1494)	#1001 - #1494	2004.10.10 REV.5
A450	WATER INLET CONNECTION(#1001-#1494)	#1001 - #1494	2004.10.10 REV.5
A460	OIL LEVEL GAUGE(#1001-#1494)	#1001 - #1494	2004.10.10 REV.5
A470	FUEL SHUTOFF VALVE(#1001-#1494)	#1001 - #1494	2004.10.10 REV.5
A480	FUEL TRANSFER PUMP(#1001-#1494)	#1001 - #1494	2004.10.10 REV.5
A490	FUEL PLUMBING(#1001-#1494)	#1001 - #1494	2004.10.10 REV.5
A500	FUEL FILTER PLUMBING(#1001-#1494)	#1001 - #1494	2004.10.10 REV.5
B010	FRONT DRIVE ADAPTER(#1495-)	#1495 -	2004.10.10 REV.5
B020	AIR INTAKE HEATER(#1495-)	#1495 -	2004.10.10 REV.5
B030	DATAPLATE(#1495-)	#1495 -	2004.10.10 REV.5
B040	ROCKER LEVERS(#1495-)	#1495 -	2004.10.10 REV.5
B050	VALVE TAPPET(#1495-)	#1495 -	2004.10.10 REV.5
B060	FRONT GEAR COVER(#1495-)	#1495 -	2004.10.10 REV.5
B070	CYLINDER BLOCK(#1495-)	#1495 -	2004.10.10 REV.5
B080	CRANKSHAFT & M/BEARINGS(#1495-)	#1495 -	2004.10.10 REV.5
B090	CAM FOLLOWER COVER(#1495-)	#1495 -	2004.10.10 REV.5
B100	FRONT GEAR TRAIN ACCESSORY(#1495-)	#1495 -	2004.10.10 REV.5
B110	FAN PILOT SPACER(#1495-)	#1495 -	2004.10.10 REV.5
B120	THERMOSTAT & HOUSING(#1495-)	#1495 -	2004.10.10 REV.5
B130	ALTERNATOR LOCATION(#1495-)	#1495 -	2004.10.10 REV.5
B140	ALTERNATOR DRIVE(#1495-)	#1495 -	2004.10.10 REV.5
B150	MECHANICAL TACHOMETER DRIVE(#1495-)	#1495 -	2004.10.10 REV.5
B160	FAN DRIVE(#1495-)	#1495 -	2004.10.10 REV.5
B170	INJECTION PUMP 1(#1495-)	#1495 -	2004.10.10 REV.5
B180	INJECTION PUMP 2(#1495-)	#1495 -	2004.10.10 REV.5
B190	FUEL CLEANER(#1495-)	#1495 -	2004.10.10 REV.5
B200	FLYWHEEL HOUSING(#1495-)	#1495 -	2007.11.30 REV.7L
B210	AIR INTAKE MANIFOLD(#1495-)	#1495 -	2004.10.10 REV.5
B220	INJECTOR PLUMBLING(#1495-)	#1495 -	2004.10.10 REV.5
B230	AIR INTAKE CONNECTION (#1495-)	#1495 -	2004.10.10 REV.5
B240	EXHAUST CONNECTION(#1495-)	#1495 -	2004.10.10 REV.5
B250	OIL PAN MOUNT(#1495-)	#1495 -	2004.10.10 REV.5
B260	FLYWHEEL(#1495-)	#1495 -	2004.10.10 REV.5
B270	LIFTING BRACKET(#1495-)	#1495 -	2004.10.10 REV.5
B280	LUBRICATING OIL COOLER(#1495-)	#1495 -	2004.10.10 REV.5
B290	OIL LEVEL GAUGE(#1495-)	#1495 -	2004.10.10 REV.5
B300	LUBRICATING OIL PUMP(#1495-)	#1495 -	2004.10.10 REV.5
B310	OIL FUEL CONTROL(#1495-)	#1495 -	2004.10.10 REV.5
B320	OIL PAN(#1495-)	#1495 -	2004.10.10 REV.5
B330	CONNECTING ROD & PISTON(#1495-)	#1495 -	2004.10.10 REV.5
B340	CAMSHAFT(#1495-)	#1495 -	2004.10.10 REV.5
B350	FUEL INJECTOR(#1495-)	#1495 -	2004.10.10 REV.5
B360	CYLINDER HEAD(#1495-)	#1495 -	2004.10.10 REV.5
B370	STARTING MOTOR(#1495-)	#1495 -	2004.10.10 REV.5
B380	VALVE COVER(#1495-)	#1495 -	2004.10.10 REV.5
B390	LIFT PUMP(#1495-)	#1495 -	2004.10.10 REV.5
B400	TURBOCHARGER(#1495-)	#1495 -	2004.10.10 REV.5
B410	FLUID LEVEL SENSOR(#1495-)	#1495 -	2004.10.10 REV.5
B420	ENGINE OIL DRAIN VALVE(#1495-)	#1495 -	2004.10.10 REV.5
B430	TURBOCHARGER PLUMBING(#1495-)	#1495 -	2004.10.10 REV.5
B440	WATER PUMP(#1495-)	#1495 -	2004.10.10 REV.5
B450	WATER INLET CONNECTION(#1495-)	#1495 -	2004.10.10 REV.5
B460	FUEL DRAIN LOCATION(#1495-)	#1495 -	2004.10.10 REV.5
B470	FUEL SHUTOFF VALVE(#1495-)	#1495 -	2004.10.10 REV.5
B480	STARTER MOUNTING(#1495-)	#1495 -	2004.10.10 REV.5
B490	NOISE PANEL(#1495-)	#1495 -	2004.10.10 REV.5
B500	FUEL FILTER PLUMBING(#1495-)	#1495 -	2004.10.10 REV.5
B510	EXHAUST MANIFOLD(#1495-)	#1495 -	2004.10.10 REV.5
B520	CAM FOLLOWER COVER MOUNTING(#1495-)	#1495 -	2004.10.10 REV.5

ENGINE MOUNTING



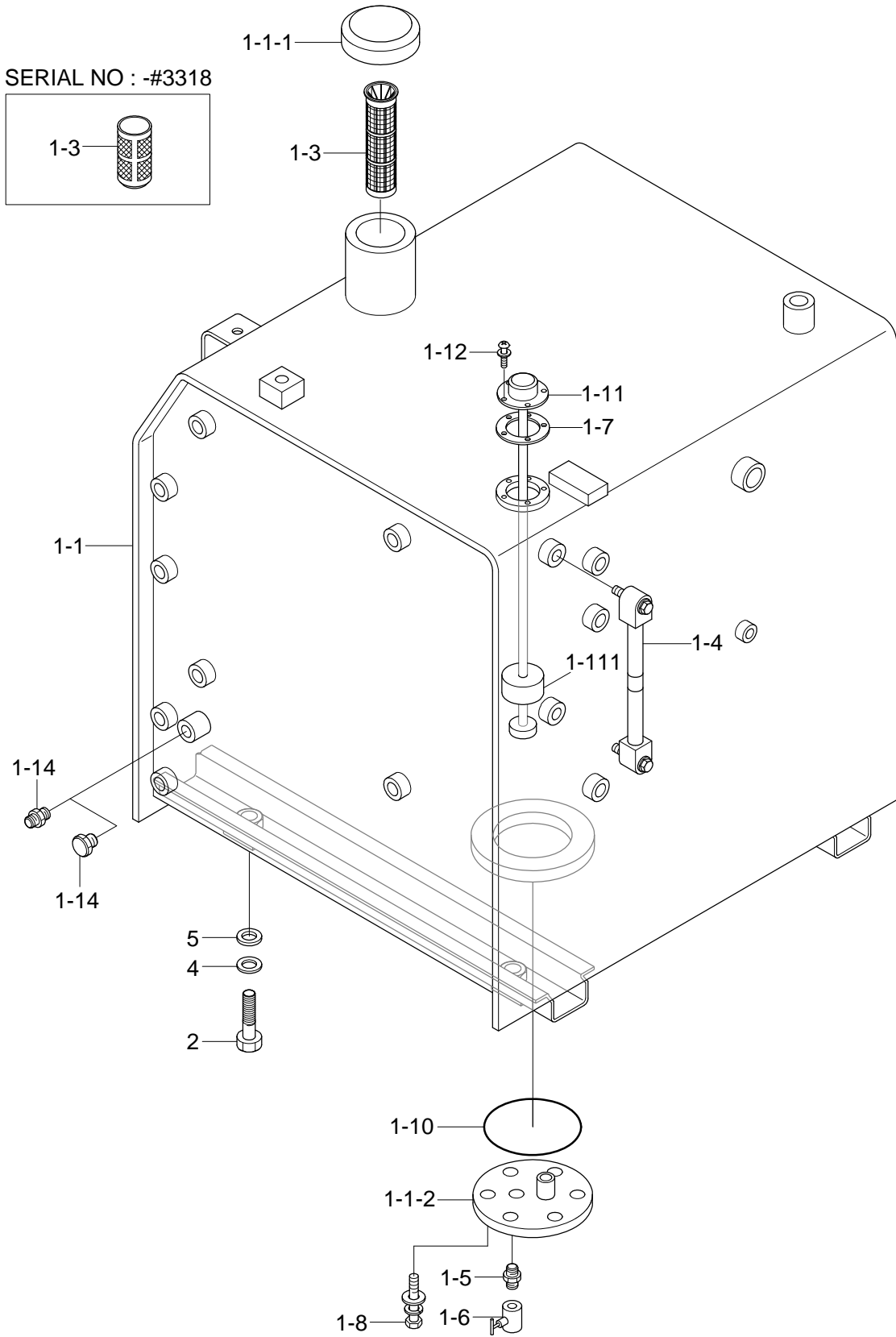
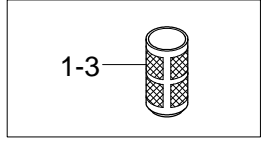
ENGINE ASSY : ITEM #1			
Serial No	Part No.	Pages	Remark
-#1000	11N4-01010	9010 - 9490	Ceres only
#1001 - #1494	11N4-03010	A010 - A500	Ceres only
#1495-	11N4-06010	B010 - B570	This book

Item	Part_No	IS	Ord	T	Description	Qty	Serial_No	ITC	Remark
1	11N4-01010				ENGINE ASSY	1	- #1000		SEE CERES
	11N4-03010				ENGINE ASSY	1	#1001 - #1494	D	SEE CERES
	11N4-06010				ENGINE ASSY	1	#1495 -	D	SEE B010-B570
2	11N4-00020				BRACKET-FRONT	1			
3	11N4-00040				BRACKET-REAR	2			
4	11N4-00060				WASHER-MOUNT	2			
5	11N4-00200				BRACKET-ENGINE & COMP	1	- #3467		
	11N4-00201				BRACKET-ENGINE & COMP	1	#3468 -	B	
6	11N4-00150				NUT-STOPPER	2			
7	11N4-00160				NUT-STOPPER	2			
8	11N6-08255				RUBBER-MOUNT	4	- #1494		
	11N6-08250				RUBBER-MOUNT	4	#1495 -	D	
9	11N6-10450				RUBBER-MOUNT	4			
10	11EK-02320				FAN(24")	1			STD
	11N4-00180				FAN-RING	1			R/FAN, INLINE
11	S017-101202				BOLT-HEX	4			STD
	S017-101002				BOLT-HEX	4			R/FAN, INLINE
12	S017-161352				BOLT-HEX	2			
13	S017-201452				BOLT-HEX	2			
14	S037-123022				BOLT-W/WASHER	14			
15	S037-125522				BOLT-W/WASHER	1			
16	S403-102002				WASHER-PLAIN	4			
17	S441-160002				WASHER-HARDENED	2			
18	11E9-02080				HOSE-BREATHER	1			
19	S520-027000				CLAMP-HOSE,SCREW TYPE	1			

Item	Part_No	IS	Ord	T	Description	Qty	Serial_No	ITC	Remark
20	@				SPACER-FAN	1			NOT
21	3918204				PULLEY-FAN	1	#1975 -	-	STD
	3914462				PULLEY-FAN	1	#1975 -	-	TROPICAL REGION
22	3929330				V-BELT	1	#1975 -	-	STD
	3288746				V-BELT	1	#1975 -	-	TROPICAL REGION

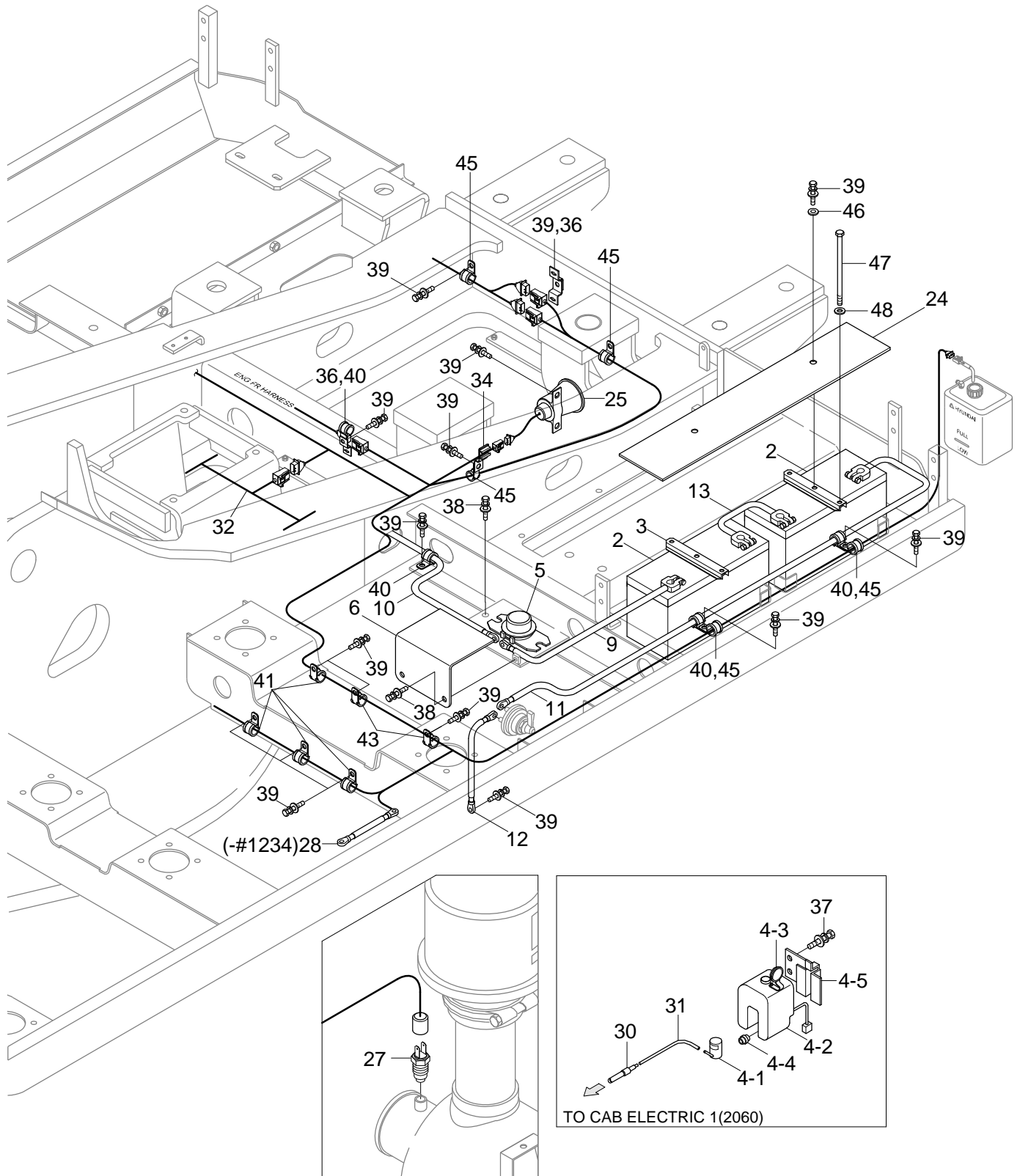
FUEL TANK

SERIAL NO : -#3318



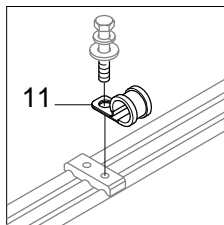
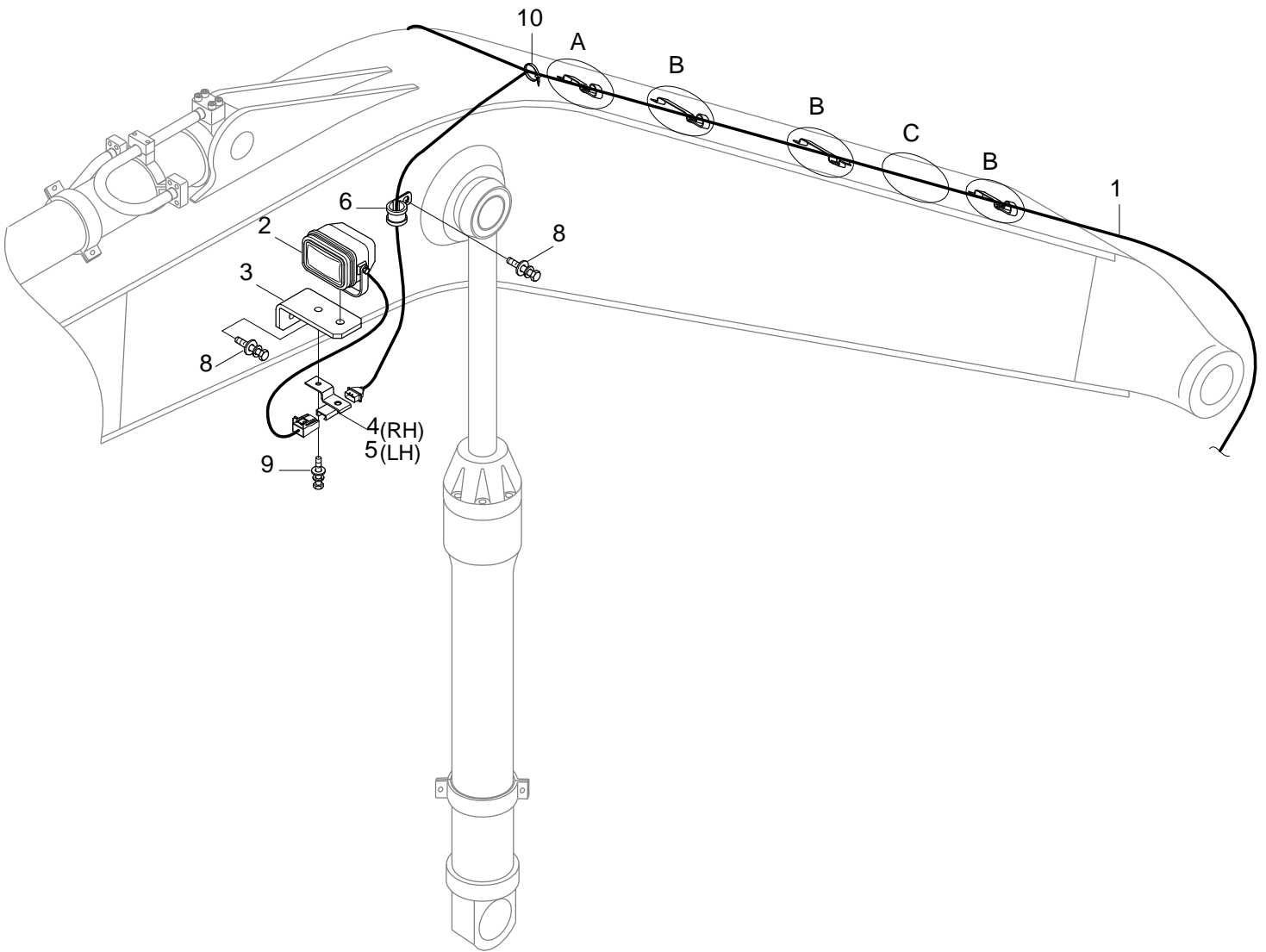
Item	Part_No	IS	Ord	T	Description	Qty	Serial_No	ITC	Remark
1	@				FUEL TANK ASSY	1			NOT
1-1	31N4-02012				.FUEL TANK WA	1	- #1263		
	31N4-02013				.FUEL TANK WA	1	#1264 - #1818	D	
	31N4-02014				.FUEL TANK WA	1	#1819 - #2337	A	
	31N4-02015				.FUEL TANK WA	1	#2338 - #2494	B	
	31N4-02150				.FUEL TANK WA	1	#2495 -	D	
1-1-1	E131-1038	10			..CAP-FILLER	1	- #2337		
	31N4-02120				..FUEL CAP ASSY	1	#2338 -	B	
1-1-2	31N4-02110				..COVER-DRAIN	1			
1-3	31E1-10300				.STRAINER	1	- #3318		
	31QA-02080				.STRAINER	1	#3319 -	B	
1-4	E131-0473	30			.GAUGE-LEVEL	1	- #1000		
	31N6-02100				.GAUGE-LEVEL	1	#1001 - #1263	D	
	31N6-02600				.GAUGE-LEVEL	1	#1264 -	D	
1-5	31E5-3049	10			.FITTING	1			
1-6	E131-1006	10			.VALVE-NEEDLE	1			
1-7	E128-1053	10			.GASKET	1			
1-8	S037-103022				.BOLT-W/WASHER	6			
1-10	S632-170001				.O-RING	1			
1-11	21N6-10701				.SENDER-FUEL	1	- #3374		
	21Q4-10700				.SENDER-FUEL	1	#3375 -	B	
1-111	21N6-10710				..FLOAT	1	#1780 -	-	
1-12	21E4-1104-DA	10			.SCREW-CROSS R/ROUND	5	- #3015		
	S131-051546				.SCREW-W/WASHER	5	#3016 -	A	
1-14	P220-430204				.PLUG-HEX	1			

Item	Part_No	IS	Ord	T	Description	Qty	Serial_No	ITC	Remark
1-14	P090-101008				.CONNECTOR-HOSE	1			F/FILLER PUMP
2	S017-200352				BOLT-HEX	4	- #2337		
	S017-200502				BOLT-HEX	4	#2338 -	C	
4	91E6-60200				WASHER-HARDENED	4			
5	E231-0134	20			SHIM(1.0T)	5	- #0057		
	31N8-01300				SHIM(1.0T)	5	#0058 -	B	

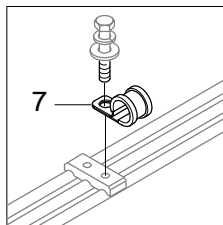


Item	Part_No	IS	Ord	T	Description	Qty	Serial_No	ITC	Remark
*	@				LH ELECTRIC	1	#1001 -	-	NOT
					LH ELECTRIC	1	#1001 -	-	NOT
2	25D1-00391				BATTERY ASSY	2			
3	21N4-01530				BRACKET-BATTERY	2	- #2550		
	21N6-21170				BRACKET-BATTERY	2	#2551 -	D	
4	21EG-30630				WASHER TANK ASSY	1			
4-1	21EG-10130				.PUMP-MOTOR	1			
4-2	21EG-10140				.TANK	1			
4-3	24L3-30660				.CAP	1			
4-4	24L3-30670				.RUBBER-BUSHING	1			
4-5	24L3-30710				.PLATE	1			
5	21E5-0003	10			RELAY-BATTERY	1			
6	21N6-10181				COVER-BATT RELAY	1			
9	21E2-60210				CABLE(BATT-BATT RY)	1	- #1825		
	21L8-10290				CABLE(BATT-BATT RY)	1	#1826 -	B	
10	21EG-10101				CABLE(BATT RY-STARTER)	1	- #1005		
	21EE-10181				CABLE START	1	#1006 - #1825	B	
	24L4-00361				CABLE(TERMINAL-RELAY)	1	#1826 -	B	
11	21EA-00220				CABLE(EARTH & M/S SW)	1			
12	21NA-10500				CABLE(MASTER SW-EARTH)	1			
13	21E2-60420				CABLE(BATT-BATT)	1			
24	21N4-01541				COVER BATT	1			
25	21N6-20321				BUZZER-TRAVEL ALARM	1	- #2078		
	21N6-20322				BUZZER-TRAVEL ALARM	1	#2079 -	D	
27	21L7-20100				SWITCH-AIR CLEANER	1			

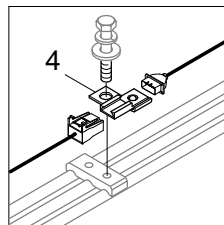
Item	Part_No	IS	Ord	T	Description	Qty	Serial_No	ITC	Remark
28	21EH-30720				STRAP-EARTH	1	- #1234	-	
30	21EM-30570				CONNECTOR-TUBE	1			
31	21EM-30581				HOSE-RUBBER	1			
32	21N4-01502				HARNESS-EXT, TRAVEL	1			
34	25D1-10650				CLIP ASSY	1			
36	21N4-01130				PLATE-CLIP	2			
38	S035-082542				BOLT-W/WASHER	4			
39	S037-102022				BOLT-W/WASHER	19			
40	S543-220002				CLAMP-TUBE	4			
41	S543-200002				CLAMP-TUBE	4			
45	S593-000902				CLIP-HARNESS	5	- #3212		
	S593-000802				CLIP-HARNESS	5	#3213 -	B	
46	21EN-30560				WASHER-PLAIN	2			
47	S017-102602				BOLT-HEX	4	- #2550		
	S017-102502				BOLT-HEX	4	#2551 -	D	
48	S403-102002				WASHER-PLAIN	4			



DETAIL A



DETAIL B



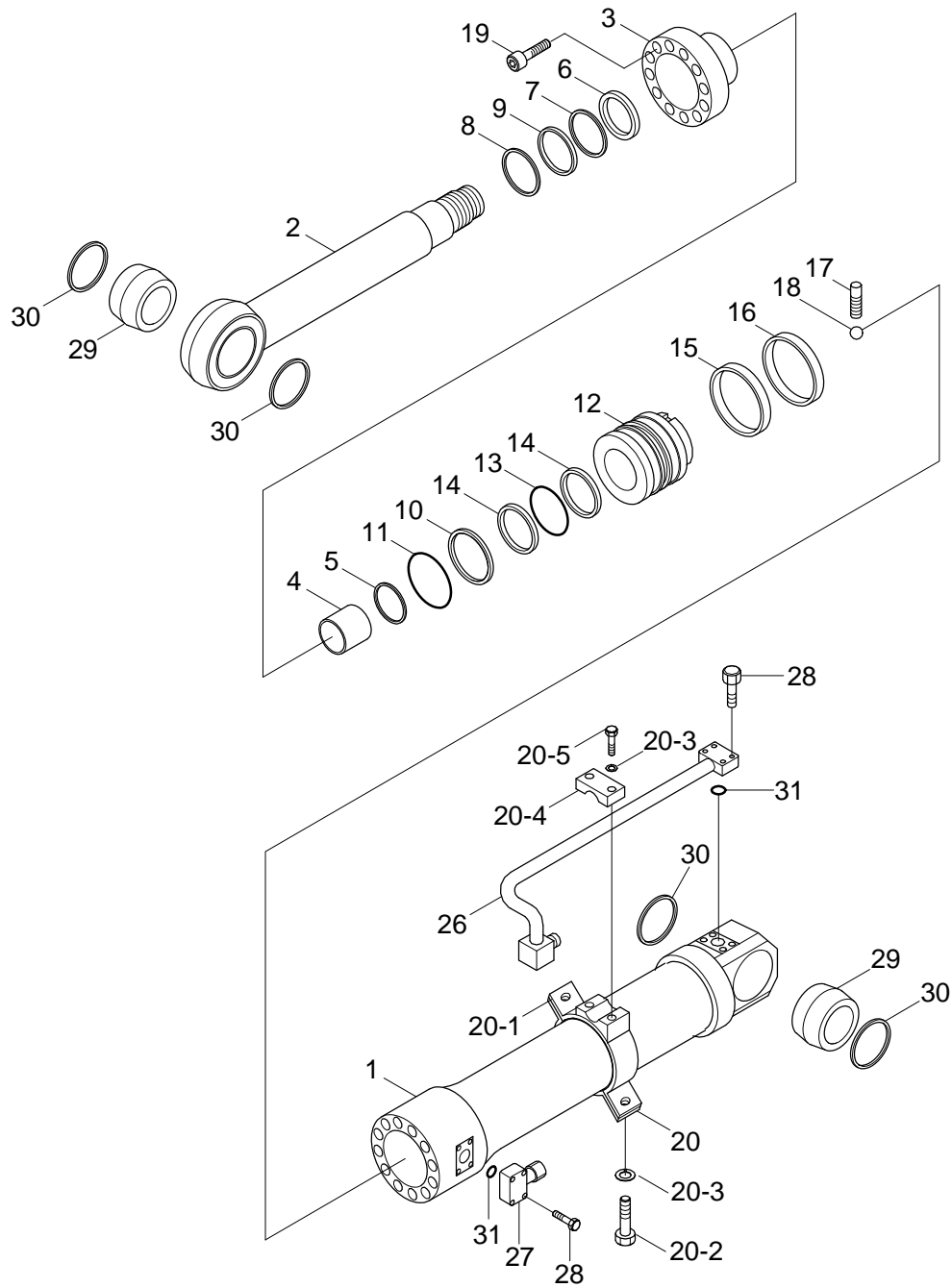
DETAIL C

Item	Part_No	IS	Ord	T	Description	Qty	Serial_No	ITC	Remark
1	21N4-10040				HARNES-BOOM	1			
2	21N6-20211				WORK LAMP ASSY	2			
2-1	S866-240650				.BULB	1			NOT SHOWN
3	21N6-20221				BRACKET-LIGHT	2			
4	25D1-10640				CLIP ASSY	2			
5	25D1-10650				CLIP ASSY	1			
6	S593-000902				CLIP-HARNESS	2	- #3212		
	S593-000802				CLIP-HARNESS	2	#3213 -	B	
7	S593-000652				CLIP-HARNESS	3			
8	S037-102022				BOLT-W/WASHER	4			
9	S037-122522				BOLT-W/WASHER	2			
10	S552-050203				CLAMP-BAND	11			
11	S593-000752				CLIP-HARNESS	1			

Item	Part_No	IS	Ord	T	Description	Qty	Serial_No	ITC	Remark
*	31N6-20060				RCV LEVER-LH	1	- #0197		
	31N6-20061				RCV LEVER-LH	1	#0198 -	D	
	31N6-20070				RCV LEVER-RH	1	- #0197		
	31N6-20071				RCV LEVER-RH	1	#0198 -	D	
1	XKAY-00066				.CASE	1	- #0197		
	XKAY-00077				.CASE	1	#0198 -	D	
2	XKAY-00065				.PLUG	4			
3	XKAY-00064				.PLUG	1			
4	XKAY-00063				.O-RING	1			
*-1	XKAY-00615				.SPOOL KIT	1	#0001 -	-	
N5	XKAY-00062				..SPOOL	4			NOT
N6	XKAY-00061				..SHIM	4			NOT
N7	XKAY-00060				..SPRING	4			NOT
N8	XKAY-00436				..SEAT-SPRING(1,3)	4	#0001 -	-	NOT
N9	XKAY-00058				..STOPPER	4			NOT
10	XKAY-00057				.SPRING	4	- #0197		
	XKAY-00078				.SPRING	4	#0198 -	D	
11	XKAY-00056				.PLUG	4	- #1779	-	
12	XKAY-00055				.SEAL-ROD	4	- #1779	-	
13	XKAY-00054				.O-RING	4	- #1779	-	
14	XKAY-00052				.ROD-PUSH	4	- #1779	-	
*-2	XKAY-00608				.PLUG KIT(1,3)	4	#1780 -	-	
11	XKAY-00610				..PLUG	4	#1780 -	D	
12	XKAY-00611				..SEAL-ROD	4	#1780 -	D	
13	XKAY-00054				..O-RING	4	#1780 -	A	

Item	Part_No	IS	Ord	T	Description	Qty	Serial_No	ITC	Remark
14	XKAY-00052				..ROD-PUSH	4	#1780 -	A	
15	XKAY-00075				.PLATE	1			
16	XKAY-00074				.BUSHING	1			
17	XKAY-00049				.JOINT ASSY	1			
18	XKAY-00073				.SWASH PLATE	1			
19	XKAY-00047				.NUT-HEX	1			
20	XKAY-00046				.NUT	1			
*-3	XKAY-00617				.HANDLE KIT(L)	1	#0001 -	-	
	XKAY-00616				.HANDLE KIT(R)	1	#0001 -	-	
N21	XKAY-00044				..CONNECTOR-HANDLE	1			NOT
N22	XKAY-00045				..O-RING	1			NOT
N23	XKAY-00043				..NUT	1			NOT
N24	XKAY-00042				..INSERT	1			NOT
N25	XKAY-00041				..BOOT	1			NOT
N26	XKAY-00040				..HANDLE-LH	1			NOT
	XKAY-00076				..HANDLE-RH	1			NOT
N27	XKAY-00039				..SWITCH ASSY	1			NOT
N28	XKAY-00038				..SCREW	1			NOT
N29	XKAY-00037				..SWITCH ASSY	1			NOT
N30	XKAY-00036				..COVER-SWITCH	1			NOT
N40	XKAY-00072				..BOOT	1			NOT
K	91ER-20050				SEAL KIT	1	- #1779		SEE ILLUSTR
	91ER-20051				SEAL KIT	1	#1780 -	D	SEE ILLUSTR
N	@				NOT INDIVIDUALLY SUPPLIED	1			NOT

DOZER BLADE CYLINDER(R140LCD-7)

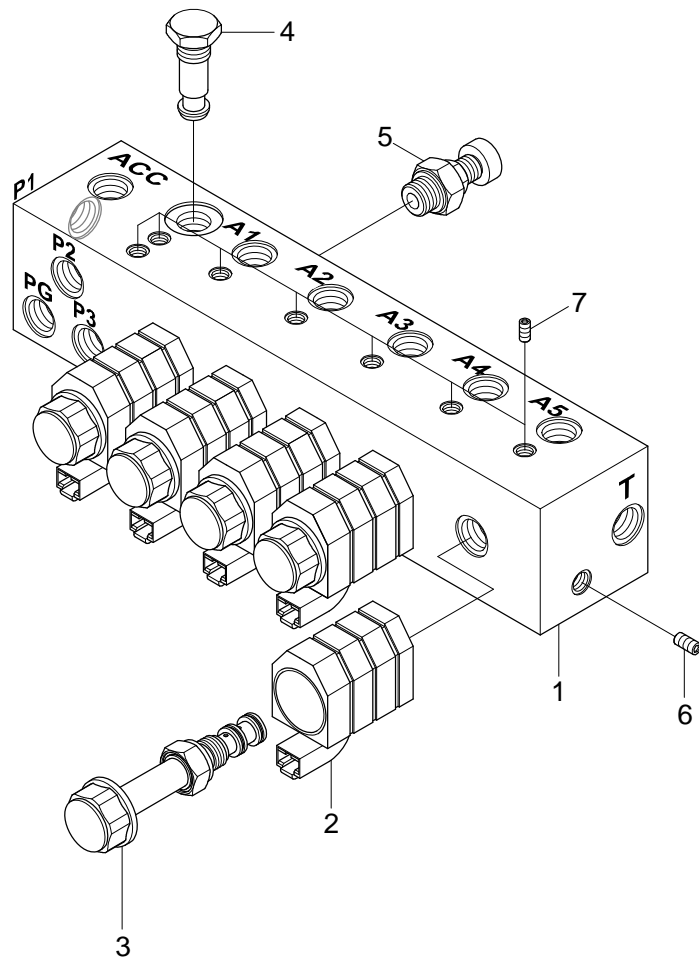


Description	Parts no	Included item
Dozer blade cylinder seal kit	31Y1-04032(#1371-)	5~8, 10, 11, 13~16
	31Y1-04031(-#1370)	

Item	Part_No	IS	Ord	T	Description	Qty	Serial_No	ITC	Remark
*	31E6-70020				DOZER CYLINDER-LH	1	- #1370		
	31N4-70010				DOZER BLADE CYL-LH	1	#1371 -	D	
	31E6-70010				DOZER CYLINDER-RH	1	- #1370		
	31N4-70020				DOZER BLADE CYL-RH	1	#1371 -	D	
*-1	31E6-75010				..DOZER CYL SUB ASSY-RH	1	#1371 -	-	
	31E6-75020				..DOZER CYL SUB ASSY-LH	1	#1371 -	-	
1	31Y1-03880				..TUBE ASSY-RH	1			
	31Y1-03870				..TUBE ASSY-LH	1			
2	31Y1-03930				..ROD ASSY	1			
3	31Y1-03960				..GLAND	1	- #1370		
	31Y1-03961				..GLAND	1	#1371 -	D	
4	S731-070040				..BUSHING-DU	1			
K5	Y260-070000				..SEAL-STEP	1	- #1370		
	Y240-070011				..RING-BUFFER	1	#1371 -	D	
K6	Y200-070011				..SEAL-ROD	1			
K7	Y180-070020				..RING-BACK UP	1			
K8	Y110-070011				..WIPER-DUST	1			
9	Y190-084000				..RING-SNAP	1			
K10	S631-090004				..O-RING	1			
K11	S641-090003				..RING-BACK UP	1			
12	31Y1-03970				..PISTON	1			
K13	S632-055004				..O-RING	1			
K14	S642-055003				..RING-BACK UP	2			
K15	Y420-100000				..SEAL-PISTON	1			
K16	Y310-100400				..RING-WEAR	1			

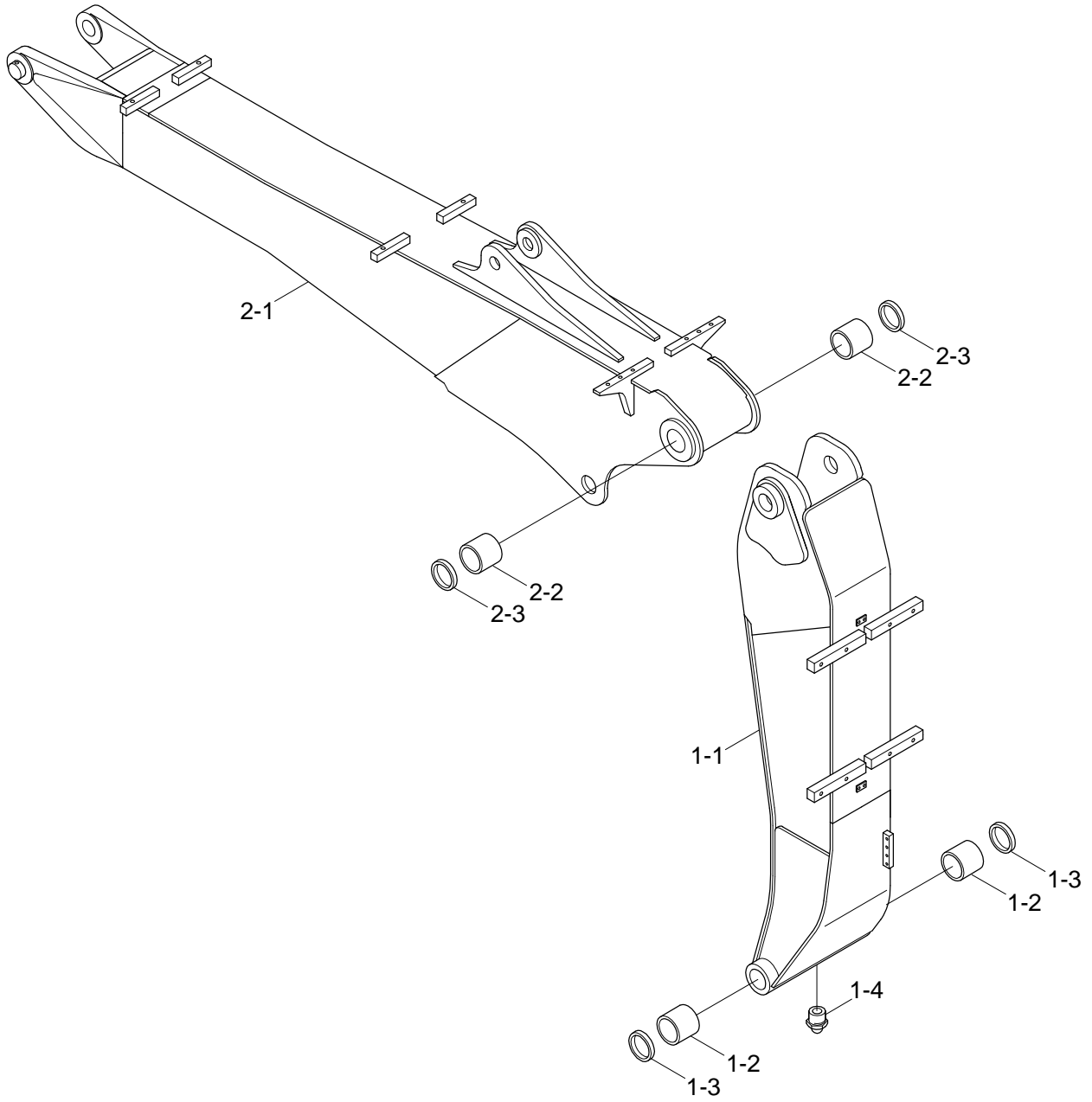
Item	Part_No	IS	Ord	T	Description	Qty	Serial_No	ITC	Remark
17	S113-080104				..SCREW-SET	1			
18	Y890-015011				..BALL-STEEL	1			
19	S109-160554				..BOLT-SOCKET	8			
29	31YC-12080				..BUSHING-PIN	2			
30	Y000-070200				..SEAL-DUST	4			
20	31Y1-03980				.BAND ASSY	1			
20-1	31Y1-03990				..BAND SUB ASSY	1			
20-2	S011-100352				..BOLT-HEX	2			
20-3	S411-100002				..WASHER-SPRING	4			
20-4	31YC-37010				..CLAMP-PIPE	1			
20-5	S011-100502				..BOLT-HEX	2			
26	31Y1-04010				.PIPE ASSY-RH	1	- #1370		
	31Y1-25000				.PIPE ASSY-RH	1	#1371 -	D	
	31Y1-04000				.PIPE ASSY-LH	1	- #1370		
	31Y1-24990				.PIPE ASSY-LH	1	#1371 -	D	
27	31YC-49060				.PORT-FLANGE	1	- #1370		
	31YC-49200				.PORT-FLANGE	1	#1371 -	D	
28	S107-080404				.BOLT-SOCKET	8			
K	31Y1-04031				SEAL KIT	1	- #1370		SEE ILLUSTR
	31Y1-04032				SEAL KIT	1	#1371 -	D	

SOLENOID VALVE



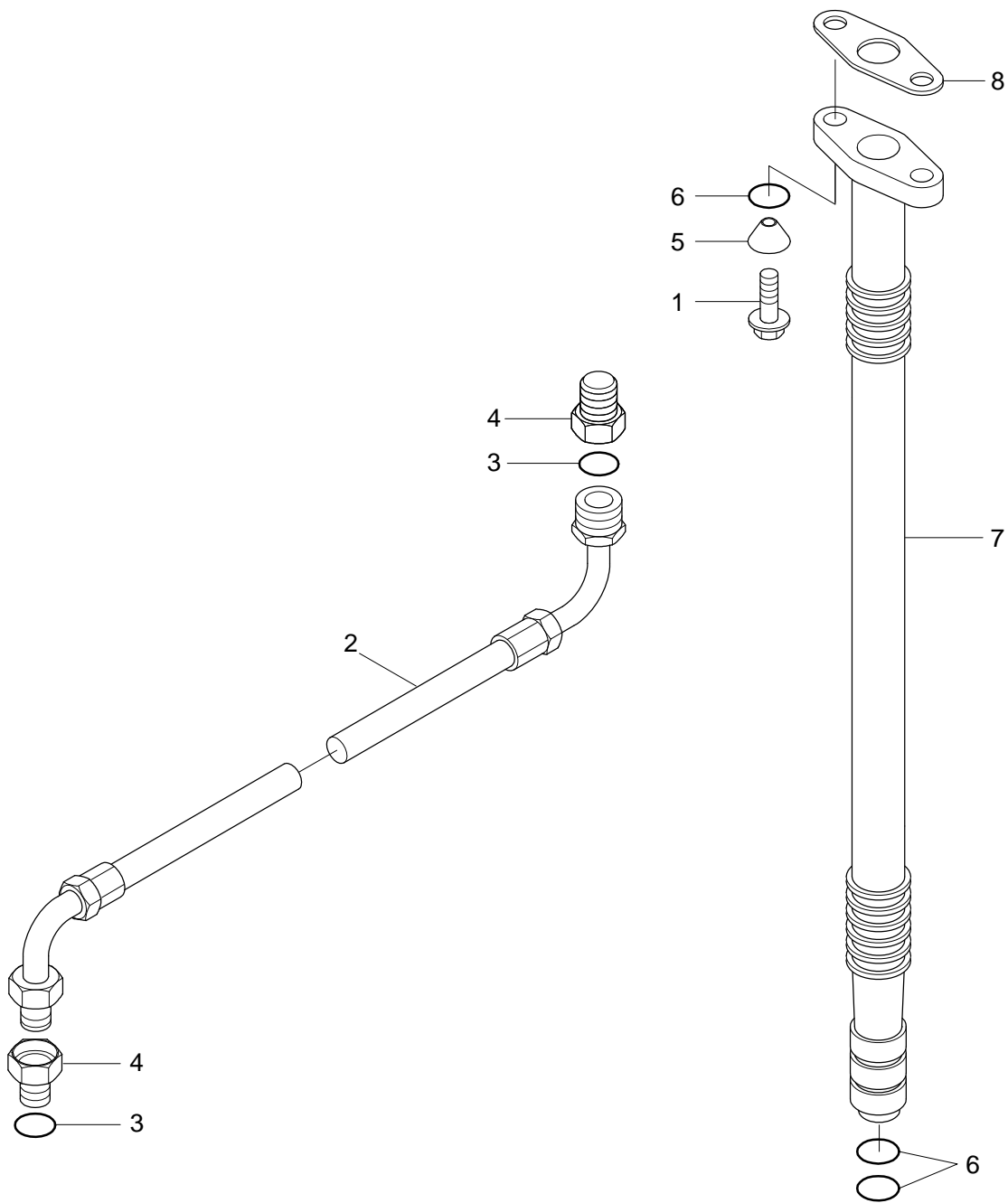
Item	Part_No	IS	Ord	T	Description	Qty	Serial_No	ITC	Remark
*	31N6-20142				SOLENOID VALVE	1	- #0135		
	31N4-22030				SOLENOID VALVE	1	#0136 -	B	
1	XKBL-00002				.BODY	1	- #0135		
	XKBL-00009				.BODY	1	#0136 -	B	
2	XKBL-00004				.COIL	5			
3	XKBL-00003				.VALVE-SOLENOID	5			
4	XKBL-00005				.VALVE-CHECK	1			
5	XKBL-00006				.OVERLOAD-MANUAL	1			
6	P220-430202				.PLUG	4	- #0135		
					.PLUG	5	#0136 -	A	
7	P220-430201				.PLUG	11			

BOOM(2 PIECE BOOM, #0234-)



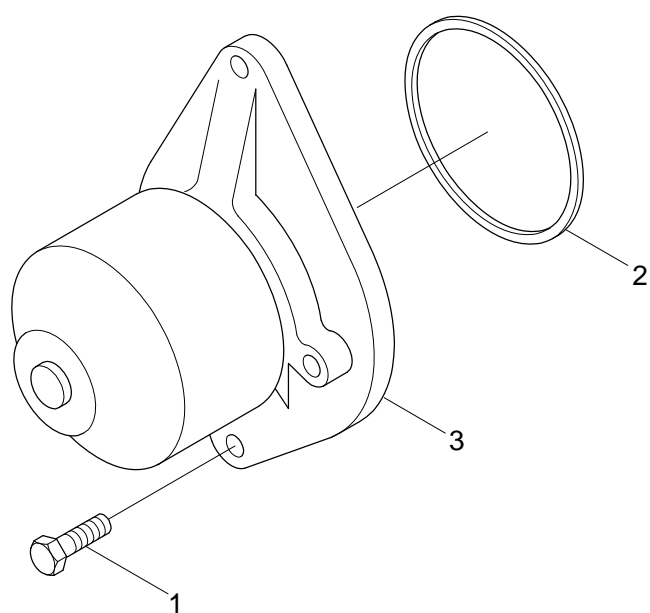
Item	Part_No	IS	Ord	T	Description	Qty	Serial_No	ITC	Remark
*	61N4-19000				BOOM ASSY(2-PCS 1ST)	1	#0234 -	-	
1-1	61N4-19010				.BOOM WA(2-PCS 1ST)	1			
1-2	61EN-12010				.BUSHING	2			
1-3	S700-070206				.DUST SEAL-DKIY TYPE	2			
1-4	S651-810002				.NIPPLE-GREASE	1			
*	61N4-19500				BOOM ASSY(2-PCS 2ND)	1	#0234 -	-	
2-1	61N4-19510				.BOOM WA(2-PCS 2ND)	1			
2-2	X122-702090				.BUSHING	2			
2-3	S700-070206				.DUST SEAL-DKIY TYPE	2			

TURBOCHARGER PLUMBING(#1001-#1494)



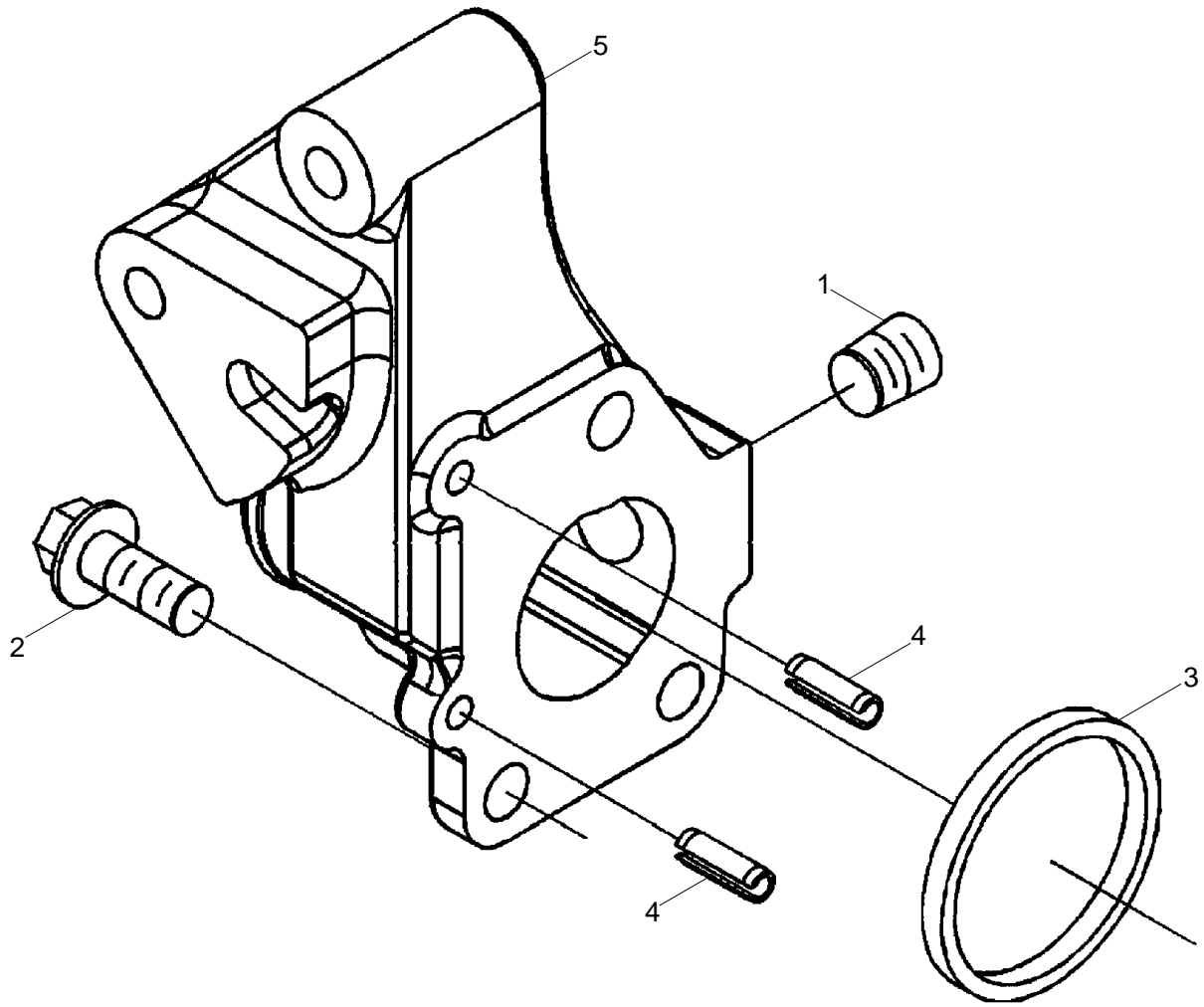
Item	Part_No	IS	Ord	T	Description	Qty	Serial_No	ITC	Remark
*	@				TURBOCHARGER PLUMBING	1	#1001 - #1494	-	NOT
1	3900630				SCREW-HEX HEAD CAP	2			TP97168
2	3909545				HOSE-FLEXIBLE	1			
*	3919687				CONNECTOR-FEMALE	2			
3	3037236				.SEAL/O-RING	1			
N4	3284244				.CONNECTOR	1			NOT
5	3924389				WASHER	2			
*	3934084				CONNECTION-TUR DRAIN	1			
6	3928624				.SEAL/O-RING	2			
N7	3934091				.CONNECTION-TUR DRAIN	1			NOT
8	3937706				GASKET-OIL DRAIN	1			
N	@				NOT INDIVIDUALLY SUPPLIED	AR			NOT

WATER PUMP(#1001-#1494)



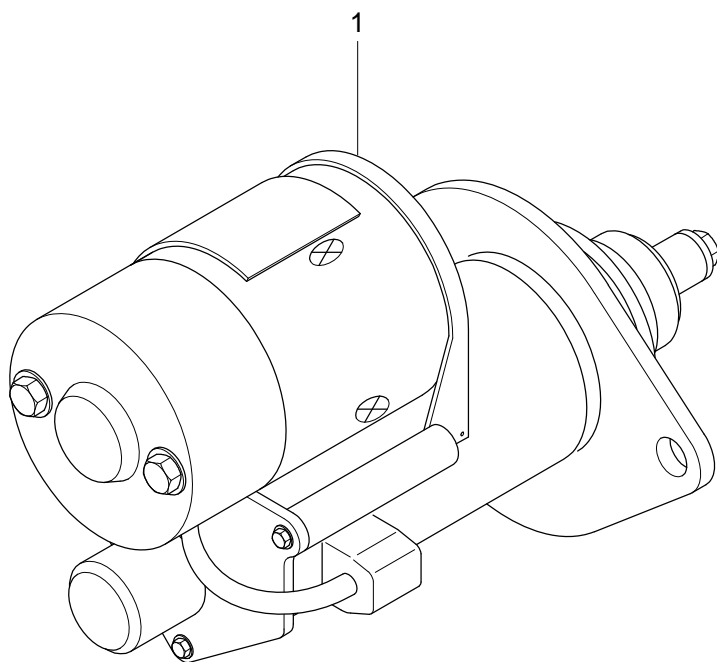
Item	Part_No	IS	Ord	T	Description	Qty	Serial_No	ITC	Remark
*	@				WATER PUMP	1	#1001 - #1494	-	NOT
1	3941981				SCREW	2			WP9950
*	3286277				KIT-WATER PUMP	1			
2	3906698				.SEAL-RECT RING	1			
N3	3285411				.PUMP-WATER	1			NOT
N	@				NOT INDIVIDUALLY SUPPLIED	AR			NOT

WATER INLET CONNECTION(#1001-#1494)



Item	Part_No	IS	Ord	T	Description	Qty	Serial_No	ITC	Remark
*	@				WATER INLET CONNECTION	1	#1001 - #1494	-	NOT
1	3008468				PLUG-PIPE	1			WI9178
2	3902460				SCREW-HEX HEAD CAP	3			
3	3906697				SEAL-RECT RING	1			
*	3943990				CONNECTION	1			
4	131584				.PIN-ROLL	2			
N5	3943991				.CONNECTION	1			NOT
N	@				NOT INDIVIDUALLY SUPPLIED	AR			NOT

STARTING MOTOR(#1495-)



Item	Part_No	IS	Ord	T	Description	Qty	Serial_No	ITC	Remark
*	@				STARTING MOTOR	1	#1495 -	-	NOT
N1	3864298				MOTOR-STARTING	1			NOT