



# Spare Parts Catalog

TBD 16 620V s/n 00002201446

<http://engine.od.ua>

*Use Bookmarks for navigation inside of the Parts Catalogue*

**Equipment information**

**Equipment:** 00002202275  
**Type:** TBD 8 620V  
**Output:** 0001016,0 kW  
**Speed:** 1800 1/min  
**Build date:** 01.01.2001  
**KLU-Number:**  
**ETL scope:** EU006090  
**MVS:** 713

**VKU date:** 28.02.2001  
**VKU' date:**  
**Commissioning date:** 15.04.2001  
**Begin of guarantee period:** 15.04.2001  
**Man. begin of guar. period:** no  
**End of guarantee period:**  
**ID maintenance contract:**  
**ID insurance contract:**  
**Guarantee package:** 24

## Assembly group directory

**Equipment:** 00002202275      **Engine type:** TBD 8 620V  
**Output:** 0001016,0 kW      **Speed:** 1800 1/min  
**ETL scope:** EU006090

CG	ETL-No.	Designation (en)	Designation (en)
<b>1</b>		<b>Crankcase</b>	
1	0508 1393	Crankc. end cover	Crankc. end cover
1	0508 1398	Engine mounting	Engine mounting
1	0508 5021	Tdc-pointer	Tdc-pointer
1	0508 5032	Cover	Cover
1	0508 5033	Cover	Cover
1	0508 5064	Cover	Cover
1	0508 5099	Cover	Cover
1	0508 5158	Disch./drain pipe	Disch./drain pipe
1	0508 5161	Piston cooling	Piston cooling
1	0508 5310	Crankcase	Crankcase
1	0508 5416	Service gauge	Service gauge
1	0508 5551	Crankcase breather	Crankcase breather
<b>2</b>		<b>Oil pan</b>	
2	0508 5500	Dipstick	Dipstick
2	0508 5501	Oil pan	Oil pan
<b>5</b>		<b>Crankshaft</b>	
5	0508 0852	Starter ring gear	Starter ring gear
5	0508 4062	Accessories	Accessories
5	0508 5000	Flywheel flange	Flywheel flange
5	0508 5004	Crankshaft access.	Crankshaft access.
5	0508 5005	Crankshaft access.	Crankshaft access.
5	0508 5006	Main bearing	Main bearing
5	0508 5511	Flywheel	Flywheel
5	0508 5535	Crankshaft	Crankshaft
<b>6</b>		<b>Connecting rod</b>	
6	0508 5083	Big end bearing	Big end bearing
6	0508 5401	Connecting rod	Connecting rod
<b>7</b>		<b>Piston</b>	
7	0508 5217	Piston	Piston
<b>8</b>		<b>Cylinder head</b>	
8	0508 1177	Valve mechan.cover	Valve mechan.cover
8	0508 2476	Regulator	Regulator
8	0508 3567	Regulator	Regulator
8	0508 4310	Cool.water passage	Cool.water passage
8	0508 5062	Installation parts	Installation parts
8	0508 5751	Cylinder head	Cylinder head
8	0508 5820	Sealing ring	Sealing ring
<b>9</b>		<b>Timing chest</b>	
9	0508 5022	Crankc. end cover	Crankc. end cover
9	0508 5050	Idler gear	Idler gear
9	0508 5056	Idler bearing	Idler bearing
9	0508 5058	Idler gear	Idler gear
9	0508 5086	Toothed gear	Toothed gear
9	0508 5091	Toothed gear	Toothed gear
<b>10</b>		<b>Camshaft</b>	
10	0508 5057	Support	Support
10	0508 5087	Toothed gear	Toothed gear
10	0508 5088	Fastenings	Fastenings
10	0508 5508	Camshaft	Camshaft

<b>Equipment:</b>	00002202275	<b>Engine type:</b>	TBD 8 620V
<b>Output:</b>	0001016,0 kW	<b>Speed:</b>	1800 1/min
<b>ETL scope:</b>	EU006090		

<b>CG</b>	<b>ETL-No.</b>	<b>Designation (en)</b>	<b>Designation (en)</b>
<b>11</b>		<b>Timing gears</b>	
11	0508 5092	Valve drive	Valve drive
<b>14</b>		<b>Lube oil pump</b>	
14	0508 2121	Installation parts	Installation parts
14	0508 5361	Lubricat. oil pump	Lubricat. oil pump
<b>15</b>		<b>Lube oil/-cooler</b>	
15	0508 5036	Oil filter	Oil filter
15	0508 5046	Bracket	Bracket
15	0508 5053	Blank flange	Blank flange
15	0508 5067	Oil centrifuge	Oil centrifuge
15	0508 5139	Oil cooler	Oil cooler
<b>16</b>		<b>Oil pipes</b>	
16	0508 5001	Lubricat. oil line	Lubricat. oil line
16	0508 5008	Oil line	Oil line
16	0508 5015	Pressure oil line	Pressure oil line
16	0508 5042	Manifold	Manifold
16	0508 5051	Oil line	Oil line
16	0508 5077	Oil line	Oil line
16	0508 5078	Oil line	Oil line
16	0508 5174	Oil drain pipe	Oil drain pipe
16	0508 5281	Oil suction line	Oil suction line
16	0508 5324	Oil line	Oil line
16	0508 5325	Press.relief valve	Press.relief valve
16	0508 5338	Lubricat. oil line	Lubricat. oil line
16	0508 5370	Blanking parts	Blanking parts
16	0508 5372	Priming set assy	Priming set assy
16	0508 5520	Oil line	Oil line
16	0508 5522	Oil line	Oil line
<b>17</b>		<b>Injection pump</b>	
17	0508 1246	Indicator	Indicator
17	0508 2139	Fastenings	Fastenings
17	0508 2586	Cover	Cover
17	0508 4177	Fuel inject. pump	Fuel inject. pump
<b>18</b>		<b>Injection pump drive</b>	
18	0508 5059	Support	Support
18	0508 5314	Inject. pump drive	Inject. pump drive
<b>19</b>		<b>Injector</b>	
19	0508 2165	Clamping yoke	Clamping yoke
19	0508 2166	Installation parts	Installation parts
19	0508 5094	Fuel injector	Fuel injector
<b>20</b>		<b>Fuel filter</b>	
20	0508 5136	Fuel pump	Fuel pump
20	0508 5512	Fastenings	Fastenings
20	0508 5554	Fuel filter	Fuel filter
<b>21</b>		<b>Fuel pipes/fuel tank</b>	
21	0508 1322	Leak off line	Leak off line
21	0508 5200	Accessories	Accessories
21	0508 5214	High pressure pipe	High pressure pipe
21	0508 5517	Manifold	Manifold
21	0508 5518	Distributor panel	Distributor panel
21	0508 5523	Fuel line	Fuel line

<b>Equipment:</b>	00002202275	<b>Engine type:</b>	TBD 8 620V
<b>Output:</b>	0001016,0 kW	<b>Speed:</b>	1800 1/min
<b>ETL scope:</b>	EU006090		

<b>CG</b>	<b>ETL-No.</b>	<b>Designation (en)</b>	<b>Designation (en)</b>
21	0508 5524	Fuel line	Fuel line
21	0508 5525	Fuel line	Fuel line
21	0508 5528	Fuel pump	Fuel pump
<b>22</b>		<b>Suction pipe/air cleaner</b>	
22	0508 5545	Filter housing	Filter housing
<b>27</b>		<b>Speed control</b>	
27	0508 5085	Speed governor	Speed governor
<b>34</b>		<b>Vibration damper</b>	
34	0508 5509	Tors.vibrat.damper	Tors.vibrat.damper
34	0508 5510	Fastenings	Fastenings
<b>36</b>		<b>Water cooler</b>	
36	0508 5140	Housing	Housing
36	0508 5345	Bracket	Bracket
<b>37</b>		<b>Cooling water pump</b>	
37	0508 5024	Cooling water pump	Cooling water pump
37	0508 5109	Cooling water pump	Cooling water pump
37	0508 5150	Cooling water pump	Cooling water pump
37	0508 5151	Cooling water pump	Cooling water pump
<b>38</b>		<b>Water pipes</b>	
38	0506 1490	Temper. controller	Temper. controller
38	0508 2413	Welding flange	Welding flange
38	0508 2416	Compensator	Compensator
38	0508 2417	Breather line	Breather line
38	0508 4160	Accessories	Accessories
38	0508 5047	Cooling water line	Cooling water line
38	0508 5095	Cooling water line	Cooling water line
38	0508 5096	Cooling water line	Cooling water line
38	0508 5105	Bracket	Bracket
38	0508 5143	Cooling water line	Cooling water line
38	0508 5149	Cooling water line	Cooling water line
38	0508 5211	Cooling water line	Cooling water line
38	0508 5514	Cooling water line	Cooling water line
38	0508 5515	Cooling water line	Cooling water line
38	0508 5531	Cooling water line	Cooling water line
38	0508 5532	Cooling water line	Cooling water line
38	0508 5533	Cooling water line	Cooling water line
38	0508 5534	Cooling water line	Cooling water line
<b>41</b>		<b>Exhaust manifold</b>	
41	0508 4142	Compensator	Compensator
41	0508 5317	Exhaust pipe	Exhaust pipe
41	0508 5319	Exhaust gas bend	Exhaust gas bend
<b>43</b>		<b>Turbocharger</b>	
43	0508 5111	Turbocharger	Turbocharger
43	0508 5320	Accessories	Accessories
<b>44</b>		<b>Alternator/starter motor</b>	
44	0502 9457	Parts of alternat.	Parts of alternat.
44	0502 9977	Parts start.motor	Parts start.motor
44	0505 0426	Generator	Generator
44	0508 0525	Starter motor	Starter motor
44	0508 1232	Hose assembly	Hose assembly

<b>Equipment:</b>	00002202275	<b>Engine type:</b>	TBD 8 620V
<b>Output:</b>	0001016,0 kW	<b>Speed:</b>	1800 1/min
<b>ETL scope:</b>	EU006090		

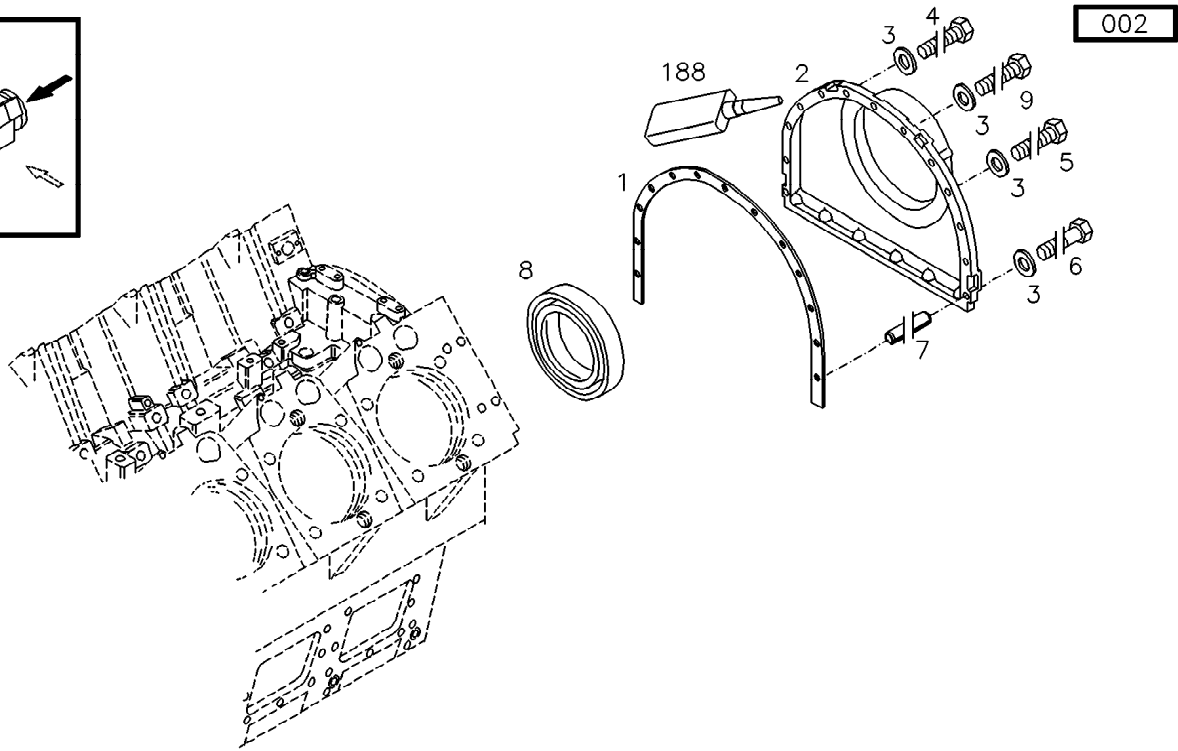
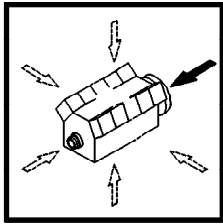
<b>CG</b>	<b>ETL-No.</b>	<b>Designation (en)</b>	<b>Designation (en)</b>
44	0508 5138	Bracket	Bracket
44	0508 5507	Drive	Drive
<b>47</b>		<b>Engine mounting, flexible</b>	
47	0508 5432	Silentbloc	Silentbloc
47	0508 5540	Accessories	Accessories
<b>48</b>		<b>Electrical accessories</b>	
48	0508 4368	Electromagnet	Electromagnet
48	0508 5237	Switch mounting	Switch mounting
48	0508 5267	Monitoring	Monitoring
48	0508 5437	Tacho-generator	Tacho-generator
<b>49</b>		<b>Tools</b>	
49	0501 8702	Turn-over gear	Turn-over gear
49	0508 3591	Toolkit	Toolkit
<b>57</b>		<b>V-belt guard</b>	
57	0508 5289	Protection	Protection
<b>58</b>		<b>Intercooler</b>	
58	0508 1954	Cover	Cover
58	0508 4383	Charge air cooler	Charge air cooler
58	0508 5017	Radiator bracket	Radiator bracket
58	0508 5018	Radiator bracket	Radiator bracket
58	0508 5526	Cover	Cover
58	0508 5527	Cover	Cover
58	0508 5529	Cooler assembly	Cooler assembly
<b>63</b>		<b>Starting aid</b>	
63	0508 2517	Heater connection	Heater connection
<b>87</b>		<b>Charge air pipe</b>	
87	0508 1363	Air guidance	Air guidance
87	0508 2250	Air guidance	Air guidance
87	0508 2251	Bush	Bush
87	0508 2252	Cover	Cover
87	0508 2485	Cover	Cover
87	0508 5318	Charge air pipe	Charge air pipe
87	0508 5506	Intake manifold	Intake manifold
<b>90</b>		<b>Set of parts</b>	
90	0508 5902	Gasket set	Gasket set
90	0508 5908	Gasket set	Gasket set
<b>98</b>		<b>Optional extras</b>	
98	1509 4988	Controller/meter	Controller/meter
98	1509 4989	Potentiometer	Potentiometer
98	1509 4990	Cable harness	Cable harness
98	1509 4991		

ETL no.: 0508 1393 Crankc. end cover

Constr. Group: 01

Equipment: 00002201446  
 Output: 0002032,0 kW  
 ETL scope: EU197516

Engine type: TBD16 620V  
 Speed: 1800 1/min



0508 1393

Item	Material	Kit	MS	VS	Quant	Unit	Ord	Designation (en)	Designation (en)	Remark
1	12028085				1	ST		Gasket	Gasket	
2	12027708				1	ST		Crankc. end cover	Crankc. end cover	
3	01151019	90	90	12		ST		Plain washer	Plain washer	
4	01137083	20	20	3		ST		Hexagon bolt	Hexagon bolt	
5	01112333	20	20	6		ST		Hexagon bolt	Hexagon bolt	
6	01111156				2	ST		Hexagon bolt	Hexagon bolt	
7	01176661				2	ST		Straight pin	Straight pin	
8	12029427				1	ST		Rot.shaft lip seal	Rot.shaft lip seal	
9	01112339	20	20	2		ST		Hexagon bolt	Hexagon bolt	
188	01016122	20	20	1		KG		Packing compound	Packing compound	

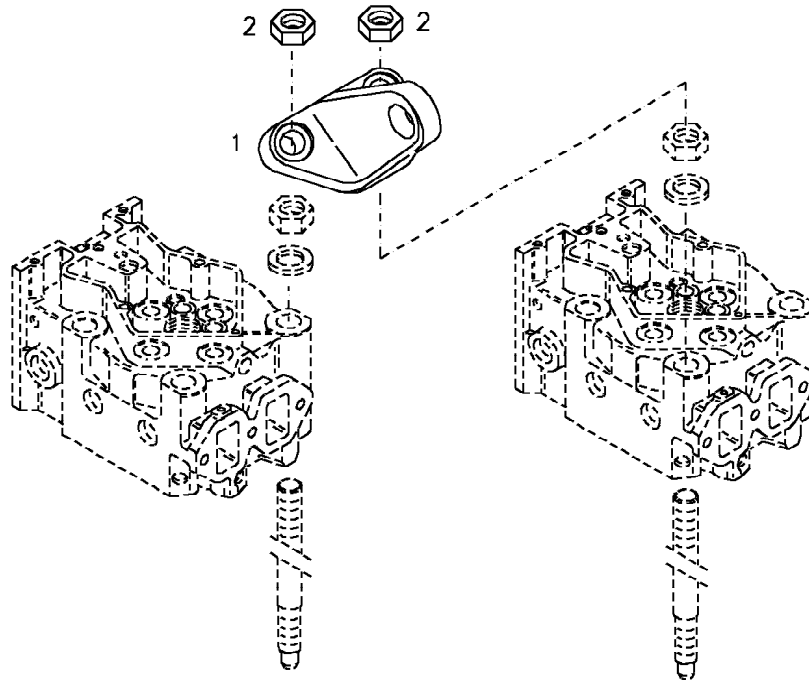
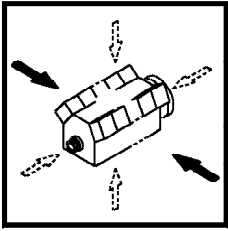
ETL no.: 0508 1398 Engine mounting

Constr. Group: 01

Equipment: 00002201446  
 Output: 0002032,0 kW  
 ETL scope: EU197516

Engine type: TBD16 620V  
 Speed: 1800 1/min

003 ©



Item	Material	Kit	MS	VS	Quant	Unit	Ord	Designation (en)	Designation (en)	Remark
1	12047245				1	ST		Engine mounting	Engine mounting	
2	01113200				2	ST		Hexagon nut	Hexagon nut	



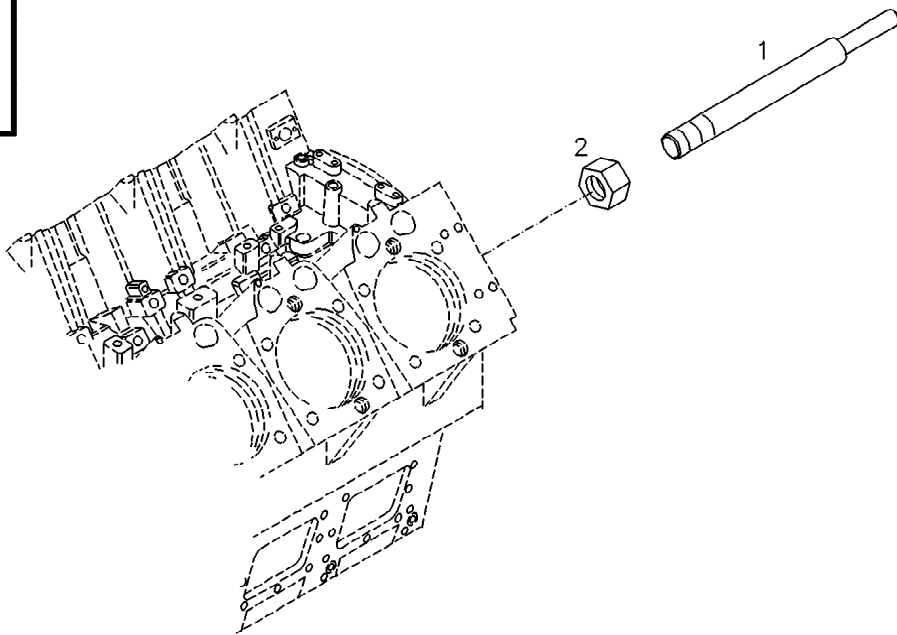
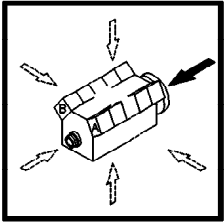
ETL no.: 0508 5021 Tdc-pointer

Constr. Group: 01

Equipment: 00002201446  
 Output: 0002032,0 kW  
 ETL scope: EU197516

Engine type: TBD16 620V  
 Speed: 1800 1/min

002



0508 5021

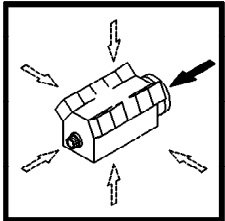
Item	Material	Kit	MS	VS	Quant	Unit	Ord	Designation (en)	Designation (en)	Remark
1	12302197				1	ST		Tdc-pointer	Tdc-pointer	
2	01139401		20	20	1	ST		Hexagon nut	Hexagon nut	

ETL no.: 0508 5032 Cover

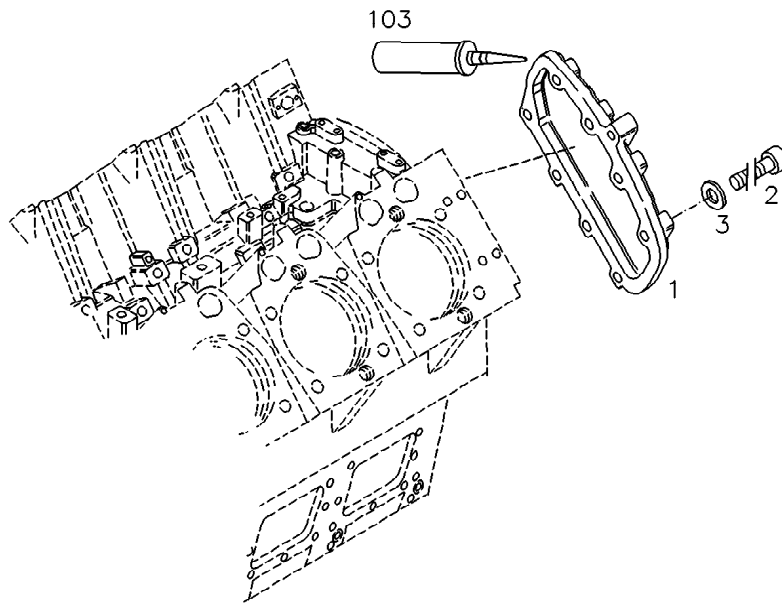
Constr. Group: 01

Equipment: 00002201446  
 Output: 0002032,0 kW  
 ETL scope: EU197516

Engine type: TBD16 620V  
 Speed: 1800 1/min



002 ©



0508 5032

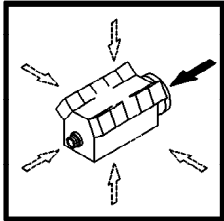
Item	Material	Kit	MS	VS	Quant	Unit	Ord	Designation (en)	Designation (en)	Remark
1	12302082	90	90	1	1	ST		Cover	Cover	
2	01144736			8	8	ST		Cheese head screw	Cheese head screw	
3	01107548			8	8	ST		Plain washer	Plain washer	
103	01016120	20	20	1	1	KG		Packing compound	Packing compound	

ETL no.: 0508 5033 Cover

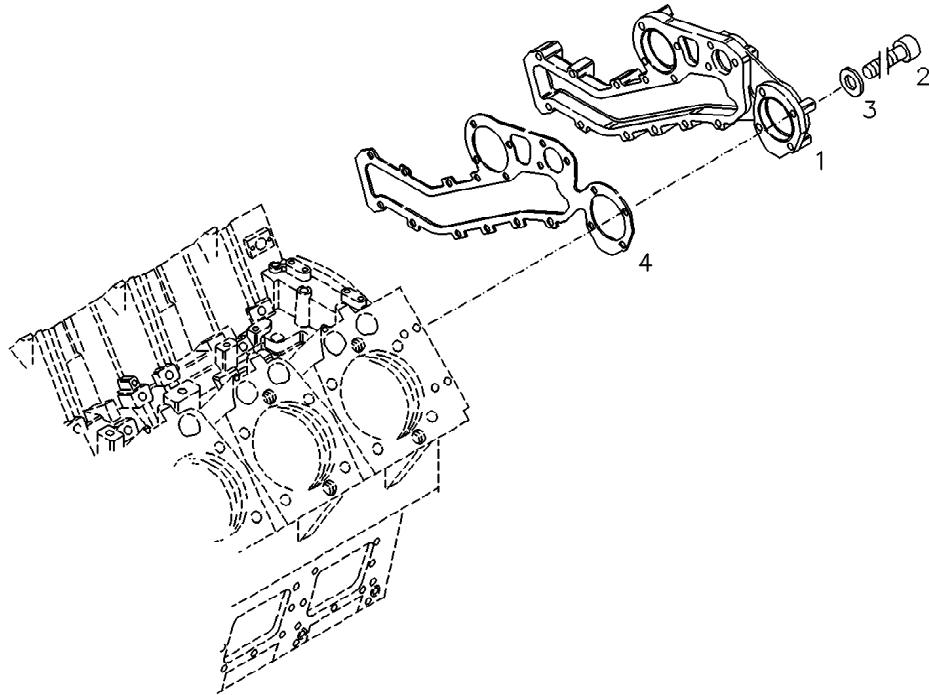
Constr. Group: 01

Equipment: 00002201446  
 Output: 0002032,0 kW  
 ETL scope: EU197516

Engine type: TBD16 620V  
 Speed: 1800 1/min



003 ©



0508 5033

Item	Material	Kit	MS VS	Quant	Unit	Ord	Designation (en)	Designation (en)	Remark
1	12304134			1	ST		Cover	Cover	
2	01144736			22	ST		Cheese head screw	Cheese head screw	
3	01107548			22	ST		Plain washer	Plain washer	
4	12304077	Kit !		1	ST		Gasket	Gasket	

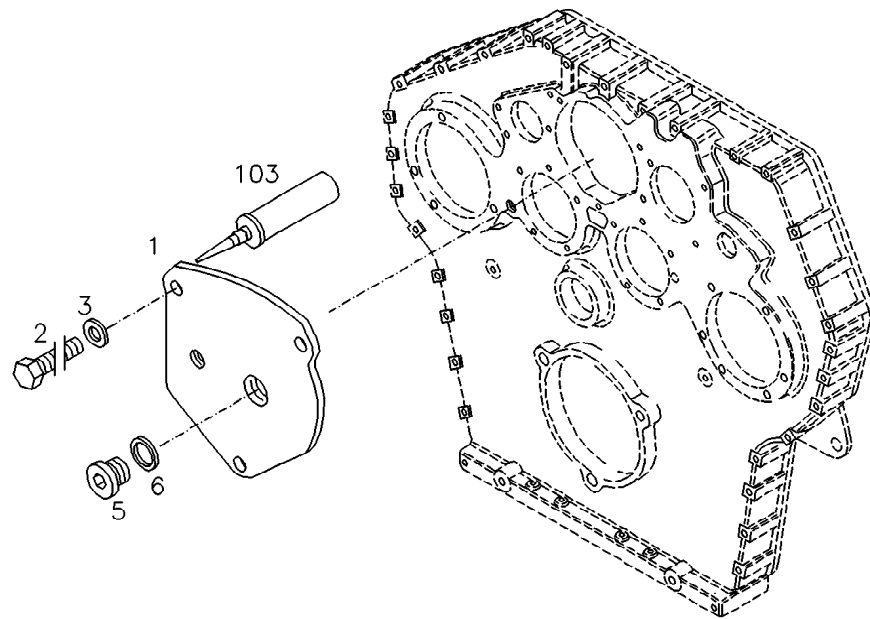
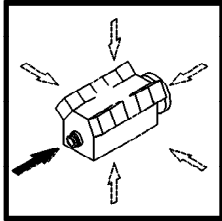
ETL no.: 0508 5064 Cover

Constr. Group: 01

Equipment: 00002201446  
 Output: 0002032,0 kW  
 ETL scope: EU197516

Engine type: TBD16 620V  
 Speed: 1800 1/min

002 ©



0508 5064

Item	Material	Kit	MS	VS	Quant	Unit	Ord	Designation (en)	Designation (en)	Remark
1	12302260				1	ST		Cover	Cover	
2	01148230				3	ST		Hexagon bolt	Hexagon bolt	
3	01107548				3	ST		Plain washer	Plain washer	
5	01137208				1	ST		Screw plug	Screw plug	
6	01118727				1	ST		Sealing ring	Sealing ring	
103	01016120	20	20		1	KG		Packing compound	Packing compound	

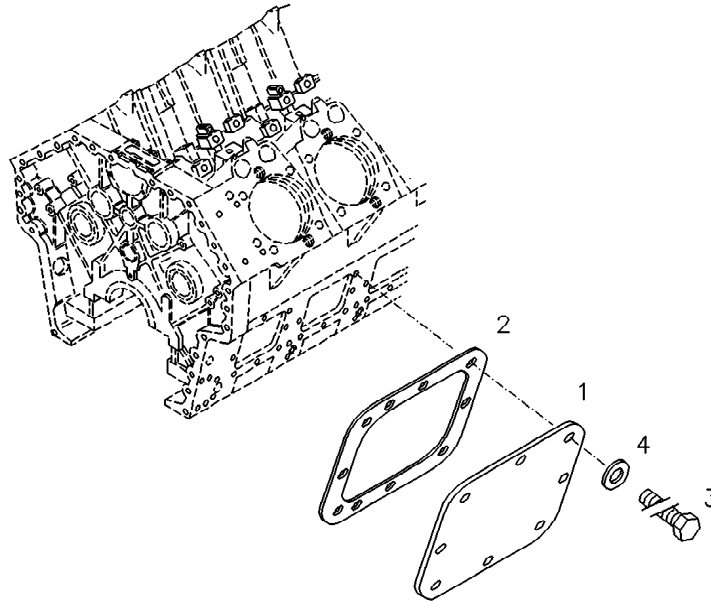
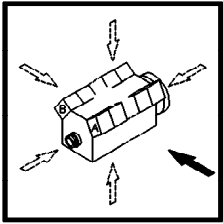
ETL no.: 0508 5099 Cover

Constr. Group: 01

Equipment: 00002201446  
 Output: 0002032,0 kW  
 ETL scope: EU197516

Engine type: TBD16 620V  
 Speed: 1800 1/min

001



0508 5099

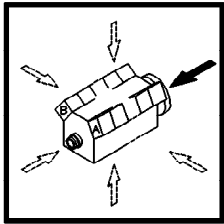
Item	Material	Kit	MS	VS	Quant	Unit	Ord	Designation (en)	Designation (en)	Remark
1	12302310				1	ST		Cover	Cover	
2	12302184	Kit !			1	ST		Gasket	Gasket	
3	01137083		20	20	8	ST		Hexagon bolt	Hexagon bolt	
4	01132562		20	20	8	ST		Plain washer	Plain washer	

ETL no.: 0508 5158 Disch./drain pipe

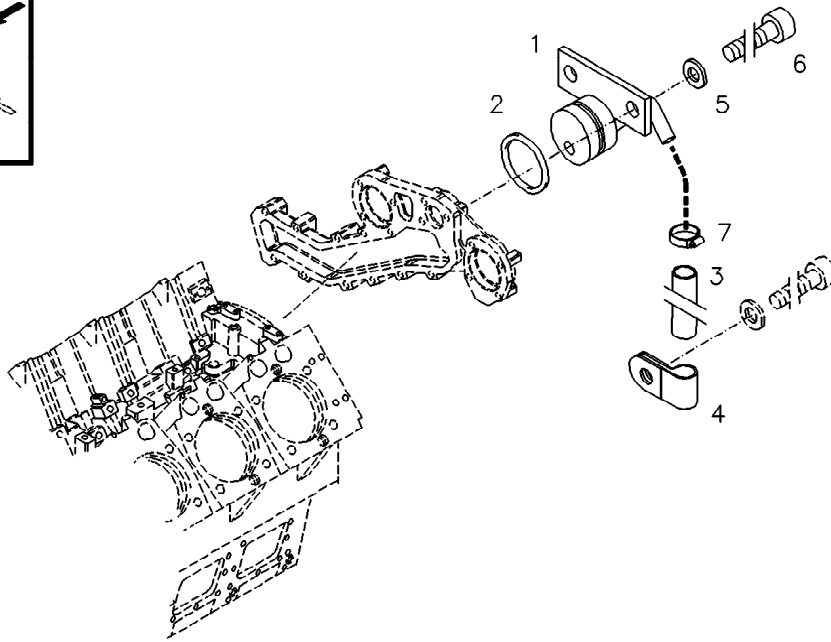
Constr. Group: 01

Equipment: 00002201446  
 Output: 0002032,0 kW  
 ETL scope: EU197516

Engine type: TBD16 620V  
 Speed: 1800 1/min



001



0508 5158

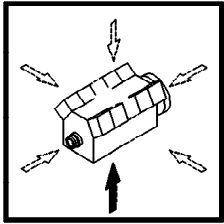
Item	Material	Kit	MS	VS	Quant	Unit	Ord	Designation (en)	Designation (en)	Remark
1	12302634				1	ST		Connector	Connector	
2	01153878				1	ST		O-seal	O-seal	
3	01154288				1	M		Hose	Hose	
4	01174170				2	ST		Pipe clamp	Pipe clamp	
5	01151187	Kit !	20	20	2	ST		Plain washer	Plain washer	
6	01151500		20	20	2	ST		Cheese head screw	Cheese head screw	
7	01173962				1	ST		Hose clip	Hose clip	

ETL no.: 0508 5161 Piston cooling

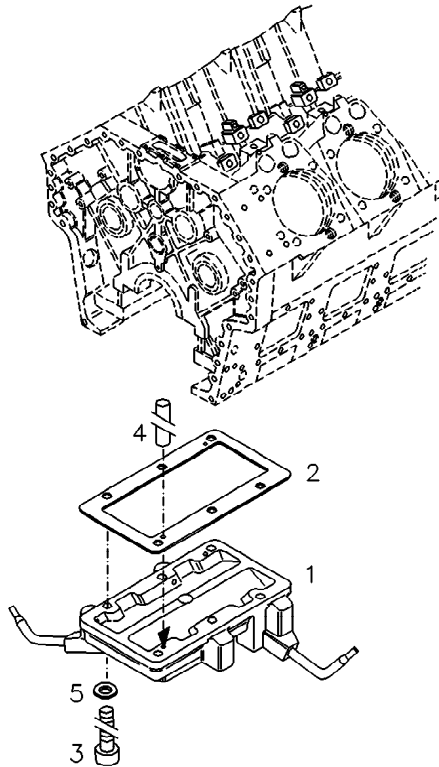
Constr. Group: 01

Equipment: 00002201446  
 Output: 0002032,0 kW  
 ETL scope: EU197516

Engine type: TBD16 620V  
 Speed: 1800 1/min



003



0508 5161

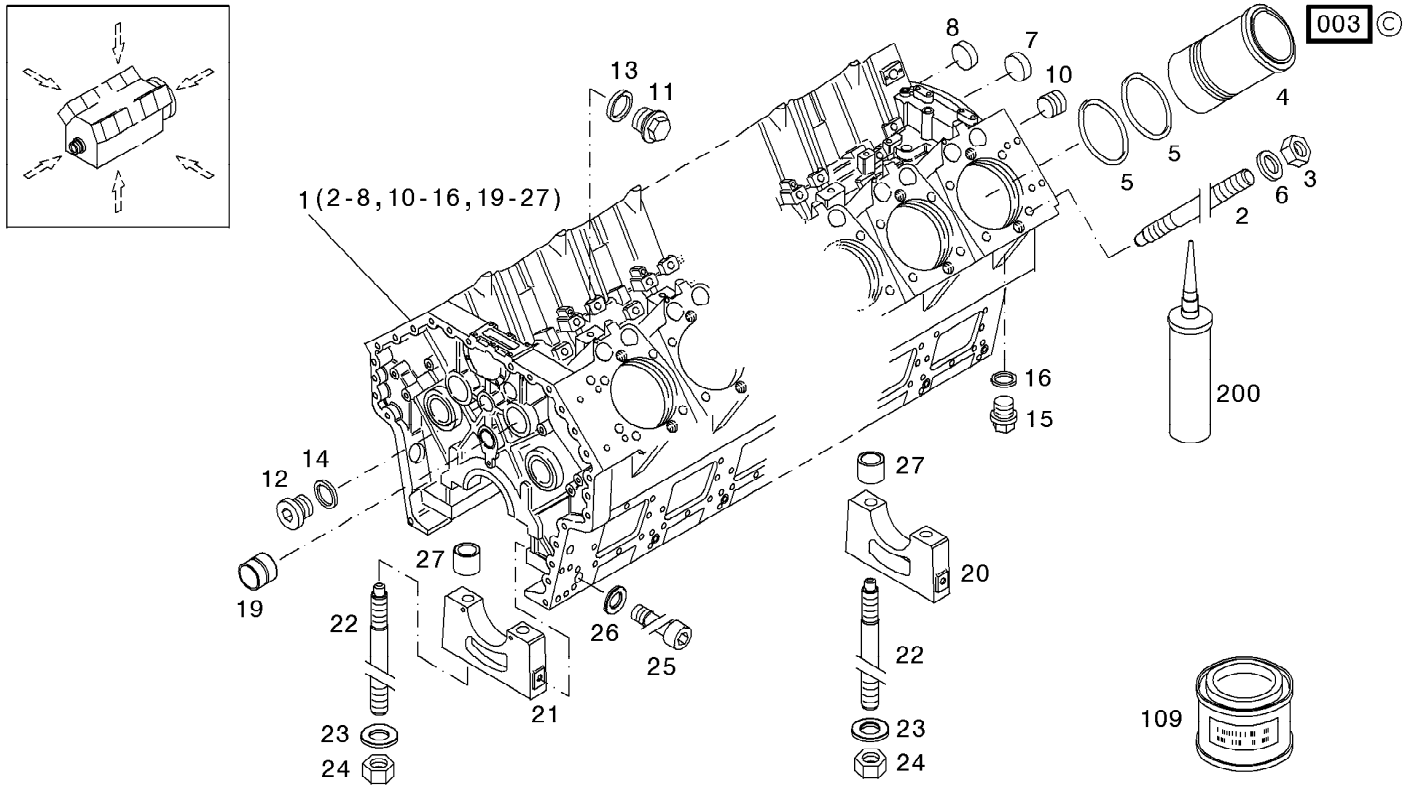
Item	Material	Kit	MS	VS	Quant	Unit	Ord	Designation (en)	Designation (en)	Remark
1	12302875	Kit !			1	ST		Cover	Cover	
2	12302404	Kit !			1	ST		Gasket	Gasket	
3	01151503	Kit !			6	ST		Cheese head screw	Cheese head screw	
4	01105134	Kit !			2	ST		Parallel pin	Parallel pin	
5	01151187	Kit !	20	20	6	ST		Plain washer	Plain washer	

ETL no.: 0508 5247 Crankcase

Constr. Group: 01

Equipment: 00002201446  
 Output: 0002032,0 kW  
 ETL scope: EU197516

Engine type: TBD16 620V  
 Speed: 1800 1/min



Item	Material	Kit	MS	VS	Quant	Unit	Ord	Designation (en)	Designation (en)	Remark
1	12302046				1	ST		Crankcase	Crankcase	WITH ITEM... (2-8,10-16,19-27)
2	12303038	Kit !			64	ST		Stud	Stud	
3	01176614				64	ST		Hexagon nut	Hexagon nut	
4	12302697	Kit !	20	20	16	ST		Cylinder liner	Cylinder liner	
5	12027235	Kit !	10	10	32	ST		O-ring	O-ring	
6	01176709				64	ST		Plain washer	Plain washer	
7	01165835				2	ST		Core hole plug	Core hole plug	
8	01165841				3	ST		Core hole plug	Core hole plug	
10	01102140		20	20	2	ST		Screw plug	Screw plug	
11	01152105		20	20	76	ST		Screw plug	Screw plug	
12	01139505				1	ST		Screw plug	Screw plug	
13	01102146	Kit !			76	ST		Sealing ring	Sealing ring	
14	01118841				1	ST		Sealing ring	Sealing ring	
15	01110445				3	ST		Screw plug	Screw plug	
16	01124011				3	ST		Sealing ring	Sealing ring	
19	12027574	Kit !			18	ST		Bearing bush	Bearing bush	
20	12302052				8	ST		Bearing cap	Bearing cap	
21	12302053				1	ST		Bearing cap	Bearing cap	
22	12302024	Kit !			18	ST		Stud	Stud	
23	12302064	Kit !			18	ST		Plain washer	Plain washer	
24	01181415	Kit !			18	ST		Hexagon nut	Hexagon nut	
25	01180087				18	ST		Cheese head screw	Cheese head screw	
26	12302015				18	ST		Plain washer	Plain washer	
27	12302014				18	ST		Bush	Bush	



ETL no.: 0508 5247 Crankcase

Constr. Group: 01

Equipment: 00002201446  
Output: 0002032,0 kW  
ETL scope: EU197516

Engine type: TBD16 620V  
Speed: 1800 1/min

Item	Material	Kit	MS	VS	Quant	Unit	Ord	Designation (en)	Designation (en)	Remark
109	01001202		90	90	1	KG		Packing compound	Packing compound	
200	01016232				1	KG		Packing compound	Packing compound	

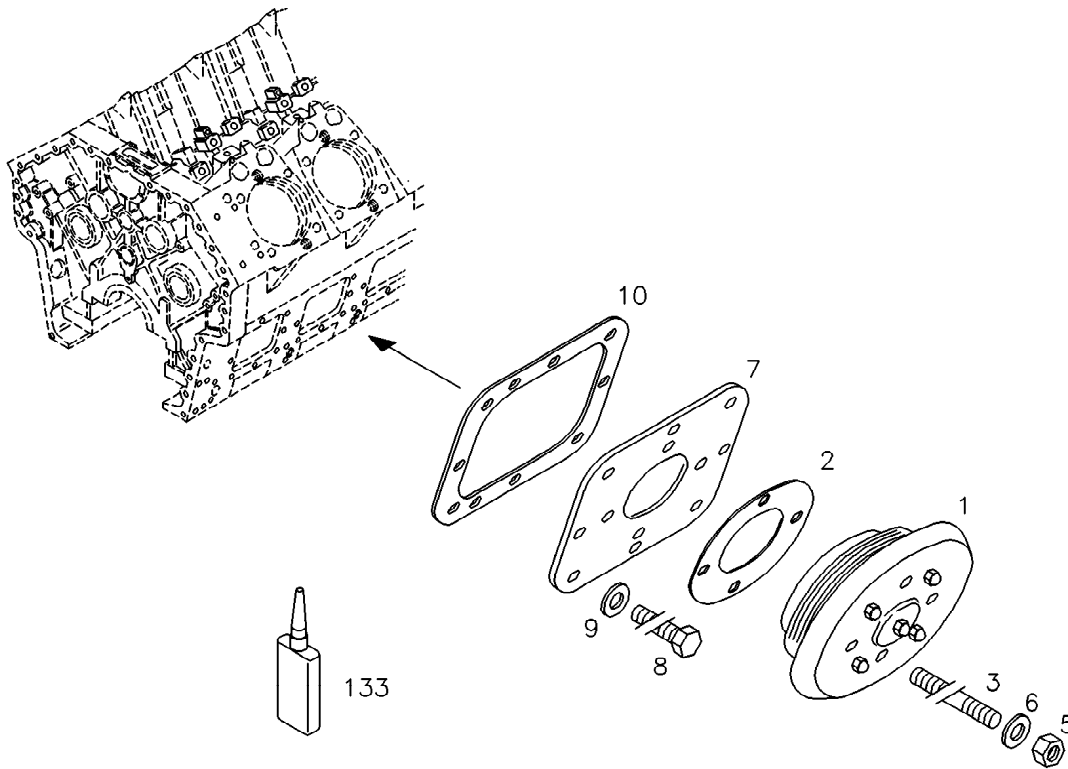
ETL no.: 0508 5276 Safety valve

Constr. Group: 01

Equipment: 00002201446  
 Output: 0002032,0 kW  
 ETL scope: EU197516

Engine type: TBD16 620V  
 Speed: 1800 1/min

000



0508 5276

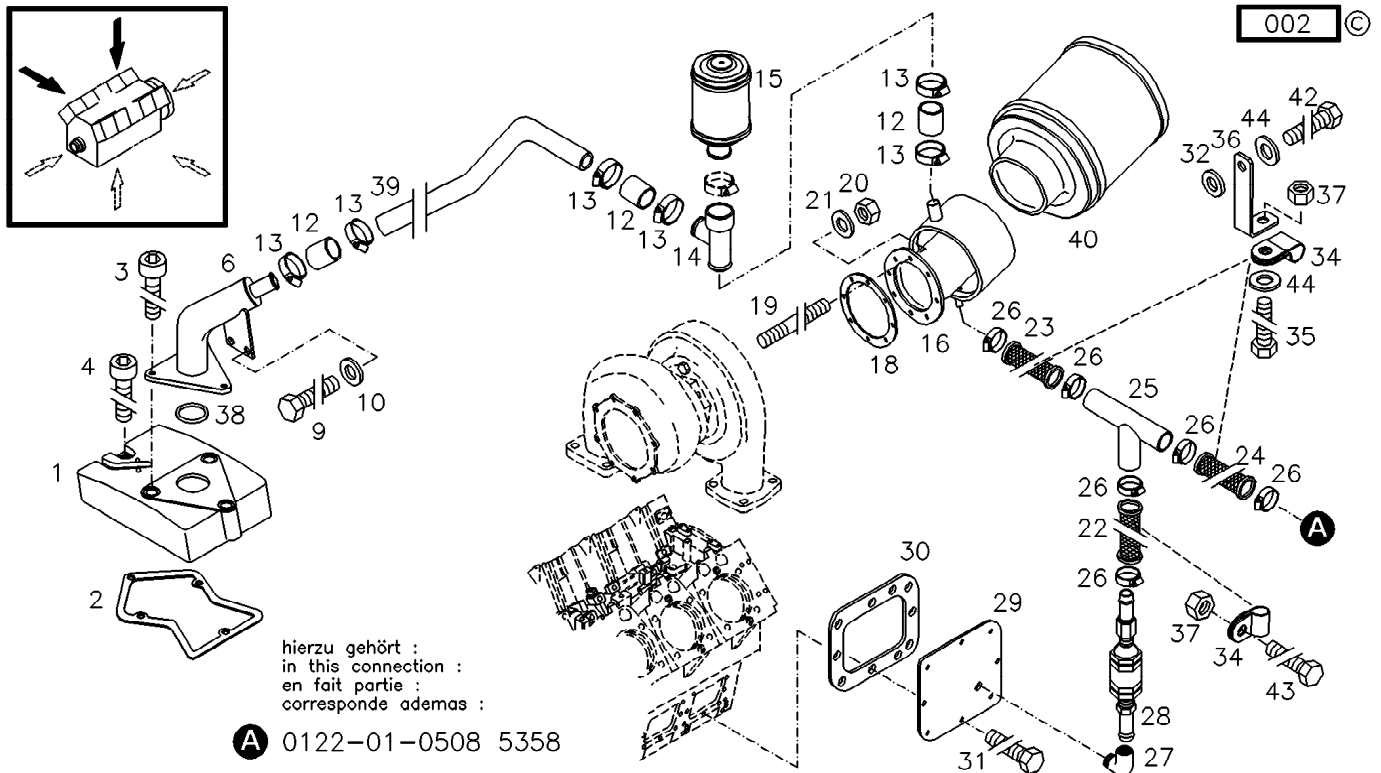
Item	Material	Kit	MS	VS	Quant	Unit	Ord	Designation (en)	Designation (en)	Remark
1	12303258				1	ST		Relief valve	Relief valve	
2	12303189				1	ST		Gasket	Gasket	
3	01153360				4	ST		Stud	Stud	
5	01139401		20	20	4	ST		Hexagon nut	Hexagon nut	
6	01107105		20	20	4	ST		Plain washer	Plain washer	
7	12303188				1	ST		Cover	Cover	
8	01112333		20	20	8	ST		Hexagon bolt	Hexagon bolt	
9	01107101		20	20	8	ST		Plain washer	Plain washer	
10	12302184	Kit !			1	ST		Gasket	Gasket	
133	01016113				1	ST		Safety/lock.agent	Safety/lock.agent	

ETL no.: 0508 5357 Crankcase breather

Constr. Group: 01

Equipment: 00002201446  
 Output: 0002032,0 kW  
 ETL scope: EU197516

Engine type: TBD16 620V  
 Speed: 1800 1/min



0508 5357

Item	Material	Kit	MS	VS	Quant	Unit	Ord	Designation (en)	Designation (en)	Remark
1	12304570			AW	1	ST		Valve mechan.cover	Valve mechan.cover	
2	12032892	Kit !			1	ST		Gasket	Gasket	
3	01152815				3	ST		Cheese head screw	Cheese head screw	
4	01151504				1	ST		Cheese head screw	Cheese head screw	
6	12304125				1	ST		Breather pipe	Breather pipe	
9	01127051		20	20	2	ST		Hexagon bolt	Hexagon bolt	
10	01151184				5	ST		Plain washer	Plain washer	
12	01174426	Kit !			3	ST		Rubber sleeve	Rubber sleeve	
13	01173968	Kit !			6	ST		Hose clip	Hose clip	
14	12304132				1	ST		T-union	T-union	
15	12303678	Kit !			1	ST		Air filter	Air filter	
16	12304004				1	ST		Bracket	Bracket	
18	12304006	Kit !			1	ST		Gasket	Gasket	
19	01125608	Kit !			4	ST		Stud	Stud	
20	01136453	Kit !			4	ST		Hexagon nut	Hexagon nut	
21	01151000	Kit !			4	ST		Plain washer	Plain washer	
22	12304575	Kit !	90	90	1	ST		Tubing connection	Tubing connection	
23	12304576	Kit !	90	90	1	ST		Tubing connection	Tubing connection	
24	12304577	Kit !	90	90	1	ST		Tubing connection	Tubing connection	
25	12303073				1	ST		T-fitting	T-fitting	
26	01137412	Kit !			6	ST		Hose clip	Hose clip	
27	01128068				1	ST		Angle plate	Angle plate	
28	12277095				1	ST		Pressure regulator	Pressure regulator	

ETL no.: 0508 5357 Crankcase breather

Constr. Group: 01

Equipment: 00002201446  
 Output: 0002032,0 kW  
 ETL scope: EU197516

Engine type: TBD16 620V  
 Speed: 1800 1/min

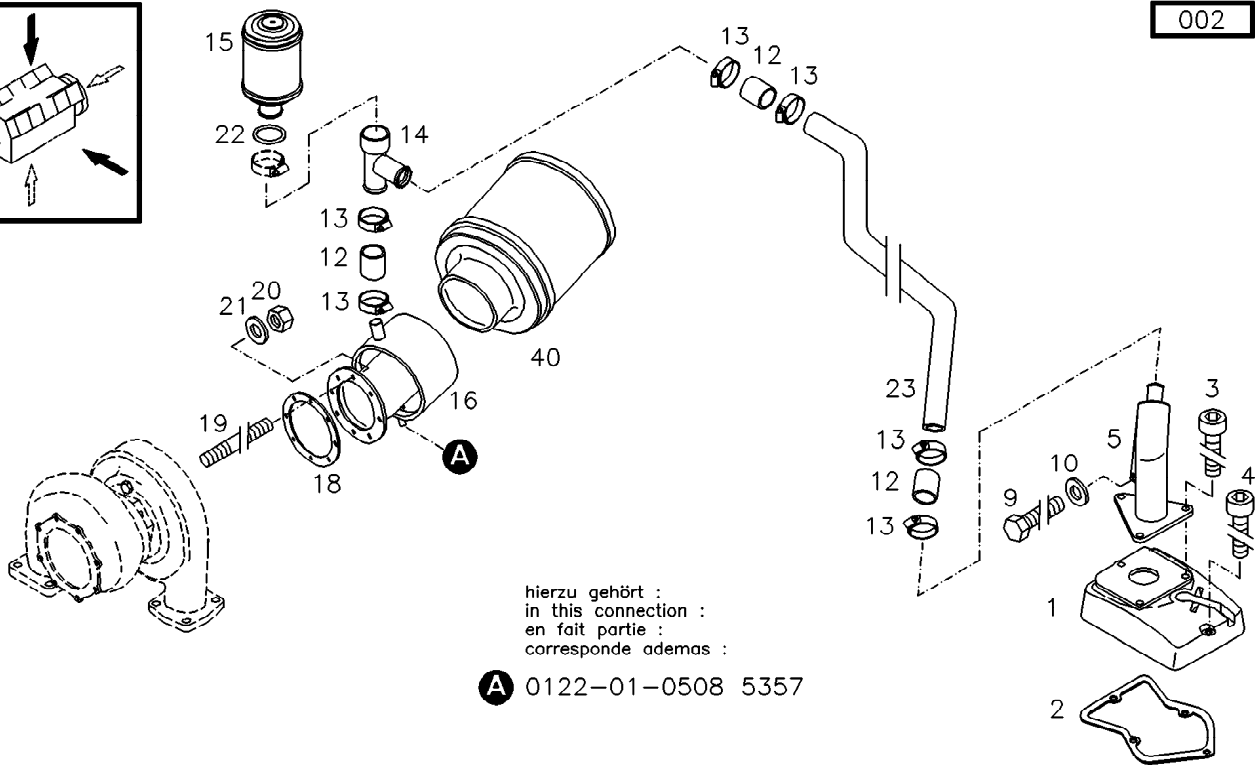
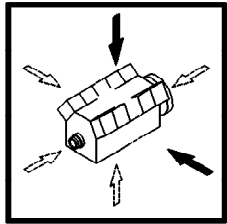
Item	Material	Kit	MS	VS	Quant	Unit	Ord	Designation (en)	Designation (en)	Remark
29	12302565				1	ST		Cover	Cover	
30	12302184	Kit !			1	ST		Gasket	Gasket	
31	01137083		20	20	12	ST		Hexagon bolt	Hexagon bolt	
32	12028056				3	ST		Spacer sleeve	Spacer sleeve	
34	04312744				5	ST		Pipe clamp	Pipe clamp	
35	01137083		20	20	2	ST		Hexagon bolt	Hexagon bolt	
36	12200374				2	ST		Angle plate	Angle plate	
37	01112829		20	20	2	ST		Hexagon nut	Hexagon nut	
38	01172126	Kit !			1	ST		O-seal	O-seal	
39	12304149				1	ST		Pipeline	Pipeline	
40	12303447	Kit !			1	ST		Air filter	Air filter	
42	01137744		20	20	1	ST		Hexagon bolt	Hexagon bolt	
43	01112331		20	20	3	ST		Hexagon bolt	Hexagon bolt	
44	01107101		20	20	7	ST		Plain washer	Plain washer	

ETL no.: 0508 5358 Crankcase breather

Constr. Group: 01

Equipment: 00002201446  
 Output: 0002032,0 kW  
 ETL scope: EU197516

Engine type: TBD16 620V  
 Speed: 1800 1/min



hierzu gehört :  
 in this connection :  
 en fait partie :  
 corresponde ademas :

**A** 0122-01-0508 5357

0508 5358

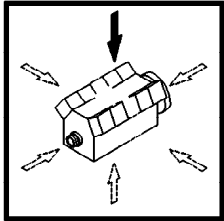
Item	Material	Kit	MS	VS	Quant	Unit	Ord	Designation (en)	Designation (en)	Remark
1	12304570			AW	1	ST		Valve mechan.cover	Valve mechan.cover	
2	12032892	Kit !			1	ST		Gasket	Gasket	
3	01152815				3	ST		Cheese head screw	Cheese head screw	
4	01151504				1	ST		Cheese head screw	Cheese head screw	
5	12304123				1	ST		Breather pipe	Breather pipe	
9	01127051		20	20	2	ST		Hexagon bolt	Hexagon bolt	
10	01151184				2	ST		Plain washer	Plain washer	
12	01174426	Kit !			3	ST		Rubber sleeve	Rubber sleeve	
13	01173968	Kit !			6	ST		Hose clip	Hose clip	
14	12304132				1	ST		T-union	T-union	
15	12303678	Kit !			1	ST		Air filter	Air filter	
16	12304004				1	ST		Bracket	Bracket	
18	12304006	Kit !			1	ST		Gasket	Gasket	
19	01125608	Kit !			4	ST		Stud	Stud	
20	01136453	Kit !			4	ST		Hexagon nut	Hexagon nut	
21	01151000	Kit !			4	ST		Plain washer	Plain washer	
22	01172126	Kit !			1	ST		O-seal	O-seal	
23	12304148				1	ST		Pipeline	Pipeline	
40	12303447	Kit !			1	ST		Air filter	Air filter	

ETL no.: 0508 5416 Service gauge

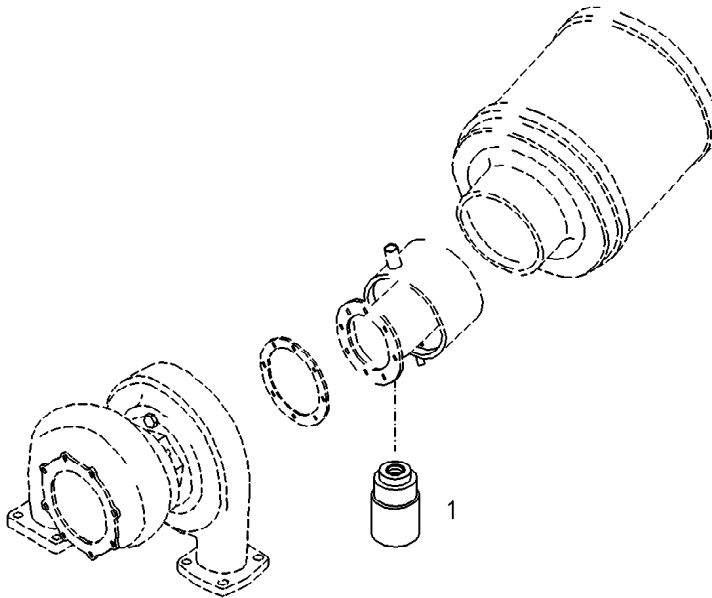
Constr. Group: 01

Equipment: 00002201446  
 Output: 0002032,0 kW  
 ETL scope: EU197516

Engine type: TBD16 620V  
 Speed: 1800 1/min



000



0508 5416

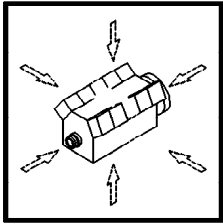
Item	Material	Kit	MS VS	Quant	Unit	Ord	Designation (en)	Designation (en)	Remark
1	12304539			1	ST		Service gauge	Service gauge	

ETL no.: 0508 5813 Coke scraper ring

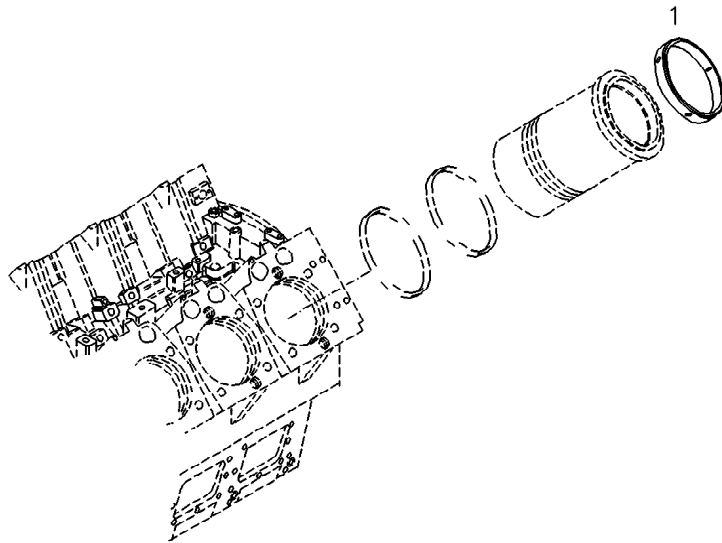
Constr. Group: 01

Equipment: 00002201446  
 Output: 0002032,0 kW  
 ETL scope: EU197516

Engine type: TBD16 620V  
 Speed: 1800 1/min



000 ©



0508 5813

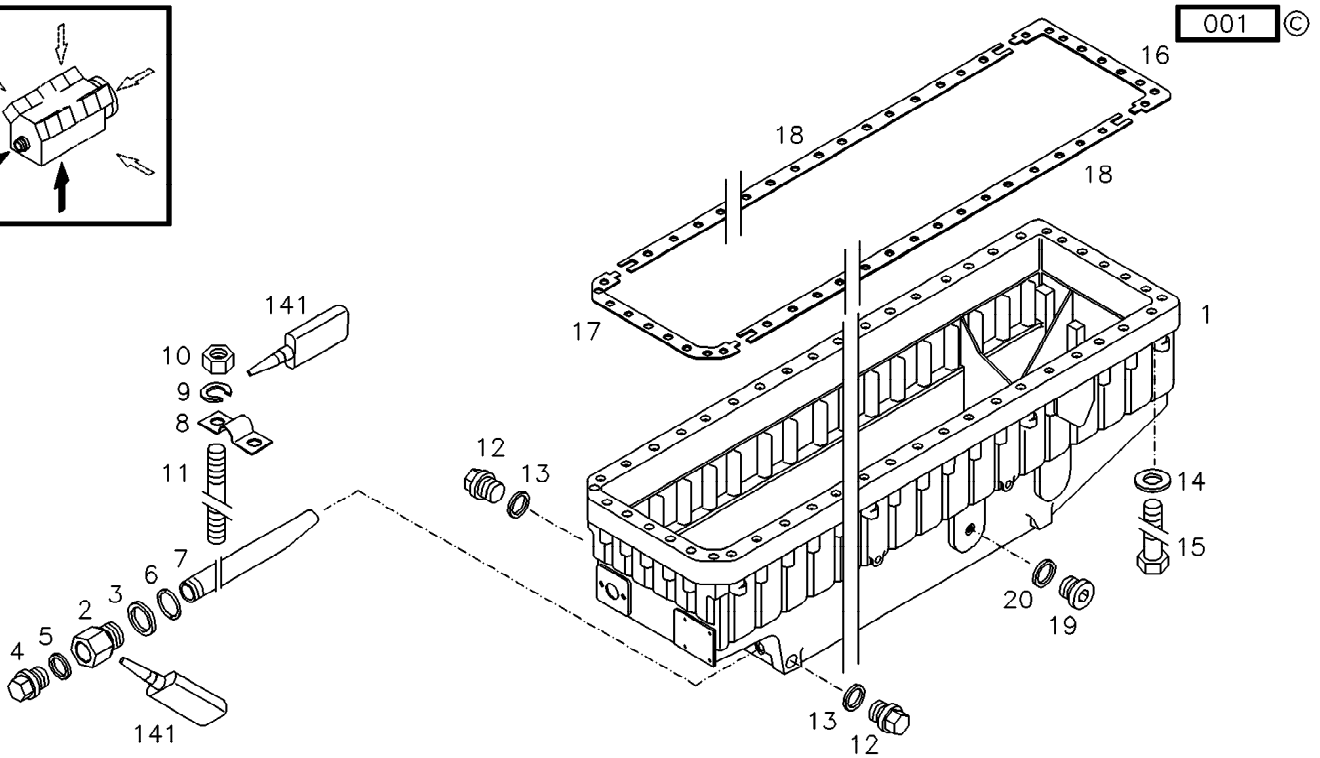
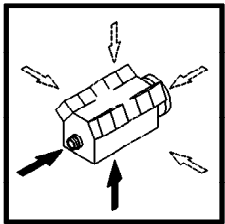
Item	Material	Kit	MS VS	Quant	Unit	Ord	Designation (en)	Designation (en)	Remark
1	12305865			1	ST		Coke scraper ring	Coke scraper ring	

ETL no.: 0508 5329 Oil pan

Constr. Group: 02

Equipment: 00002201446  
 Output: 0002032,0 kW  
 ETL scope: EU197516

Engine type: TBD16 620V  
 Speed: 1800 1/min



0508 5329

Item	Material	Kit	MS	VS	Quant	Unit	Ord	Designation (en)	Designation (en)	Remark
1	12303086				1	ST		Oil pan	Oil pan	
2	12303334				1	ST		Reducer	Reducer	
3	01118836				1	ST		Sealing ring	Sealing ring	
4	01110464				1	ST		Screw plug	Screw plug	
5	01222800	Kit !			1	ST		Sealing ring	Sealing ring	
6	01173375				1	ST		O-seal	O-seal	
7	12303352				1	ST		Suction pipe	Suction pipe	
8	12303342				3	ST		Pipe clamp	Pipe clamp	
9	01177981				6	ST		Spring lock washer	Spring lock washer	
10	01112824				6	ST		Hexagon nut	Hexagon nut	
11	01113386				6	ST		Stud	Stud	
12	01110442				3	ST		Screw plug	Screw plug	
13	01118760	Kit !			3	ST		Sealing ring	Sealing ring	
14	01148124				57	ST		Plain washer	Plain washer	
15	01151538				57	ST		Hexagon bolt	Hexagon bolt	
16	12028088	Kit !			1	ST		Gasket	Gasket	
17	12028087	Kit !			1	ST		Gasket	Gasket	
18	12028089	Kit !			2	ST		Gasket	Gasket	
19	01137308				1	ST		Screw plug	Screw plug	
20	01118718				1	ST		Sealing ring	Sealing ring	
141	01001254				1	ST		Safety/lock.agent	Safety/lock.agent	

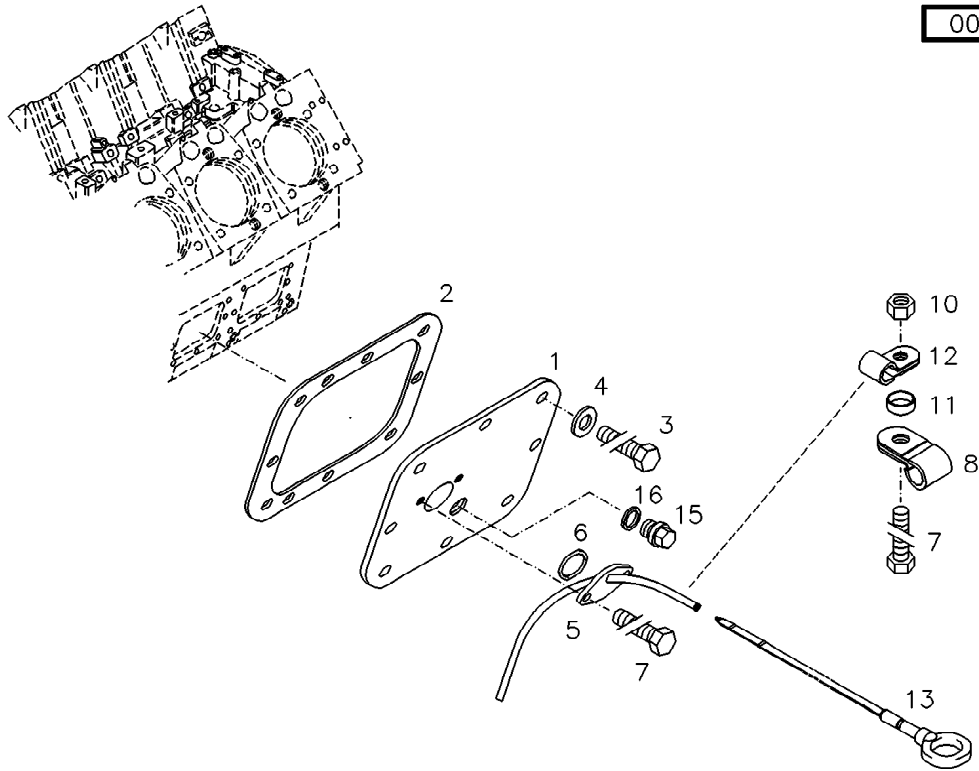
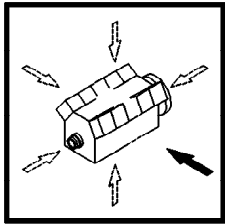


ETL no.: 0508 5344 Dipstick

Constr. Group: 02

Equipment: 00002201446  
 Output: 0002032,0 kW  
 ETL scope: EU197516

Engine type: TBD16 620V  
 Speed: 1800 1/min



0508 5344

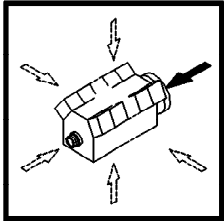
Item	Material	Kit	MS	VS	Quant	Unit	Ord	Designation (en)	Designation (en)	Remark
1	12303653				1	ST		Cover	Cover	
2	12302184	Kit !			1	ST		Gasket	Gasket	
3	01137083		20	20	8	ST		Hexagon bolt	Hexagon bolt	
4	01151019		90	90	8	ST		Plain washer	Plain washer	
5	12303651				1	ST		Flange	Flange	
6	01153829				1	ST		O-seal	O-seal	
7	01112339		20	20	3	ST		Hexagon bolt	Hexagon bolt	
8	12213248				1	ST		Pipe clamp	Pipe clamp	
10	01122477		20	20	1	ST		Hexagon nut	Hexagon nut	
11	12161039				1	ST		Bush	Bush	
12	01220008				1	ST		Pipe clamp	Pipe clamp	
13	12303387				1	ST		Dipstick	Dipstick	
15	01123690		20	20	1	ST		Screw plug	Screw plug	
16	01118718				1	ST		Sealing ring	Sealing ring	

ETL no.: 0508 0852 Starter ring gear

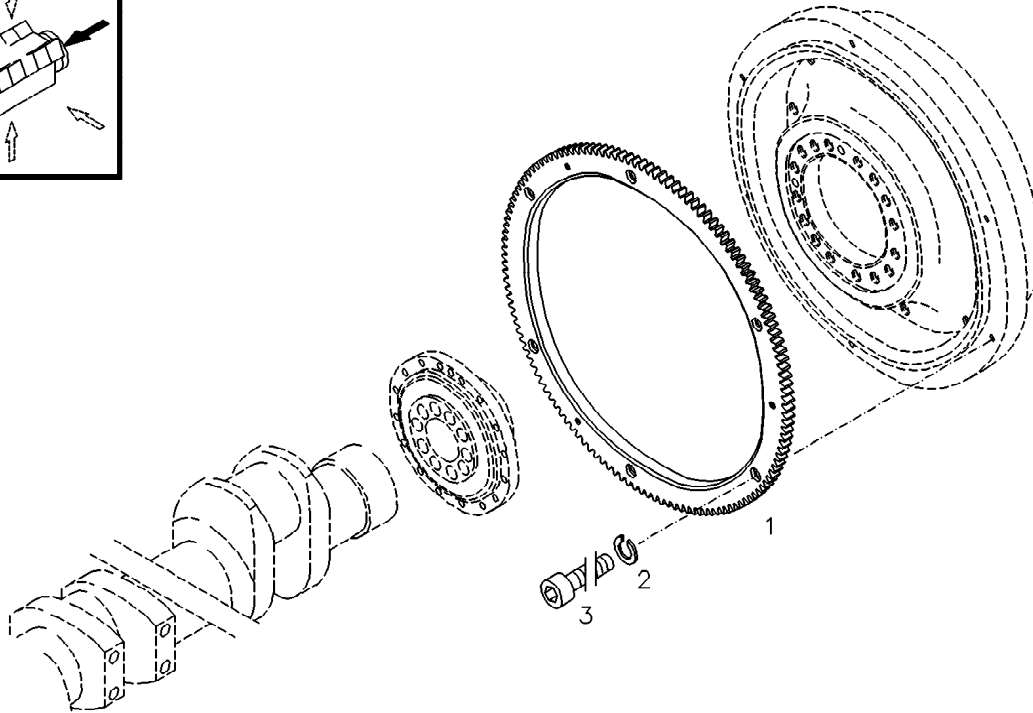
Constr. Group: 05

Equipment: 00002201446  
 Output: 0002032,0 kW  
 ETL scope: EU197516

Engine type: TBD16 620V  
 Speed: 1800 1/min



001 ©



0508 0852

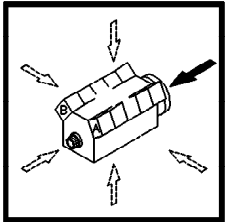
Item	Material	Kit	MS	VS	Quant	Unit	Ord	Designation (en)	Designation (en)	Remark
1	12028066				1	ST		Gear rim	Gear rim	
2	01102800				6	ST		Lock washer	Lock washer	
3	01110652	20	20		6	ST		Cheese head screw	Cheese head screw	

ETL no.: 0508 4062 Accessories

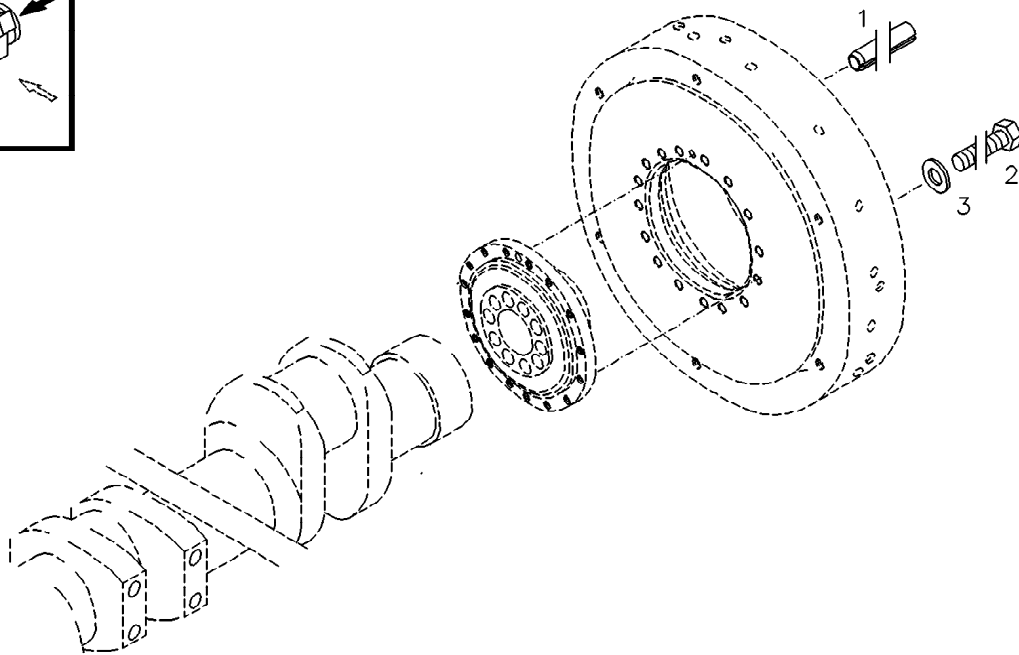
Constr. Group: 05

Equipment: 00002201446  
 Output: 0002032,0 kW  
 ETL scope: EU197516

Engine type: TBD16 620V  
 Speed: 1800 1/min



001



0508 4062

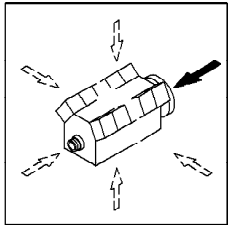
Item	Material	Kit	MS	VS	Quant	Unit	Ord	Designation (en)	Designation (en)	Remark
1	01151309				1	ST		Straight pin	Straight pin	
2	01143074	20	20	16	ST			Hexagon bolt	Hexagon bolt	
3	01154442			16	ST			Plain washer	Plain washer	

ETL no.: 0508 5000 Flywheel flange

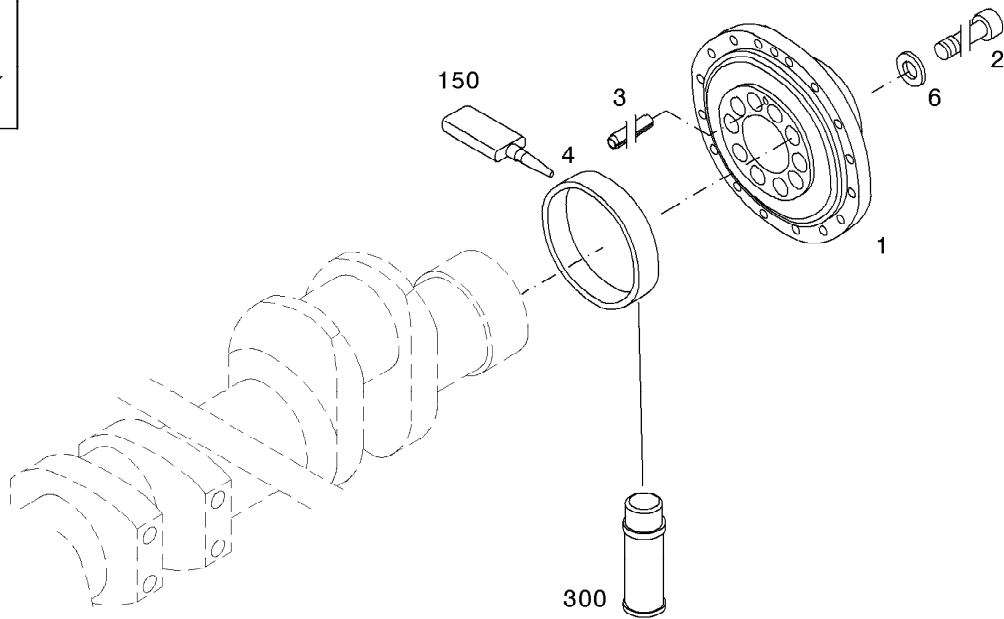
Constr. Group: 05

Equipment: 00002201446  
 Output: 0002032,0 kW  
 ETL scope: EU197516

Engine type: TBD16 620V  
 Speed: 1800 1/min



003 ©



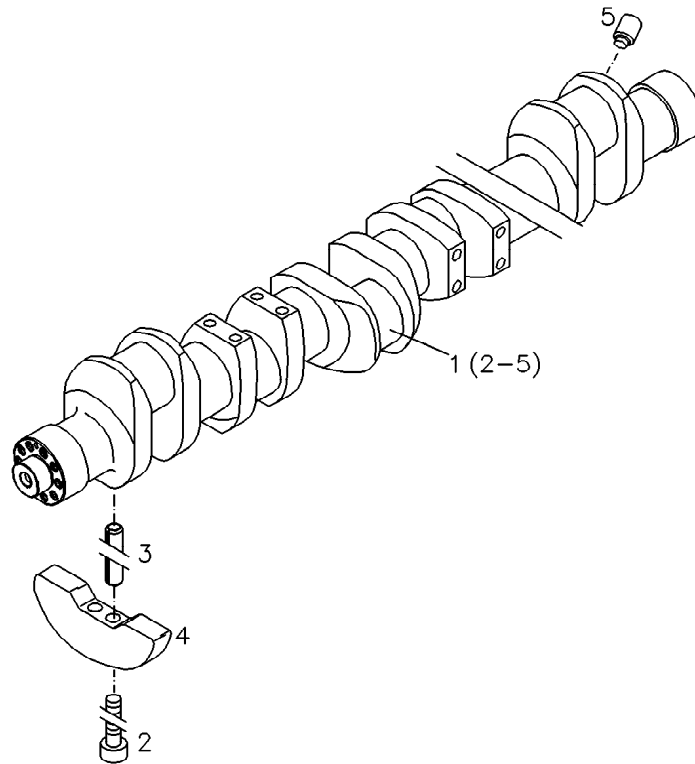
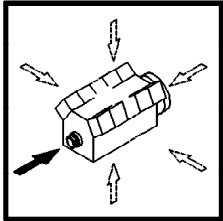
Item	Material	Kit	MS	VS	Quant	Unit	Ord	Designation (en)	Designation (en)	Remark
1	12307616	10	10	1	1	ST		Flywheel flange	Flywheel flange	
2	01180163				10	ST		Cheese head screw	Cheese head screw	
3	01151308				1	ST		Straight pin	Straight pin	
4	12137125				1	ST		Slipring	Slipring	
6	12302158				10	ST		Plain washer	Plain washer	
150	01007689	20	20	1	1	ST		Safety/lock.agent	Safety/lock.agent	
300	01016450	20	20	1	1	L		Cleaning agent	Cleaning agent	

ETL no.: 0508 5003 Crankshaft

Constr. Group: 05

Equipment: 00002201446  
 Output: 0002032,0 kW  
 ETL scope: EU197516

Engine type: TBD16 620V  
 Speed: 1800 1/min



005 ©

0508 5003

Item	Material	Kit	MS	VS	Quant	Unit	Ord	Designation (en)	Designation (en)	Remark
1	12302056		90	90	1	ST		Crankshaft	Crankshaft	WITH ITEM.... (2-5)
2	01151477				8	ST		Cheese head screw	Cheese head screw	
3	01176665				8	ST		Straight pin	Straight pin	
4	12302070				4	ST		Balance weight	Balance weight	
5	01148531		20	20	8	ST		Plug	Plug	