



# Spare Parts Catalog

Engine type: BF 6M 1013EC  
Serial number: 10153025  
Output: 163,0 kW  
Speed: 2000 1/min

<http://engine.od.ua>

*Use Bookmarks for navigation inside of the Parts Catalogue*

**Equipment information**

<b>Equipment:</b>	00010153025
<b>Type:</b>	BF 6M1013EC
<b>Output:</b>	0000163,0 kW
<b>Speed:</b>	2000 1/min
<b>Build date:</b>	18.04.2006
<b>KLU-Number:</b>	
<b>ETL scope:</b>	EU352818
<b>MVS:</b>	222
<b>VKU date:</b>	25.04.2006
<b>VKU' date:</b>	
<b>Commissioning date:</b>	
<b>Begin of guarantee period:</b>	
<b>Man. begin of guar. period:</b>	no
<b>End of guarantee period:</b>	
<b>ID maintenance contract:</b>	
<b>ID insurance contract:</b>	
<b>Guarantee package:</b>	1

## Assembly group directory

<b>Equipment:</b>	00010153025	<b>Engine type:</b>	BF 6M1013EC
<b>Output:</b>	0000163,0 kW	<b>Speed:</b>	2000 1/min
<b>ETL scope:</b>	EU352818		

<b>CG</b>	<b>ETL-No.</b>	<b>Designation (en)</b>	<b>Designation (en)</b>
<b>1</b>		<b>Crankcase</b>	
1	0507 0165	Oil filler neck	Oil filler neck
1	0507 0361	Fastenings	Fastenings
1	0507 0470	Piston cool.nozzle	Piston cool.nozzle
1	0507 0637	Bleeding tube	Bleeding tube
1	0507 0645	Guide tube	Guide tube
1	0507 0804	Dipstick	Dipstick
1	0507 1054	Pressurestat	Pressurestat
1	0507 1275	Crankcase breather	Crankcase breather
1	0507 8215	Crankcase	Crankcase
1	0511 1146	Front cover	Front cover
<b>2</b>		<b>Oil pan</b>	
2	0507 1856	Oil pan	Oil pan
<b>5</b>		<b>Crankshaft</b>	
5	0507 0580	Fastenings	Fastenings
5	0507 0660	Flywheel	Flywheel
5	0507 0661	Accessories	Accessories
5	0507 2177	V-belt pulley assy	V-belt pulley assy
5	0507 2268	Flange	Flange
5	0507 4458	Vibration damper	Vibration damper
5	0507 8354	Crankshaft	Crankshaft
<b>6</b>		<b>Connecting rod</b>	
6	0507 0354	Connecting rod	Connecting rod
<b>7</b>		<b>Piston</b>	
7	0511 1140	Piston	Piston
<b>8</b>		<b>Cylinder head</b>	
8	0507 0164	Engine mounting	Engine mounting
8	0507 0356	Fastenings	Fastenings
8	0507 1271	Valve mechan.cover	Valve mechan.cover
8	0507 6245	Engine mounting	Engine mounting
8	0507 7031	Cylinder head	Cylinder head
<b>9</b>		<b>Timing chest</b>	
9	0511 3110	Gearcase	Gearcase
<b>10</b>		<b>Camshaft</b>	
10	0507 7238	Camshaft	Camshaft
<b>11</b>		<b>Timing gears</b>	
11	0507 2233	Rocker arm bracket	Rocker arm bracket
11	0507 2234	Rocker arm bracket	Rocker arm bracket
11	0507 2235	Rocker arm bracket	Rocker arm bracket
11	0507 2435	Fastenings	Fastenings
11	0507 2977	Valve drive	Valve drive
<b>15</b>		<b>Lube oil/-cooler</b>	
15	0507 0072	Blanking parts	Blanking parts
15	0507 2108	Fastenings	Fastenings
15	0507 4574	Blanking parts	Blanking parts
15	0511 1122	Spin-on filter	Spin-on filter
15	0511 1163	Oil cooler box	Oil cooler box
<b>16</b>		<b>Oil pipes</b>	
16	0511 1008	Oil suction pipe	Oil suction pipe

<b>Equipment:</b>	00010153025	<b>Engine type:</b>	BF 6M1013EC
<b>Output:</b>	0000163,0 kW	<b>Speed:</b>	2000 1/min
<b>ETL scope:</b>	EU352818		

<b>CG</b>	<b>ETL-No.</b>	<b>Designation (en)</b>	<b>Designation (en)</b>
<b>17</b>		<b>Injection pump</b>	
17	0507 8106	Roller tappet	Roller tappet
17	0507 8107	Fuel inject. pump	Fuel inject. pump
17	0507 8695	Fastenings	Fastenings
<b>19</b>		<b>Injector</b>	
19	0507 0352	Fastenings	Fastenings
19	0507 7217	Fuel injector	Fuel injector
<b>20</b>		<b>Fuel filter</b>	
20	0507 1031	Fastenings	Fastenings
20	0507 1050	Mating part	Mating part
20	0507 1161	Fuel pump	Fuel pump
20	0507 8200	Fuel prefilter	Fuel prefilter
20	0511 1121	Fuel filter	Fuel filter
<b>21</b>		<b>Fuel pipes/fuel tank</b>	
21	0507 1170	Fuel line	Fuel line
21	0507 2637	High pressure pipe	High pressure pipe
21	0507 6312	Back leak.connect.	Back leak.connect.
21	0507 7029	Back leak.connect.	Back leak.connect.
<b>22</b>		<b>Suction pipe/air cleaner</b>	
22	0507 0495	Cover	Cover
22	0507 0699	Manifold	Manifold
22	0507 0700	Rubber sleeve	Rubber sleeve
22	0507 1004	Fastenings	Fastenings
22	0507 8445	Charge air pipe	Charge air pipe
22	0507 8446	Charge air pipe	Charge air pipe
<b>27</b>		<b>Speed control</b>	
27	0507 1941	Blanking parts	Blanking parts
27	0507 2393	Blanking parts	Blanking parts
27	0507 2397	Fastenings	Fastenings
27	0507 2401	Control rod	Control rod
27	0507 7122	Actuator	Actuator
27	0507 8635	Control unit	Control unit
<b>37</b>		<b>Cooling water pump</b>	
37	0507 1771	Narrow v-belt	Narrow v-belt
37	0507 2133	Narrow v-belt	Narrow v-belt
37	0507 2137	Driving parts	Driving parts
<b>38</b>		<b>Water pipes</b>	
38	0507 0285	Accessories	Accessories
38	0507 1073	Connection	Connection
38	0507 1252	Breather line	Breather line
38	0507 2239	Water thermostat	Water thermostat
38	0507 2240	Fastenings	Fastenings
<b>39</b>		<b>Cooling air blower</b>	
39	0507 1722	Fastenings	Fastenings
39	0507 1755	Fastenings	Fastenings
39	0507 1793	Narrow v-belt	Narrow v-belt
39	0507 2080	Fastenings	Fastenings
39	0507 2134	Tensioning pulley	Tensioning pulley
39	0507 2135	Fastenings	Fastenings
39	0507 4463	V-grooved pulley	V-grooved pulley
39	0507 7284	Fan support	Fan support

<b>Equipment:</b>	00010153025	<b>Engine type:</b>	BF 6M1013EC
<b>Output:</b>	0000163,0 kW	<b>Speed:</b>	2000 1/min
<b>ETL scope:</b>	EU352818		

<b>CG</b>	<b>ETL-No.</b>	<b>Designation (en)</b>	<b>Designation (en)</b>
39	0507 7768	Fan bracket	Fan bracket
<b>41</b>		<b>Exhaust manifold</b>	
41	0507 0507	Companion flange	Companion flange
41	0507 8012	Exhaust pipe	Exhaust pipe
41	0507 8238	Gasket	Gasket
<b>43</b>		<b>Turbocharger</b>	
43	0507 0056	Blanking parts	Blanking parts
43	0507 1593	Return line	Return line
43	0507 4940	Blanking parts	Blanking parts
43	0507 7115	Turbocharger	Turbocharger
43	0507 7116	Lubricat. oil line	Lubricat. oil line
<b>44</b>		<b>Alternator/starter motor</b>	
44	0507 0157	Fastenings	Fastenings
44	0507 2725	Starter	Starter
44	0507 8506	Accessories	Accessories
44	0507 9558	V-grooved pulley	V-grooved pulley
44	0507 9608	Generator	Generator
<b>46</b>		<b>Engine mounting, rigid</b>	
46	0507 1239	Accessories	Accessories
46	0507 1240	Accessories	Accessories
46	0507 2424	Fastenings	Fastenings
46	0507 2994	Mounting foot	Mounting foot
<b>48</b>		<b>Electrical accessories</b>	
48	0507 0295	Pressure sensor	Pressure sensor
48	0507 1706	Interconnect.cable	Interconnect.cable
48	0507 2493	Plug-in connector	Plug-in connector
48	0507 2513	Plug-in connector	Plug-in connector
48	0507 6023	Accessories	Accessories
48	0507 6062	Impulsetransmitter	Impulsetransmitter
48	0507 8367	Fastenings	Fastenings
48	0507 8406	Interconnect.cable	Interconnect.cable
48	0507 8902	Plug-in connector	Plug-in connector
48	0511 0673	Fastenings	Fastenings
48	0511 1076	Cable harness	Cable harness
48	0511 3759	Temper.transmitter	Temper.transmitter
<b>51</b>		<b>Measuring instruments</b>	
51	0507 8183	Temper.transmitter	Temper.transmitter
<b>52</b>		<b>Clutch</b>	
52	0507 0659	Fastenings	Fastenings
52	0507 8272	Bush	Bush
52	0507 8481	Connection housing	Connection housing
<b>56</b>		<b>Engine shutdown</b>	
56	0511 1133	Blanking parts	Blanking parts
<b>63</b>		<b>Starting aid</b>	
63	0507 0159	Blanking parts	Blanking parts
63	0507 7234	Plug-in connector	Plug-in connector
63	0507 8387	Relay	Relay
63	0511 1068	Fastenings	Fastenings
63	0511 1071	Heating flange	Heating flange
<b>75</b>		<b>Heating system</b>	

**Equipment:** 00010153025  
**Output:** 0000163,0 kW  
**ETL scope:** EU352818

**Engine type:** BF 6M1013EC  
**Speed:** 2000 1/min

<b>CG</b>	<b>ETL-No.</b>	<b>Designation (en)</b>	<b>Designation (en)</b>
75	0507 1162	Blanking parts	Blanking parts
<b>83</b>		<b>Hydraulic pump</b>	
83	0507 0067	Blanking parts	Blanking parts
83	0507 6097	Blanking parts	Blanking parts
83	0507 8117	Blanking parts	Blanking parts
<b>90</b>		<b>Set of parts</b>	
90	0507 0283	Cool.syst.protect.	Cool.syst.protect.
90	0507 0907	Gasket set	Gasket set
<b>98</b>		<b>Optional extras</b>	
98	0211 2554	Fastenings	Fastenings
98	0211 3198	Blanking parts	Blanking parts
98	0420 1448	Main bearing liner	Main bearing liner
98	0420 8849	Fastenings	Fastenings
98	0428 4825	Blanking parts	Blanking parts

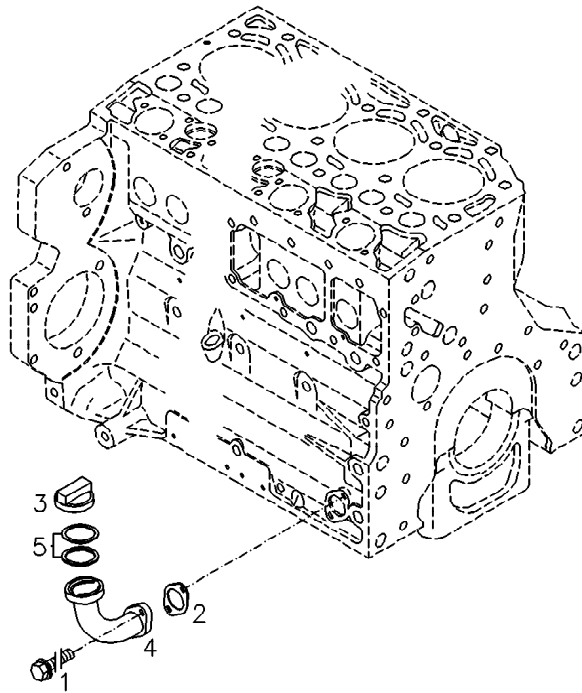
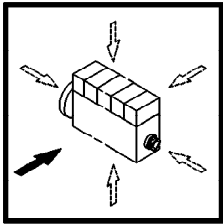
ETL no.: 0507 0165 Oil filler neck

Constr. Group: 01

Equipment: 00010153025  
 Output: 0000163,0 kW  
 ETL scope: EU352818

Engine type: BF 6M1013EC  
 Speed: 2000 1/min

002



0507 0165

Item	Material	Kit	MS	VS	Quant	Unit	Ord	Designation (en)	Designation (en)	Remark
1	01181433				2	ST		Hexagon bolt	Hexagon bolt	
2	01178421				1	ST		Gasket	Gasket	
3	01181084	Kit !			1	ST		Filler cap	Filler cap	
4	04197913		90	90	1	ST		Oil filler neck	Oil filler neck	
5	02931042				1	ST		Repair kit	Repair kit	

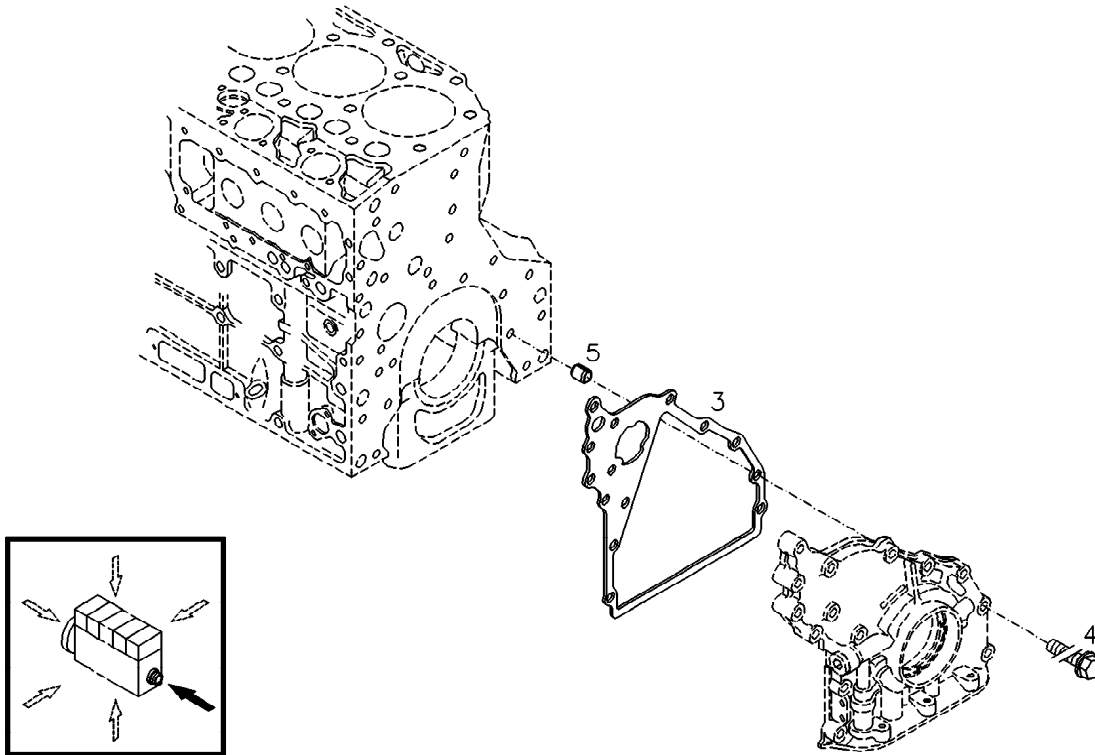
ETL no.: 0507 0361 Fastenings

Constr. Group: 01

Equipment: 00010153025  
 Output: 0000163,0 kW  
 ETL scope: EU352818

Engine type: BF 6M1013EC  
 Speed: 2000 1/min

001



0507 0361

Item	Material	Kit	MS	VS	Quant	Unit	Ord	Designation (en)	Designation (en)	Remark
3	04204450		10	10	1	ST		Gasket	Gasket	
4	01143362				14	ST		Hexagon bolt	Hexagon bolt	
5	01181406				1	ST		Clamping bush	Clamping bush	

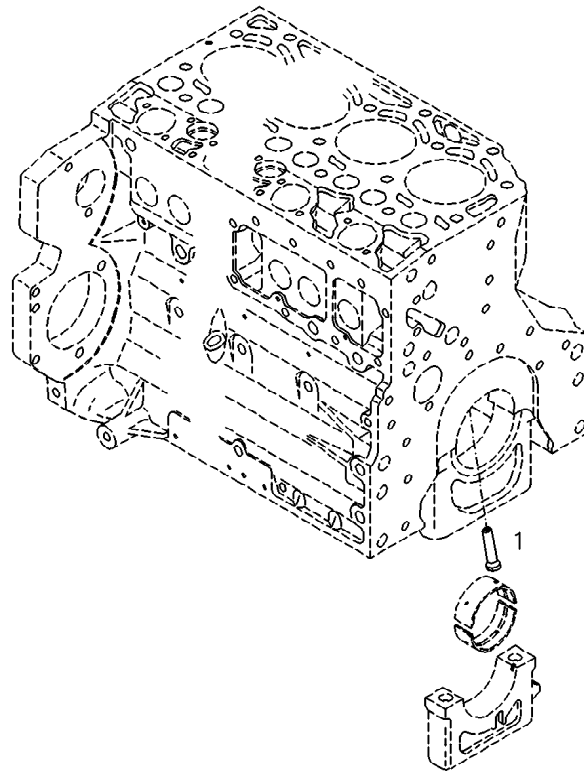
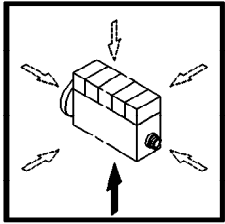


ETL no.: 0507 0470 Piston cool.nozzle

Constr. Group: 01

Equipment: 00010153025  
 Output: 0000163,0 kW  
 ETL scope: EU352818

Engine type: BF 6M1013EC  
 Speed: 2000 1/min



001 ©

0507 0470

Item	Material	Kit	MS	VS	Quant	Unit	Ord	Designation (en)	Designation (en)	Remark
1	04203930	Kit	!	90	90	6	ST	Piston cool.nozzle	Piston cool.nozzle	

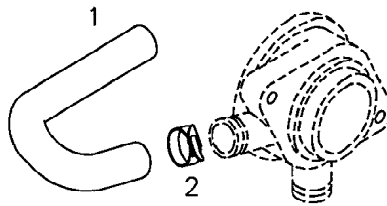
ETL no.: 0507 0637 Bleeding tube

Constr. Group: 01

Equipment: 00010153025  
 Output: 0000163,0 kW  
 ETL scope: EU352818

Engine type: BF 6M1013EC  
 Speed: 2000 1/min

000



0507 0637

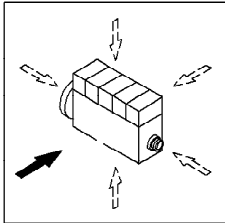
Item	Material	Kit	MS VS	Quant	Unit	Ord	Designation (en)	Designation (en)	Remark
1	04198572	Kit !		1	ST		Bleeding tube	Bleeding tube	
2	01178750	Kit !		1	ST		Spring band clamp	Spring band clamp	

ETL no.: 0507 0645 Guide tube

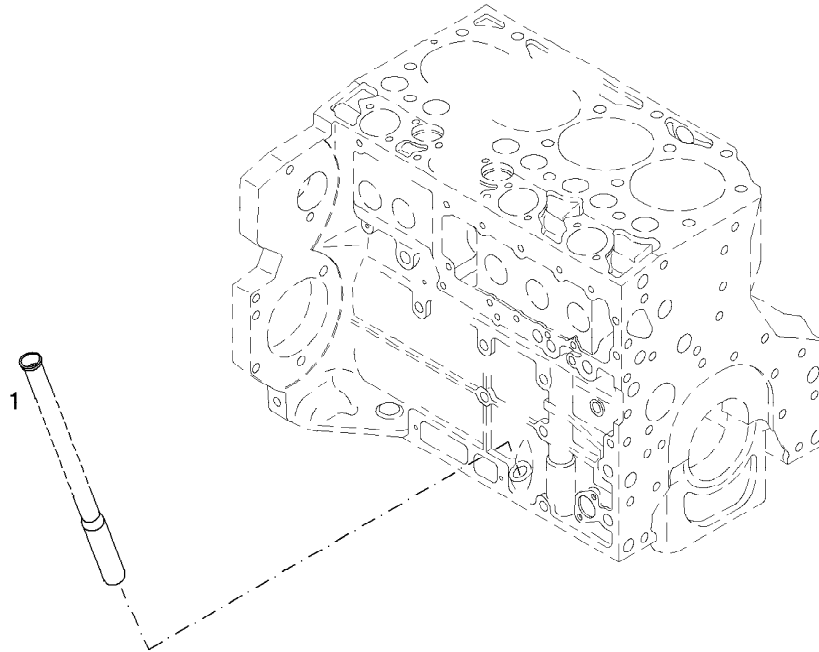
Constr. Group: 01

Equipment: 00010153025  
 Output: 0000163,0 kW  
 ETL scope: EU352818

Engine type: BF 6M1013EC  
 Speed: 2000 1/min



001 ©



Item	Material	Kit	MS	VS	Quant	Unit	Ord	Designation (en)	Designation (en)	Remark
1	04204590	90	90	1	ST			Guide tube	Guide tube	

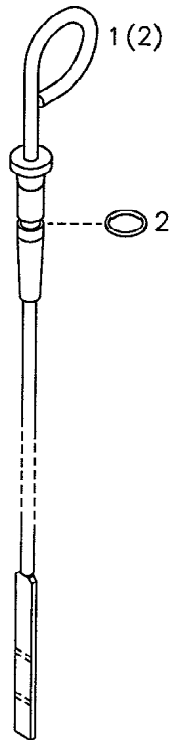
ETL no.: 0507 0804 Dipstick

Constr. Group: 01

Equipment: 00010153025  
 Output: 0000163,0 kW  
 ETL scope: EU352818

Engine type: BF 6M1013EC  
 Speed: 2000 1/min

000



0507 0804

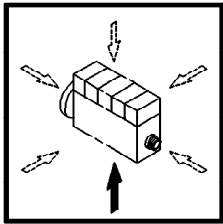
Item	Material	Kit	MS VS	Quant	Unit	Ord	Designation (en)	Designation (en)	Remark
1	01180008	Kit !		1	ST		Dipstick	Dipstick	WITH ITEM.... (2)
2	01174311	Kit !		1	ST		O-seal	O-seal	

ETL no.: 0507 1054 Pressurestat

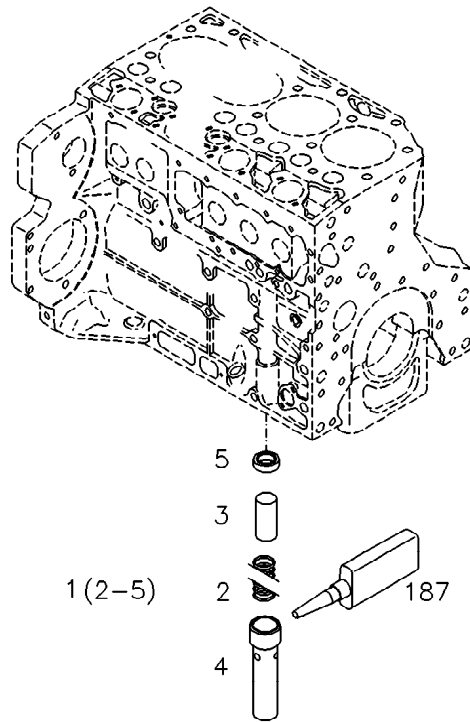
Constr. Group: 01

Equipment: 00010153025  
 Output: 0000163,0 kW  
 ETL scope: EU352818

Engine type: BF 6M1013EC  
 Speed: 2000 1/min



002 ©



0507 1054

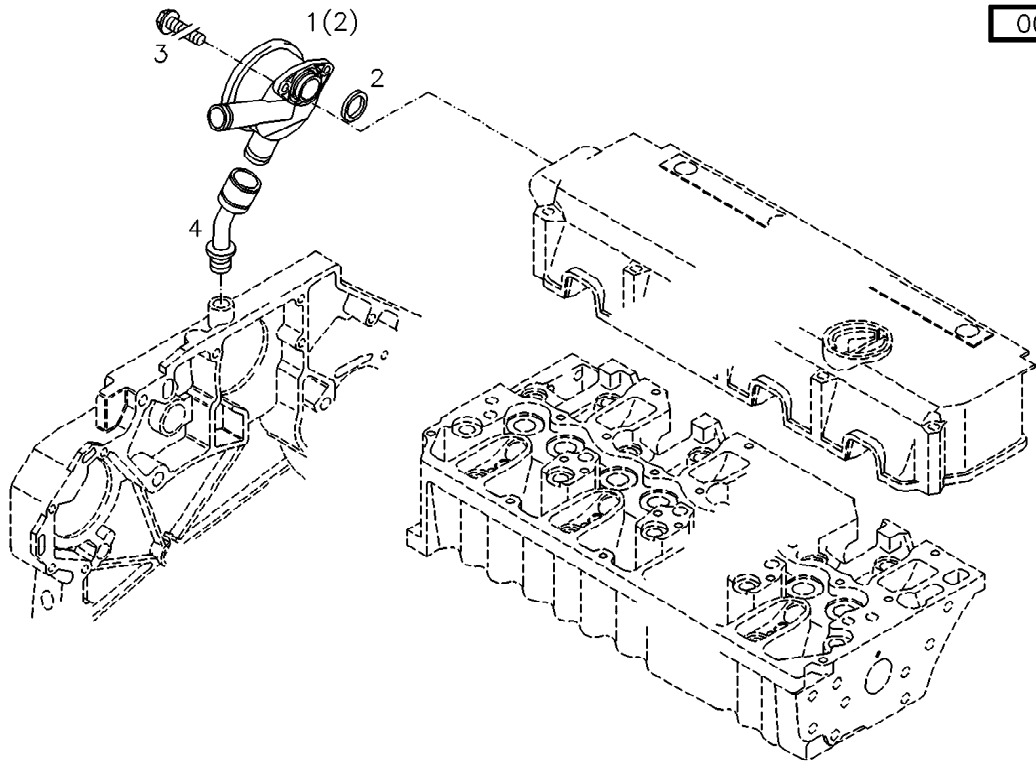
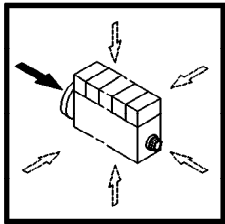
Item	Material	Kit	MS	VS	Quant	Unit	Ord	Designation (en)	Designation (en)	Remark
1	04207119				1	ST		Pressurestat	Pressurestat	WITH ITEM.... (2-5)
2	04200782				1	ST		Compression spring	Compression spring	
3	04207120				1	ST		Valve plunger	Valve plunger	
4	04207121				1	ST		Sleeve	Sleeve	
5	04201794				1	ST		Ring	Ring	
187	01016123	20	20		1	KG		Safety/lock.agent	Safety/lock.agent	

ETL no.: 0507 1275 Crankcase breather

Constr. Group: 01

Equipment: 00010153025  
 Output: 0000163,0 kW  
 ETL scope: EU352818

Engine type: BF 6M1013EC  
 Speed: 2000 1/min



001

0507 1275

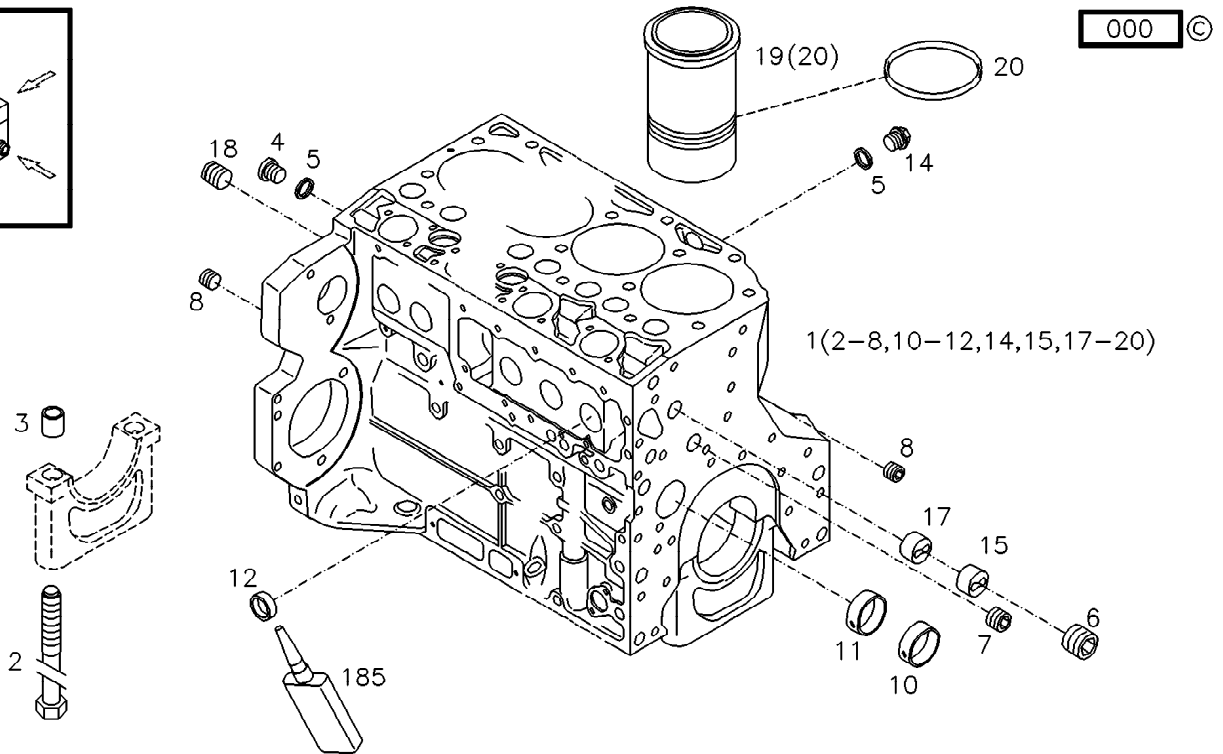
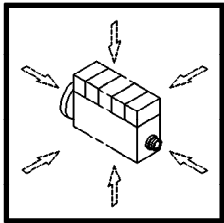
Item	Material	Kit	MS	VS	Quant	Unit	Ord	Designation (en)	Designation (en)	Remark
1	04207651	Kit !	90	90	1	ST		Pressure regulator	Pressure regulator	WITH ITEM.... (2)
2	04207649	Kit !			1	ST		Gasket	Gasket	
3	01180218		20	20	2	ST		Hexagon bolt	Hexagon bolt	
4	04207290				1	ST		Rubber sleeve	Rubber sleeve	

ETL no.: 0507 8215 Crankcase

Constr. Group: 01

Equipment: 00010153025  
 Output: 0000163,0 kW  
 ETL scope: EU352818

Engine type: BF 6M1013EC  
 Speed: 2000 1/min



0507 8215

Item	Material	Kit	MS	VS	Quant	Unit	Ord	Designation (en)	Designation (en)	Remark
1	04282827				1	ST		Crankcase	Crankcase	WITH ITEM.... (2-8,10-12,14,15,17-20)
2	04251254	Kit !			14	ST		Hexagon bolt	Hexagon bolt	
3	04200078				14	ST		Bush	Bush	
4	01110423				2	ST		Screw plug	Screw plug	
5	01118693	Kit !			4	ST		Sealing ring	Sealing ring	
6	01182033		90	90	1	ST		Screw plug	Screw plug	
7	01182032		90	90	1	ST		Screw plug	Screw plug	
8	01182031				2	ST		Screw plug	Screw plug	
10	04200021	Kit !			6	ST		Bearing bush	Bearing bush	
11	04200022	Kit !			1	ST		Bearing bush	Bearing bush	
12	01179635		20	20	10	ST		Core hole plug	Core hole plug	
14	01100940				2	ST		Screw plug	Screw plug	
15	04202518				1	ST		Guide sleeve	Guide sleeve	
17	04202517				1	ST		Guide sleeve	Guide sleeve	
18	01181155				1	ST		Screw plug	Screw plug	
19	04282014	Kit !			6	ST		Cylinder liner	Cylinder liner	WITH ITEM.... (20) 032 (021-025,031,141)
20	01181178	Kit !			12	ST		O-seal	O-seal	
185	01016127		20	20	1	KG		Safety/lock.agent	Safety/lock.agent	