



FOP VIKTOR KNYAZYEV

Ap.62, Ak. Glushka 6, Odessa. 65113 Ukraine.

Registration no. 2 556 000 0000 139668 / Tax. no. 1869801971

Spare parts: <http://brovertek.com> | Tech Library: <http://engine.od.ua> | Mariners support: <http://MarEngine.com>

English for children: <http://babyenglish.club> | <http://babyenglish.tv> | <http://babyenglish.best> | <http://babyenglish.gift>

E-mail: broverter@gmail.com / babyenglish.best@gmail.com / Phone: 38 0674831710

INVOICE-OFFER No 71

Date:

To: Company name

Address (optional)

Country

line	Description	Amount
1	SET # 71 Parts Catalogs DEUTZ 816 according to the folder	
	<i>Parts Catalogs q-ty pcs:</i>	27
	<i>Standard price per book USD:</i>	\$58
	<i>Standard price total USD:</i>	\$1 566
	<i>Bulk order discount 85 %:</i>	\$1 331
	Bulk Price Total USD:	\$235
	Delivery (download):	0
	Total Amount for payment USD:	\$235
	<i>Price per catalog:</i>	\$8,70

Terms of payment: Prepayment with company order

All bank charges should be on remitter account (you have to point OUR in bank order).

Important remark: To avoid any delay with acceptance your payment please point in your bank instruction

1) Invoice number, 2) Date of Invoice 3) Technical Manuals.

Sample: Inv# 30, 01-Jun-2022, Tech manual.

Account for USD

Beneficiary: FOP Viktor Knyazyev

Name of the bank: PJSC CB "PRIVATBANK",

Bank Address: 1D HRUSHEVSKOHO STR., KYIV, 01001, UKRAINE.

SWIFT Code: PBANUA2X

IBAN (Bank account): UA703052990000026002034913056

Correspondent bank: JP Morgan Chase Bank, New York, USA

SWIFT Code: CHASUS33

Account: 001-1-000080

(for US customers: ABA ROUTING of JP Morgan Chase Bank # 021000021)































Invoice may be paid by Visa or MasterCard

With FONDY United Kingdom payment company (<http://fondy.eu>)

With PayPal viktortechmanuals@gmail.com (private account)

See details on page: <https://engine.od.ua/payment>

Deutz 816 Parts Catalogs Folder

-  816-Deutz-BA06M-816-sn6445951-174pages-(Wartsila).pdf
-  816-Deutz-BA06M-816-sn6840828-1983year-145pages.pdf
-  816-Deutz-BA06M-816-sn6973333-168pages-(Wartsila).pdf
-  816-Deutz-BA06M-816-without-sn-165pages-(Wartsila).pdf
-  816-Deutz-BA06M-816-without-sn-165pages-(Wartsila)-CONTENT.pdf
-  816-Deutz-BA08M-816-357kW-1650rpm-sn6646497-1982year-121pages-(Wartsila).pdf
-  816-Deutz-BA08M-816-385kW-1500rpm-sn7546570-1991year-137pages.pdf
-  816-Deutz-BA08M-816-413kW-1500rpm-sn7655536-1989year-196pages-(Wartsila).pdf
-  816-Deutz-BA08M-816-sn5862253-1980year-170pages.pdf
-  816-Deutz-BA08M-816-sn06075221-84pages.pdf
-  816-Deutz-BA08M-816-sn7432349-156pages.pdf
-  816-Deutz-BA12M-816-460kW-1200rpm-sn6075288-172pages-(Wartsila).pdf
-  816-Deutz-BA12M-816-680kW-1800rpm-sn7547140-1991year-169pages.pdf
-  816-Deutz-BA12-M816-sn5862639-1977year-193pages.pdf
-  816-Deutz-BA12M-816-sn6120385-1981year-140pages.pdf
-  816-Deutz-BA12M-816-sn6120397-139pages-(Wartsila).pdf
-  816-Deutz-BA12M-816-sn6639911-1981year-141pages.pdf
-  816-Deutz-BA12M-816-sn6745828-1982year-145pages.pdf
-  816-Deutz-BA12M-816-without-sn-139pages.pdf
-  816-Deutz-BA16M-816-sn5862724-1979year-192pages.pdf
-  816-Deutz-BA16M-816-sn6445810-1981year-162pages.pdf
-  816-Deutz-BA16M-816-sn6536367-1981year-164pages.pdf
-  816-Deutz-BA16M-816-sn6745980-200pages-(Wartsila).pdf
-  816-Deutz-BA16M-816-sn6920762-1983year-192pages.pdf
-  816-Deutz-BA16M-816-sn6920762-1983year-192pages-CONTENTS.pdf
-  816-Deutz-BA16M-816-sn7300615-195pages-(Wartsila).pdf
-  816-Deutz-BA16M-816-sn7489239-242pages-(Wartsila).pdf
-  816-Deutz-BA16M-816-sn7547226-General-(DEUTZ-MWM)-de-en-fr-sp-242pages.pdf
-  816-Deutz-BA16M-816-sn7547226-General-(DEUTZ-MWM)-de-en-fr-sp-242pages-CONTENTS.pdf
-  816-Deutz-BA16M-816-sn7849239-240pages-(Wartsila).pdf



Spare Parts Catalog

BA16M 816 s/n 6920762

Equipment information

Equipment:	00006920762
Type:	BA16M 816
Output:	0000000,0 kW
Speed:	0000 1/min
Build date:	01.10.1983
KLU-Number:	
ETL scope:	EU061026
MVS:	212
Customer:	MWM Asia Pacific
Location:	Singapore
Country:	Singapore
VKU date:	01.10.1983
VKU' date:	
Commissioning date:	
Begin of guarantee period:	
Man. begin of guar. period:	no
End of guarantee period:	
ID maintenance contract:	
ID insurance contract:	
Guarantee package:	

Assembly group directory

Equipment:	00006920762	Engine type:	BA16M 816
Output:	0000000,0 kW	Speed:	0000 1/min
ETL scope:	EU061026		

CG	ETL-No.	Designation (en)	Designation (en)
1		Crankcase	
1	0501 8406	Oil line	Oil line
1	0501 8413	Rear end cover	Rear end cover
1	0501 8417	Front cover	Front cover
1	0501 8436	Wet air cleaner	Wet air cleaner
1	0501 8452	Suspension eye	Suspension eye
1	0501 9314	Breather pipe	Breather pipe
1	0501 9321	Breather	Breather
1	0501 9344	Wet air cleaner	Wet air cleaner
1	0503 1987	Cover	Cover
1	0503 8977	Crankcase	Crankcase
2		Oil pan	
2	0501 8440	Oil pan	Oil pan
2	0501 9347	Dipstick	Dipstick
5		Crankshaft	
5	0501 8408	Damper	Damper
5	0501 8409	Fastenings	Fastenings
5	0501 8429	Crankshaft	Crankshaft
5	0501 8781	Flywheel	Flywheel
6		Connecting rod	
6	0501 8410	Connecting rod	Connecting rod
7		Piston	
7	0503 1951	Piston	Piston
8		Cylinder head	
8	0501 8637	Fastenings	Fastenings
8	0501 8784	Cylinder head	Cylinder head
10		Camshaft	
10	0501 8699	Tacho drive	Tacho drive
10	0503 1327	Gear train	Gear train
11		Timing gears	
11	0501 8415	Valve drive	Valve drive
14		Lube oil pump	
14	0501 8401	Lubricat. oil pump	Lubricat. oil pump
14	0501 8457	Valve seat lubric.	Valve seat lubric.
14	0501 8506	Valve seat lubric.	Valve seat lubric.
14	0501 8530	Suction pipe	Suction pipe
15		Lube oil/-cooler	
15	0501 8447	Fastenings	Fastenings
15	0501 8603	Lubric. oil filter	Lubric. oil filter
15	0501 8610	Centrifug.mounting	Centrifug.mounting
15	0503 1339	Oil cooler	Oil cooler
16		Oil pipes	
16	0501 8402	Suction pipe	Suction pipe
16	0501 8442	Semi-rotary pump	Semi-rotary pump
16	0501 8453	Piston cooling	Piston cooling
16	0501 8528	Pressure oil line	Pressure oil line
16	0501 8529	Disch./drain pipe	Disch./drain pipe
16	0501 9371	Lubricat. oil line	Lubricat. oil line
17		Injection pump	

Equipment:	00006920762	Engine type:	BA16M 816
Output:	0000000,0 kW	Speed:	0000 1/min
ETL scope:	EU061026		

CG	ETL-No.	Designation (en)	Designation (en)
17	0501 8544	Fuel inject. pump	Fuel inject. pump
17	0501 8549	Fastenings	Fastenings
17	0501 9397	Connection	Connection
17	0502 7064	Parts inject.pump	Parts inject.pump
17	0502 7065	Parts inject.pump	Parts inject.pump
17	0502 7066	Parts of fuel pump	Parts of fuel pump
17	0502 7067	Parts of governor	Parts of governor
18		Injection pump drive	
18	0501 8419	Inject. pump drive	Inject. pump drive
19		Injector	
19	0502 9151	Parts of injector	Parts of injector
19	0503 1886	Fuel injector	Fuel injector
20		Fuel filter	
20	0501 8585	Fuel duplex filter	Fuel duplex filter
20	0501 8948	Hose assembly	Hose assembly
20	0503 1620	Fuel duplex filter	Fuel duplex filter
21		Fuel pipes/fuel tank	
21	0501 8487	Leak off line	Leak off line
21	0501 8492	Hose assembly	Hose assembly
21	0501 8493	Accessories	Accessories
21	0501 8521	High pressure pipe	High pressure pipe
21	0501 8588	Fuel line	Fuel line
21	0501 8592	Hose assembly	Hose assembly
21	0501 9363	Drain line	Drain line
21	0501 9364	Fastening clip	Fastening clip
22		Suction pipe/air cleaner	
22	0501 8404	Charge air elbow	Charge air elbow
22	0501 8425	Charge air pipe	Charge air pipe
22	0501 8426	Charge air pipe	Charge air pipe
22	0501 8903	Bath air cleaner	Bath air cleaner
22	0501 9372	Intake elbow	Intake elbow
22	0503 1578	Protecting cap	Protecting cap
29		Control linkage	
29	0501 8721	Control unit	Control unit
29	0501 8723	Accessories	Accessories
34		Vibration damper	
34	0503 8978	Auxiliary drive	Auxiliary drive
37		Cooling water pump	
37	0501 8709	Fastenings	Fastenings
37	0501 8751	Cooling water pump	Cooling water pump
37	0501 8928	Drive	Drive
38		Water pipes	
38	0501 8458	Cooling water line	Cooling water line
38	0501 8946	Cooling water line	Cooling water line
38	0501 9322	Bracket	Bracket
38	0501 9355	Cooling water line	Cooling water line
38	0501 9357	Cooling water line	Cooling water line
38	0501 9358	Cooling water line	Cooling water line
38	0501 9362	Cooling water line	Cooling water line
38	0503 1325	Breather line	Breather line

Equipment:	00006920762	Engine type:	BA16M 816
Output:	0000000,0 kW	Speed:	0000 1/min
ETL scope:	EU061026		

CG	ETL-No.	Designation (en)	Designation (en)
39		Cooling air blower	
39	0501 8710	Tensioning pulley	Tensioning pulley
39	0503 1666	V-grooved pulley	V-grooved pulley
39	0503 1673	Fan	Fan
39	0503 1981	Fan support	Fan support
39	0503 8795	Set narrow v-belts	Set narrow v-belts
41		Exhaust manifold	
41	0501 8416	Expansion joint	Expansion joint
41	0501 8461	Support	Support
41	0501 8564	Insulation	Insulation
41	0501 8591	Exhaust pipe	Exhaust pipe
41	0501 8743	Accessories	Accessories
41	0501 8785	Corrugated tube	Corrugated tube
41	0501 8847	Exhaust manifold	Exhaust manifold
41	0503 1388	Hood	Hood
42		Cranking device	
42	0501 9381	Turn-over gear	Turn-over gear
43		Turbocharger	
43	0501 8640	Hood	Hood
43	0503 1963	Turbocharger	Turbocharger
44		Alternator/starter motor	
44	0501 8454	Starter	Starter
44	0501 8738	Generator	Generator
44	0502 8969	Parts of alternat.	Parts of alternat.
44	0502 8971	Parts start.motor	Parts start.motor
44	0503 1310	Bracket	Bracket
46		Engine mounting, rigid	
46	0501 8749	Engine mounting	Engine mounting
48		Electrical accessories	
48	0501 8645	Switching device	Switching device
48	0501 8646	Temper.transmitter	Temper.transmitter
48	0501 8741	Regulator cut-out	Regulator cut-out
48	0501 8747	Repeater relay	Repeater relay
48	0501 8765	Temper.transmitter	Temper.transmitter
48	0501 8766	Switching device	Switching device
48	0501 8771	Tacho switch	Tacho switch
48	0501 8809	Heater system	Heater system
48	0501 8950	Pushbutton	Pushbutton
48	0501 8951	Pushbutton	Pushbutton
48	0501 9376	Electrical parts	Electrical parts
48	0501 9378	Hose assembly	Hose assembly
48	0503 1676	Indicator light	Indicator light
48	0503 1677	Incandescent lamp	Incandescent lamp
48	0503 1890	Relay	Relay
48	0503 1894	Incandescent lamp	Incandescent lamp
49		Tools	
49	0501 8676	Fitting ring	Fitting ring
49	0501 8677	Toolkit	Toolkit
49	0501 8680	Articul spanner	Articul spanner
51		Measuring instruments	
51	0501 8456	Tacho drive	Tacho drive

Equipment: 00006920762
Output: 0000000,0 kW
ETL scope: EU061026

Engine type: BA16M 816
Speed: 0000 1/min

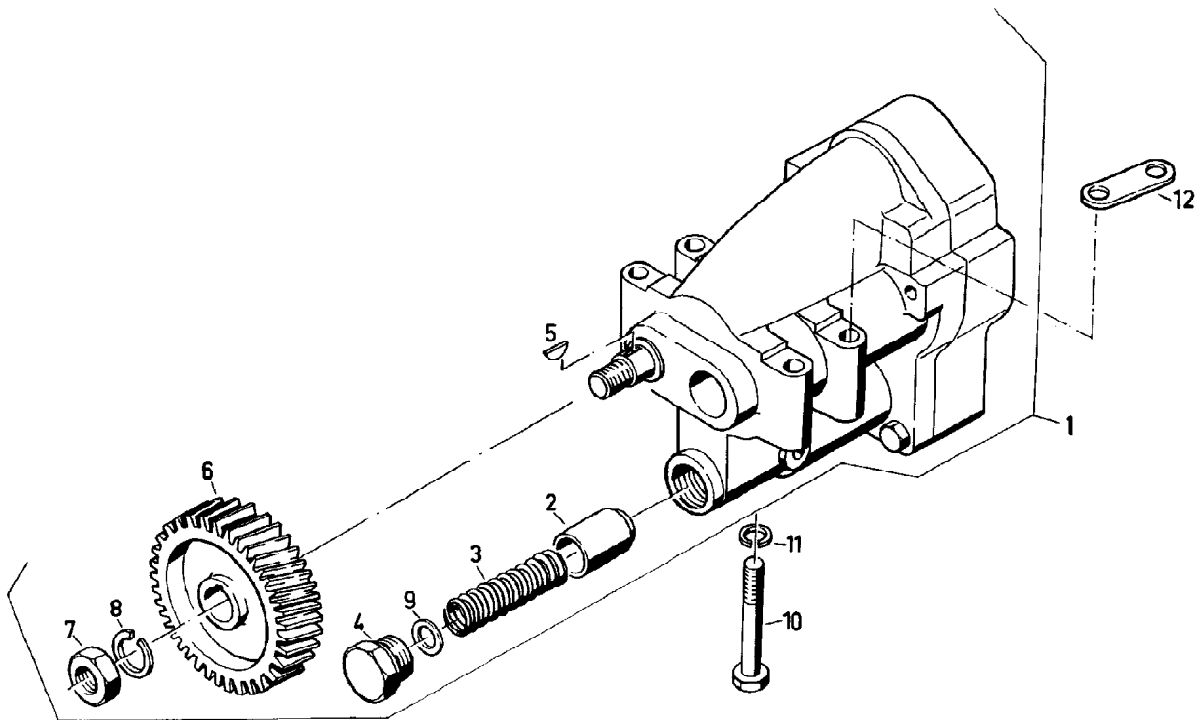
CG	ETL-No.	Designation (en)	Designation (en)
51	0501 8477	Thermometer	Thermometer
51	0501 8478	Thermometer	Thermometer
51	0501 8480	Thermometer	Thermometer
51	0501 8491	Accessories	Accessories
51	0501 8773	Pressure gauge	Pressure gauge
51	0501 8779	Pressure gauge	Pressure gauge
51	0501 8780	Instrumentation	Instrumentation
51	0501 8944	Pressure gauge	Pressure gauge
51	0501 9379	Pressure gauge	Pressure gauge
51	0501 9380	Tachometer	Tachometer
51	0503 1903	Accessories	Accessories
52		Clutch	
52	0501 8719	Driving parts	Driving parts
52	0501 8952	Connection housing	Connection housing
52	0503 8879	Flexible coupling	Flexible coupling
52	0503 8906	Clutch assembly	Clutch assembly
56		Engine shutdown	
56	0501 9377	Solenoid mounting	Solenoid mounting
56	0502 9149	Solenoid	Solenoid
57		V-belt guard	
57	0501 8659	Protection hood	Protection hood
57	0501 9328	Protection hood	Protection hood
57	0501 9335	Protection hood	Protection hood
57	0501 9361	Cover	Cover
57	0503 1630	Protection hood	Protection hood
58		Intercooler	
58	0501 8411	Cooler assembly	Cooler assembly
58	0506 0065	Charge air cooler	Charge air cooler
58	0506 0066	Charge air cooler	Charge air cooler
63		Starting aid	
63	0501 8472	Preheater	Preheater

ETL no.: 0501 8401 Lubricat. oil pump

Constr. Group: 14

Equipment: 00006920762
 Output: 0000000,0 kW
 ETL scope: EU061026

Engine type: BA16M 816
 Speed: 0000 1/min



0501 8401

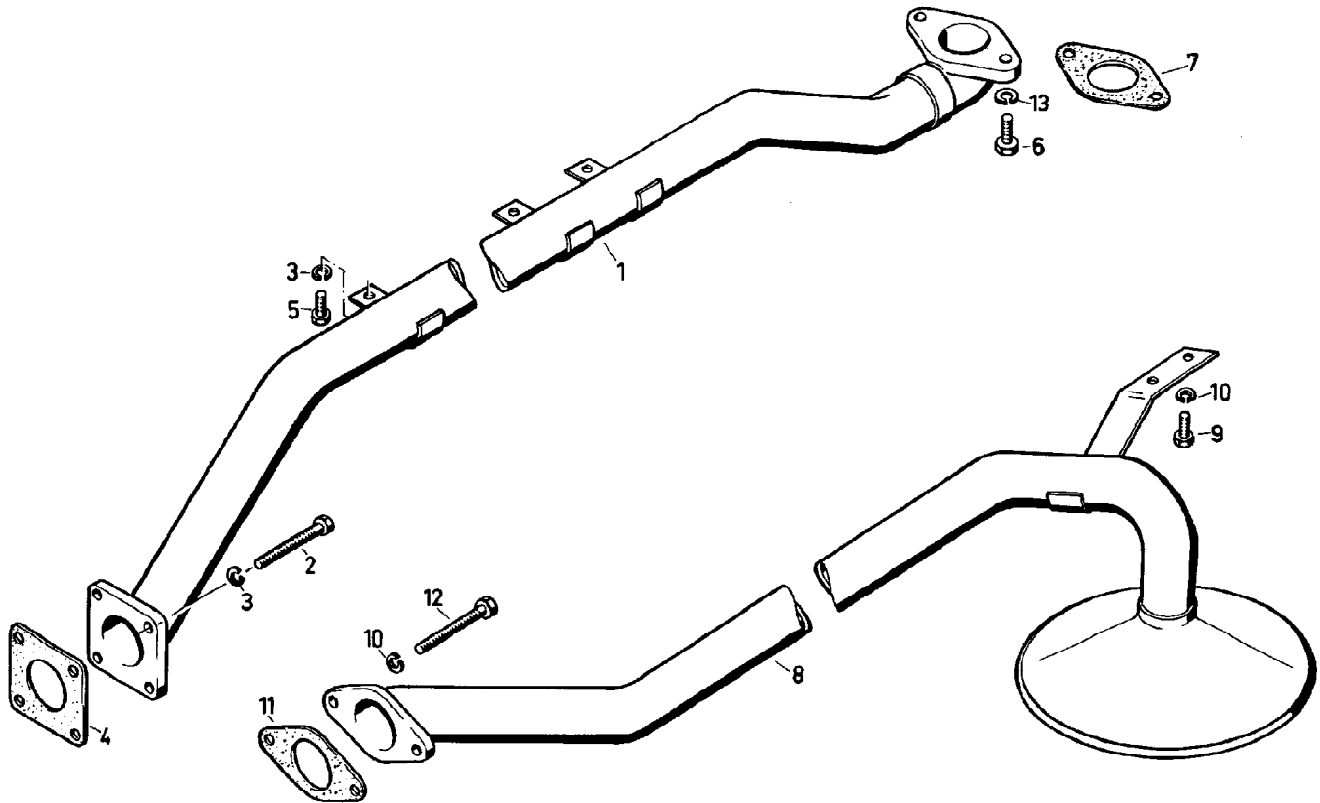
Item	Material	Kit	MS	VS	Quant	Unit	Ord	Designation (en)	Designation (en)	Remark
1	02157150				1	ST		Lubricat. oil pump	Lubricat. oil pump	
2	03365901				1	ST		Valve plunger	Valve plunger	
3	03354063				1	ST		Helical spring	Helical spring	
4	01216206				1	ST		Screw plug	Screw plug	
5	01118333				1	ST		Woodruff key	Woodruff key	
6	02159711				1	ST		Drive gear	Drive gear	
7	01104589				1	ST		Hexagon nut	Hexagon nut	
8	01102837	10			1	ST		Lock washer	Lock washer	
9	01215748				5	ST		Plain washer	Plain washer	
10	01112466	20	20		4	ST		Hexagon bolt	Hexagon bolt	
11	01102800				4	ST		Lock washer	Lock washer	
12	03373575				6	ST		Shim	Shim	

ETL no.: 0501 8402 Suction pipe

Constr. Group: 16

Equipment: 00006920762
 Output: 0000000,0 kW
 ETL scope: EU061026

Engine type: BA16M 816
 Speed: 0000 1/min



0501 8402

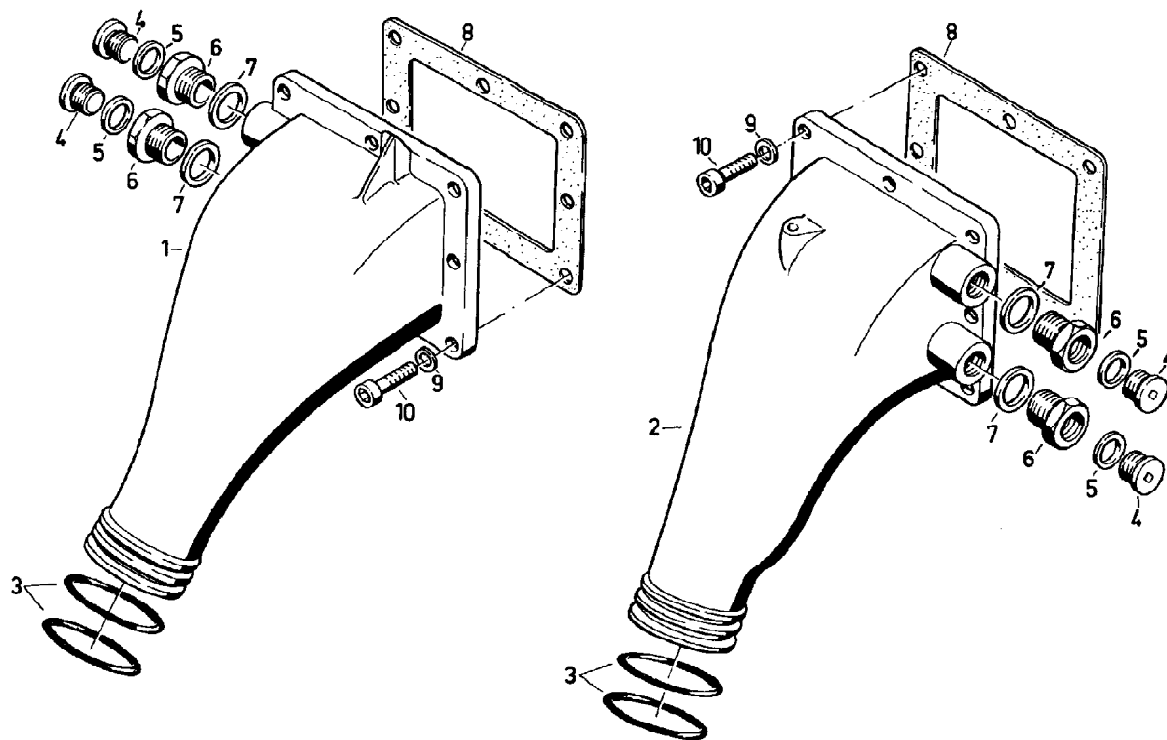
Item	Material	Kit	MS	VS	Quant	Unit	Ord	Designation (en)	Designation (en)	Remark
1	02154056				1	ST		Pressure oil line	Pressure oil line	
2	01111166				2	ST		Hexagon bolt	Hexagon bolt	
3	01102799				6	ST		Lock washer	Lock washer	
4	01167535				1	ST		Flange gasket	Flange gasket	
5	01112303	10			2	ST		Hexagon bolt	Hexagon bolt	
6	01112407	20	20		2	ST		Hexagon bolt	Hexagon bolt	
7	01120823				1	ST		Gasket	Gasket	
8	02154012	10			1	ST		Inlet pipe	Inlet pipe	
9	01112324				2	ST		Hexagon bolt	Hexagon bolt	
10	01102799				4	ST		Lock washer	Lock washer	
11	02154635	10			1	ST		Gasket	Gasket	
12	01111162	10	10		2	ST		Hexagon bolt	Hexagon bolt	
13	01102800				2	ST		Lock washer	Lock washer	

ETL no.: 0501 8404 Charge air elbow

Constr. Group: 22

Equipment: 00006920762
 Output: 0000000,0 kW
 ETL scope: EU061026

Engine type: BA16M 816
 Speed: 0000 1/min



0501 8404

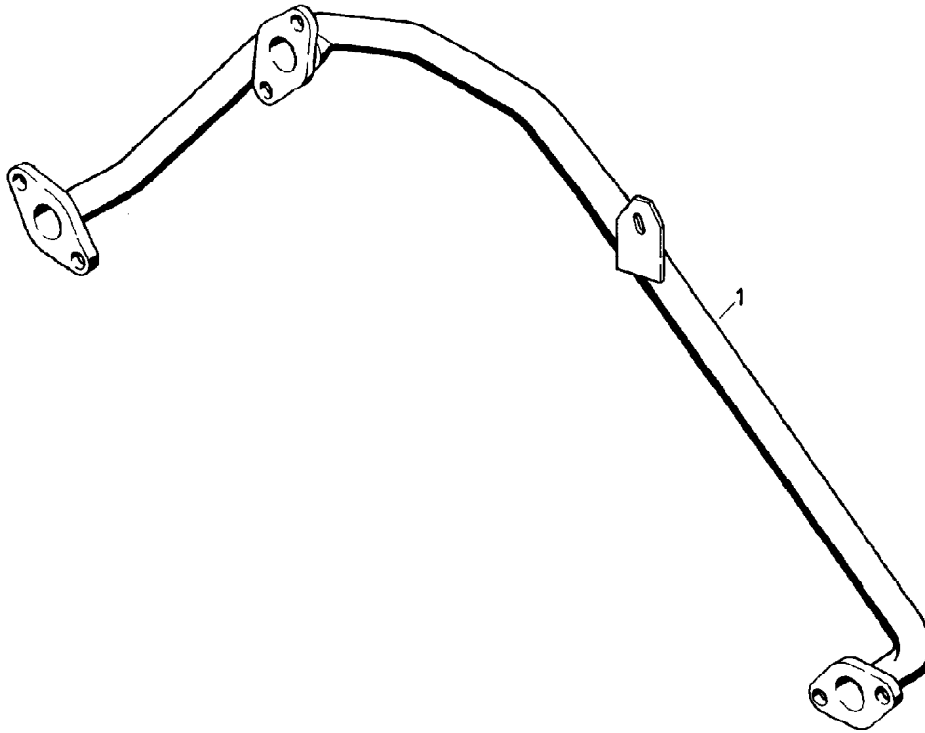
Item	Material	Kit	MS VS	Quant	Unit	Ord	Designation (en)	Designation (en)	Remark
1	04000495			1	ST		Charge air elbow	Charge air elbow	
2	04000437			1	ST		Charge air elbow	Charge air elbow	
3	01212511			4	ST		O-seal	O-seal	
4	01235147			4	ST		Screw plug	Screw plug	
5	01118737			4	ST		Sealing ring	Sealing ring	
6	01165615			4	ST		Adapter nipple	Adapter nipple	
7	01118774			4	ST		Sealing ring	Sealing ring	
8	02155145			2	ST		Gasket	Gasket	
9	01107548			16	ST		Plain washer	Plain washer	
10	01110577			16	ST		Cheese head screw	Cheese head screw	

ETL no.: 0501 8406 Oil line

Constr. Group: 01

Equipment: 00006920762
 Output: 0000000,0 kW
 ETL scope: EU061026

Engine type: BA16M 816
 Speed: 0000 1/min



0501 8406

Item	Material	Kit	MS VS	Quant	Unit	Ord	Designation (en)	Designation (en)	Remark
1	02154353			1	ST		Oil line	Oil line	

Catalogue

DEUTZ

D816

BA6M816

Assembly group directory

Equipment:

Output:

ETL scope:

Engine type:

BA 6M 816

Speed:

CG	ETL-No.	Designation (en)	Designation (de)
1		Crankcase	
1	0501 8858	Cover	Deckel
1	0501 8859	Front cover	Vorderer-Deckel
1	0501 8860	Rear end cover	Hinterer Deckel
1	0501 8918	Crankcase	Kurbelgehaeuse
1	0501 9317	Oil filler neck	Oeleinfullstutzen
1	0501 9320	Breather line	Entlueftungs.Leit.
2		Oil pan	
2	0501 8421	Oil pan	Oelwanne
2	0501 8876	Additional tank	Zusatzbehaelter
2	0503 1369	Dipstick	Oelmessstab
5		Crankshaft	
5	0501 8868	Vibration damper	Schwings.Daempfer
5	0503 1386	Crankshaft	Kurbelwelle
5	0506 0152	Flywheel	Schwungrad
6		Connecting rod	
6	0501 8856	Connecting rod	Pleuelstange
7		Piston	
7	0503 1951	Piston	Kolben
8		Cylinder head	
8	0501 8423	Cylinder head	Zylinderkopf
8	0501 8884	Fastenings	Befestigungsteile
10		Camshaft	
10	0501 9329	Camshaft	Nockenwelle
11		Timing gears	
11	0501 8415	Valve drive	Steuerungsteile
14		Lube oil pump	
14	0501 8457	Valve seat lubric.	Ventilsitzschmier.
14	0503 1329	Valve seat lubric.	Ventilsitzschmier.
14	0503 8974	Lubricat. oil pump	Schmieroelpumpe
15		Lube oil/-cooler	
15	0501 8539	Oil cooler	Oelkuehler
15	0501 8887	Lubric. oil filter	Schmieroelfilter
15	0503 1376	Blanking parts	Verschlusssteile
16		Oil pipes	
16	0501 8526	Lubricat. oil line	Schmieroelleitung
16	0501 8532	Lubricat. oil line	Schmieroelleitung
16	0501 8851	Pump assy	Fluegelpumpenanbau
16	0501 8889	Lubricat. oil line	Schmieroelleitung
16	0501 9323	Piston cooling	Kolbenkuehlung
17		Injection pump	
17	0501 8498	Clutch/coupling	Kupplung
17	0502 7066	Parts of fuel pump	Teile Kr.Foerderp.
17	0502 7073	Parts of governor	Teile Drehz.Regler
17	0502 9079	Parts inject.pump	Teile Zur E.Pumpe
17	0503 1993	Fuel inject. pump	Einspritzpumpe
18		Injection pump drive	

Equipment:
Output:
ETL scope:

Engine type: BA 6M 816
Speed:

CG	ETL-No.	Designation (en)	Designation (de)
18	0503 8997	Inject. pump drive	Einspritzp.Antrieb
19		Injector	
19	0502 9151	Parts of injector	Teile Einspr.Ventl
19	0503 1886	Fuel injector	Einspritzventil
20		Fuel filter	
20	0501 3045	Solder.nipple	Loetstutzen
20	0502 2383	Fuel duplex filter	Kr.St.Doppelfilter
20	0503 1930	Fuel duplex filter	Kr.St.Doppelfilter
21		Fuel pipes/fuel tank	
21	0501 8492	Hose assembly	Schlauchleitung
21	0501 8493	Accessories	Anschluss teil
21	0501 8586	Hose assembly	Schlauchleitung
21	0501 8818	High pressure pipe	Einspritzleitung
21	0501 8919	Leak off line	Leckoelleitung
21	0503 1680	Fuel line	Kraftstoffleitung
21	0503 1681	Fuel line	Kraftstoffleitung
22		Suction pipe/air cleaner	
22	0501 8897	Charge air pipe	Ladeluftleitung
22	0501 8898	Wet air cleaner	Nassluftfilter-Anb
22	0501 8906	Charge air pipe	Ladeluftleitung
26		Heater plug installation	
26	0501 8840	Heater system	Gluehanlage
29		Control linkage	
29	0501 8726	Control unit	Steuergeraet
29	0503 1354	Accessories	Anbauteile
29	0503 1360	Accessories	Anbauteile
30		Airstarting control	
30	0501 8500	Fastenings	Befestigung
30	0501 8811	Blow off valve	Ausblaseventil
30	0503 8844	Air distributor	Druckl.Anl.Steuerg
30	0503 8848	Fastenings	Befestigungsteile
32		Starting system	
32	0503 8846	Pneumatic line	Druckluftleitung
34		Vibration damper	
34	0501 8764	Auxiliary drive	Hilfsantrieb
36		Water cooler	
36	0501 8537	Expansion tank	Ausgleichbehaelter
36	0501 8560	Blanking parts	Verschlusssteile
36	0503 8931	Heat exchanger	Wasserrueckkuehler
37		Cooling water pump	
37	0501 8578	Raw water pump	Rohwasserpumpe
37	0501 8579	Drive	Antrieb
37	0501 8861	V-grooved pulley	Keilriemenscheibe
37	0501 8867	Fastenings	Befestigungsteile
37	0501 9408	Cooling water pump	Kuehlwasserpumpe
37	0503 1322	Drain line	Abflussleitung
37	0503 1344	Belt tensioner	Riemenspanner
38		Water pipes	

Equipment:
Output:
ETL scope:

Engine type: BA 6M 816
Speed:

CG	ETL-No.	Designation (en)	Designation (de)
38	0501 8776	Gate valve	Flanschschieber
38	0501 9407	Water thermostat	Kuehlwasserregler
38	0503 1656	Raw water line	Rohwasserleitung
38	0503 1694	Cooling water line	Kuehlwasserleitung
38	0503 1954	Cooling water line	Kuehlwasserleitung
38	0503 1955	Cooling water line	Kuehlwasserleitung
39		Cooling air blower	
39	0503 1675	Set narrow v-belts	Schmalkeilr.Satz
41		Exhaust manifold	
41	0501 8562	Exhaust pipe	Abgasleitung
41	0501 8718	Exm manifold ins	Isolierung
41	0501 8743	Accessories	Anschlusssteil
41	0501 8785	Corrugated tube	Wellrohr
41	0501 8845	Expansion joint	Dehnungsausgleich.
41	0501 8846	Exhaust manifold	Abgasrohrkruemmer
41	0503 1388	Hood	Haube
41	0503 1604	Cooling air baffle	Abschirmblech
43		Turbocharger	
43	0501 8643	Insulation	Isolierung
43	0503 1383	Turbocharger	Abgasturbolader
43	0503 1399	Accessories	Anbauteile
46		Engine mounting, rigid	
46	0501 9388	Eyelet bolt	Oesenschraube
46	0503 1956	Engine mounting	Motorlagerung
48		Electrical accessories	
48	0501 8758	Incandescent lamp	Gluehlampe
48	0501 8761	Temperature gauge	Temperaturanzeiger
48	0501 8765	Temper.transmitter	Temperaturgeber
48	0501 8766	Switching device	Schaltgeraet
48	0501 8769	Temper.transmitter	Temperaturgeber
48	0501 8782	Temper.transmitter	Temperaturgeber
48	0501 8783	Switching device	Schaltgeraet
48	0501 8796	Electrical parts	Elektroteile
48	0501 8829	Heater plug resist	Gluehk.Widerstand
48	0501 8931	Switching device	Schaltgeraet
48	0501 8939	Temper.transmitter	Temperaturgeber
48	0501 8943	Electrical parts	Elektroteile
48	0501 8945	Electrical parts	Elektroteile
48	0501 8951	Pushbutton	Drucktaster
48	0501 9301	Protective system	Ueberwachungsanl.
48	0503 1677	Incandescent lamp	Gluehlampe
48	0503 1877	Hose assembly	Schlauchleitung
48	0503 8993	Electrical parts	Elektroteile
49		Tools	
49	0501 8676	Fitting ring	Montagering
49	0501 8677	Toolkit	Werkzeugsatz
49	0501 8678	Tool	Werkzeug
49	0501 8702	Turn-over gear	Durchdrehvorrichtg
49	0501 9345	Hose assembly	Schlauchleitung
51		Measuring instruments	

Equipment:
Output:
ETL scope:

Engine type: BA 6M 816
Speed:

CG	ETL-No.	Designation (en)	Designation (de)
51	0501 8972	Instrumentation	Uebrwa.Instrumente
51	0503 1547	Thermometer	Thermometer
51	0503 1860	Temper.transmitter	Temperaturgeber
51	0503 1889	Pressure gauge	Druckanzeiger
51	0503 1891	Temperature gauge	Temperaturanzeiger
52		Clutch	
52	0500 4911	Fastenings	Befestigungsteile
52	0501 8697	Connection housing	Anschlussgehaeuse
52	0503 1689	Driving parts	Antriebsteile
52	0503 1958	Spacer ring	Zwischenring
56		Engine shutdown	
56	0502 9131	Parts soleno.valve	Teile Magnetventil
56	0502 9149	Components	Einzelteile
56	0503 8878	Device	Vorrichtung
56	0503 8943	Solenoid valv	Magnetventilanbau
57		V-belt guard	
57	0503 1605	Protection hood	Schutzhaube
57	0503 1623	Protection hood	Schutzhaube
57	0503 1940	V-belt guard	Keilriemenschutz

ETL no.: 0501 8858 Cover

Constr. Group: 01

Equipment:

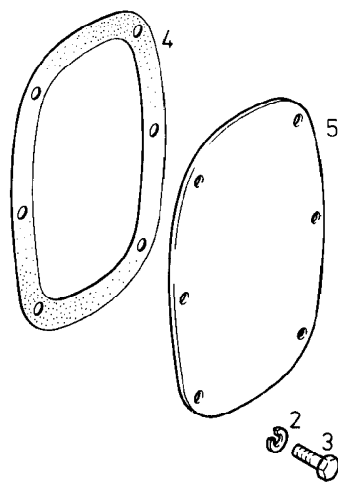
Engine type:

BA 6M 816

Output:

Speed:

ETL scope:



0501 8858

Item	Material	MS	Quantity	Unit	Ord	Designation (en)	Designation (de)	Remark
2	0110 2799	6		ST		Lock washer	Federring	DIN 128 -A8-FST-A4C
3	0111 2307	6		ST		Hexagon bolt	Sechskantschrau..	ISO 4017 -M8X16-8.8-A4C
4	0400 9980	1		ST		Gasket	Dichtung	
5	0215 0919	1		ST		Cover	Deckel	

ETL no.: 0501 8859 Front cover

Constr. Group: 01

Equipment:

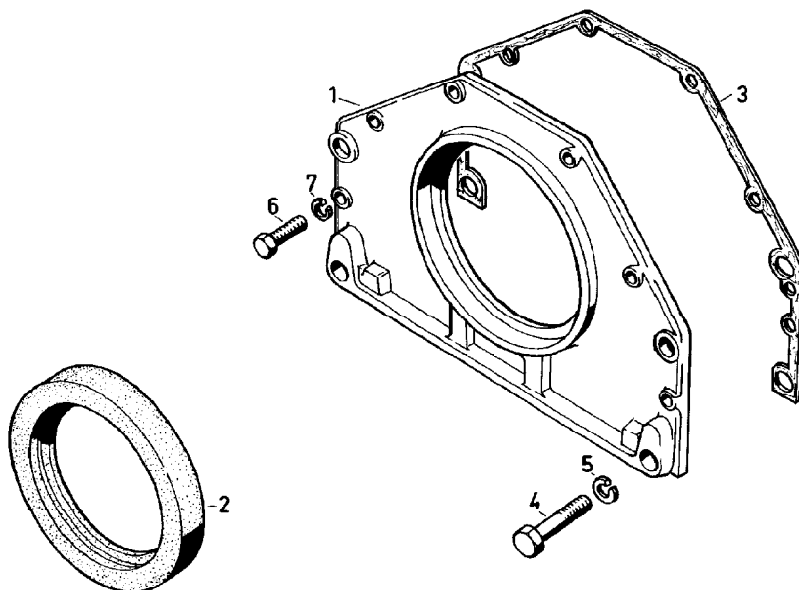
Engine type:

BA 6M 816

Output:

Speed:

ETL scope:



0501 8859

Item	Material	MS	Quantity	Unit	Ord	Designation (en)	Designation (de)	Remark
1	0400 6973	1		ST		Front cover	Vorderer-Deckel	
2	0117 5820	1		ST		Rot.shaft lip seal	Wellendichtring	H 2940 -US-W-160X190X15-FPM
3	0337 3135	1		ST		Gasket	Dichtung	
4	0111 1870	90	4	ST		Hexagon bolt	Sechskantschrau..	DIN 931 -M16X60-8.8-A4C
5	0115 1004	20	4	ST		Plain washer	Scheibe	DIN 125 -17-200HV
6	0111 2341	20	6	ST		Hexagon bolt	Sechskantschrau..	ISO 4017 -M8X30-8.8-A4C
7	0110 2799	6		ST		Lock washer	Federring	DIN 128 -A8-FST-A4C

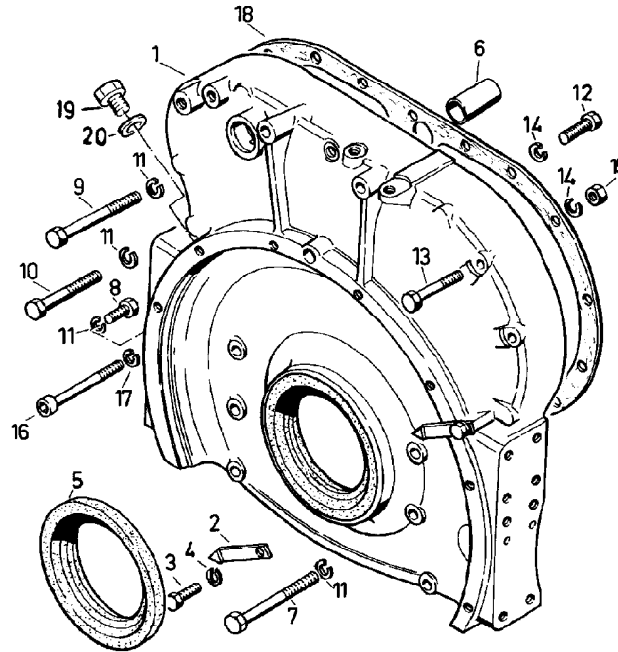
ETL no.: 0501 8860 Rear end cover

Constr. Group: 01

Equipment:
Output:
ETL scope:

Engine type: BA 6M 816
Speed:

4 / 82



0501 8860

Item	Material	MS	Quantity	Unit	Ord	Designation (en)	Designation (de)	Remark
1	0401 6254		1		ST	Rear end cover	Hinterer Deckel	
2	0337 3096		1		ST	Tdc-pointer	Totpunktanzeiger	
3	0111 2299	20	1		ST	Hexagon bolt	Sechskantschrau..	ISO 4017 -M8X12-8.8-A4C
4	0110 2799		1		ST	Lock washer	Federring	DIN 128 -A8-FST-A4C
5	0009 4765		1		ST	Rot.shaft lip seal	Wellendichtring	NUR LINKSDREHEND
6	0337 3094		2		ST	Dowel bush	Passbuchse	
7	0111 1342	20	6		ST	Hexagon bolt	Sechskantschrau..	DIN 931 -M10X85-8.8-A4C
8	0111 2412	20	2		ST	Hexagon bolt	Sechskantschrau..	DIN 933 -M10X22-8.8-A4C
9	0111 1366		2		ST	Hexagon bolt	Sechskantschrau..	DIN 931 -M10X115-8.8-A-A4C
10	0111 1342	20	1		ST	Hexagon bolt	Sechskantschrau..	DIN 931 -M10X85-8.8-A4C
11	0110 2800		11		ST	Lock washer	Federring	DIN 128 -A10-FST-A4C
12	0111 2322	20	6		ST	Hexagon bolt	Sechskantschrau..	ISO 4017 -M8X20-8.8-A4C
13	0111 2333	20	2		ST	Hexagon bolt	Sechskantschrau..	ISO 4017 -M8X25-8.8-A4C
14	0110 2799		8		ST	Lock washer	Federring	DIN 128 -A8-FST-A4C
15	0111 2824		2		ST	Hexagon nut	Sechskantmutter	ISO 4032 -M8-8-A4C
16	0112 3705	90	1		ST	Cheese head screw	Zylinderschraube	ISO 4762 -M10X100-8.8-A4C
17	0111 9613		1		ST	Lock washer	Federring	DIN 7980 -10-FST-A4C
18	0337 3097		1		ST	Gasket	Dichtung	
19	0111 8964		1		ST	Screw plug	Verschlusschrau..	DIN 7604 -AM16X1,5-ST
20	0111 8700		1		ST	Sealing ring	Dichtring	DIN 7603 -A16X20-CU

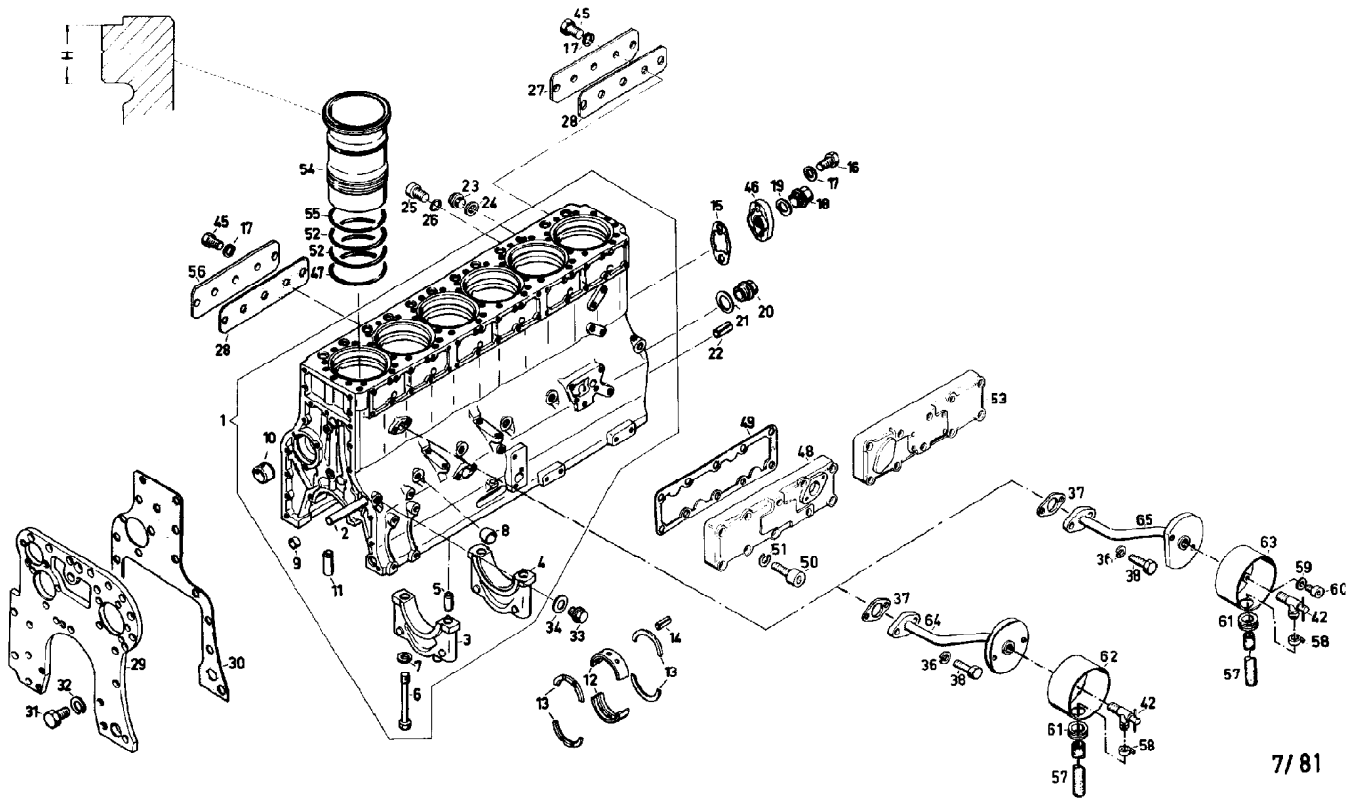
ETL no.: 0501 8918 Crankcase

Constr. Group: 01

Equipment:
Output:
ETL scope:

Engine type:
Speed:

BA 6M 816



0501 8918

Item	Material	MS	Quantity	Unit	Ord	Designation (en)	Designation (de)	Remark
1	0400 9713	10	1	ST		Crankcase	Kurbelgehaeuse	<p>BEI ERSTMALIGEM ERSATZ BIS MOTOR-NR.5 861 926 MUSS BEI ANGEBAUTER KOLBENKUEHLUNG NEUE KOLBENKUEHLUNG TEILE-NR. 400 6298 MITGELIEFERT WERDEN.</p> <p>BEI ERSTMALIGEM ERSATZ MUSS AUSSERDEM BIS MOTOR-NR. 6 445 908 12X VENTILSTOESSEL TEILE-NR.400 7541 MITGELIEFERT WERDEN. ==></p> <p>NOTES: ENGLISH</p> <p>IN THE CASE OF FIRST REPLACEMENT ON ENGINES UP TO S/N 5 861 926, WITH MOUNTED PISTON COOLING, A NEW PISTON COOLING P/N 400 6298 NEEDS TO BE SUPPLIED.</p> <p>IN THE CASE OF FIRST REPLACEMENT UP TO ENGINE S/N 6 445 908, ==></p> <p>12 X VALVE TAPPET P/N</p>

ETL no.: 0501 8918 Crankcase

Constr. Group: 01

Equipment:

Engine type:

BA 6M 816

Output:

Speed:

ETL scope:

Item	Material	MS	Quantity	Unit	Ord	Designation (en)	Designation (de)	Remark
								400 7541 NEED TO BE SUPPLIED.
								. REMRQUE: FRANZOESISCH DANS LE CAS DU PREMIER REPLACEMENT SUR MOTEURS JUSQU'AU NO.5 861 926 AVEC SYSTEME DE REFROIDISSEMENT DU PISTON MONTE', UN NOUVEAU SYSTEME DE REFROIDISSEMENT DU PISTON, TN 400 6298, ==> DOIT ETRE FOURNI EGALEMENT.
								. DANS LE CAS DU PREMIER REPLACEMENT SUR MOTEURS JUSQU'AU NO.6 445 908, 12 POUSSOIRS DE SOUPEPE, TN 400 7541, DOIVENT ETRE FOURNIS EGALEMENT.
								. NOTAS: SPANISCH EN CASO DE PRIMERA ==> SUSTITUCION EN MOTORES HASTA EL NO. 5 861 926 CON SISTEMA DE REFRIGERACION DE PISTON MONTADO, HAY QUE SUMINISTRAR TAMBIEN UN NUEVO SISTEMA DE REFRIGERACION DE PISTON, NO.DE PIEZA 400 6298.
								. EN CASO DE PRIMERA SUSTITUCION HAY QUE SUMINISTRAR ADEMAS, HASTA ==> EL MOTOR NO. 6 445 908, 12 EMPUJADORES DE VALVULA, NO. 400 7541.
2	0215 6641		1		ST	Oil pipe	Oelrohr	
3	0337 3126		6		ST	Bearing cap	Lagerdeckel	
4	0337 3128		1		ST	Bearing cap	Passlagerdeckel	
5	0337 3086		14		ST	Dowel bush	Passbuchse	
6	0116 6940		14		ST	Hexagon bolt	Sechskantschrau.. H 803 -M20X2X160-10.9	
7	0121 6105		14		ST	Plain washer	Scheibe H 2308 -21X35X1,5	
8	0337 1220		6		ST	Proportioning plug	Dosierstopfen	
9	0116 5831		1		ST	Core hole plug	KernlochverschlussH 711 -B27	
10	0401 6171		6		ST	Bearing bush	Lagerbuchse	
11	0400 5025		12		ST	Bush	Buchse	
12	0400 1142		7		ST	Main bearing	Kurbelwellenlager	NORMAL119,00MMRD.(4.6850IN.) REP.STUFEN(POS.950-955)
13	0400 2998		2		ST	Stop ring	Anlaufring	NORMAL 2,985MM(0.1175IN.) REP.STUFEN (POS.956-958)
14	0336 2280		2		ST	Locating pin	Fixierstift	
15	0400 6119		1		ST	Gasket	Dichtung	
16	0111 2326	20	2		ST	Hexagon bolt	Sechskantschrau.. ISO 4017 -M8X22-8.8-A4C	
17	0110 2799		17		ST	Lock washer	Federring DIN 128 -A8-FST-A4C	
18	0111 8980	20	1		ST	Screw plug	Verschlussschrau.. DIN 7604 -AM22X1,5-ST-A4C	
19	0111 8737		1		ST	Sealing ring	Dichtring	DIN 7603 -A22X27-CU