

## Spare Parts Catalogue

Document ID

---

Date of issue

---

Installation

---

Engine type

---

Engine number

---

Project

---

## **© Copyright by Wärtsilä Finland Oy**

All rights reserved. No part of this booklet may be reproduced or copied in any form or by any means (electronic, mechanical, graphic, photocopying, recording, taping or other information retrieval systems) without the prior written permission of the copyright owner.

THIS PUBLICATION IS DESIGNED TO PROVIDE AN ACCURATE AND AUTHORITATIVE INFORMATION WITH REGARD TO THE SUBJECT-MATTER COVERED AS WAS AVAILABLE AT THE TIME OF PRINTING. HOWEVER, THE PUBLICATION DEALS WITH COMPLICATED TECHNICAL MATTERS SUITED ONLY FOR SPECIALISTS IN THE AREA, AND THE DESIGN OF THE SUBJECT-PRODUCTS IS SUBJECT TO REGULAR IMPROVEMENTS, MODIFICATIONS AND CHANGES. CONSEQUENTLY, THE PUBLISHER AND COPYRIGHT OWNER OF THIS PUBLICATION CAN NOT ACCEPT ANY RESPONSIBILITY OR LIABILITY FOR ANY EVENTUAL ERRORS OR OMISSIONS IN THIS BOOKLET OR FOR DISCREPANCIES ARISING FROM THE FEATURES OF ANY ACTUAL ITEM IN THE RESPECTIVE PRODUCT BEING DIFFERENT FROM THOSE SHOWN IN THIS PUBLICATION. THE PUBLISHER AND COPYRIGHT OWNER SHALL UNDER NO CIRCUMSTANCES BE HELD LIABLE FOR ANY FINANCIAL CONSEQUENTIAL DAMAGES OR OTHER LOSS, OR ANY OTHER DAMAGE OR INJURY, SUFFERED BY ANY PARTY MAKING USE OF THIS PUBLICATION OR THE INFORMATION CONTAINED HEREIN.

## Table of contents

### Product type 6R32

#### **100 Engine block, bearings, oil sump Covers**

| Section  | Description                             |
|----------|---|
| 100-002B | Hydraulic jack for main bearing cap     |
| 100-003C | Engine block R32                        |
| 100-006E | Oil sump                                |
| 100-008A | Cylinder liner with anti-polishing ring |
| 107-001A | Casings, covers end plates 6R32         |
| 107-002B | Casings and covers R32                  |
| 107-003B | Pump cover and end cover R32            |

#### **110 Crankshaft, flywheel Connecting rod, piston**

| Section  | Description               |
|----------|---------------------------|
| 110-006E | Crankshaft R32            |
| 111-002D | Connecting rod, H profile |
| 113-010A | Piston                    |
| 114-003C | Flywheel                  |

#### **120 Cylinder head with valves**

| Section  | Description                           |
|----------|---------------------------------------|
| 120-002C | Cylinder head with starting valve     |
| 120-005D | Cylinder head                         |
| 120-006A | Piping for nozzle temperature control |
| 121-001A | Inlet valve                           |
| 121-006B | Exhaust valve with rotocap            |
| 123-001B | Starting valve                        |
| 125-001B | Cylinder head safety valve            |

125-002B Indicator valve

### **130 Intermediate gears**

| Section | Description |
|---------|-------------|
|---------|-------------|

|          |                                |
|----------|--------------------------------|
| 131-002B | Intermediate gear for camshaft |
|----------|--------------------------------|

### **140 Valve mechanism, camshaft**

| Section | Description |
|---------|-------------|
|---------|-------------|

|          |                                 |
|----------|---------------------------------|
| 143-001B | Rocker arms and bearing bracket |
|----------|---------------------------------|

|          |                               |
|----------|-------------------------------|
| 145-002C | Valve tappet with guide block |
|----------|-------------------------------|

|          |                             |
|----------|-----------------------------|
| 148-004B | Camshaft for in-line engine |
|----------|-----------------------------|

### **150 Charge air system**

| Section | Description |
|---------|-------------|
|---------|-------------|

|          |          |
|----------|----------|
| 156-009B | Air bend |
|----------|----------|

|          |                    |
|----------|--------------------|
| 156-010A | Air cooler housing |
|----------|--------------------|

|          |              |
|----------|--------------|
| 156-068A | Turbocharger |
|----------|--------------|

### **160 Injection equipment Gas manifold**

| Section | Description |
|---------|-------------|
|---------|-------------|

|           |                |
|-----------|----------------|
| 165-0004P | Injection pump |
|-----------|----------------|

|          |                      |
|----------|----------------------|
| 167-001C | Fuel injection valve |
|----------|----------------------|

|          |                               |
|----------|-------------------------------|
| 167-008B | Fuel injection pipe, shielded |
|----------|-------------------------------|

|          |   |
|----------|---|
| 167-009A | Connection piece for fuel injection valve |
|----------|---|

### **170 Fuel feed pumps**

| Section | Description |
|---------|-------------|
|---------|-------------|

|          |                |
|----------|----------------|
| 174-003D | Fuel feed pump |
|----------|----------------|

### **180 Lubricating oil pumps, thermostatic valves**

| Section | Description |
|---------|-------------|
|---------|-------------|

|          |                      |
|----------|----------------------|
| 181-004D | Lubricating oil pump |
|----------|----------------------|

|          |  |
|----------|--|
| 181-005A | Pressure control valve for lubricating oil |
|----------|--|

|           |   |
|-----------|---|
| 182-0004E | Electrically operated prelubricating oil pump |
|-----------|---|

|          |  |
|----------|--|
| 183-001A | Thermostatic valve for lubricating oil |
|----------|--|

**190 Cooling water pumps, thermostatic valves**

| Section  | Description                         |
|----------|-------------------------------------|
| 191-003E | Water pump                          |
| 196-005C | Control unit for thermostatic valve |
| 196-008C | Thermostatic valve                  |

**200 Exhaust manifold**

| Section  | Description                              |
|----------|--|
| 200-003B | Exhaust manifold 6R32                    |
| 200-026A | Distance flange                          |
| 200-030B | Two-part rings for exhaust manifold      |
| 200-032A | Two-part ring for exhaust manifold       |
| 200-046A | Bellows for exhaust system               |
| 205-012C | Insulation box for exhaust manifold 6R32 |

**210 Starting equipment**

| Section   | Description              |
|-----------|--------------------------|
| 211-001B  | Starting air distributor |
| 213-001A  | Stop lever and cover     |
| 214-003A  | Water outlet valve       |
| 214-009B  | Starting fuel limiter    |
| 214-0012B | Starting blocking device |
| 217-003A  | Main starting valve      |

**220 Regulating mechanism**

| Section  | Description                                  |
|----------|--|
| 223-003C | Governor drive R32                           |
| 224-004C | Regulating mechanism R32                     |
| 224-005B | Spring loaded rod 4R32, 6R32                 |
| 228-001B | Mechanical overspeed trip device             |
| 228-002B | Cylinder for pneumatic overspeed trip device |
| 228-007F | Cylinder for pneumatic overspeed trip device |
| 228-011E | Air pipes for overspeed trip device          |
| 228-018C | Air pipes for overspeed trip device          |

## 230 Speed measuring system

| Section  | Description            |
|----------|------------------------|
| 231-001A | Speed measuring system |
| 231-002B | Speed pick-ups         |

## 350 Manifold (fuel, lube oil, cooling water, starting air etc.)

| Section   | Description                              |
|-----------|--|
| 350-016A  | Fuel pipe connections to engine R32      |
| 350-018B  | Fuel oil piping                          |
| 350-031C  | Fuel filter module manifold              |
| 350-036C  | Fuel lines in Hot-box, R32               |
| 350-0118A | Cover for fuel filter                    |
| 352-015A  | Lubricating oil pipes                    |
| 352-026A  | Lubricating oil to camshaft              |
| 352-033B  | Lubricating oil pipes to valve mechanism |
| 352-038E  | Lubricating oil pipes to injection pump  |
| 352-051A  | Prelubricating oil system                |
| 352-067B  | Prelubricating oil system                |
| 352-068D  | Lubricating oil pipes                    |
| 352-071B  | Lubricating oil piping                   |
| 354-024C  | Water pipes R32                          |
| 355-042B  | Water pipes from pump                    |
| 355-043B  | HT-pipes between cylinder heads          |
| 355-057A  | HT-water piping                          |
| 355-065A  | TC pipe connections                      |
| 355-075B  | Cooling water pipes to turbocharger      |
| 357-002B  | Starting air system 6R32                 |
| 357-013C  | Starting air system                      |
| 357-014B  | Control air for starting fuel limiter    |
| 358-041B  | Leak fuel oil system, clean              |
| 358-064A  | Leak oil pipes, dirty R32                |
| 358-065B  | Leak oil pipes, alarm R32                |

### **370**            **Cleaning device** **Crankcase ventilation**

| Section   | Description                             |
|-----------|---|
| 372-008B  | Cleaning device for turbocharger        |
| 372-009B  | Washing device for turbine              |
| 372-027B  | Cleaning device for turbocharger        |
| 377-002A  | Crankcase cover with relief valve       |
| 378-001D  | Crankcase breather R32                  |
| 387-0001A | Glue compounds                          |
| 469-005A  | Flexible mounting for common base plate |

### **470**            **Filters** **Coolers**

| Section   | Description                                  |
|-----------|--|
| 470-007C  | Fuel filter                                  |
| 471-003A  | Lubricating oil filter                       |
| 471-006B  | Running-in filter                            |
| 473-0005H | Centrifugal filter                           |
| 474-004C  | Lubricating oil and circulating water cooler |
| 476-001C  | Air cooler                                   |
| 483-003B  | Turning device                               |

### **500**            **Transducers, instrument panel, thermometers**

| Section  | Description                                       |
|----------|---|
| 501-002B | Connecting box for electrical system              |
| 506-005C | Temperature sensors for main bearings             |
| 507-002B | Pressure difference indicator for lube oil filter |
| 507-003A | Temperature transmitter                           |
| 507-006A | Exhaust temperature sensor                        |
| 507-008B | Pressure sensors                                  |
| 507-012A | Limit switch for overload                         |
| 507-014C | Flexible mounting of coupling box                 |
| 507-020B | Pressure difference indicator                     |
| 507-067A | Pressure drop switch for fuel filter              |
| 511-003A | Thermometers                                      |

516-003B Instrument panel

## **600 Connecting pieces, extension shaft, electrical motors**

| Section  | Description                             |
|----------|---|
| 600-001A | Connection piece for turbo/exhaust pipe |
| 604-017A | Inlet pipe for water pump               |
| 604-076B | Flexible hoses R32                      |

## **800 Tools**

| Section   | Description                                |
|-----------|--|
| 810-0001A | Tools for cylinder liner                   |
| 810-0003A | Tools for main bearings                    |
| 837-0002A | Extractor for water pump                   |
| 846-0001A | Toolbox for oil mist detector              |
| 846-0002A | Lifting device for charge air cooler       |
| 848-0001A | Fluid sample kit for vibration dampers     |
| 886-0001B | Hydraulic tightening tools for M56 studs   |
| 886-0002B | Hydraulic tightening tools for M42 studs   |
| 890-0004A | Crimping tool                              |
| 900-0001A | Sealing set for hydraulic tightening tools |



## Alphabetical index

### Product type 6R32

#### A

| Description                         | Section  |
|-------------------------------------|----------|
| Air bend                            | 156-009B |
| Air cooler housing                  | 156-010A |
| Air pipes for overspeed trip device | 228-011E |
| Air pipes for overspeed trip device | 228-018C |
| Air cooler                          | 476-001C |

#### B

| Description                | Section  |
|----------------------------|----------|
| Bellows for exhaust system | 200-046A |

#### C

| Description                                  | Section   |
|--|-----------|
| Cylinder liner with anti-polishing ring      | 100-008A  |
| Casings, covers end plates 6R32              | 107-001A  |
| Casings and covers R32                       | 107-002B  |
| Crankshaft R32                               | 110-006E  |
| Connecting rod, H profile                    | 111-002D  |
| Cylinder head with starting valve            | 120-002C  |
| Cylinder head                                | 120-005D  |
| Cylinder head safety valve                   | 125-001B  |
| Camshaft for in-line engine                  | 148-004B  |
| Connection piece for fuel injection valve    | 167-009A  |
| Control unit for thermostatic valve          | 196-005C  |
| Cylinder for pneumatic overspeed trip device | 228-002B  |
| Cylinder for pneumatic overspeed trip device | 228-007F  |
| Cover for fuel filter                        | 350-0118A |

|   |           |
|---|-----------|
| Cooling water pipes to turbocharger     | 355-075B  |
| Control air for starting fuel limiter   | 357-014B  |
| Cleaning device for turbocharger        | 372-008B  |
| Cleaning device for turbocharger        | 372-027B  |
| Crankcase cover with relief valve       | 377-002A  |
| Crankcase breather R32                  | 378-001D  |
| Centrifugal filter                      | 473-0005H |
| Connecting box for electrical system    | 501-002B  |
| Connection piece for turbo/exhaust pipe | 600-001A  |
| Crimping tool                           | 890-0004A |

**D**

| Description     | Section  |
|-----------------|----------|
| Distance flange | 200-026A |

**E**

| Description                                   | Section   |
|---|-----------|
| Engine block R32                              | 100-003C  |
| Exhaust valve with rotocap                    | 121-006B  |
| Electrically operated prelubricating oil pump | 182-0004E |
| Exhaust manifold 6R32                         | 200-003B  |
| Exhaust temperature sensor                    | 507-006A  |
| Extractor for water pump                      | 837-0002A |

**F**

| Description                             | Section  |
|---|----------|
| Flywheel                                | 114-003C |
| Fuel injection valve                    | 167-001C |
| Fuel injection pipe, shielded           | 167-008B |
| Fuel feed pump                          | 174-003D |
| Fuel pipe connections to engine R32     | 350-016A |
| Fuel oil piping                         | 350-018B |
| Fuel filter module manifold             | 350-031C |
| Fuel lines in Hot-box, R32              | 350-036C |
| Flexible mounting for common base plate | 469-005A |
| Fuel filter                             | 470-007C |

|  |           |
|--|-----------|
| Flexible mounting of coupling box      | 507-014C  |
| Flexible hoses R32                     | 604-076B  |
| Fluid sample kit for vibration dampers | 848-0001A |

**G**

| Description        | Section   |
|--------------------|-----------|
| Governor drive R32 | 223-003C  |
| Glue compounds     | 387-0001A |

**H**

| Description                              | Section   |
|--|-----------|
| Hydraulic jack for main bearing cap      | 100-002B  |
| HT-pipes between cylinder heads          | 355-043B  |
| HT-water piping                          | 355-057A  |
| Hydraulic tightening tools for M56 studs | 886-0001B |
| Hydraulic tightening tools for M42 studs | 886-0002B |

**I**

| Description                              | Section   |
|--|-----------|
| Inlet valve                              | 121-001A  |
| Indicator valve                          | 125-002B  |
| Intermediate gear for camshaft           | 131-002B  |
| Injection pump                           | 165-0004P |
| Insulation box for exhaust manifold 6R32 | 205-012C  |
| Instrument panel                         | 516-003B  |
| Inlet pipe for water pump                | 604-017A  |

**L**

| Description                              | Section  |
|--|----------|
| Lubricating oil pump                     | 181-004D |
| Lubricating oil pipes                    | 352-015A |
| Lubricating oil to camshaft              | 352-026A |
| Lubricating oil pipes to valve mechanism | 352-033B |
| Lubricating oil pipes to injection pump  | 352-038E |
| Lubricating oil pipes                    | 352-068D |
| Lubricating oil piping                   | 352-071B |

|  |           |
|--|-----------|
| Leak fuel oil system, clean                  | 358-041B  |
| Leak oil pipes, dirty R32                    | 358-064A  |
| Leak oil pipes, alarm R32                    | 358-065B  |
| Lubricating oil filter                       | 471-003A  |
| Lubricating oil and circulating water cooler | 474-004C  |
| Limit switch for overload                    | 507-012A  |
| Lifting device for charge air cooler         | 846-0002A |

**M**

| Description                      | Section  |
|----------------------------------|----------|
| Main starting valve              | 217-003A |
| Mechanical overspeed trip device | 228-001B |

**O**

| Description | Section  |
|-------------|----------|
| Oil sump    | 100-006E |

**P**

| Description                                       | Section  |
|---|----------|
| Pump cover and end cover R32                      | 107-003B |
| Piston  | 113-010A |
| Piping for nozzle temperature control             | 120-006A |
| Pressure control valve for lubricating oil        | 181-005A |
| Prelubricating oil system                         | 352-051A |
| Prelubricating oil system                         | 352-067B |
| Pressure difference indicator for lube oil filter | 507-002B |
| Pressure sensors                                  | 507-008B |
| Pressure difference indicator                     | 507-020B |
| Pressure drop switch for fuel filter              | 507-067A |

**R**

| Description                     | Section  |
|---------------------------------|----------|
| Rocker arms and bearing bracket | 143-001B |
| Regulating mechanism R32        | 224-004C |
| Running-in filter               | 471-006B |

**S**

| Description                                | Section   |
|--|-----------|
| Starting valve                             | 123-001B  |
| Starting air distributor                   | 211-001B  |
| Stop lever and cover                       | 213-001A  |
| Starting blocking device                   | 214-0012B |
| Starting fuel limiter                      | 214-009B  |
| Spring loaded rod 4R32, 6R32               | 224-005B  |
| Speed measuring system                     | 231-001A  |
| Speed pick-ups                             | 231-002B  |
| Starting air system 6R32                   | 357-002B  |
| Starting air system                        | 357-013C  |
| Sealing set for hydraulic tightening tools | 900-0001A |

**T**

| Description                            | Section   |
|--|-----------|
| Turbocharger                           | 156-068A  |
| Thermostatic valve for lubricating oil | 183-001A  |
| Thermostatic valve                     | 196-008C  |
| Two-part rings for exhaust manifold    | 200-030B  |
| Two-part ring for exhaust manifold     | 200-032A  |
| TC pipe connections                    | 355-065A  |
| Turning device                         | 483-003B  |
| Temperature sensors for main bearings  | 506-005C  |
| Temperature transmitter                | 507-003A  |
| Thermometers                           | 511-003A  |
| Tools for cylinder liner               | 810-0001A |
| Tools for main bearings                | 810-0003A |
| Toolbox for oil mist detector          | 846-0001A |

**V**

| Description                   | Section  |
|-------------------------------|----------|
| Valve tappet with guide block | 145-002C |

**W**

| Description                | Section  |
|----------------------------|----------|
| Water pump                 | 191-003E |
| Water outlet valve         | 214-003A |
| Water pipes R32            | 354-024C |
| Water pipes from pump      | 355-042B |
| Washing device for turbine | 372-009B |

# 1. Wärtsilä spare parts

By ordering spare parts from Wärtsilä, you receive latest-technology parts that have undergone extensive laboratory and field tests. Also, you can be sure that the parts you purchase comply with the classification your Wärtsilä product has to fulfil.

This document gives you instructions on how to order spare parts so that you receive the right parts fast and accurately.





## 2. Ordering spare parts

### 2.1 Where to order

You can order Wärtsilä spare parts through our network of companies around the world or directly via Wärtsilä Spares Online or Eldoc.

For more information, contact us or go to [www.wartsila.com](http://www.wartsila.com).

### 2.2 Information needed in the order

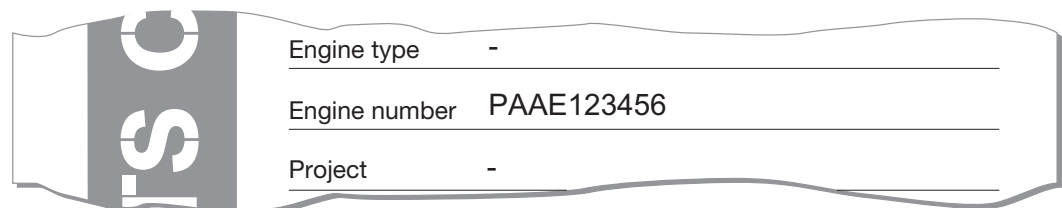
When ordering spare parts, include the following information in the order:

- Product type
- Product serial number(s)
- Spare part number
- Spare part description
- Spare part details (for example size or length)
- Quantity of parts
- Consignee
- Method of forwarding
- Purchaser

Spare parts are identified by the product type, product serial number and spare part number together, so make sure you give this information correctly in the order. You can find the spare part number, description and details in the spare parts catalogue sections.

#### 2.2.1 Use the right spare parts catalogue

The spare parts catalogue (SPC) is unique for each product or product series you have purchased from Wärtsilä. You can find the serial numbers of the products that the SPC is valid for on the front page of the SPC.



|               |            |
|---------------|------------|
| Engine type   | -          |
| Engine number | PAAE123456 |
| Project       | -          |

**Fig 2-1 Serial number**

To receive spare parts that are suitable for your product, make sure that you use the correct SPC and serial number when ordering spare parts.

## 2.2.2 Find the right spare part information

### Spare part catalogue sections

One spare parts catalogue (SPC) can be valid for a series of products. In that case, some sections in the SPC can be valid only for some of the products.

If there are multiple serial numbers on the SPC's front page, check from the table of contents which sections are valid for the product you are ordering spare parts for. In the table of contents, sections that are product-specific are marked with the product serial number in the "Valid for Products" column. If there are no serial numbers in that column, the section is valid for all the product serial numbers mentioned on the cover page of the spare part catalogue.

| 470 Lubricating oil pumps, thermostatic valves |  |                    |
|--|--|--------------------|
| Section  | Description                                | Valid for Products |
| 181-0006C                                      | Lubricating oil pump                       | PAAE215035         |
| 181-0008A                                      | Lubricating oil pump                       | PAAE215034         |
| 182-0008E                                      | Prelubricating oil pump                    |                    |
| 182-0011A                                      | Electric motor for prelubricating oil pump |                    |
| 182-0012E                                      | Prelubricating pump assembly               |                    |
| 182-0014A                                      | Turning tool for prelubricating pump       |                    |
| 183-0009B                                      | Thermostatic valve for lubricating oil     |                    |

**Fig 2-2 Table of contents**

### Spare part information in the sections

The sections contain illustrations, tables and spare parts lists with small illustrations of the parts and unit or assembly locations.

The spare parts list contains spare part numbers (Part No), part descriptions (Description) and quantity (Qty). The quantity does not indicate the total number used in your product but the number found in the displayed unit or assembly.

Spare part numbers can be arranged in layers. This means that you can have a complete spare part number that includes other parts that are available separately.

WÄRTSILÄ 32 Spare Parts List 167-0022  
Edition: A  
Page: 114  
Updated: 28.10.2011

**Injection valve**

| Part No. | Description     | Qty [Pcs] | Wt. [Kg] | Part No. | Description | Qty [Pcs] | Wt. [Kg] |
|----------|-----------------|-----------|----------|----------|-------------|-----------|----------|
| 167 005  | Injection valve | 1         | -        |          |             |           |          |
| 167 020  | Nozzle          | 1         | 0.5      |          |             |           |          |
| 167 046  | Nozzle holder   | 1         | 7.0      |          |             |           |          |
| 167 011  | O-ring          | 1         | -        |          |             |           |          |
| 167 047  | O-ring          | 1         | -        |          |             |           |          |
| 167 048  | O-ring          | 1         | -        |          |             |           |          |

| Part No. | Description     | Qty [Pcs] | Wt. [Kg] | Part No. |
|----------|-----------------|-----------|----------|----------|
| 167 005  | Injection valve | 1         | -        |          |
| 167 020  | Nozzle          | 1         | 0.5      |          |
| 167 046  | Nozzle holder   | 1         | 7.0      |          |
| 167 011  | O-ring          | 1         | -        |          |
| 167 047  | O-ring          | 1         | -        |          |
| 167 048  | O-ring          | 1         | -        |          |

**Fig 2-3 Spare part numbers**

As shown in the figure, the spare part number 167 005 is for the complete injection valve inside the red rectangle. When ordering the complete injection valve 167 005, the spare parts 167 046 and 167 020 are included but you can also order them separately.

The parts numbers 167 011, 167 047 and 167 048 outside the red rectangle are not included when ordering the complete injection valve 167 005 or the spare parts 167 046 and 167 020.

#### NOTE



If the spare part section contains a note with additional information such as the length or size of the part, include this information in the order.



### 3. Spare parts identification

Wärtsilä marks the spare parts they deliver with details that help you identify which part goes to which product. This is useful especially if you have several Wärtsilä products of the same type but belonging to different series, design or generation and when you keep stock of the spare parts.

The spare parts identification information includes:

- Spare part name (Description)
- Spare part number (Code no.)
- Extended part number (EPN)
- Order number (Order no.)
- Product serial numbers (Engine type/no.)
- Quantity of the parts ordered (Quantity)


|                       |             |        |          |  |                 |
|-----------------------|-------------|--------|----------|--|-----------------|
| <b>ORIGINAL PARTS</b> | DESCRIPTION |        | LINE     | 0740   | <b>WÄRTSILÄ</b> |
|                       | O-RING      |        |          |  |                 |
|                       | CODE NO.    | EPN    | PART NO. |  |                 |
|                       | 123 456     | 0001   |          |  |                 |
|                       | ORDER NO.   | ORIGIN |          | QUANTITY   |                 |
| 3590088               | FI          |        | 54       |  |                 |
| ENGINE TYPE/NO.       |             |        |          |  |                 |
| W18V50/PAAE072645     |             |        |          |  |                 |

Fig 3-1 Spare parts slip

#### Serial number

The serial numbers show which Wärtsilä products the part is compatible with.

#### Spare part number

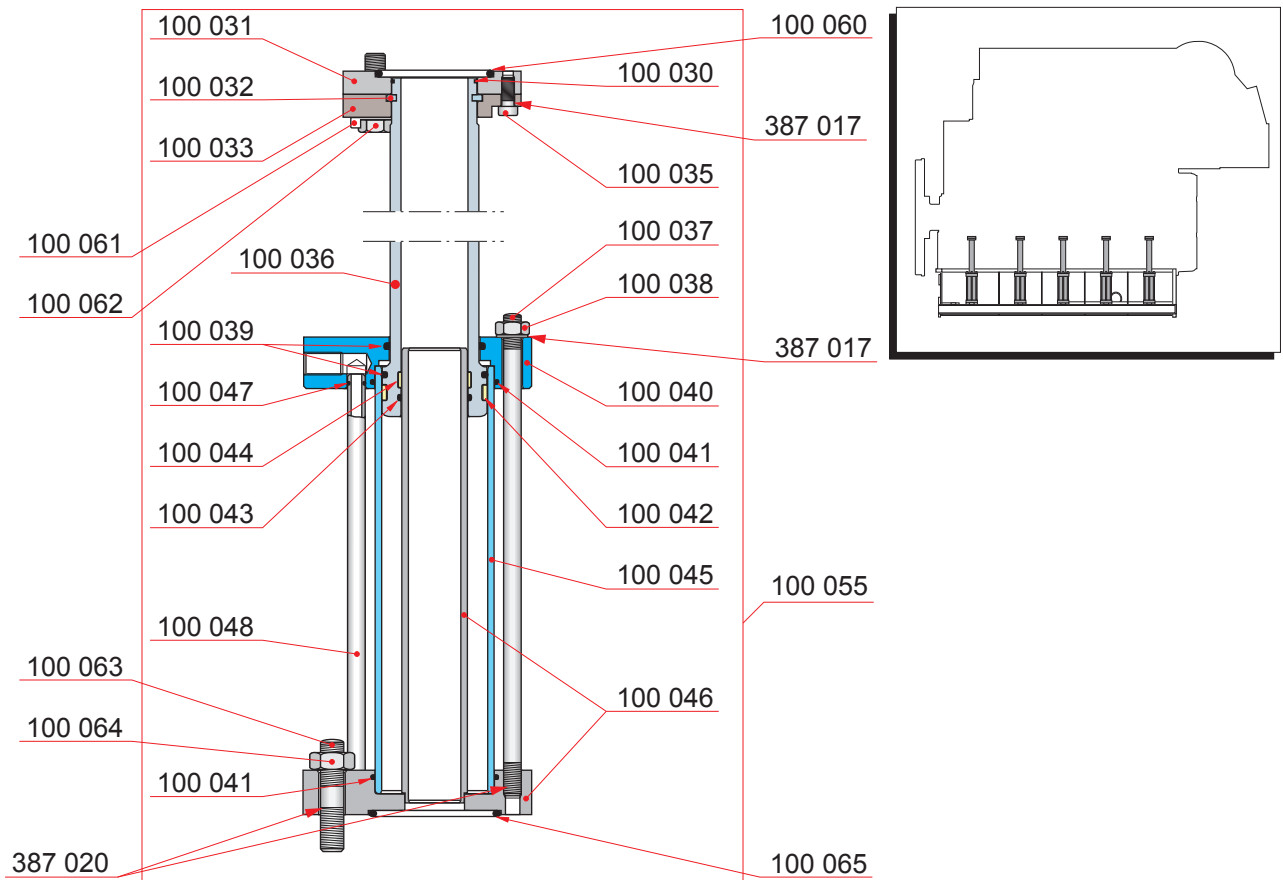
The spare part number identifies the type of the part and its location in the system.

#### Extended part number

The extended part numbers help you differentiate parts from each other if you have multiple Wärtsilä products that have similar parts with the same spare part code but are different in design or generation. This also includes situations where you have made modifications to Wärtsilä products that were originally identical.



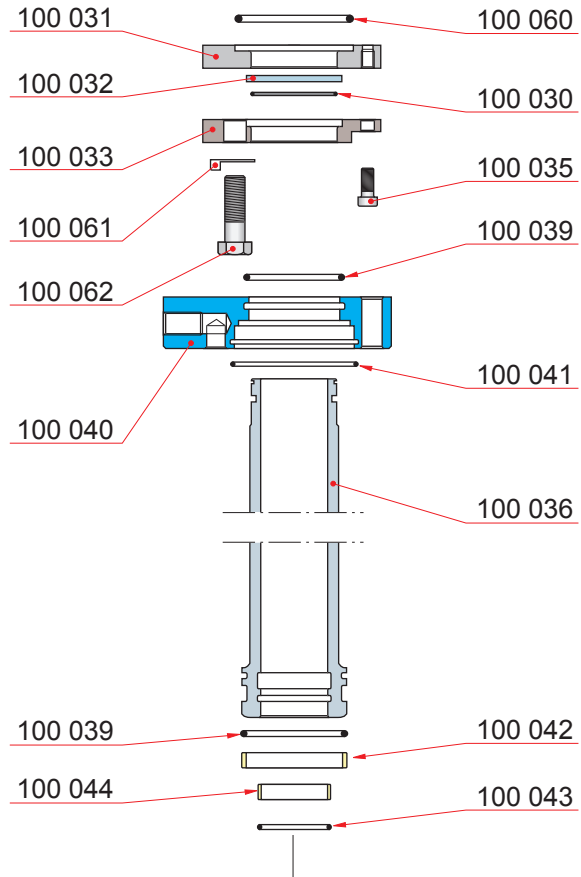
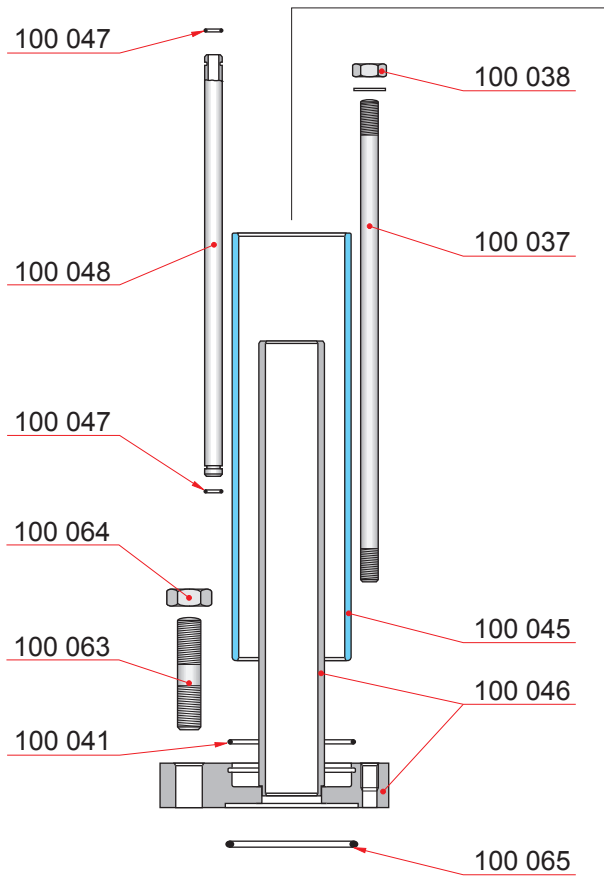
### Hydraulic jack for main bearing cap



| Part No. | Description                         | Qty [Pcs] | Wt. [Kg] | Part No. | Description                                 | Qty [Pcs] | Wt. [Kg] |
|----------|-------------------------------------|-----------|----------|----------|---|-----------|----------|
| 100 055  | Hydraulic jack for main bearing cap | *         | -        | 100 065  | O-ring                                      | *         | -        |
| 100 030  | O-ring                              | 1         | -        | 387 017  | Glue compound                               | 1         | -        |
| 100 031  | Flange                              | 1         | -        | 387 020  | Glue compound                               | 1         | -        |
| 100 032  | Retainer ring                       | 1         | -        | NOTE!    | *) See table(s) at the end of this section. |           |          |
| 100 033  | Flange                              | 1         | -        |          |   |           |          |
| 100 035  | Screw                               | 1         | -        |          |   |           |          |
| 100 036  | Piston                              | 1         | -        |          |   |           |          |
| 100 037  | Screw                               | 4         | -        |          |   |           |          |
| 100 038  | Nut                                 | 4         | -        |          |   |           |          |
| 100 039  | O-ring                              | 2         | -        |          |   |           |          |
| 100 040  | Flange                              | 1         | -        |          |   |           |          |
| 100 041  | O-ring                              | 2         | -        |          |   |           |          |
| 100 042  | Slide ring                          | 1         | -        |          |   |           |          |
| 100 043  | O-ring                              | 1         | -        |          |   |           |          |
| 100 044  | Slide ring                          | 1         | -        |          |   |           |          |
| 100 045  | Cylinder                            | 1         | -        |          |   |           |          |
| 100 046  | Pipe                                | 1         | -        |          |   |           |          |
| 100 047  | O-ring                              | 2         | -        |          |   |           |          |
| 100 048  | Pipe                                | 1         | -        |          |   |           |          |
| 100 050  | Sealing set                         | 1         | -        |          |   |           |          |
| 100 060  | O-ring                              | *         | -        |          |   |           |          |
| 100 061  | Tab washer                          | *         | -        |          |   |           |          |
| 100 062  | Screw                               | *         | -        |          |   |           |          |
| 100 063  | Screw                               | *         | -        |          |   |           |          |
| 100 064  | Nut                                 | *         | -        |          |   |           |          |

Edition: B  
 Page: 2(4)  
 Updated: 02.03.2004

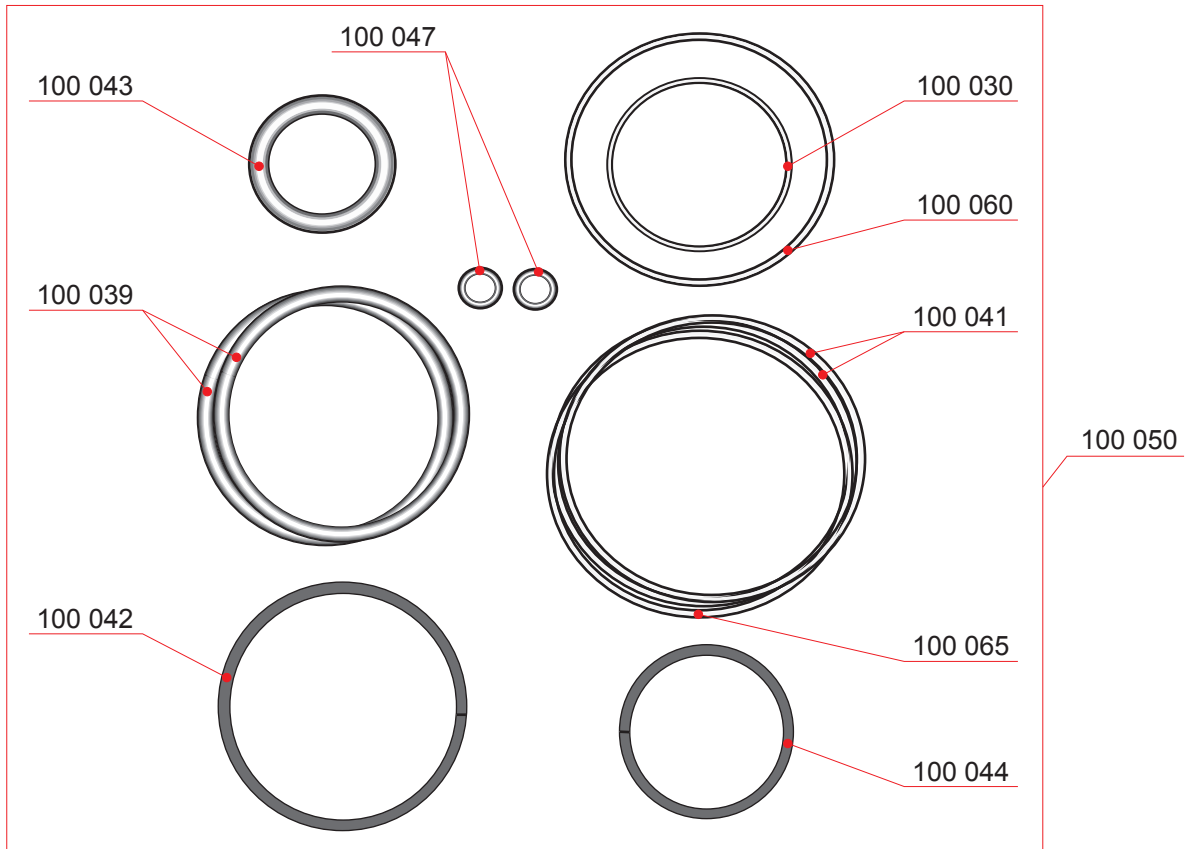
### Hydraulic jack for main bearing cap



| Part No. | Description   | Qty [Pcs] | Wt. [Kg] | Part No. | Description                                 | Qty [Pcs] | Wt. [Kg] |
|----------|---------------|-----------|----------|----------|---|-----------|----------|
| 100 030  | O-ring        | 1         | -        | 100 065  | O-ring                                      | *         | -        |
| 100 031  | Flange        | 1         | -        | NOTE!    | *) See table(s) at the end of this section. |           |          |
| 100 032  | Retainer ring | 1         | -        |          |   |           |          |
| 100 033  | Flange        | 1         | -        |          |   |           |          |
| 100 035  | Screw         | 1         | -        |          |   |           |          |
| 100 036  | Piston        | 1         | -        |          |   |           |          |
| 100 037  | Screw         | 4         | -        |          |   |           |          |
| 100 038  | Nut           | 4         | -        |          |   |           |          |
| 100 039  | O-ring        | 2         | -        |          |   |           |          |
| 100 040  | Flange        | 1         | -        |          |   |           |          |
| 100 041  | O-ring        | 2         | -        |          |   |           |          |
| 100 042  | Slide ring    | 1         | -        |          |   |           |          |
| 100 043  | O-ring        | 1         | -        |          |   |           |          |
| 100 044  | Slide ring    | 1         | -        |          |   |           |          |
| 100 045  | Cylinder      | 1         | -        |          |   |           |          |
| 100 046  | Pipe          | 1         | -        |          |   |           |          |
| 100 047  | O-ring        | 2         | -        |          |   |           |          |
| 100 048  | Pipe          | 1         | -        |          |   |           |          |
| 100 060  | O-ring        | *         | -        |          |   |           |          |
| 100 061  | Tab washer    | *         | -        |          |   |           |          |
| 100 062  | Screw         | *         | -        |          |   |           |          |
| 100 063  | Screw         | *         | -        |          |   |           |          |
| 100 064  | Nut           | *         | -        |          |   |           |          |



### Hydraulic jack for main bearing cap



| Part No. | Description | Qty<br>[Pcs] | Wt.<br>[Kg] |
|----------|-------------|--------------|-------------|
| 100 050  | Sealing set | 1            | -           |
| 100 030  | O-ring      | 1            | -           |
| 100 039  | O-ring      | 2            | -           |
| 100 041  | O-ring      | 2            | -           |
| 100 042  | Slide ring  | 1            | -           |
| 100 043  | O-ring      | 1            | -           |
| 100 044  | Slide ring  | 1            | -           |
| 100 047  | O-ring      | 2            | -           |
| 100 060  | O-ring      | 1            | -           |
| 100 065  | O-ring      | 10           | -           |

Edition: B

Page: 4(4)

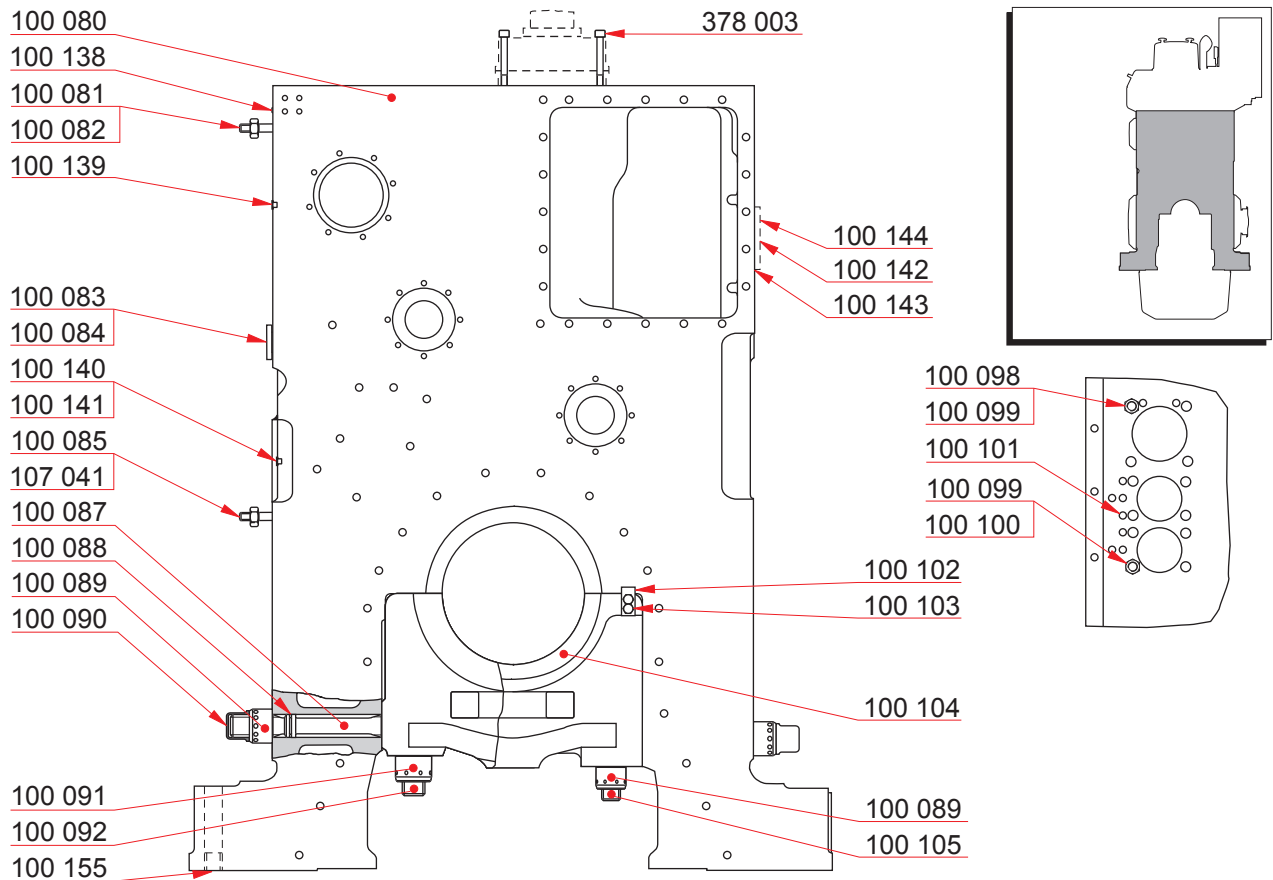
Updated: 02.03.2004

**Hydraulic jack for main bearing cap**

Quantity according to number of cylinders

| Part No | Pieces |      |      |      |       |       |       |
|---------|--------|------|------|------|-------|-------|-------|
|         | 4R32   | 6R32 | 8R32 | 9R32 | 12V32 | 16V32 | 18V32 |
| 100 055 | 6      | 8    | 10   | 11   | 8     | 10    | 11    |
| 100 060 | 5      | 7    | 9    | 10   | 7     | 9     | 10    |
| 100 061 | 24     | 32   | 40   | 44   | 32    | 40    | 44    |
| 100 062 | 24     | 32   | 40   | 44   | 32    | 40    | 44    |
| 100 063 | 24     | 32   | 40   | 44   | 32    | 40    | 44    |
| 100 064 | 24     | 32   | 40   | 44   | 32    | 40    | 44    |
| 100 065 | 5      | 7    | 9    | 10   | 7     | 9     | 10    |

### Engine block R32



| Part No. | Description        | Qty [Pcs] | Wt. [Kg] | Part No. | Description    | Qty [Pcs] | Wt. [Kg] |
|----------|--------------------|-----------|----------|----------|----------------|-----------|----------|
| 100 080  | Engine block       | 1         | -        | 100 143  | Gasket         | 1         | -        |
| 100 083  | Plug               | *         | 0.5      | 100 144  | Screw          | 4         | -        |
| 100 084  | Sealing ring       | *         | -        | 100 155  | Thread element | *         | -        |
| 100 087  | Side screw         | *         | 2.6      | 107 041  | Nut            | *         | -        |
| 100 088  | O-ring             | *         | -        | 378 003  | Screw          | 4         | 0.1      |
| 100 091  | Nut                | *         | 1.5      |          |                |           |          |
| 100 092  | Main bearing screw | *         | 8.5      |          |                |           |          |
| 100 102  | Guiding washer     | 4         | 0.2      | NOTE!    | * See page 3   |           |          |
| 100 103  | Screw              | 8         | -        |          |                |           |          |
| 100 104  | Pin                | 4         | -        |          |                |           |          |
| 100 105  | Screw              | 2         | 4.5      |          |                |           |          |
| 100 081  | Screw              | *         | -        |          |                |           |          |
| 100 082  | Nut                | *         | -        |          |                |           |          |
| 100 085  | Screw              | *         | 0.2      |          |                |           |          |
| 100 089  | Nut                | *         | 0.7      |          |                |           |          |
| 100 090  | Cover              | *         | 0.2      |          |                |           |          |
| 100 098  | Screw              | *         | 0.2      |          |                |           |          |
| 100 099  | Nut                | *         | -        |          |                |           |          |
| 100 100  | Screw              | *         | 0.2      |          |                |           |          |
| 100 101  | Spring pin         | *         | -        |          |                |           |          |
| 100 138  | Plug               | *         | -        |          |                |           |          |
| 100 139  | Plug               | 1         | -        |          |                |           |          |
| 100 140  | Plug               | 1         | -        |          |                |           |          |
| 100 141  | Sealing ring       | 1         | -        |          |                |           |          |
| 100 142  | Cover              | 1         | 1.2      |          |                |           |          |