



# Parts Manual

---

**950K Wheel Loader, Powered By C7.1 Engine**

---

**S/N: R4A02618**

---

*Use the bookmarks for navigation inside of the catalog*

## 950K WHEEL LOADER R4A02618

### MACHINE ARRANGEMENT

314-9192 - CHASSIS AR

314-9192 CHASSIS AR

S/N R4A1-UP

PART OF 314-9191 COMMON AR 01/11/2016

314-9191 - COMMON AR (R4A02618) (As Shipped)

314-9191 COMMON AR

S/N R4A1-UP 01/11/2016

351-9320 - CONVERSION AR-MACHINE (R4A02618) (As Shipped)

351-9320 CONVERSION AR-MACHINE

S/N R4A1-UP

PART OF 381-8021, 381-8022, 381-8023, 385-7347, 385-7348, 385-7349, 418-7785, 437-2503

DISTRIBUTION AR 01/11/2016

363-1321 - OPTION AR-CAB (R4A02618) (As Shipped)

363-1321 OPTION AR-CAB

S/N R4A1-UP

PART OF 424-8907, 424-8908, 424-8909, 424-8910, 445-8887, 445-8888, 445-8889, 445-8890, 452-

6682, 452-6683 DISTRIBUTION AR 01/11/2016

359-9918 - OPTION AR-CONVERSION (R4A02618) (As Shipped)

359-9918 OPTION AR-CONVERSION -POWER

S/N R4A1-UP

PART OF 381-8022, 385-7348, 437-2503 DISTRIBUTION AR

CANNOT BE USED WITH 357-1255, 360-8826, 357-1253 AXLE AR-FIXED & OSCILLATING, 357-1254

AXLE AR-FIXED & OSCILLATING, 359-9919 OPTION AR-CONVERSION 01/11/2016

328-8725 - OPTION AR-LIGHTING (R4A02618) (As Shipped)

328-8725 OPTION AR-LIGHTING

S/N R4A1-UP

PART OF 424-8907, 424-8908, 424-8909, 424-8910, 445-8887, 445-8888, 445-8889, 445-8890, 452-

6682, 452-6683 DISTRIBUTION AR 01/11/2016

358-3093 - OPTION AR-MACHINE

358-3093 OPTION AR-MACHINE

S/N R4A1-UP

PART OF 351-9320 CONVERSION AR-MACHINE 01/11/2016

### ENGINE ARRANGEMENT

328-1575 - ENGINE AR-PRIMARY

328-1575 ENGINE AR-PRIMARY

S/N C7R1-UP

155 BRAKE KW (207 BHP) AT 2200 RPM

PART OF 314-9191 COMMON AR 01/11/2016

328-1598 - ENGINE AR-PRIMARY  
328-1598 ENGINE AR-PRIMARY  
S/N C7R1-UP  
172 BRAKE KW (230 BHP) AT 2200 RPM  
PART OF 359-9918, 359-9919 OPTION AR-CONVERSION 01/11/2016

446-5399 - ENGINE AR-PRIMARY  
446-5399 ENGINE AR-PRIMARY  
S/N C7R1-UP  
163 BRAKE KW (218 BHP) AT 2200 RPM  
PART OF 314-9191 COMMON AR 01/11/2016

314-9198 - INSTALLATION AR-ENGINE  
314-9198 INSTALLATION AR-ENGINE  
S/N R4A1-UP  
PART OF 314-9191 COMMON AR 01/11/2016

### **BASIC ENGINE**

350-5687 - BELT TENSIONER GP  
350-5687 BELT TENSIONER GP  
S/N C7R1-UP  
PART OF 328-1598, 446-5399 ENGINE AR-PRIMARY 01/11/2016

340-0140 - CAMSHAFT GP  
340-0140 CAMSHAFT GP  
S/N C7R1-UP  
PART OF 328-1575, 328-1598, 446-5399 ENGINE AR-PRIMARY 01/11/2016

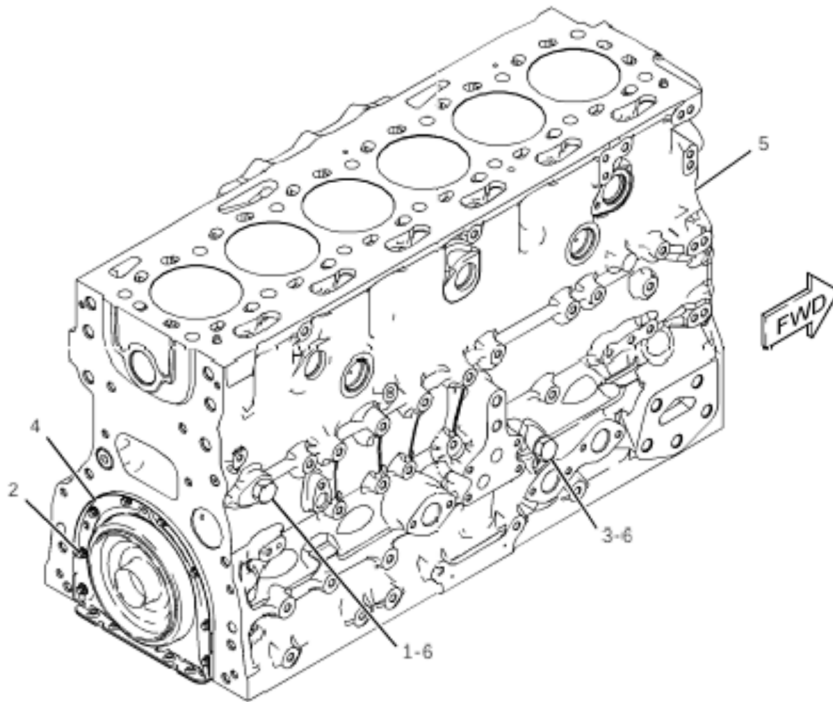
321-8243 - COVER GP-ACCESSORY DRIVE  
321-8243 COVER GP-ACCESSORY DRIVE  
S/N C7R1-UP  
PART OF 328-1575, 328-1598, 446-5399 ENGINE AR-PRIMARY 01/11/2016

359-1701 - COVER GP-VALVE MECHANISM  
359-1701 COVER GP-VALVE MECHANISM  
S/N C7R1-UP  
PART OF 328-1575, 328-1598, 446-5399 ENGINE AR-PRIMARY 01/11/2016

346-4745 - CRANKSHAFT GP  
346-4745 CRANKSHAFT GP  
S/N C7R1-UP  
PART OF 328-1575, 328-1598, 446-5399 ENGINE AR-PRIMARY 01/11/2016

363-7645 - CYLINDER BLOCK AS  
363-7645 CYLINDER BLOCK AS  
S/N C7R1-UP  
PART OF 351-8921 CYLINDER BLOCK GP 01/11/2016

351-8921 - CYLINDER BLOCK GP



GRAPHIC #1  
g02382336

**950K Wheel Loader, Powered By C7.1 Engine**

Media Number - SEBP5720-35 | Publication Date - 01/11/2016 | Date  
Updated - 29/11/2016

i04172732

**351-8921 CYLINDER BLOCK GP**

S/N C7R1-UP

PART OF 328-1575, 328-1598, 446-5399 ENGINE AR-PRIMARY

**ENTIRE GROUP**

Ref. Qty.	NPR Note	Part No.	Part Name
Grp	<a href="#">NPR</a>	351-8921	CYLINDER BLOCK GP

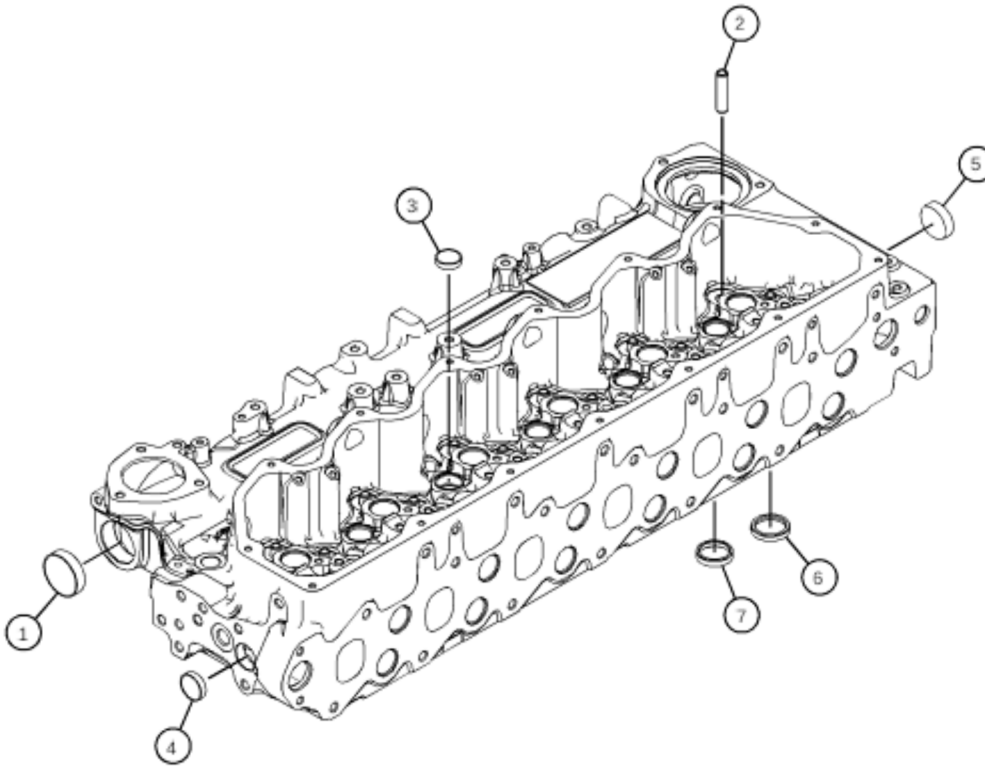
**INDIVIDUAL PARTS**

Ref. Qty.	NPR Note	Part No.	Req. Qty.	Part Name
1	<a href="#">NPR</a>	199-9751	1	SEAL-O-RING
2	<a href="#">NPR M</a>	209-9219	8	BOLT (M8X1.25X16-MM)
3	<a href="#">NPR</a>	276-5603	1	SEAL-O-RING
4	<a href="#">NPR</a>	292-0886	1	HOUSING-REAR (INCLUDES SEAL)
5	<a href="#">NPR Y</a>	<a href="#">363-7645</a>	1	CYLINDER BLOCK AS
6	<a href="#">NPR</a>	232-1322	2	PLUG

Key:

M - METRIC PART  
Y - SEPARATE ILLUSTRATION

<b>SMCS Codes</b>		
1201		



GRAPHIC #1  
g03840703

**950K Wheel Loader, Powered By C7.1 Engine**

Media Number - SEBP5720-35 | Publication Date - 01/11/2016 | Date  
Updated - 29/11/2016

i06707125

**389-0955 CYLINDER HEAD AS**  
**S/N C7R1-UP**  
**LOW POWER**  
**PART OF 389-1346 CYLINDER HEAD GP**

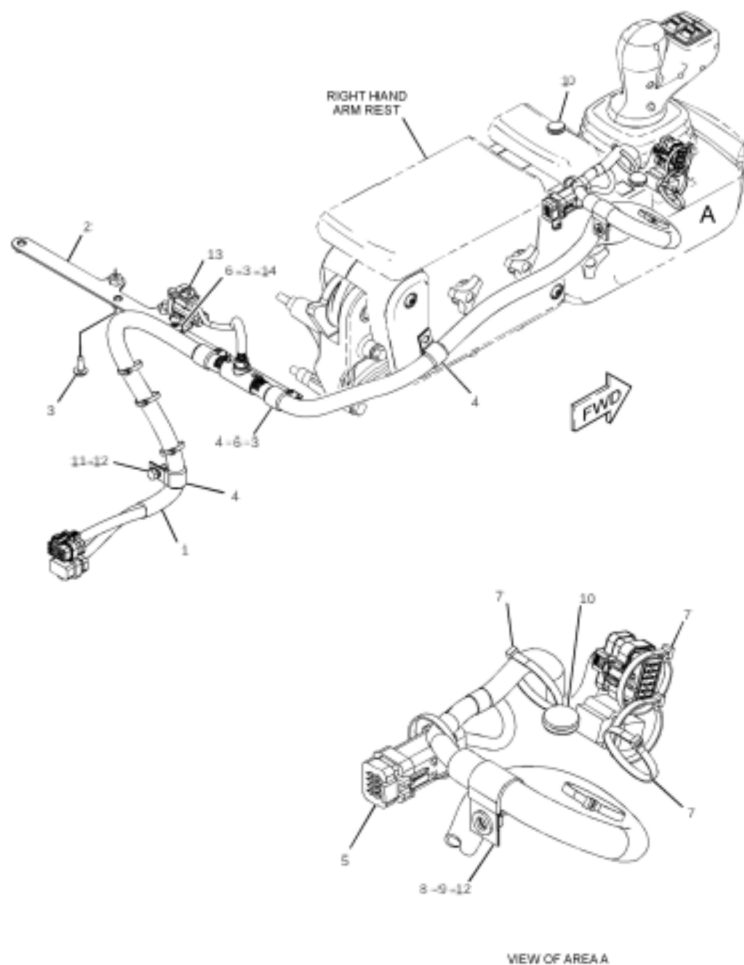
**ENTIRE GROUP**

Ref. Qty.	NPR Note	Part No.	Part Name
Grp	<a href="#">NPR</a>	389-0955	CYLINDER HEAD AS

**INDIVIDUAL PARTS**

Ref. Qty.	NPR Note	Part No.	Req. Qty.	Part Name
1	<a href="#">NPR</a>	331-7807	3	PLUG
2	<a href="#">NPR</a>	356-9640	24	GUIDE-VALVE
3	<a href="#">NPR</a>	276-8117	6	PLUG-CORE
4	<a href="#">NPR</a>	188-5102	13	PLUG
5	<a href="#">NPR</a>	298-4528	1	PLUG-CORE
6	<a href="#">NPR</a>	322-4120	12	INSERT-VALVE SEAT (INLET)
7	<a href="#">NPR</a>	343-5964	12	INSERT-VALVE SEAT (EXHAUST)

<b>SMCS Codes</b>		
1100	1101	



GRAPHIC #1  
g03667144

**950K Wheel Loader, Powered By C7.1 Engine**

Media Number - SEBP5720-35 | Publication Date - 01/11/2016 | Date Updated - 29/11/2016

i05381305

**361-6293 WIRING GP-CONTROL -JOYSTICK**

S/N R4A1-UP

PART OF 330-3857, 330-3859, 365-0071, 365-0073, 445-7882, 445-7883 CONTROL & MTG GP-ELHYD

**ENTIRE GROUP**

Ref. Qty.	NPR Note	Part No.	Part Name
Grp	<u>NPR</u>	361-6293	WIRING GP-CONTROL -JOYSTICK

**INDIVIDUAL PARTS**

Ref. Qty.	NPR Note	Part No.	Req. Qty.	Part Name
1	<u>NPR</u> Y	<u>293-0278</u>	1	HARNES AS-OPERATOR CONTROLS
2	<u>NPR</u>	346-1069	1	PLATE AS
3	<u>NPR</u> M	127-2170	5	SCREW-TRUSS HEAD (M8X1.25X20-MM)
4	<u>NPR</u>	1S-0994	4	CLIP (LOOP)
5	<u>NPR</u>	231-2295	1	PLUG AS-CONNECTOR (8-PIN)
	<u>NPR</u>	264-7033	1	SEAL-CONNECTOR

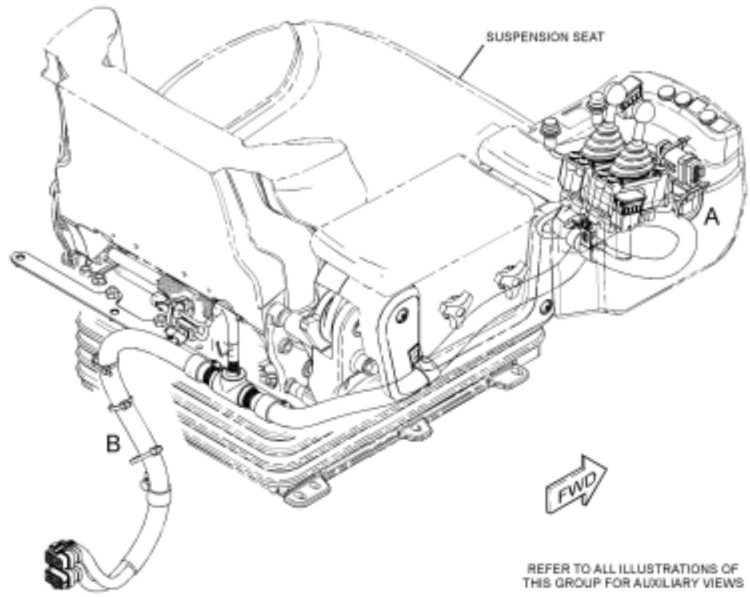


6	<a href="#">NPR</a>	3E-4352	3	WASHER-HARD (8.8X20.5X2.5-MM THK)
7	<a href="#">NPR</a>	3S-2093	9	STRAP-CABLE
8	<a href="#">NPR</a>	3S-8664	1	CLIP
9	<a href="#">NPR</a> M	5C-7261	1	NUT (M8X1.25-THD)
10	<a href="#">NPR</a>	8R-3695	2	GROMMET
11	<a href="#">NPR</a> M	8T-4189	1	BOLT (M8X1.25X20-MM)
12	<a href="#">NPR</a>	8T-4224	3	WASHER-HARD (8.8X16X2-MM THK)
13	<a href="#">NPR</a>	7K-1181	1	STRAP-CABLE
14	<a href="#">NPR</a>	4P-8134	1	CLIP (LADDER)

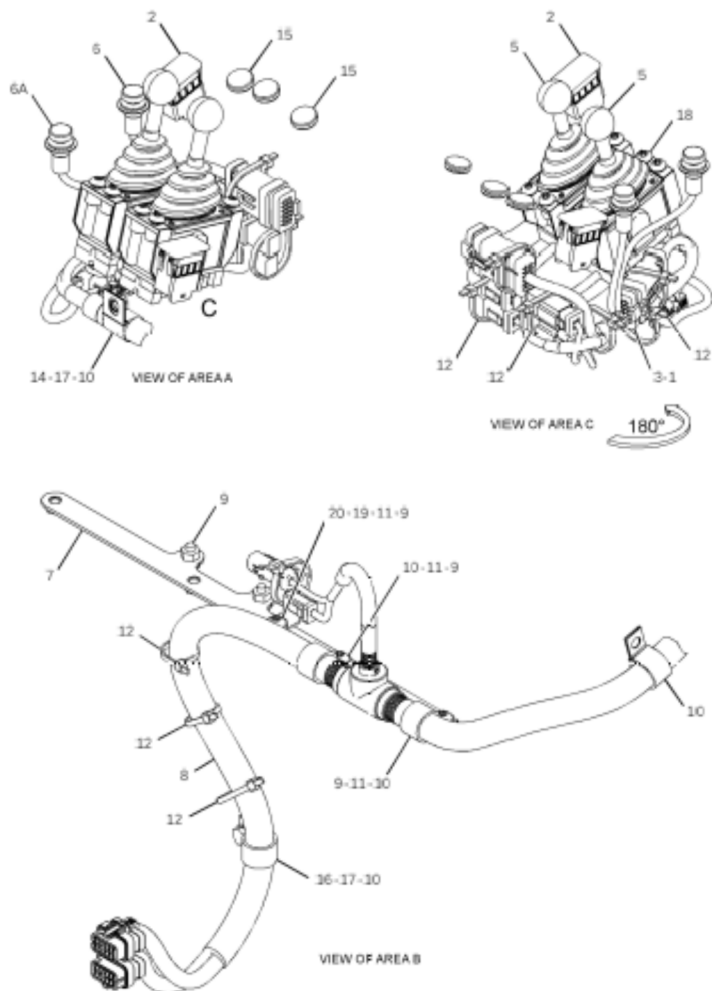
Key:

M - METRIC PART  
 Y - SEPARATE ILLUSTRATION

SMCS Codes		
1408		



GRAPHIC #1  
g03430992



GRAPHIC #2  
g03430993

**950K Wheel Loader, Powered By C7.1 Engine**  
**Media Number - SEBP5720-35 | Publication Date - 01/11/2016 | Date**  
**Updated - 29/11/2016**

i05373704

**361-6292 WIRING GP-ELECTROHYDRAULIC**  
**S/N R4A1-UP**  
**PART OF 330-3854, 330-3855, 344-3968, 344-3969, 344-3970, 390-0295, 390-0296**  
**CONTROL & MTG GP-ELHYD**  
**Type 1**

**ENTIRE GROUP**

Ref. Qty.	NPR Note	Part No.	Part Name
Grp	<u>NPR</u>	361-6292	WIRING GP-ELECTROHYDRAULIC

**INDIVIDUAL PARTS**

Ref. Qty.	NPR Note	GR#	Part No.	Req. Qty.	Part Name
1	<u>NPR</u>	2	8T-8737	18	PLUG-SEAL
2	<u>NPR</u>	2	228-6089	2	PLUG (ROCKER SWITCH)
3	<u>NPR</u>	2	230-4009	2	PLUG AS-CONNECTOR (12-PIN) (EACH INCLUDES)
	<u>NPR</u>	2	264-7034	1	SEAL-CONNECTOR
5	<u>NPR Y</u>	2	<u>307-4671</u>	2	CONTROL GP-HANDLE (PILOT CONTROL)
6	<u>NPR</u>	2	332-2155	1	SWITCH AS-PUSH BUTTON (DOWNSHIFT)

6A	<u>NPR</u>	2	332-2155	1	SWITCH AS-PUSH BUTTON (HORN) (EACH SWITCH AS INCLUDES)
	<u>NPR</u>	2	6F-0253	1	LOCKWASHER
	<u>NPR</u>	2	9X-3402	3	SOCKET-CONNECTOR (16-GA TO 18-GA) -OR- SOCKET-CONNECTOR (14-GA TO 16-GA)
	<u>NPR</u>	2	126-1768	3	
	<u>NPR</u>	2	172-3511	1	NUT (5/8-24-THD)
7	<u>NPR</u>	2	346-1069	1	PLATE AS
8	<u>NPR</u> Y	2	<u>391-4959</u>	1	HARNESS AS-CONTROL (ELECTROHYDRAULIC CONTROL POD)
9	<u>NPR</u> CM	2	127-2170	5	SCREW-TRUSS HEAD (M8X1.25X20-MM)
10	<u>NPR</u>	2	7C-4354	5	CLIP
11	<u>NPR</u>	2	3E-4352	3	WASHER-HARD (8.8X20.5X2.5-MM THK)
12	<u>NPR</u> C	2	3S-2093	9	STRAP-CABLE
14	<u>NPR</u> CM	2	5C-7261	1	NUT (M8X1.25-THD)
15	<u>NPR</u>	2	8R-3695	3	GROMMET
16	<u>NPR</u> M	2	8T-4908	1	BOLT (M8X1.25X25-MM)
17	<u>NPR</u> C	2	8T-4224	2	WASHER-HARD (8.8X16X2-MM THK)
18	<u>NPR</u> M	2	9X-2045	8	SCREW-TRUSS HEAD (M6X1X20-MM)
19	<u>NPR</u> C	2	4P-8134	1	CLIP
20	<u>NPR</u> C	2	7K-1181	1	STRAP-CABLE

Key:

- C - CHANGE FROM PREVIOUS TYPE
- M - METRIC PART
- Y - SEPARATE ILLUSTRATION

SMCS Codes		
5734		