

PARTS CATALOG

Fork Lift
35L-7/40L-7/45L-7

Use the bookmarks for navigation inside the Parts book

Tech. Library <https://engine.od.ua>

HYUNDAI

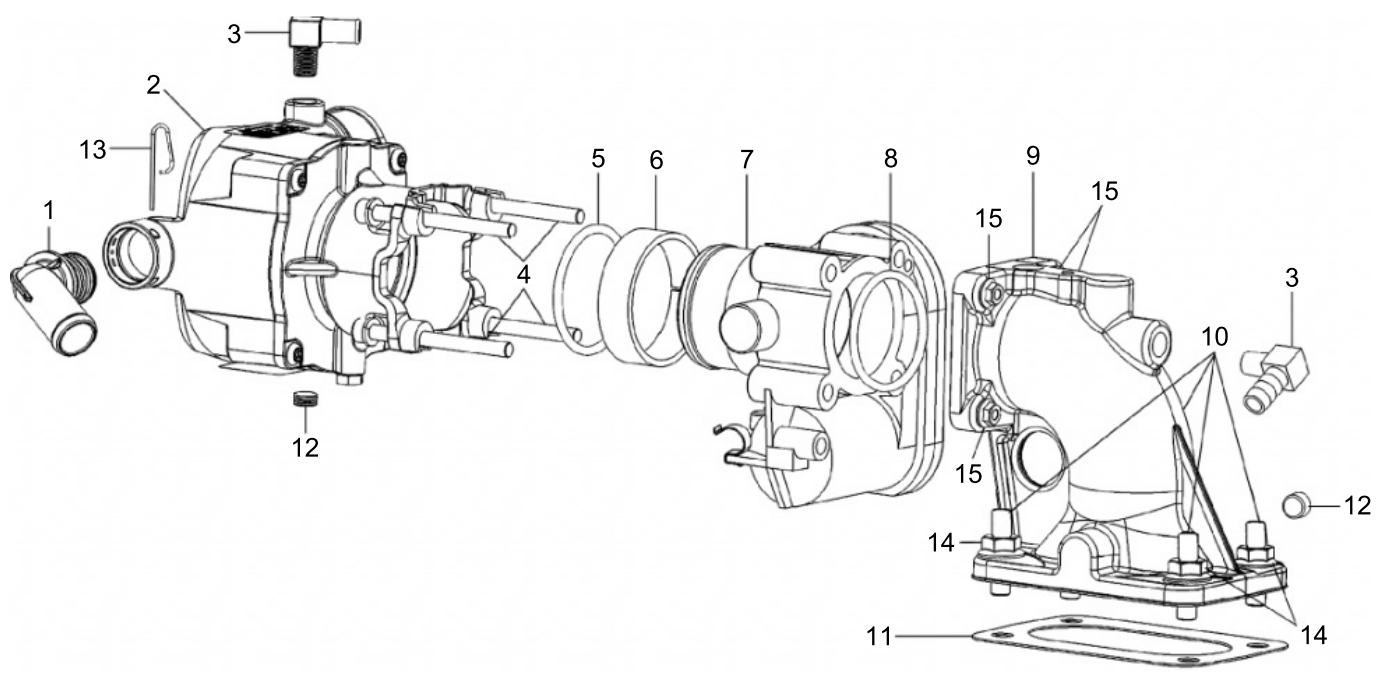
Fork Lift 35L-7, 40L-7, 45L-7

Page	Contents	Serial_No	Revision_No
1	ENGINE SYSTEM		
1010	ENGINE MOUNTING		2008.10.30 REV.8K
1020	AIR INTAKE SYSTEM		
1030	EXHAUST SYSTEM(HORIZONTAL)		2008.10.30 REV.8K
1040	COOLING SYSTEM		
1050	FUEL SYSTEM		2008.10.30 REV.8K
1051	CLAMP ASSY		
1060	HEATER (OPTION)		
1A10	MIXER THROTTLE BODY ASSY		
1A20	EPR ASSY		
1A30	REGULATOR REPAIR		
1A40	COOLANT/VAC/FUEL HOSE ASSY		
1A50	IGNITION MODULE/COIL & HARDWARE		
1A60	INTAKE MANIFOLD		
1A70	EXHAUST MANIFOLD		
1A80	ENGINE CONTROL MODULE		
1A90	SENSORS		
1A91	DISTRIBUTOR		
1A92	WIRE HARNESS/ENG ELEC I		
1A93	WIRE HARNESS/ENG ELEC II		
1A94	WIRE HARNESS/ENG ELEC III/FUSE BOX		
1A95	EXHAUST SYSTEM		
2	ELECTRIC SYSTEM		
2010	ELECTRIC 1		
2020	ELECTRIC 2		2009.12.31 REV.9M
2030	ELECTRIC 3		
2035	DASHBOARD ELEC SUB		2010. 3.31 REV.10C
2040	DASHBOARD HARNESS		
2050	FRAME HARNESS		
2060	OVER HEAD GUARD ELEC SUB		
3	HYDRAULIC SYSTEM		
3010	2-SPOOL CONTROL VALVE LEVER		
3020	3-SPOOL CONTROL VALVE LEVER		
3030	4-SPOOL CONTROL VALVE LEVER		
3040	5-SPOOL CONTROL VALVE LEVER		
3050	MAIN HYDRAULIC PIPING		2010. 6.30 REV.10F
3060	TILT HYDRAULIC PIPING		
3070	STEERING HYDRAULIC PIPING		
3075	STEERING SUB ASSY		
3080	BRAKE PIPING		2010. 6.30 REV.10F
3090	T/M COOLING SYSTEM		
3100	HYDRAULIC OIL TANK		
3A10	HYDRAULIC PUMP		
3A20	MCV(2-SPOOL, TRAVEL WITH MAST OPSS)		
3A25	MCV(2-SPOOL, WITHOUT, TRAVEL OPSS)		
3A30	MCV(3-SPOOL, TRAVEL WITH MAST OPSS)		
3A35	MCV(3-SPOOL, WITHOUT, TRAVEL OPSS)		
3A40	MCV(4-SPOOL, TRAVEL WITH MAST OPSS)		
3A45	MCV(4-SPOOL, WITHOUT, TRAVEL OPSS)		
3A50	MCV(5-SPOOL, TRAVEL WITH MAST OPSS)		
3A55	MCV(5-SPOOL, WITHOUT, TRAVEL OPSS)		
3A60	STEERING UNIT		
3B10	TILT CYLINDER		
3B20	STEERING CYLINDER		
3B30	BRAKE VALVE		
3B40	PRIORITY VALVE		
4	POWER TRAIN SYSTEM		
4010	TRANSMISSION 1		2009. 7. 2 REV.9G
4020	TRANSMISSION 2		

4025	TRANSMISSION CONTROL VALVE		
4030	DRIVE AXLE 1		
4040	DRIVE AXLE 2		
4050	DRIVE AXLE 3		2009. 5.31 REV.9E
5	CONTROL SYSTEM		
5010	STEERING AXLE		2008. 9.30 REV.8J
5020	FRONT & REAR WHEEL(SINGLE)		
5025	FRONT & REAR WHEEL(DOUBLE)		
5030	STEERING COLUMN		
5040	BRAKE & INCHING PEDAL		2009. 6.11 REV.9F
5050	PARKING BRAKE		
6	STRUCTURE		
6010	FRAME		2010. 2.28. REV.10B
6020	OUTER PANEL 1		2010. 3.31 REV.10C
6030	OUTER PANEL 2		
6035	BODY SUB ASSY		
6040	OVER HEARD GUARD		
6041	OVER HEAD GUARD TOTAL SUB ASSY		2010. 3.31 REV.10C
6042	HEAD GUARD SUB ASSY		2010. 4.30 REV.10D
6100	COUNTERWEIGHT		
6200	CABIN GROUP		2010. 5.31 REV.10E
6210	CABIN TOTAL SUB ASSY		2010. 5.31 REV.10E
6220	CABIN (1/3)		2010. 5.31 REV.10E
6230	CABIN (2/3)		2010. 5.31 REV.10E
6240	CABIN (3/3)		2010. 5.31 REV.10E
7	ATTACHMENT		
7010	OUTER MAST(V-MAST)		2010. 1.31 REV.10A
7020	INNER MAST(V-MAST)		2008.11.30 REV.8L
7030	MAST HYD PIPING(V-MAST)		
7040	FORK, CARR & BKR(V-MAST,C-III)		2009. 5.31 REV.9E
7041	FORK, CARR & BKR(V-MAST,C-IV,45L)		2009. 5.31 REV.9E
7042	FORK, CARR & BKR(V-MAST, SHAFT)		2010. 6.30 REV.10F
7046	FORK POSI PIPING(V-MAST, 40/45L)		2010. 5.31 REV.10E
7050	LIFT CYLINDER(V-MAST)		
7060	3-SPOOL HYD PIPING(V-MAST)		
7070	4-SPOOL HYD PIPING(V-MAST)		
7110	OUTER MAST(VF-MAST)		2010. 1.31 REV.10A
7120	INNER MAST(VF-MAST)		2008.11.30 REV.8L
7130	MAST HYD PIPING(VF-MAST)		
7140	CARR & BKR(VF-MAST,C-III)		2008.11.30 REV.8L
7141	CARR & BKR(VF-MAST,C-IV,45L)		2008.11.30 REV.8L
7142	CARR & BKR(VF-MAST, SHAFT)		2008.11.30 REV.8L
7150	LIFT CYLINDER(VF-MAST)		
7160	FREE LIFT CYLINDER(VF-MAST)		
7170	3-SPOOL HYD PIPING(VF-MAST)		
7180	4-SPOOL HYD PIPING(VF-MAST,INTERNAL)		
7190	4-SPOOL HYD PIPING(VF-MAST,HOSE REEL)		
7210	OUTER MAST(TF-MAST)		2010. 1.31 REV.10A
7220	MIDDLE MAST(TF-MAST)		2010. 1.31 REV.10A
7230	INNER MAST(TF-MAST)		2008.11.30 REV.8L
7240	MAST HYD PIPING(TF-MAST)		2010. 4.30 REV.10D
7250	CARR & BKR(TF-MAST,C-III)		2008.11.30 REV.8L
7251	CARR & BKR(TF-MAST,C-IV,45L)		2008.11.30 REV.8L
7252	CARR & BKR(TF-MAST, SHAFT)		2008.11.30 REV.8L
7260	LIFT CYLINDER(TF-MAST)		
7270	FREE LIFT CYLINDER(TF-MAST)		
7280	3-SPOOL HYD PIPING(TF-MAST)		
7290	4-SPOOL HYD PIPING(TF-MAST,INTERNAL)		
7300	4-SPOOL HYD PIPING(TF-MAST,HOSE REEL)		
7310	SIDE SHIFT PIPING(VF,TF-MAST,3-SPOOL)		
7320	SIDE SHIFT PIPING(VF,TF-MAST,4-SPOOL)		
7330	SIDE SHIFT		

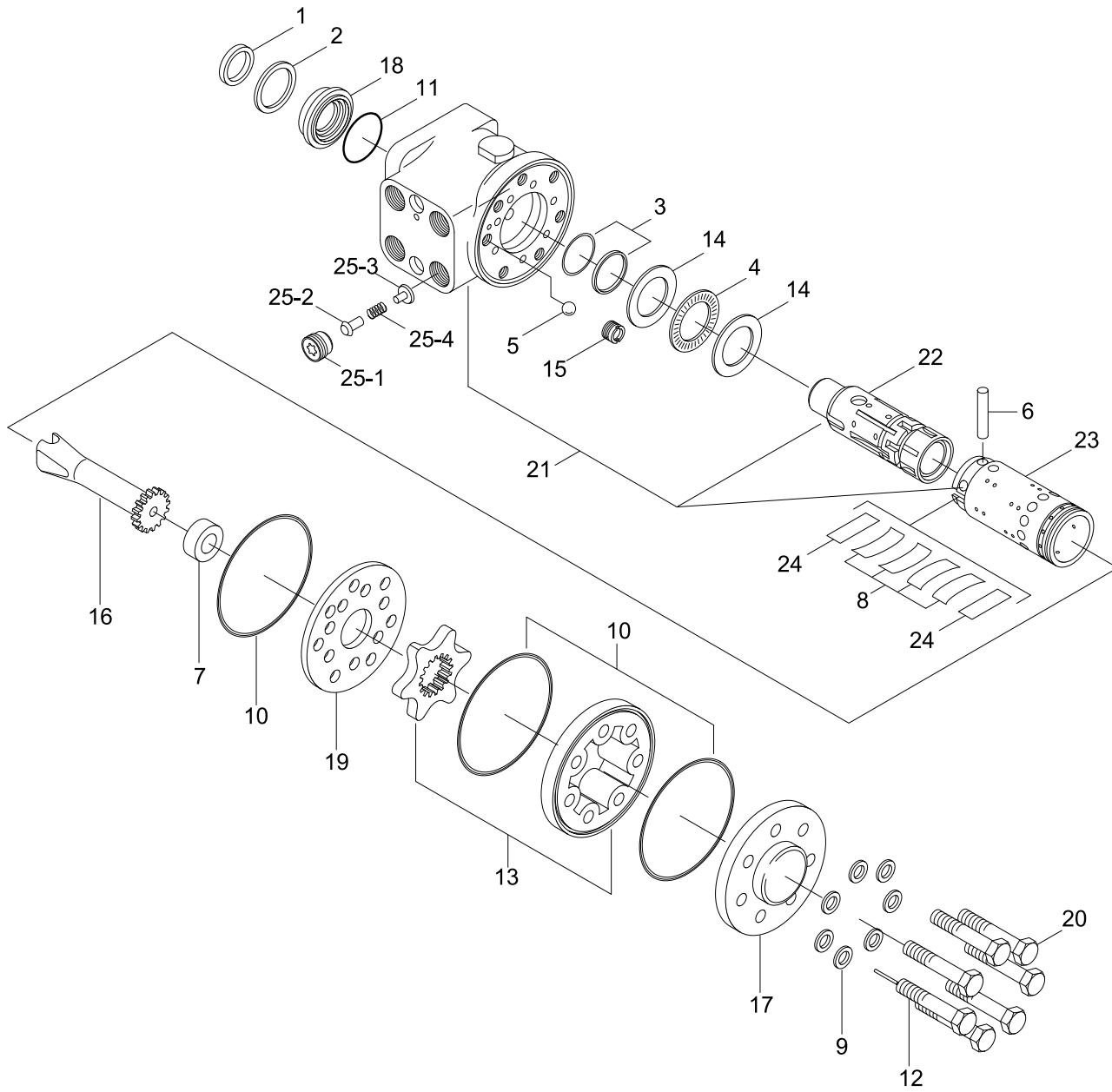
8	OTHERS		
8010	DECAL(KOREAN)		2010. 1.31 REV.10A
8011	DECAL(KOREAN)		2010. 1.31 REV.10A
8020	DECAL(ENGLISH)		2010. 1.31 REV.10A
8021	DECAL(ENGLISH)		2010. 1.31 REV.10A
8030	TOOLS		
9	ENGINE BASE		
9010	ENGINE ASSY I		2008.10.30 REV.8K
9020	ENGINE ASSY II		
9030	THERMOSTAT		
9040	STARTER		
9050	OIL LEVEL GAUGE		
9060	PULLY SYSTEM		
9070	BELT		

MIXER THROTTLE BODY ASSY



Item	Part_No	IS	Ord	T	Description	Qty	Serial_No	ITC	Remark
1	YUCU-01848				FITTING ASSY	1			IMPCO
2	YUCU-02116				CARBURETOR	1			IMPCO
3	YUCU-01876				FITTING	2			IMPCO
4	YUCU-01888				SCREW	4			IMPCO
5	YUCU-01844				O-RING	1			IMPCO
6	YUCU-01845				SLEEVE	1			IMPCO
7	YUCU-01843				THROTTLE BODY	1			IMPCO
8	YUCU-01842				O-RING	1			IMPCO
9	YUCU-01835				ADAPTOR	1			IMPCO
10	YUCU-01871				STUD	4			IMPCO
11	YUCU-01834				GASKET	1			IMPCO
12	YUCU-01847				PLUG	2			IMPCO
13	YUCU-01874				RETAINING CLIP	1			IMPCO
14	YUCU-01887				NUT	4			IMPCO
15	YUCU-01813				NUT	4			IMPCO

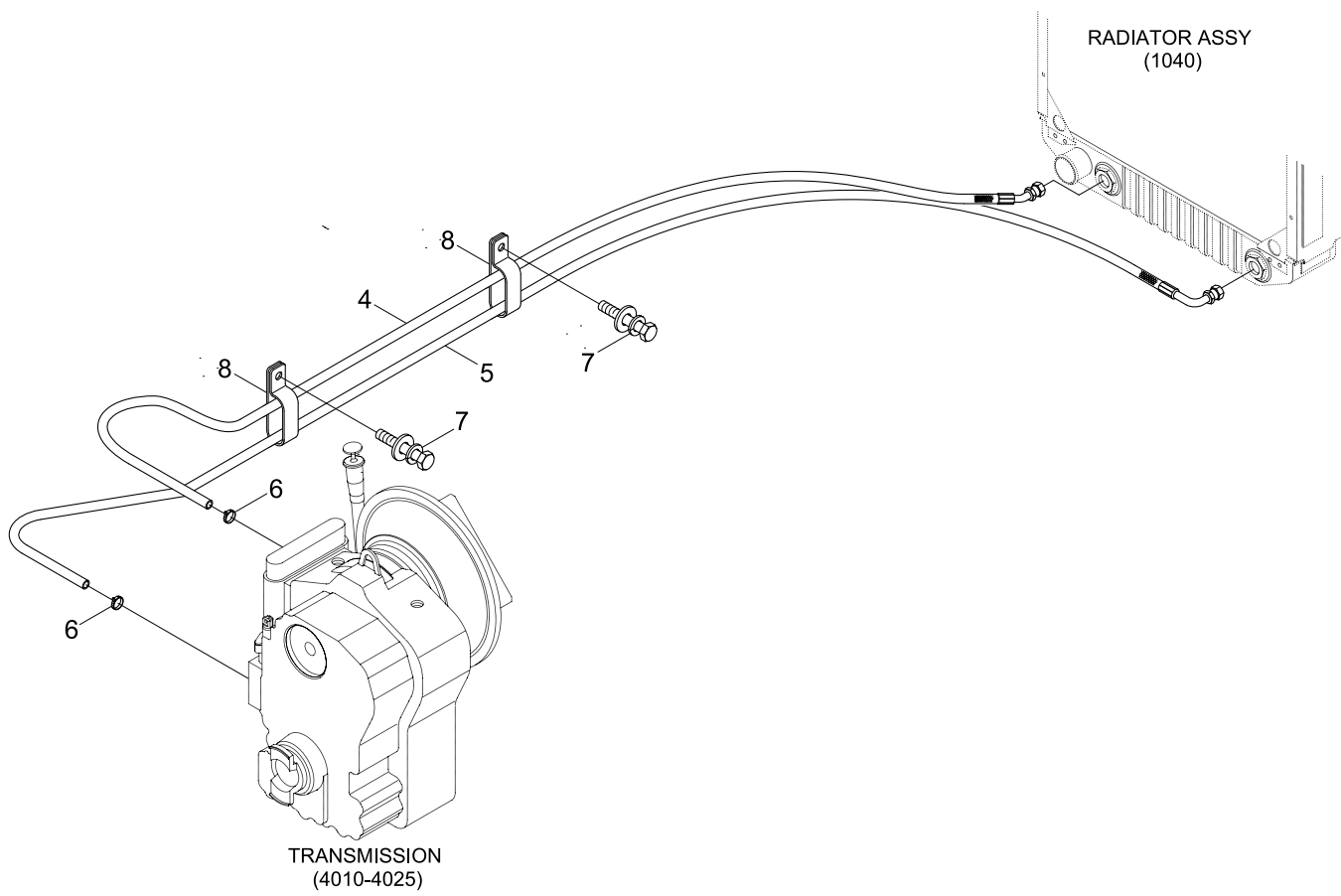
STEERING UNIT



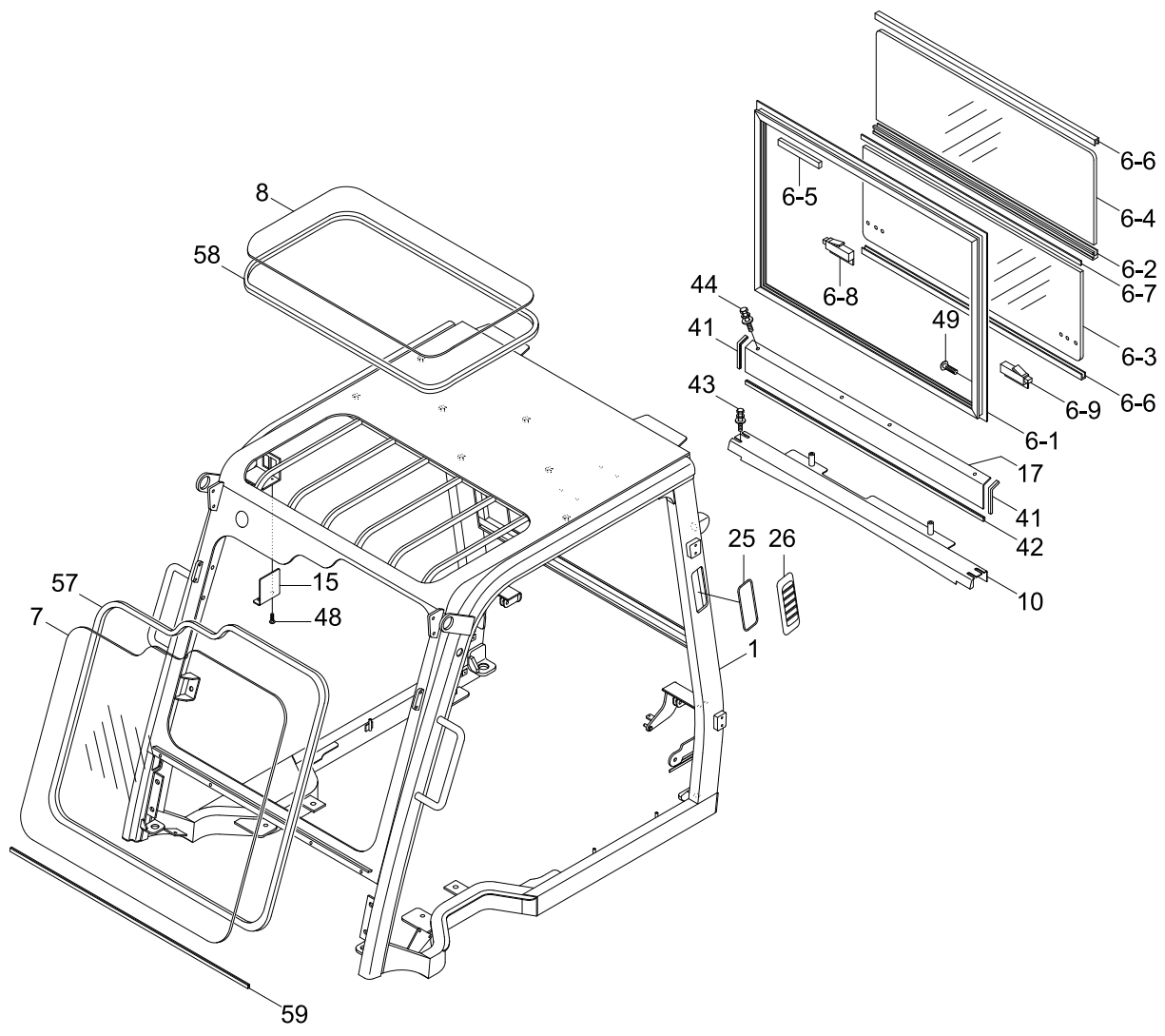
Description	Parts NO	Included item
SEAL KIT	XKAU-00130	1, 3, 9~11
NEEDLE BEARING KIT	XKAU-00041	4, 14

Item	Part_No	IS	Ord	T	Description	Qty	Serial_No	ITC	Remark
*	31HA-04000				STEERING UNIT	1			
NK1	@				.SEAL-DUST	1			NOT
2	@				.SEAL-RETAINING	1			NOT
K3	@				.SEAL-CAP	1			NOT
S4	@				.BEARING-THRUST	1			NOT
5	@				.BALL	1			NOT
6	@				.PIN	1			NOT
7	@				.SPACER	1			NOT
8	@				.SPRING-CENTERING	4			NOT
K9	@				.WASHER	7			NOT
K10	@				.O-RING	3			NOT
K11	@				.O-RING	1			NOT
12	@				.ROLLED SCREW	1			NOT
13	@				.GEROTOR SET	1			NOT
S14	@				.RACE-BEARING	2			NOT
15	@				.SCREW-BORE	1			NOT
16	@				.DRIVE	1			NOT
17	@				.CAP-END	1			NOT
18	@				.BUSHING-GLAND	1			NOT
19	@				.PLATE	1			NOT
20	@				.CAP SCREW	6			NOT
21	@				.HOUSING	1			NOT
22	@				.SPOOL	1			NOT
23	@				.SLEEVE	1			NOT
24	@				.SPRING-PLATE	2			NOT
25	@				.P-PORT CHECK VALVE	1			NOT

Item	Part_No	IS	Ord	T	Description	Qty	Serial_No	ITC	Remark
25-1	@				..PLUG	1			NOT
25-2	@				..POPPET	1			NOT
25-3	@				..SPRING SEAT	1			NOT
25-4	@				..SPRING	1			NOT
K	XKAU-00130				SEAL KIT	1			SEE ILLUSTR
S	XKAU-00041				NEEDLE BEARING KIT	1			SEE ILLUSTR



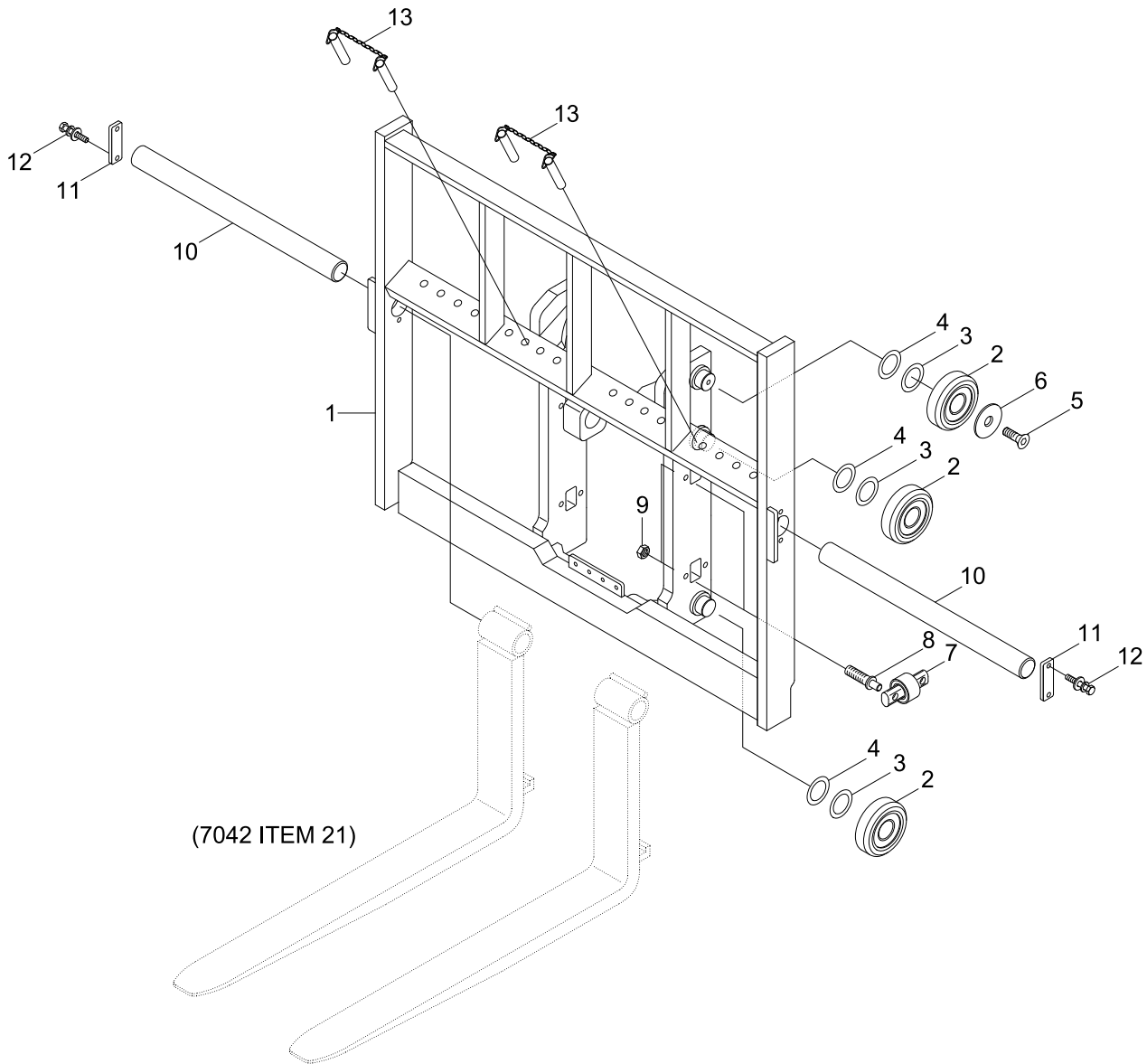
Item	Part_No	IS	Ord	T	Description	Qty	Serial_No	ITC	Remark
4	81FV-80035				HOSE-T/M COOLING	1			
5	81FV-80043				HOSE-T/M COOLING	1			
6	S572-200002				CLAMP-HOSE,WIRE TYPE	2			
7	S035-081526				BOLT-W/WASHER	2			
8	31L6-02460				CLAMP-TUBE	2			



Item	Part_No	IS	Ord	T	Description	Qty	Serial_No	ITC	Remark
1	71HL-50021				CABIN WA	1			
6	71HL-51351				SLIDING WINDOW ASSY	1			
6-1	71HL-51361				.SASH-A TYPE	1			
6-2	71HL-51371				.SASH-B TYPE	1			
6-3	71HL-51381				.GLASS-IN	1			
6-4	71HL-51391				.GLASS-OUT	1			
6-5	71HL-51401				.STOPPER-GLASS	1			
6-6	E171-1163				.SEAL	2			
6-7	E171-1164				.SEAL	1			
6-8	71L1-3332				.LOCK-LH	1			
6-9	71L1-3353				.LOCK-RH	1			
7	71HL-51041				GLASS-FRONT,CENTER	1			
8	71HL-51111				GLASS-TOP	1			
10	71HL-30062				CROSS BEAM WA	1			
15	71HL-51171				COVER	1			
17	71HL-51270				PLATE-COVER	1			
25	71FE-30200				PAD-RUBBER	1			
26	51FA-90040				COVER-AIR INTAKE	1			
41	S772-001700				WEATHER STRIP	2			
42	S772-011500				WEATHER STRIP	1			
43	S035-082026				BOLT-W/WASHER	4			
44	S035-081526				BOLT-W/WASHER	4			
48	S141-050106				SCREW-FLAT HD	2			
49	S151-040166				SCREW-TAPPING	10			
57	S781-238751				SEAL-GLASS	1			
58	S781-128541				SEAL-GLASS	1			

Item	Part_No	IS	Ord	T	Description	Qty	Serial_No	ITC	Remark
59	S771-012500				WEATHER STRIP	1			

CARR & BACK(TF-MAST, SHAFT)

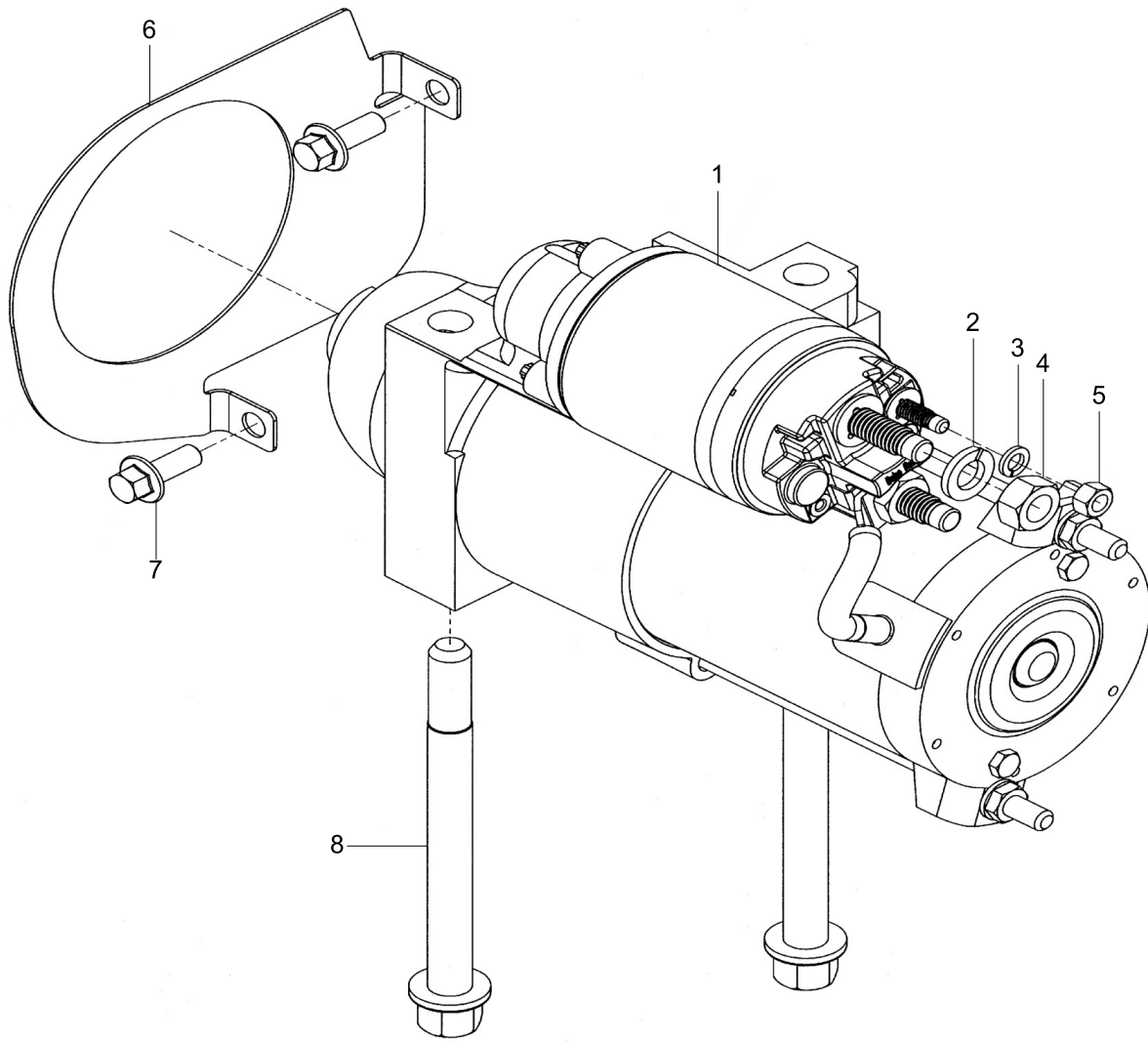


(7042 ITEM 21)

Item	Part_No	IS	Ord	T	Description	Qty	Serial_No	ITC	Remark
*	66FV-47010				CARR & BKR ASSY-SHAFT	1			S,35L
	66FV-47020				CARR & BKR ASSY-SHAFT	1			D,35L
	66FV-48010				CARR & BKR ASSY-SHAFT	1			S,40/45L
	66FV-48020				CARR & BKR ASSY-SHAFT	1			D,40/45L
1	66FV-41010				.CARR & BKR WA-SHAFT	1			S,35L
	66FV-41020				.CARR & BKR WA-SHAFT	1			D,35L
	66FV-42010				.CARR & BKR WA-SHAFT	1			S,40/45L
	66FV-42020				.CARR & BKR WA-SHAFT	1			D,40/45L
2	6625011800-01				.BEARING-L/ROLLER(127.0)	6			STD
	6625011801-01				.BEARING-L/ROLLER(127.5)	6	#0004 -	-	35L,OVERSIZE
	6625011802-01				.BEARING-L/ROLLER(126.5)	6	#0004 -	-	35L,UNDERSIZE
	6625011801-01				.BEARING-L/ROLLER(127.5)	6	#0003 -	-	40L,OVERSIZE
	6625011802-01				.BEARING-L/ROLLER(126.5)	6	#0003 -	-	40L,UNDERSIZE
	6625011801-01				.BEARING-L/ROLLER(127.5)	6	#0006 -	-	45L,OVERSIZE
	6625011802-01				.BEARING-L/ROLLER(126.5)	6	#0006 -	-	45L,UNDERSIZE
	6625011800-01				.BEARING-L/ROLLER	6			
3	5261101400				.SHIM(0.5T)	6			
4	5261101500				.SHIM(1.0T)	6			
5	61F7-28010				.BOLT-FLAT HD	2			
6	61F7-28021				.WASHER-RETAINING	2			
7	61FE-28100				.BEARING-SIDE ROLLER	4			
8	61FB-28040				.SCREW-ADJUST	8			
9	S205-161002				.NUT-HEX	8			
10	61FV-47100				.HANGER BAR-FORK	2			S,35L
	61FV-47110				.HANGER BAR-FORK	2			D,35L
	61FV-48100				.HANGER BAR-FORK	2			S,40/45L

Item	Part_No	IS	Ord	T	Description	Qty	Serial_No	ITC	Remark
10	61FV-48110				.HANGER BAR-FORK	2			D,40/45L
11	61FQ-25100				.COVER	2			
12	S037-123526				.BOLT-W/WASHER	4			
13	61FC-28070				.FORK RETAINING ASSY	2			

STARTER



Item	Part_No	IS	Ord	T	Description	Qty	Serial_No	ITC	Remark
1	YUCU-01739				STARTER MOTOR	1			
2	YUCU-01736				WASHER-LOCK	1			
3	YUCU-01734				WASHER-LOCK	1			
4	YUCU-01735				NUT-HEX	1			
5	YUCU-01733				NUT-HEX	1			
6	YUCU-01737				COVER	1			
7	YUCU-01738				BOLT-FLANGE 8.8	2			
8	YUCU-01732				BOLT-HEX	2			