

PARTS CATALOG

Crawler Excavator R35Z-7

Use the bookmarks for navigation inside the Parts book

Tech. Library <https://engine.od.ua>

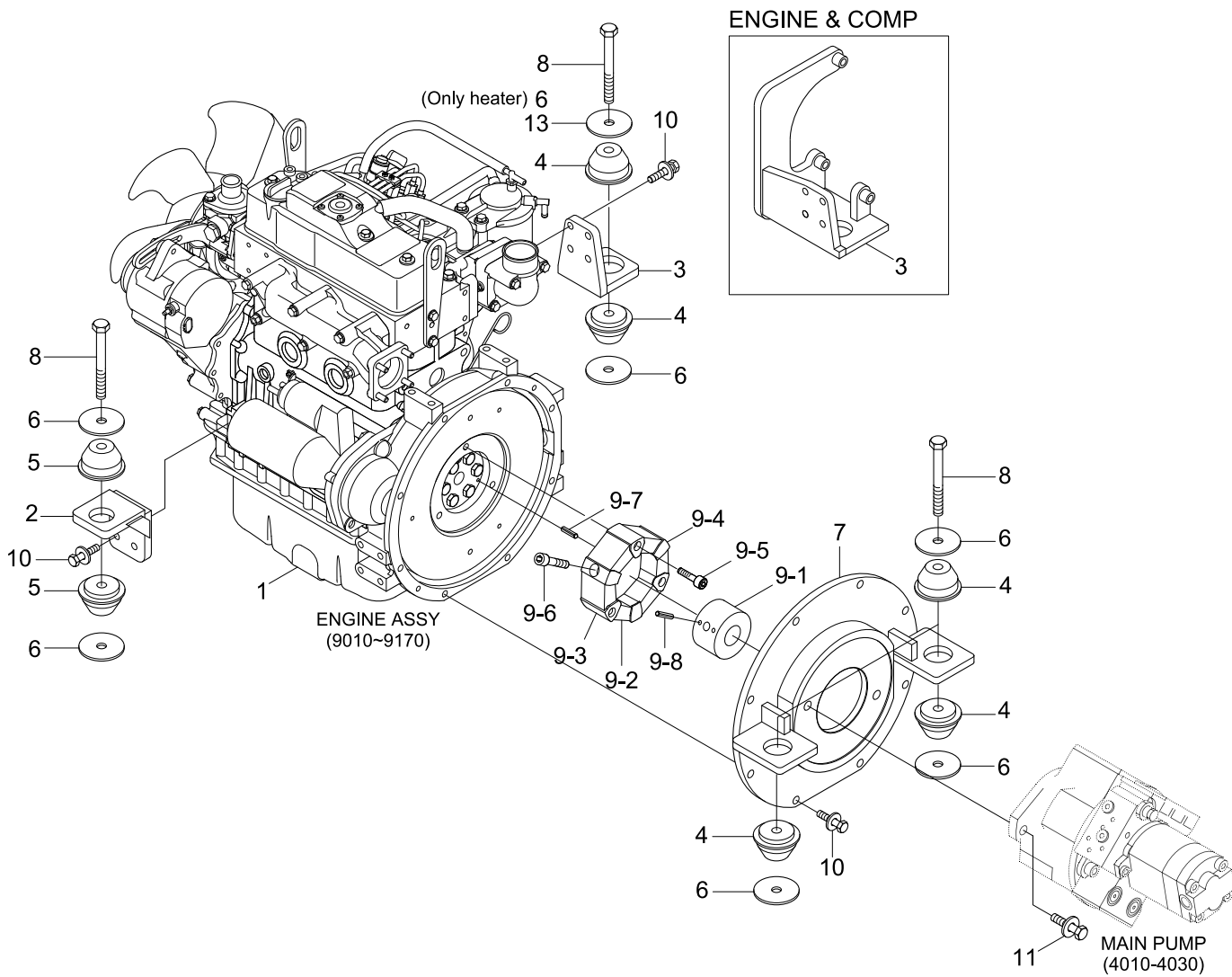
HYUNDAI

Excavator R35Z-7

Page	Contents	Serial No	Revision_No
1	ENGINE SYSTEM		
1010	ENGINE MOUNTING		2007. 7.31 REV.7G
1020	ENGINE CONTROL SYSTEM		2007. 7.31 REV.7G
1030	AIR INTAKE & EXHAUST SYSTEM		2010. 3.31 REV.10C
1040	COOLING SYSTEM		2010. 7.31 REV.10G
1050	RADIATOR ASSY		
1060	FUEL SYSTEM		2010. 7.31 REV.10G
1070	FUEL TANK		2008. 1.31 REV.8A
1100	AIR CONDITIONER & HEATER MOUNING		2010. 7.31 REV.10G
1110	AIR CONDITIONER MOUNTING		2008. 2.29 REV.8B
1120	HEATER MOUNTING		2010. 7.31 REV.10G
1130	AIR CONDITIONER UNIT		
1140	HEATER ASSY		
2	ELECTRIC SYSTEM		
2010	UPPER ELECTRIC		2008. 7.31 REV.8G
2020	CABIN ELECTRIC		
2030	CANOPY ELECTRIC		
2040	CABIN ROOM ELECTRIC		2008. 6.30 REV.8F
2050	CANOPY ROOM ELECTRIC		
3	HYDRAULIC SYSTEM		
3010	HYDRAULIC TANK		2010. 3.31 REV.10C
3100	UPPER HYDRAULIC PIPING 1		2007. 7.31 REV.7G
3110	UPPER HYDRAULIC PIPING 2		
3120	UPPER HYDRAULIC PIPING 3		2007. 7.31 REV.7G
3200	RCV HYD PIPING		2007. 7.31 REV.7G
3210	RCV HYD PIPING(SELECTOR VALVE)		2007. 7.31 REV.7G
3230	PILOT HYD PIPING 1 (RCV LEVER)		
3240	PILOT HYD PIPING 2 (DOZER LEVER)		2008. 3.31 REV.8C
3250	PILOT HYD PIPING 3 (TRAVEL)		2008. 3.31 REV.8C
3260	PILOT HYD PIPING 4 (SOLENOID)		2008. 9.30 REV.8J
3270	PILOT HYD PIPING 5 (TRAVEL, ALARM)		
3300	LOWER HYD PIPING		
3400	ATTACH HYDRAULIC PIPING		2008. 9.30 REV.8J
3500	QUICK CLAMP PIPING		2008. 1.31 REV.8A
4	HYDRAULIC COMPONENT		
4010	MAIN PUMP(1/3)		
4020	MAIN PUMP(2/3)		
4030	MAIN PUMP(3/3)		
4100	MAIN CONTROL VALVE(1/3)		2008. 4.30 REV.8D
4110	MAIN CONTROL VALVE(2/3)		2008. 4.30 REV.8D
4120	MAIN CONTROL VALVE(3/3)		
4200	SWING MOTOR		
4210	SWING REDUCTION GEAR		
4300	TRAVEL MOTOR(1/3, MAG-26VP)		
4310	TRAVEL MOTOR(2/3, MAG-26VP)		
4320	TRAVEL MOTOR(3/3, MAG-26VP)		
4330	TRAVEL MOTOR(1/3, SBTR35/RMV23)		
4340	TRAVEL MOTOR(2/3, SBTR35/RMV23)		
4350	TRAVEL MOTOR(3/3, SBTR35/RMV23)		
4400	TURNING JOINT		2007. 7.31 REV.7G
4500	REMOTE CONTROL VALVE		
4510	REMOTE CONTROL PEDAL(TRAVEL)		
4520	REMOTE CONTROL PEDAL(BOOM SWING)		
4530	SOLENOID VALVE		2008. 9.30 REV.8J
4600	BOOM CYLINDER		
4610	ARM CYLINDER		
4620	BUCKET CYLINDER		
4630	BLADE CYLINDER		
4640	BOOM SWING CYLINDER		

4700	QUICK CLAMP ASSY(HOOK TYPE)		2008. 3.31 REV.8C
4710	QUICK CLAMP ASSY(CLOSED TYPE)		2008. 3.31 REV.8C
5	UNDERCARRIAGE		
5010	UNDERCARRIAGE MOUNTING		
5100	UPPER ROLLER		
5110	LOWER ROLLER		
5200	ADJUST COMPONENT		2008. 4.30 REV.8D
5300	TRACK		2008. 9.30 REV.8J
6	STRUCTURE		
6010	CANOPY MOUNTING		
6020	CABIN MOUNTING		2010. 3.31 REV.10C
6100	CABIN ASSY(1/5)		2007. 7.31 REV.7G
6110	CABIN ASSY(2/5)		
6120	CABIN ASSY(3/5, RH SASH)		
6130	CABIN ASSY(4/5, SIDE DOOR)		
6140	CABIN ASSY(5/5, SLIDING DOOR)		
6200	CANOPY INTERIOR		
6210	CABIN INTERIOR		
6220	CONSOLE BOX ASSY-LH		
6230	CONSOLE BOX ASSY-RH		
6240	SEAT BASE ASSY		2010. 5.31 REV.10E
6250	SEAT		
6300	COWLING		2010. 3.31 REV.10C
6310	ENGINE HOOD SUB ASSY		2007. 7.31 REV.7G
6320	TOOL BOX ASSY		2010. 3.31 REV.10C
6330	UNDER COVER		2010. 3.31 REV.10C
6340	GROMMET GROUP		
6400	UPPER FRAME & COUNTERWEIGHT		2010. 3.31 REV.10C
6410	BOOM SWING SYSTEM		2010. 3.31 REV.10C
6420	SWING BEARING GROUP		
6500	LOWER FRAME		
6510	DOZER BLADE		
7	ATTACHMENT		
7010	BOOM MOUNTING		2009. 4.21 REV.9D
7100	BOOM(2.5M)		
7200	ARM(1.3M)		2008. 9.30 REV.8J
7300	BUCKET(0.11M3 SAE HEAPED)		
7400	BUCKET CONTROL GROUP		
8	OTHER		
8010	TOOLS		2009. 12.14 REV.9M
8100	DECALS(CANOPY TYPE)		2010. 5.31 REV.10E
8110	DECALS(CABIN TYPE)		2010. 5.31 REV.10E
9	ENGINE BASE		
9010	CYLINDER BLOCK		
9020	GEAR HOUSING		
9030	FLYWHEEL HOUSING & OIL SUMP		
9040	CYLINDER HEAD & BONNET		
9050	AIR INTAKE MANIFOLD		
9060	EXHAUST MANIFOLD		
9070	CAMSHAFT & DRIVING GEAR		
9080	CRANKSHAFT & PISTON		
9090	LUB OIL SYSTEM		
9100	COOLING WATER SYSTEM		
9110	FUEL INJECTION PUMP		
9120	GOVERNOR		
9130	FUEL INJECTION VALVE		
9140	FUEL LINE		
9150	STARTING MOTOR		
9160	GENERATOR		
9170	GASKET SET		

ENGINE MOUNTING

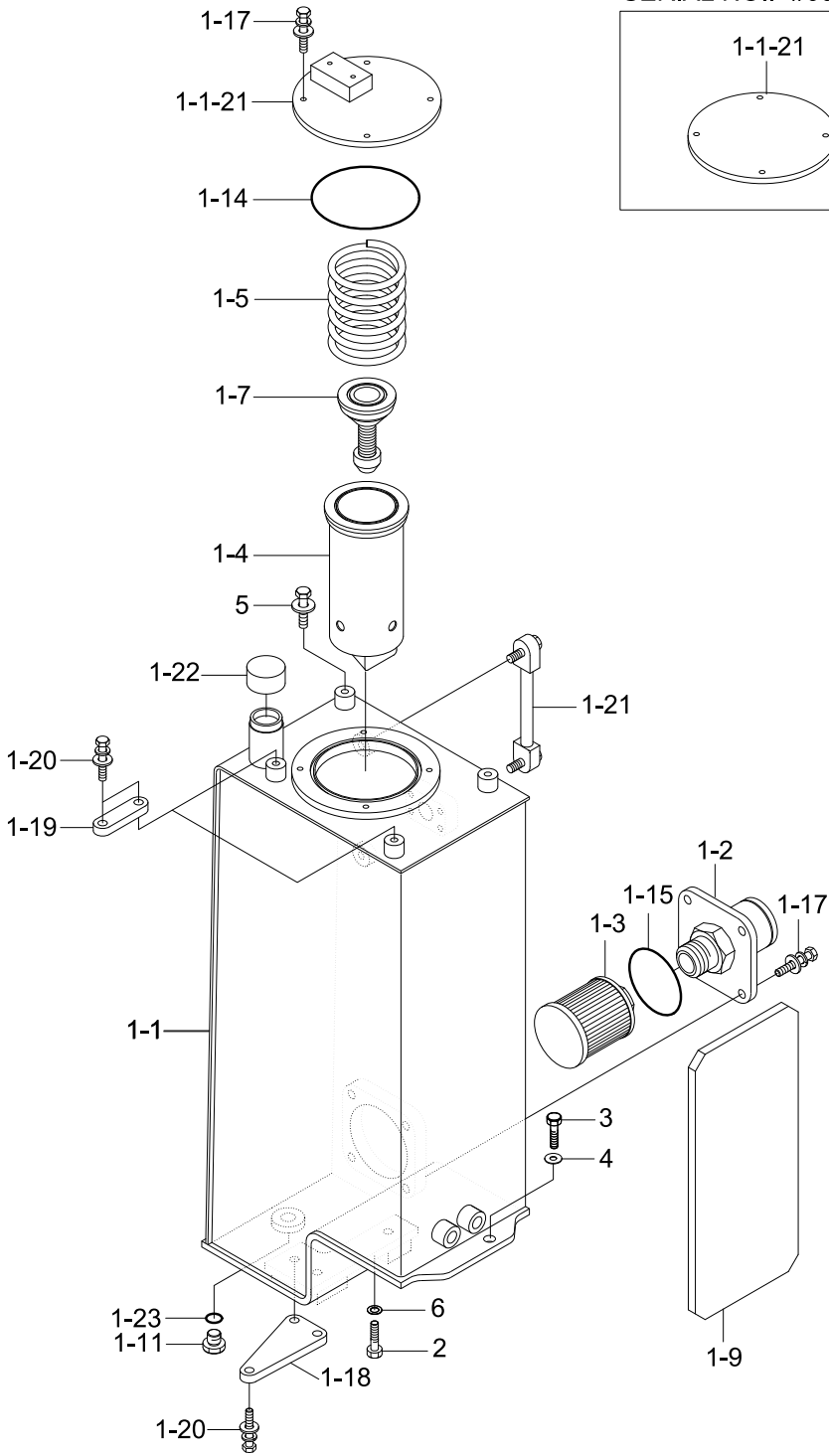
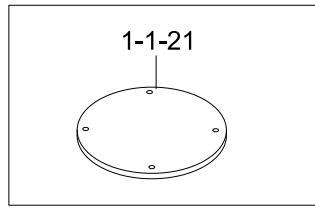


Item	Part_No	IS	Ord	T	Description	Qty	Serial_No	ITC	Remark
1	11MH-00010				ENGINE ASS'Y	1			
2	11MH-00200				BRACKET-FRONT	1			
3	11MH-00210				BRACKET-ENG & COMP	1			A/C & HEATER
	11MH-00270				BRACKET	1			HEATER ONLY
4	11MH-07150				MOUNT-RUBBER	6			
5	11MH-07160				MOUNT-RUBBER	2			
6	11MH-00230				WASHER-PLATE	5	- #0004	-	
					WASHER-PLATE	6	#0005 -	-	
					WASHER-PLATE	7	#0005 -	-	
7	11MH-00220				HOUSING-PUMP	1			
8	S017-121106				BOLT-HEX	4			
9	11MF-10020				COUPLING ASSY	1			
9-1	11MF-12010				.HUB-SPLINE	1			
9-2	11MF-12020				.RUBBER ASSY	1			
N9-3	11MF-12030				..INSERT (A)	3			NOT
N9-4	11MF-12040				..INSERT (R)	3			NOT
9-5	S109-120356				.BOLT-SOCKET	3			
9-6	S109-120356				.BOLT-SOCKET	3			
9-7	S472-500254				.PIN-SPRING	3			
9-8	S472-500104				.PIN-SPRING	6			
10	S037-103056				BOLT-W/WASHER	16			
11	S037-123056				BOLT-W/WASHER	2			
12	11MH-00160				WASHER-OVERLOAD	3	- #0004	-	
13	11MH-00280				WASHER-PLATE	1	#0005 -	-	

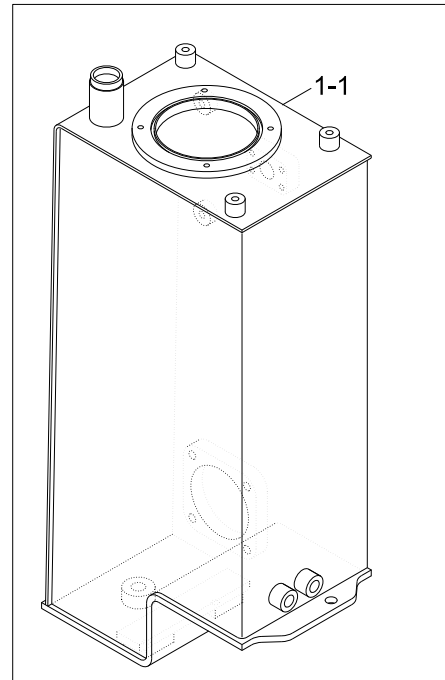
[Item List] - Print Date : 2022.07.23 17:07

HYDRAULIC TANK

SERIAL NO.: -#0034



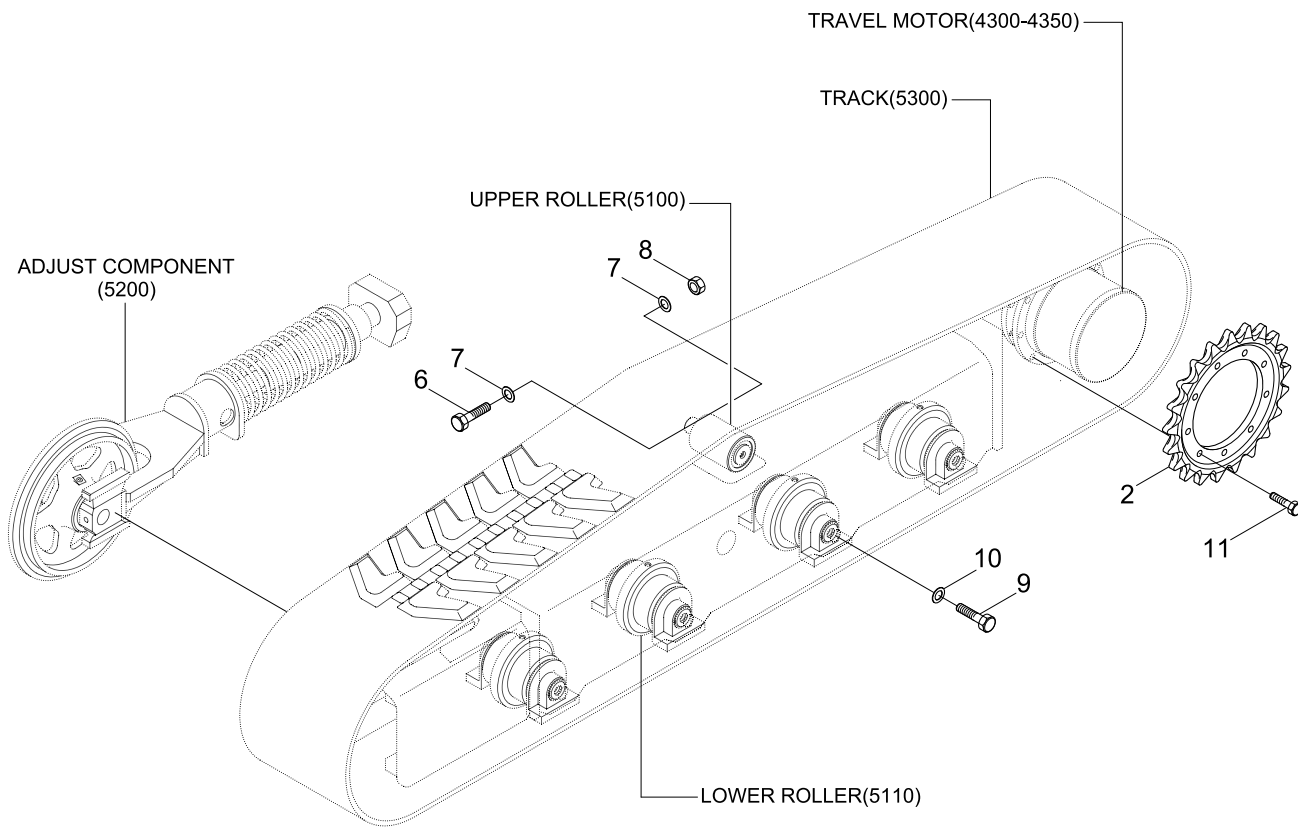
SERIAL NO.: -#0085



Item	Part_No	IS	Ord	T	Description	Qty	Serial_No	ITC	Remark
1	@				HYD TANK ASSY	1			NOT
1-1	31MH-01012				.HYD TANK W.A	1	- #0085		
	31MH-01013				.HYD TANK WA	1	#0086 -	B	
1-1-21	31MH-01170				..COVER-RETURN	1	- #0034		
	31MH-01171				..COVER-RETURN	1	#0035 -	B	
1-2	31MH-01201				.SUCTION PIPE	1			
1-3	31MH-01210				.STRAINER-SUCTION	1			
1-4	31MH-01310				.ELEMENT-RETURN FILTER	1			
1-5	31E9-1020				.SPRING-RETURN	1			
1-7	31M5-00240				.VALVE-BYPASS	1			
1-9	31MH-01510				.INSULATION	1	#0271 -	-	
1-11	P220-110104				.PLUG-HEX	1			
1-14	S632-135001				.O-RING	1			
1-15	S632-110001				.O-RING	1			
1-17	S037-102526				.BOLT-W/WASHER	8			
1-18	31MH-01410				.PLATE-BASE	1	#0086 -	-	
1-19	31MH-01420				.PLATE-TOP	2	#0086 -	-	
1-20	S037-123026	00			.BOLT-W/WASHER	7	#0086 -	-	
1-21	E131-0473				.GAUGE-LEVEL	1			
1-22	31MH-01230				.CAP ASSY	1			
1-23	S631-018004				.O-RING	1			
2	S017-120406				BOLT-HEX	2			
3	S037-123056				BOLT-W/WASHER	1			
4	41M5-51920				SHIM(1.0T)	3			
5	S017-120156				BOLT-HEX	2			
6	S441-120006				WASHER-HARDENED	3			

[Item List] - Print Date : 2022.07.23 17:07

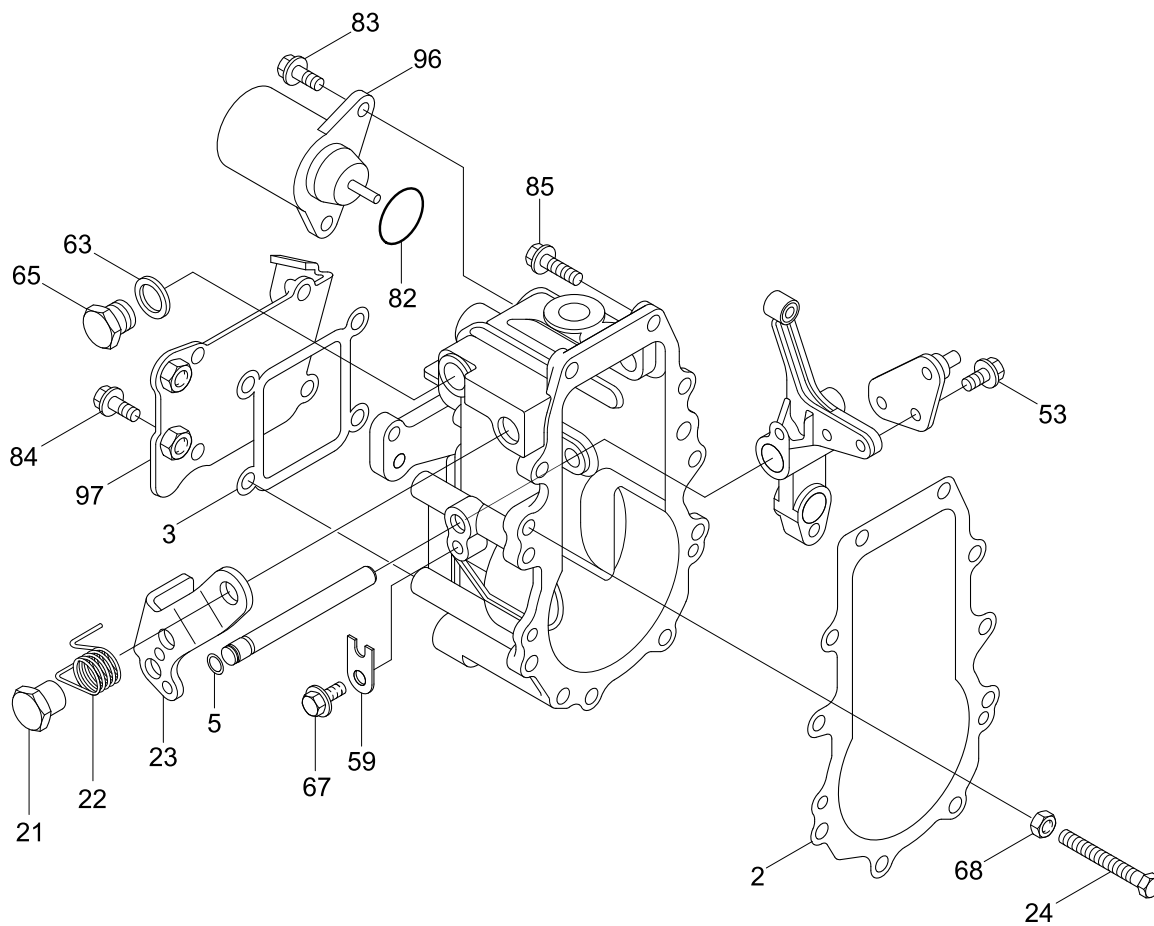
UNDERCARRIAGE MOUNTING



Item	Part_No	IS	Ord	T	Description	Qty	Serial_No	ITC	Remark
2	81MH-10010				SPROCKET	2			
6	S017-120706				BOLT-HEX	2			
7	S441-120006				WASHER-HARDENED	4			
8	S275-120006				NUT-SELF LOCKING	2			
9	S017-18050D				BOLT-HEX	16			
10	S403-182006				WASHER-PLAIN	16			
11	81E1-19680				BOLT-SPROCKET	18			

[Item List] - Print Date : 2022.07.23 17:07

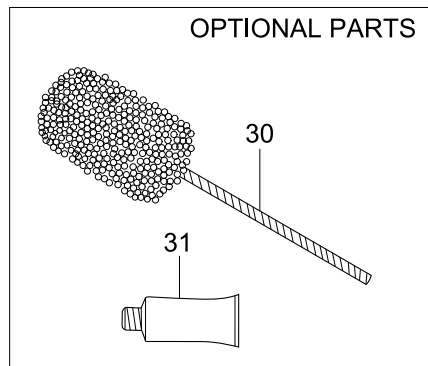
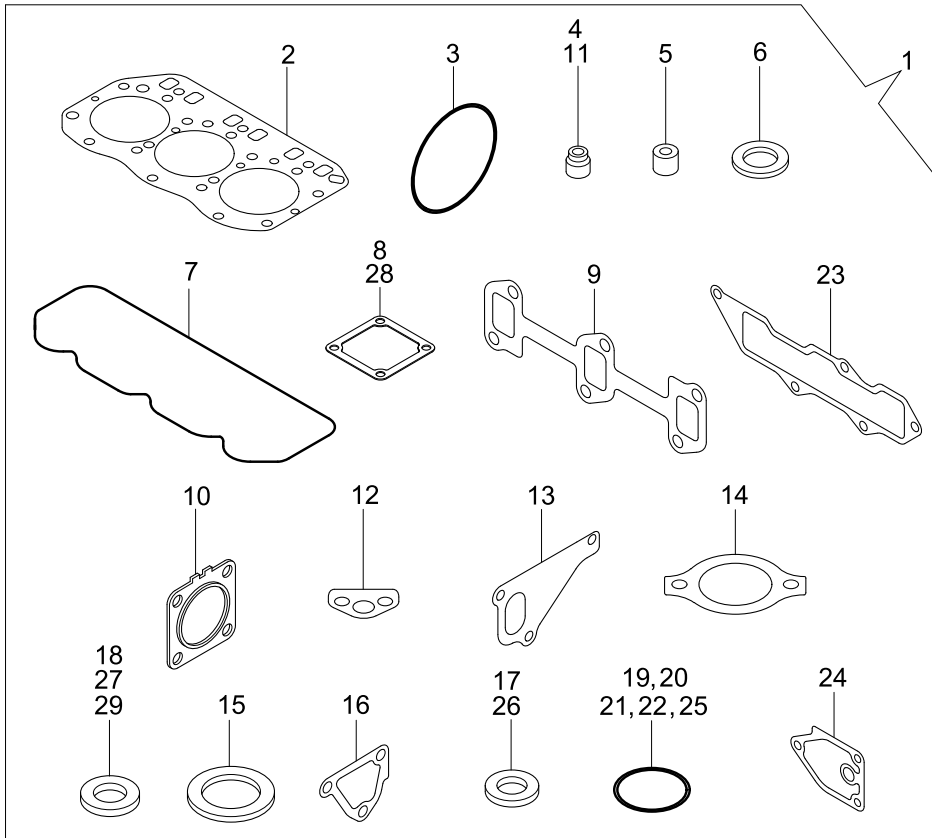
GOVERNOR



Item	Part_No	IS	Ord	T	Description	Qty	Serial_No	ITC	Remark
2	XJAU-00800				PACKING-CASE	1			
3	XJAU-00801				PACKING	1			
5	XJAU-00557				O-RING S6	1			
21	XJAU-00558				NUT	1			
22	XJAU-00559				SPRING	1			
23	XJAU-00802				LEVER-REGULATOR	1			
24	XJAU-00562				BOLT-IDLE LIMIT	1			
53	XJAU-00549				BOLT-PLATED	1			
59	XJAU-00564				RETAINER-SHAFT	1			
63	XJAU-00803				SEAL WASHER	1			
65	XJAU-00547				PLUG	1			
67	XJAU-00549				BOLT-PLATED	1			
68	XJAU-00567				NUT-LOCK	1			
82	XJAU-00804				O-RING	1			
83	XJAU-00569				BOLT-PLATED	2			
84	XJAU-00569				BOLT-PLATED	4			
85	XJAU-00472				BOLT	10			
96	XJAU-00474				SOLENOID-FUEL STOP	1			
97	XJAU-00805				COVER-CASE	1			

[Item List] - Print Date : 2022.07.23 20:07

GASKET SET



Item	Part_No	IS	Ord	T	Description	Qty	Serial_No	ITC	Remark
1	XJAU-00841				GASKET SET-(NON ASB.)	1			
2	XJAU-00655				.GASKET,(NON-ASB)	1			
3	XJAU-00674				.O-RING,F.I.PUMP	1			
4	XJAU-00324				.SEAL-VALVE STEM	3			
5	XJAU-00098				.PROTECTOR-NOZZLE	3			
6	XJAU-00064				.SEAT-NOZZLE	3			
7	XJAU-00708				.GASKET-BONNET	1			
8	XJAU-00715				.GASKET-(NON-ASB.)	1			
9	XJAU-00718				.GASKET-EXH MANIFOLD	1			
10	XJAU-00719				.GASKET	1			
11	XJAU-00323				.SEAL-VALVE STEM	3			
12	XJAU-00747				.GASKET	1			
13	XJAU-00765				.GASKET	1			
14	XJAU-00777				.GASKET-(NON-ASB.)	1			
15	XJAU-00774				.GASKET-(NON-ASB.)	1			
16	XJAU-00768				.GASKET-THERMO CASE	1			
17	XJAU-00159				.WASHER-SEAL	2			
18	XJAU-00183				.GASKET	1			
19	XJAU-00065				.O-RING	3			
20	XJAU-00037				.O-RING	3			
21	XJAU-00677				.O-RING	1			
22	XJAU-00767				.O-RING	1			
23	XJAU-00712				.GASKET-MAIFOLD	1			
24	XJAU-00755				.GASKET	1			
25	XJAU-00670				.O-RING P16	4			
26	XJAU-00751				.WASHER-SEAL	2			

Item	Part_No	IS	Ord	T	Description	Qty	Serial_No	ITC	Remark
27	XJAU-00176				.GASKET-ROUND	1			
28	XJAU-00714				.GASKET-AIR HEATER	1			
29	XJAU-00781				.GASKET 10	1			
30	XJAU-00842				HORN-FLEX	1			
31	XJAU-00678				GASKET-LIQUID	1			