

# **PARTS CATALOG**

**EXCAVATOR  
R110-7A**

*Use the bookmarks for navigation inside the Parts book*

Tech. Library <https://engine.od.ua>

# **HYUNDAI**

## Excavator R110-7A

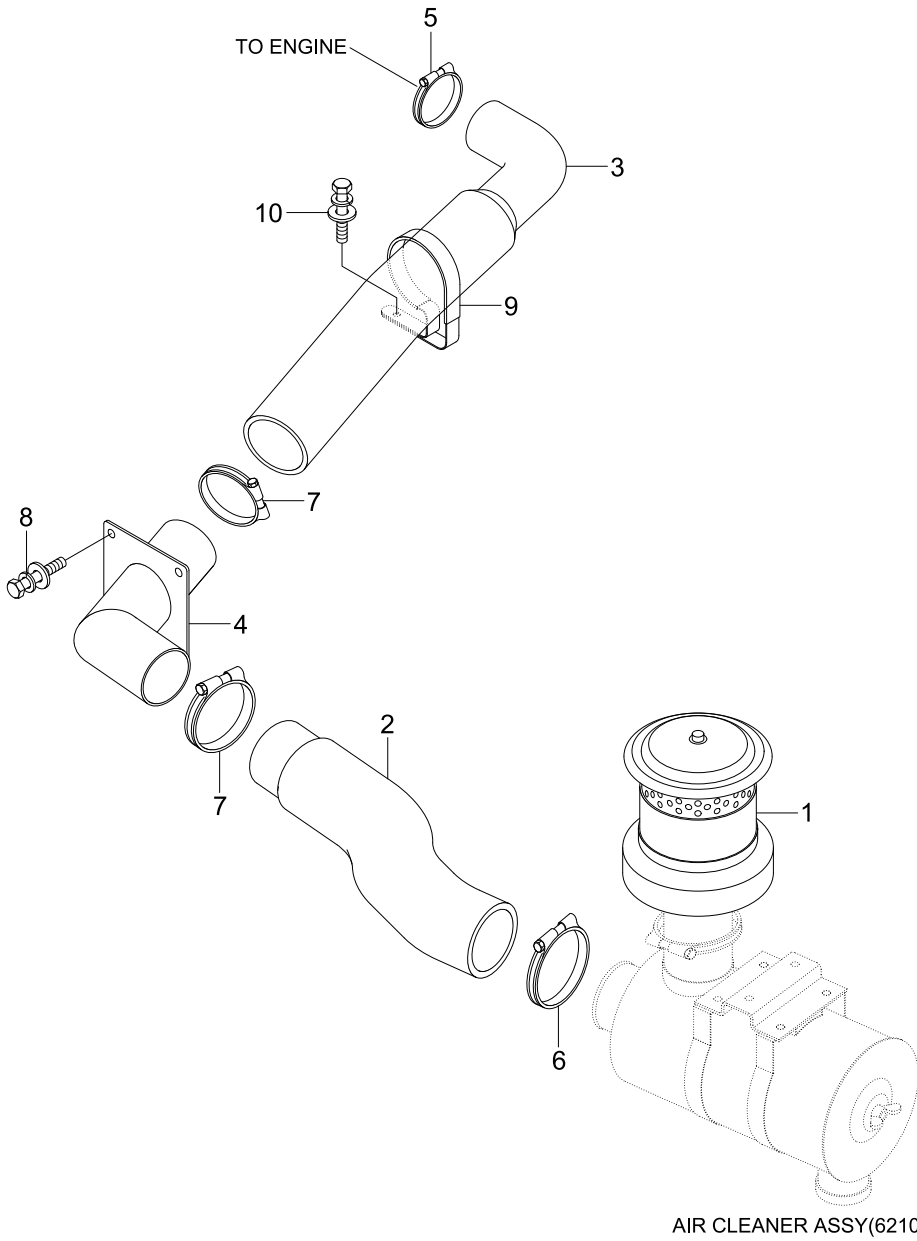
Page	Contents	Serial_No	Revision_No
<b>1</b>	<b>ENGINE SYSTEM</b>		
1010	ENGINE MOUNTING		2010. 6.30 REV.10F
1020	AIR INTAKE SYSTEM		
1030	EXHAUST SYSTEM		
1040	COOLING SYSTEM		2009. 3.31 REV.9C
1050	RADIATOR ASSY		
1060	FUEL SYSTEM		2009. 9. 1 REV.9J
1070	FUEL TANK		2009. 10.30 REV.9K
1100	AIRCON & HEATER MOUNTING-ENGINE		
1110	AIRCON & HEATER MOUNTING-CABIN		2010. 6.30 REV.10F
1120	AIR CONDITIONER MOUNTING-ENGINE		2010. 6.30 REV.10F
1130	AIR CONDITIONER MOUNTING-CABIN		2010. 6.30 REV.10F
1140	HEATER MOUNTING-ENGINE		
1150	HEATER MOUNTING-CABIN		
1160	AIRCON & HEATER UNIT		2010. 6.30 REV.10F
1170	AIR CONDITIONER UNIT		2010. 6.30 REV.10F
1180	HEATER UNIT		
1190	AIRCON & HEATER UNIT-FATC		2010. 6.30 REV.10F
<b>2</b>	<b>ELECTRIC SYSTEM</b>		
2010	RH ELECTRIC		
2020	LH ELECTRIC		2009. 8.31 REV.9H
2030	BOOM ELECTRIC		
2040	ENGINE ELECTRIC		
2050	ELECTRIC BOX		2010. 2.28 REV.10B
2060	CAB ELECTRIC 1		2010. 2.28 REV.10B
2070	CAB ELECTRIC 2		2010. 2.28 REV.10B
2080	BOTTOM ELECTRIC		
2090	FUEL FILLER PUMP		
2100	FUSE BOX		
2110	CLUSTER		
<b>3</b>	<b>HYDRAULIC SYSTEM</b>		
3010	PUMP MOUNTING		
3020	HYDRAULIC TANK		2009. 3.31 REV.9C
3030	UPPER HYDRAULIC PIPING(BASE)		
3040	UPPER HYDRAULIC PIPING(ATTACH)		
3050	UPPER HYDRAULIC PIPING(TRAVEL)		2010. 3.31 REV.10C
3070	PILOT HYDRAULIC PIPING(CONTROL 1)		2009. 3.31 REV.9C
3080	PILOT HYDRAULIC PIPING(CONTROL 2)		2008. 3.31 REV.8C
3090	PILOT HYDRAULIC PIPING(BASE 1)		
3100	PILOT HYDRAULIC PIPING(BASE 2)		
3110	PILOT HYDRAULIC PIPING(BASE 3)		
3120	PILOT HYDRAULIC PIPING(RCV-LH)		
3130	PILOT HYDRAULIC PIPING(RCV-RH)		
3200	TRAVEL HYD PIPING(R110-7A)		2009. 8.25 REV.9H
3300	TRAVEL HYD PIPING 1 (R110D-7A)		2009. 8.25 REV.9H
3350	TRAVEL HYD PIPING 2 (R110D-7A)		
3400	BOOM HYDRAULIC PIPING(4.3M, STD)		
3410	BOOM GREASE LUB SYSTEM(4.3M, STD)		2008. 3.31 REV.8C
3500	BOOM SAFETY LOCK SYSTEM		2008. 6.30 REV.8F
3600	ARM HYDRAULIC PIPING		
3610	ARM SAFETY LOCK SYSTEM		2008. 6.30 REV.8F
3700	DOZER BLADE HYDRAULIC PIPING(UPPER)		
3800	QUICK CLAMP HYD PIPING		
3900	DOUBLE ACTING MAIN PIPING KIT		
3910	D/ACT MAIN PIPING KIT(DOZER)		
3920	SINGLE ACTING MAIN PIPING KIT		
3930	DOUBLE ACTING ATTACH PIPING KIT		
<b>4</b>	<b>HYDRAULIC COMPONENT</b>		
4010	MAIN PUMP		

4020	REGULATOR		2008. 3.31 REV.8C
4030	GEAR PUMP		
4040	MAIN CONTROL VALVE(1/4)		
4050	MAIN CONTROL VALVE(2/4)		
4060	MAIN CONTROL VALVE(3/4)		
4070	MAIN CONTROL VALVE(4/4)		
4080	SWING MOTOR		
4090	SWING REDUCTION GEAR		
4100	TRAVEL MOTOR(1/2, TYPE 1)		2009. 8.25 REV.9H
4110	TRAVEL MOTOR(2/2, TYPE 1)		2009. 8.25 REV.9H
4120	TRAVEL REDUCTION GEAR(TYPE 1)		2009. 8.25 REV.9H
4130	TRAVEL MOTOR(1/2, TYPE 2, #0042-)	#0042 -	2009. 8.25 REV.9H
4131	TRAVEL MOTOR(2/2, TYPE 2, #0042-)	#0042 -	2009. 8.25 REV.9H
4135	TRAVEL REDUCTION GEAR(TYPE 2, #0042-)	#0042 -	2009. 8.25 REV.9H
4140	REMOTE CONTROL LEVER		
4150	REMOTE CONTROL PEDAL		
4160	TURNING JOINT		
4170	TURNING JOINT(R110D-7A)		
4180	BOOM CYLINDER		
4190	ARM CYLINDER		
4200	BUCKET CYLINDER		
4210	DOZER BLADE CYLINDER		
4220	SOLENOID VALVE		
4300	SINGLE PEDAL(DOUBLE ACTING)		
4400	QUICK CLAMP ASSY(HOOK TYPE 1)		
4410	QUICK CLAMP ASSY(HOOK TYPE 2)		
4420	QUICK CLAMP ASSY(CLOSED TYPE 1)		
4430	QUICK CLAMP ASSY(CLOSED TYPE 2)		
<b>5</b>	<b>UNDERCARRIAGE</b>		
5010	UNDERCARRIAGE MOUNTING		
5020	LOWER ROLLER		
5030	UPPER ROLLER		
5040	IDLER		
5050	TRACK CHAIN		2010. 1. 4 REV.10A
5060	ADJUST COMPONENT		
<b>6</b>	<b>STRUCTURE</b>		
6010	CAB MOUNTING		2009. 12.10 REV.9M
6020	CAB ASSY(1/6, STD & FOG TYPE)		2009.12.30 REV.9M
6025	CAB ASSY(1/6, ROOF TYPE)		2009.12.30 REV.9M
6030	CAB ASSY(2/6)		2008. 11.30 REV.8L
6040	CAB ASSY(3/6)		2008. 7.31 REV.8G
6050	CAB ASSY(4/6, DOOR)		2008. 11.30 REV.8L
6060	CAB ASSY(5/6, SASH ASSY)		
6070	CAB ASSY(6/6, DOOR LATCH ASSY)		
6080	CAB INTERIOR 1		
6090	CAB INTERIOR 2		
6100	CONSOLE BOX 1(LH)		
6110	CONSOLE BOX 2(LH)		
6120	CONSOLE BOX(RH)		
6130	SEAT BASE ASSY		
6140	SEAT(SUSPENSION, HEATED, STD)		2008. 7.31 REV.8G
6141	SEAT(SUSPENSION, OPT)		
6142	SEAT(AIR SUSPENSION, OPT)		
6143	SEAT(AIR SUSPENSION, HEATED, OPT)		2008. 7.31 REV.8G
6150	STORAGE BOX COVER ASSY		
6160	BOTTOM PLATE MOUNTING		
6200	COWLING		
6210	SIDE COWL ASSY(LH)		2009. 3.31 REV.9C
6220	SIDE COVER ASSY(LH)		
6230	SIDE COWL ASSY(RH)		2009. 3.31 REV.9C
6240	ENGINE HOOD ASSY		
6260	UNDER COVER		2009. 7.22 REV.9G

6270	TOOL BOX MOUNTING		2010. 2.28 REV.10B
6280	TOOL BOX		
6290	GROMMET GROUP		
6300	UPPER FRAME & COUNTERWEIGHT		
6400	LOWER FRAME & COVER		2009. 7.22 REV.9G
6500	SWING RING GREASE LUB SYSTEM		2010. 7.31 REV.10G
6600	DOZER BLADE		
<b>7</b>	<b>ATTACHMENT</b>		
7010	BOOM MOUNTING(4.3M, STD)		2009. 3.31 REV.9C
7100	BOOM(4.3M, STD)		2008. 3.31 REV.8C
7200	ARM(2.26M, STD)		
7210	ARM(1.96M)		
7220	ARM(2.81M)		
7300	BUCKET CONTROL GROUP		2010. 3.31 REV.10C
7400	BUCKET(0.45M3 SAE HEAPED, STD)		2007.12.31 REV.7M
7410	BUCKET(0.30M3 SAE HEAPED)		2007.12.31 REV.7M
7420	BUCKET(0.40M3 SAE HEAPED)		2007.12.31 REV.7M
7430	BUCKET(0.50M3 SAE HEAPED)		2007.12.31 REV.7M
7440	BUCKET(0.59M3 SAE HEAPED)		2007.12.31 REV.7M
<b>8</b>	<b>OTHERS</b>		
8010	TOOLS		
8100	DECALS		2010. 5.31 REV.10E
<b>9</b>	<b>ENGINE BASE</b>		
9010	CYLINDER HEAD		
9020	VALVE MECHANISM		
9030	ROCKER COVER		
9040	CAMSHAFT		
9050	CRANKCASE		
9060	LIFTING EYE		
9070	MAIN BEARING		
9080	TIMING GEAR CASE 1		
9090	WATER PUMP		
9100	TIMING GEAR CASE 2		
9110	FLYWHEEL HOUSING		
9120	OIL PAN		
9130	PISTON		
9140	CONNECTING ROD		
9150	CRANKSHAFT		
9160	CRANK PULLEY		
9170	FLYWHEEL		
9180	TIMING GEAR		
9190	INLET SYSTEM		
9200	EXHAUST SYSTEM		
9210	MUFFLER		
9220	TURBOCHARGER		
9230	TURBOCHARGER PIPING		
9240	OIL STRAINER		
9250	OIL COOLER		
9260	OIL FILTER		
9270	BREATHER		
9280	WATER PUMP PULLEY		
9290	COOLING SYSTEM		
9300	SPACER		
9310	V BELT		
9320	FUEL SYSTEM		
9330	FUEL FILTER		
9340	INJECTION PUMP GENERAL		2010. 3.31 REV.10C
9350	STARTER(24V-5KW)		
9360	AIR HEATER & WIRE		
9370	ALTERNATOR(GENERAL)		
9380	ALTERNATOR(24V-50A)		
9390	ENGINE CONTROL		

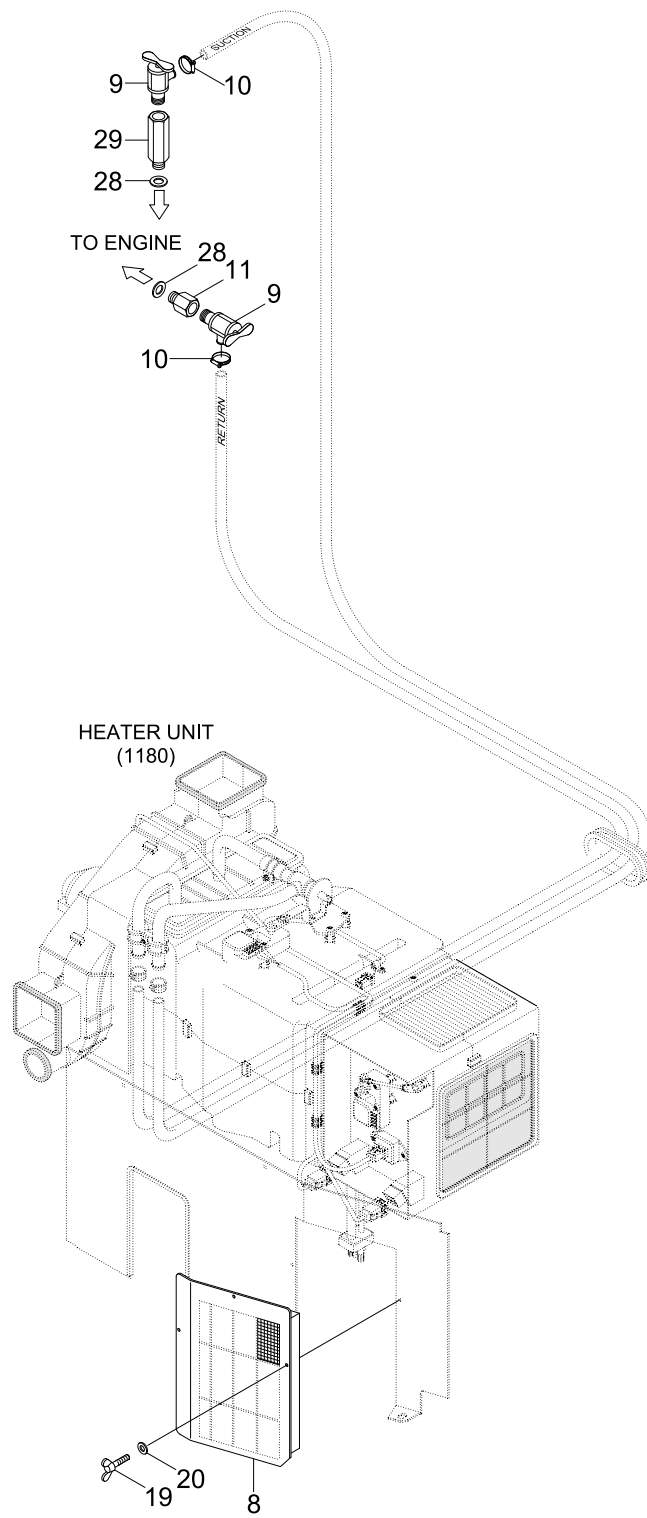
9400	INSTRUMENT(PART-1)		
9410	INSTRUMENT(PART-2)		

# AIR INTAKE SYSTEM



Item	Part_No	IS	Ord	T	Description	Qty	Serial_No	ITC	Remark
1	11N6-23061				PRECLEANER	1			
2	11N3-21110				HOSE	1			
3	11N5-23020				HOSE	1			
4	11N3-21100				PIPE WA-A/C HOSE	1			
5	11N6-20230				CLAMP-T-BOLT	1			
6	11LB-40310				CLAMP-HOSE	1			
7	11LB-40280				CLAMP-HOSE	2			
8	S035-082026				BOLT-W/WASHER	4			
9	11N4-25032				CLAMP	1			
10	S035-083526				BOLT-W/WASHER	1			

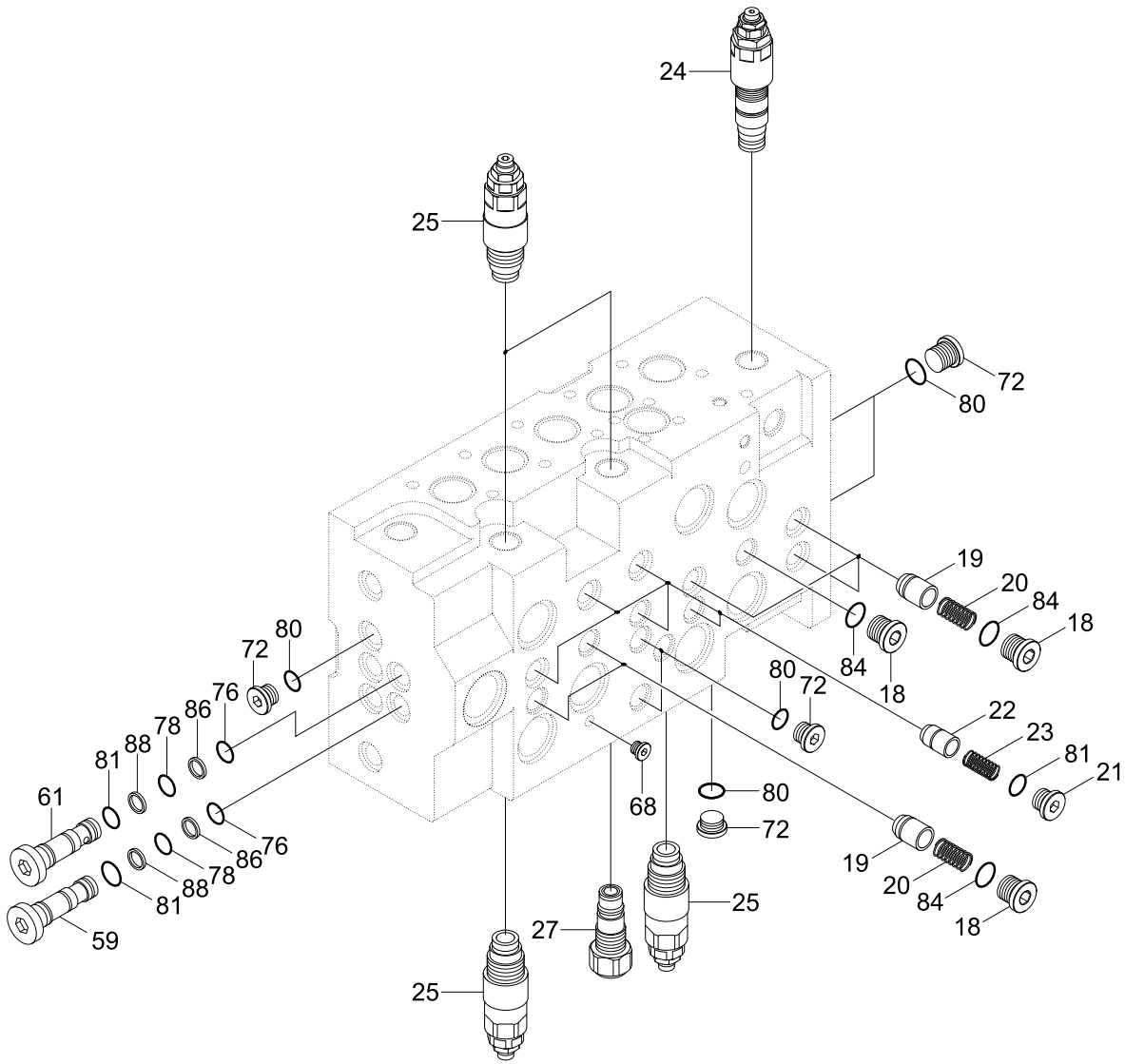
# HEATER MOUNTING-ENGINE





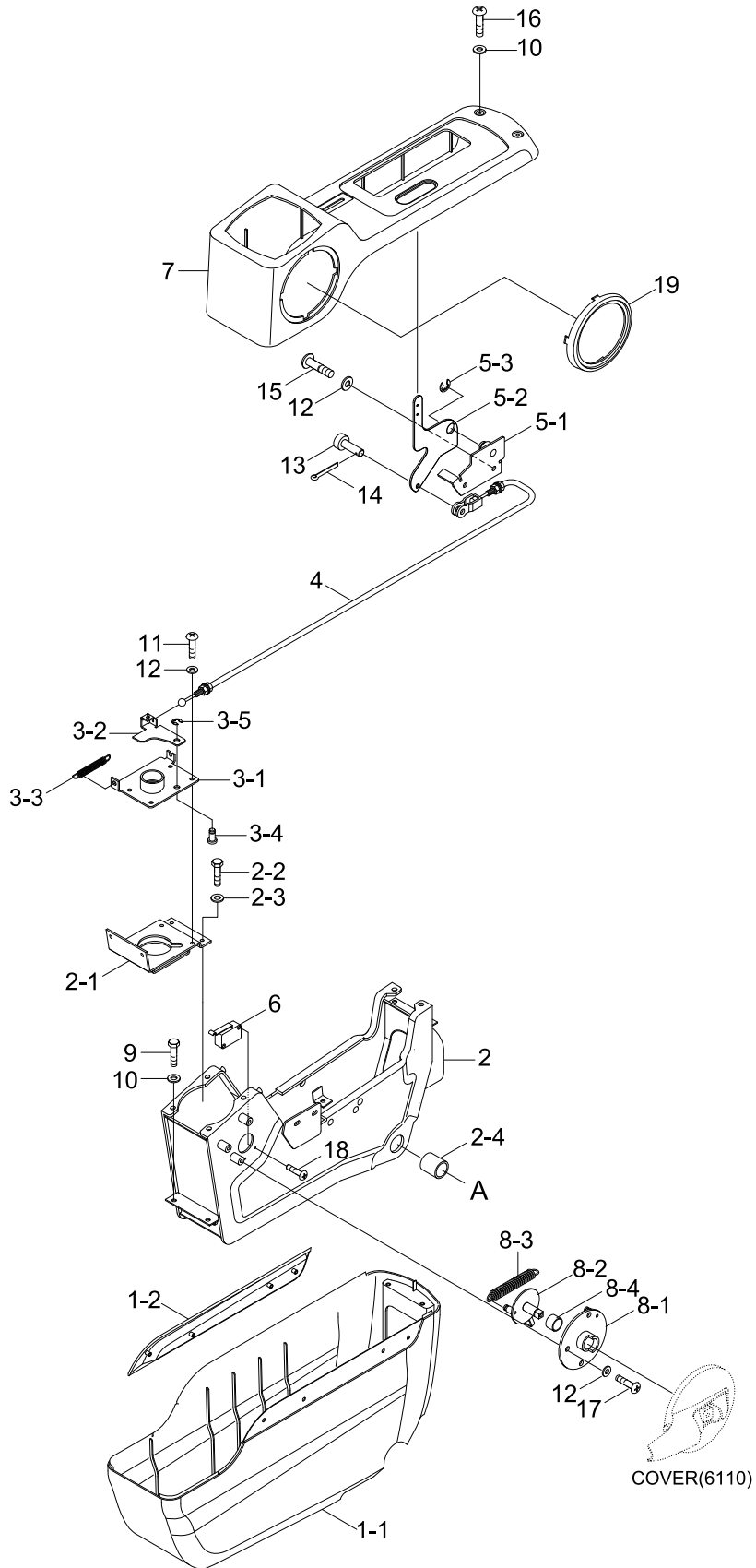
Item	Part_No	IS	Ord	T	Description	Qty	Serial_No	ITC	Remark
8	11N6-91340				FILTER-REC	1			
9	14L1-01350				VALVE-HEATER	2			
10	S572-270006				CLAMP-HOSE,WIRE TYPE	2			
11	11N5-93010				CONNECTOR-HEAT VLV	1			
19	S091-060156				BOLT-WING	3			
20	S403-06100B				WASHER-PLAIN	3			
28	P392-160000				WASHER-COPPER	2			
29	11N5-93021				CONNECTOR-HEAT VLV	1			

# MAIN CONTROL VALVE(2/4)



Item	Part_No	IS	Ord	T	Description	Qty	Serial_No	ITC	Remark
*	@				MAIN CONTROL VALVE	1			NOT
18	XKBF-00921				.PLUG	6			
19	XKBF-00889				.POPPET 1	5			
20	XKBF-00890				.SPRING	5			
21	XKBF-00934				.PLUG	5			
22	XKBF-00893				.POPPET 2	5			
23	XKBF-00894				.SPRING	5			
24	XKBF-00895				.RELIEF VALVE-MAIN	1			
25	XKBF-00486				.RELIEF VALVE-OVERLOAD	4			
27	XKBF-00897				.PLUG	1			
58	XKBF-00488				.PLUG	1			
59	XKBF-00923				.PLUG	1			
61	XKBF-00489				.PLUG-ORIFICE	1			
68	XKBF-00931				.PLUG	1			
72	XKBF-00933				.PLUG	4			
76	XKBF-00937				.O-RING	2			
78	XKBF-00615				.O-RING	2			
80	XKBF-00940				.O-RING	4			
81	XKBF-00941				.O-RING	5			
84	XKBF-00943				.O-RING	5			
86	XKBF-00961				.RING-BACK UP	2			
88	XKBF-00963				.RING-BACK UP	2			

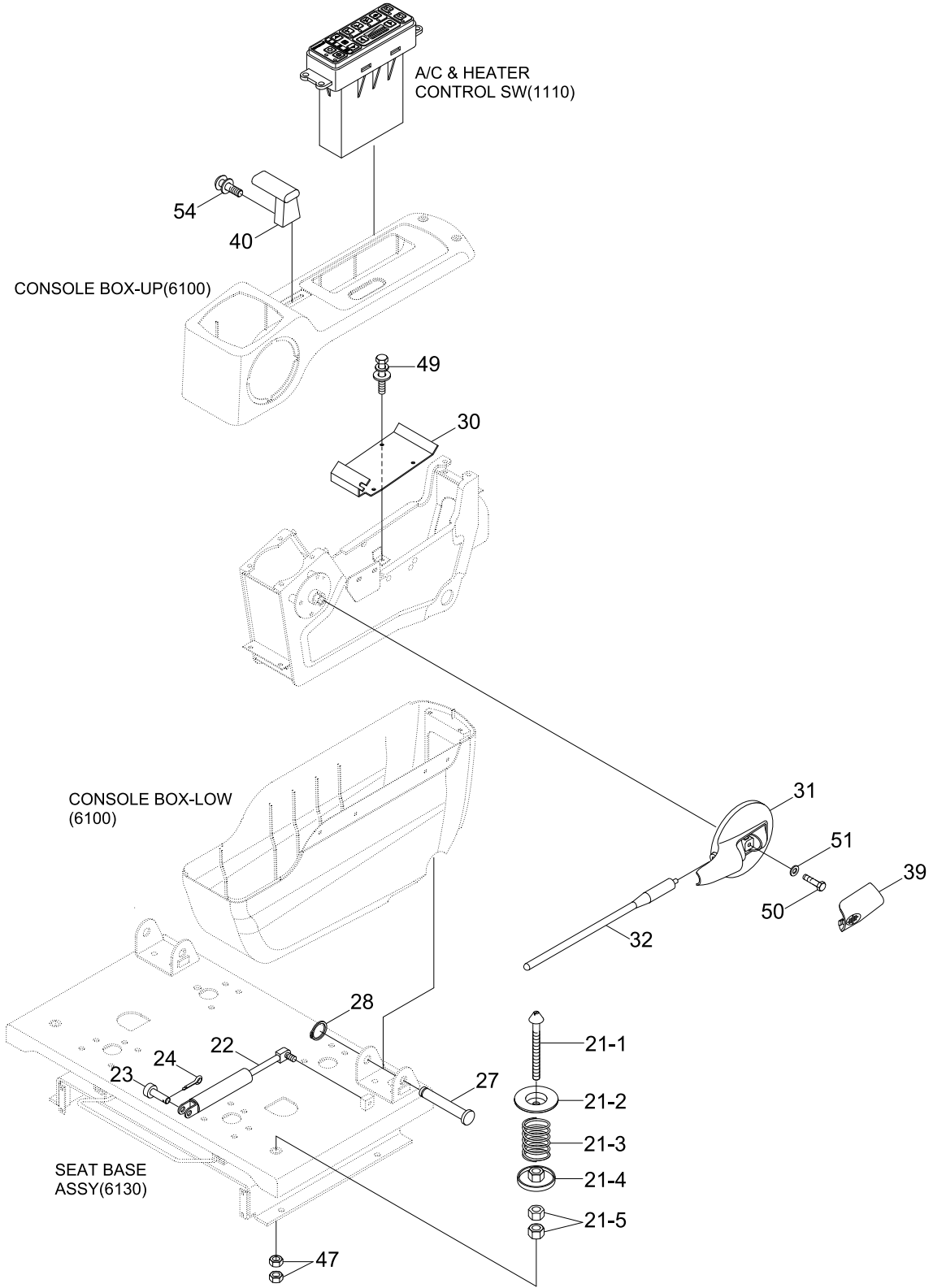
# CONSOLE BOX(1/2, LH)



Item	Part_No	IS	Ord	T	Description	Qty	Serial_No	ITC	Remark
*	73N6-21010				CONSOLE BOX ASSY(LH)	1			
1	73N6-21020				COVER-C/LOW ASSY	1			
1-1	73N6-20160				.CONSOLE BOX-LOW	1			
1-2	73N6-20230				.PANEL-CONSOLE DECO	1			
2	73N6-21030				FRAME-C/BOX(LH)	1			
2-1	71N4-21320				.PLATE-TILT	1			
2-2	S015-060146				.BOLT-HEX	4			
2-3	S403-06200B				.WASHER-PLAIN	4			
2-4	S731-020025				.BUSHING-DU	2			
3	71N4-20090				TILT CATCH ASSY	1			
3-1	71N4-21420				.TILT CATCH-LOW	1			
3-2	71N4-21450				.TILT CATCH-UP	1			
3-3	71N6-21460				.SPRING	1			
3-4	71N6-21470				.PIN	1			
3-5	P560-090002				.RETAINING RING-E TYPE	1			
4	71N6-20100				CABLE-PULL	1			
5	71N4-20120				TILT LEVER ASSY	1			
5-1	71N4-21480				.BRACKET-LOW	1			
5-2	71N6-21510				.BRACKET-UP	1			
5-3	P560-100006				.RETAINING RING-E TYPE	1			
6	21N8-20300				SWITCH-MICRO	1			
7	73N6-20140				CONSOLE BOX UP-LH	1			
8	71N6-20141				SAFETY BRACKET ASSY	1			
8-1	71N6-21521				.BRACKET-LOW	1			
8-2	71N6-21560				.BRACKET-UP	1			
8-3	71N6-21610				.SPRING	1			

Item	Part_No	IS	Ord	T	Description	Qty	Serial_No	ITC	Remark
8-4	S731-020010				.BUSHING-DU	1			
9	S015-050206				BOLT-HEX	4			
10	S403-05200B				WASHER-PLAIN	8			
11	S161-060136				SCREW-CROSS R/ROUND	4			
12	S403-06200B				WASHER-PLAIN	9			
13	S491-060156				PIN-CLEVIS	1			
14	S461-080202				PIN-SPLIT	1			
15	S161-060166				SCREW-CROSS ROUND	2			
16	S161-050166				SCREW-CROSS R/ROUND	4			
17	S175-060162				SCREW-SOCKET RD HD	3			
18	S161-030162				SCREW-CROSS R/ROUND	2			
19	73N6-20200				RING-SAFETY LEVER	1			

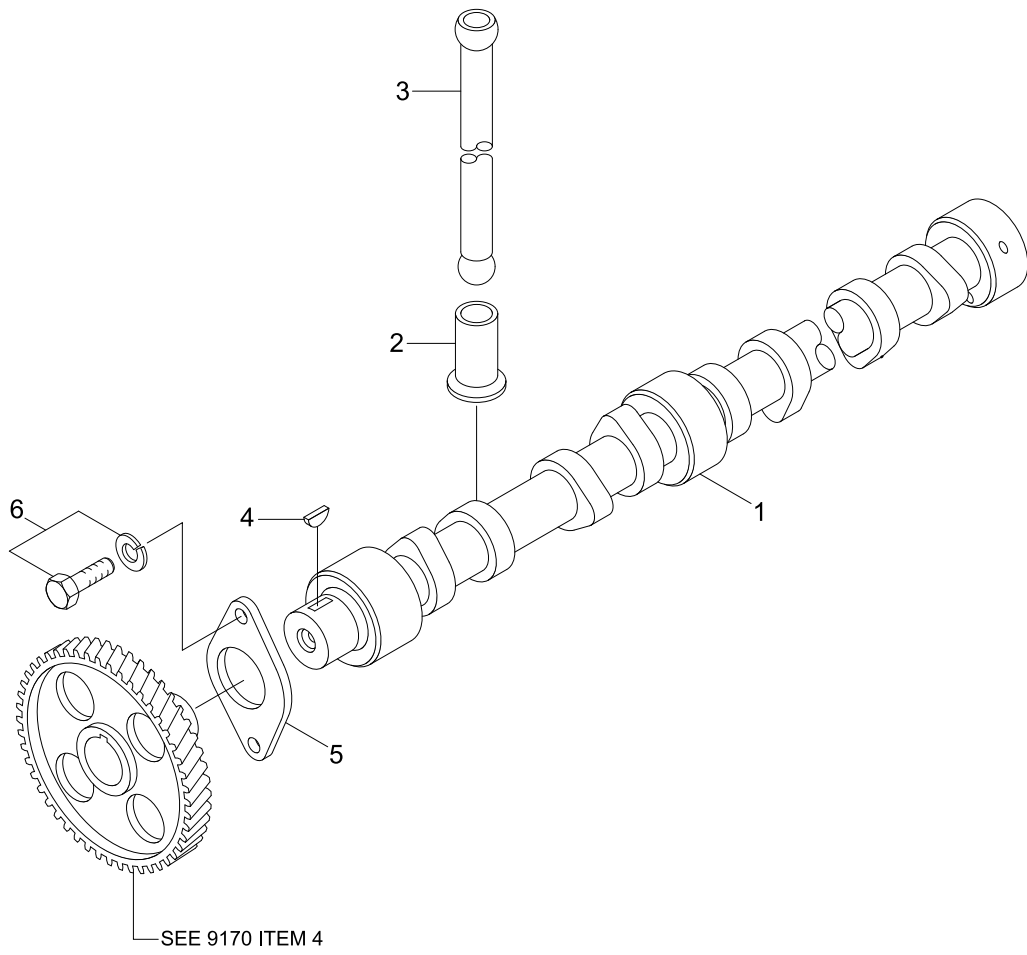
# CONSOLE BOX(2/2, LH)



Item	Part_No	IS	Ord	T	Description	Qty	Serial_No	ITC	Remark
21	71N6-20031				TILT LOCKER ASSY	1			
21-1	71N6-21151				.SHAFT	1			
21-2	71N6-21160				.PLATE	1			
21-3	71N6-21170				.SPRING	1			
21-4	71N6-21180				.PLATE WA	1			
21-5	S205-16100B				.NUT-HEX	2			
22	71N6-20040				GAS SPRING	1			
23	S491-080252				PIN-CLEVIS	1			
24	S461-160252				PIN-SPLIT	1			
27	71N6-20082				SHAFT	1			
28	S601-020004				RING-RETAINING	1			
30	71N6-20111				PLATE-CABLE	1			
31	73N6-20180				KNOB-SAFETY LEVER	1			
32	71N6-20161				ROD-SAFETY	1			
39	73N6-20190				CAP-SAFETY LEVER	1			
40	71N6-20351				KNOB-TILT	1			
47	S205-16100B				NUT-HEX	2			
49	S035-061526				BOLT-W/WASHER	3			
50	S015-060156				BOLT-HEX	4			
51	S403-06500B				WASHER-PLAIN	4			
54	S131-040826				SCREW-W/WASHER	2			

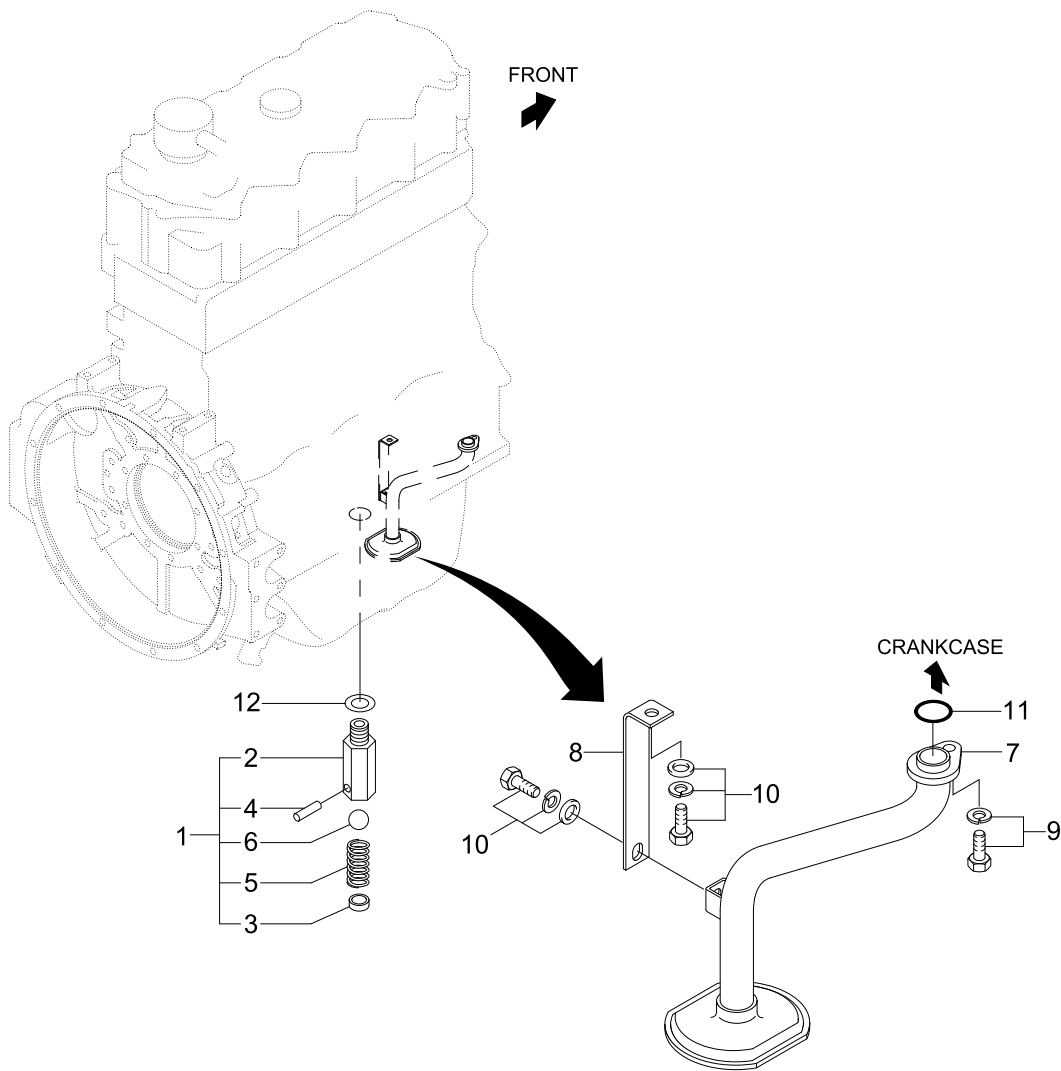


# CAMSHAFT



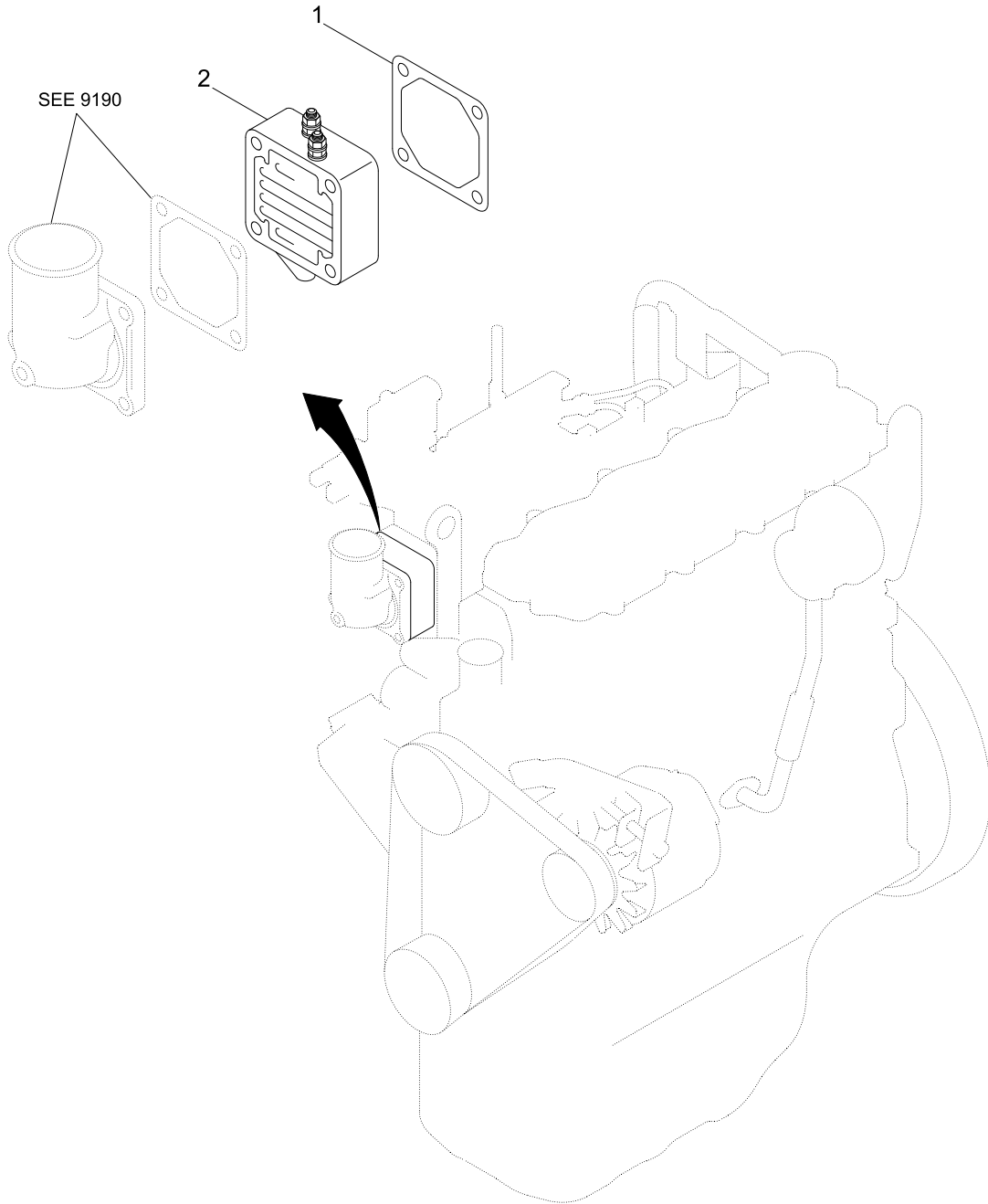
Item	Part_No	IS	Ord	T	Description	Qty	Serial_No	ITC	Remark
1	XJAF-02281				CAMSHAFT	1			
2	XJAF-02282				TAPPET	8			
3	XJAF-02283				ROD-PUSH	8			
4	XJAF-00183				KEY-WOODRUFF	1			
5	XJAF-00184				PLATE-THRUST	1			
6	XJAF-02358				BOLT-W/WASHER	2			

# OIL STRAINER



Item	Part_No	IS	Ord	T	Description	Qty	Serial_No	ITC	Remark
1	XJAF-02357				VALVE ASSY-SAFETY	1			
N2	@				.CASE-VALVE	1			NOT
N3	@				.SEAT-SPRING	1			NOT
N4	@				.PIN-SPRING	1			NOT
N5	@				.SPRING	1			NOT
N6	@				.BALL-STEEL	1			NOT
7	XJAF-00362				STRAINER-OIL	1			
8	XJAF-00363				STAY	1			
9	XJAF-02358				BOLT-W/WASHER	1			
10	XJAF-00365				BOLT-W/WASHER	2			
11	XJAF-00366				O-RING	1			
12	XJAF-00703				GASKET	1			
N	@				NOT INDIVIDUALLY SUPPLIED	AR			NOT

# AIR HEATER & WIRE



Item	Part_No	IS	Ord	T	Description	Qty	Serial_No	ITC	Remark
1	XJAF-00320				GASKET	1			
2	XJAF-00319				HEATER-AIR	1			