

KUBOTA

DIESEL ENGINE IDENTIFICATION

Technical Library – Parts Catalogs, Service and Operation Manuals

<http://engine.od.ua>

ENGINE SERIAL NUMBER IDENTIFICATION

ENGINES MANUFACTURED BEFORE JUNE 2012

IMPORTANT: Always obtain the serial number when possible. The serial number can help determine the engine model and also help determine the correct service parts and changes based on serial number breaks.

OLD FORMAT

4-6 numbers that are sequential with no breaks for production month or year

NEW FORMAT (starting 1997)

Alpha-numeric (e.g. XJ5050 or 4J5050) with breaks for production month and year

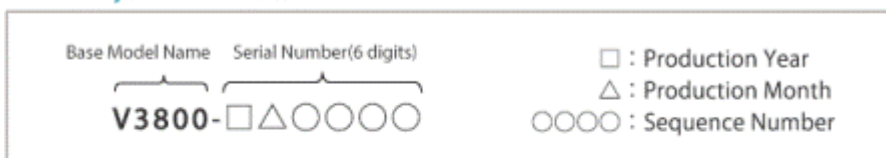
FIRST DIGIT = PRODUCTION YEAR												
1997	1998	1999	2000	2001	2002	2003	2004	2005	2006	2007	2008	2009
V	W	X	Y	1	2	3	4	5	6	7	8	9
2010	2011	2012	2013	2014	2015	2016	2017	2018	2019	2020	2021	2022
A	B	C	D	E	F	G	H	J	K	L	M	N
SECOND DIGIT = PRODUCTION MONTH												
Jan	Feb	Mar	Apr	May	Jun	Jul	Aug	Sep	Oct	Nov	Dec	
A	C	E	G	J	L	N	Q	S	U	W	Y	
B	D	F	H	K	M	P	R	T	V	X	Z	
* THE LETTERS "I" AND "O" ARE NOT USED IN SERIAL NUMBERS												

Engine Serial Number Rule (7 digits)

Starting June 1, 2012 the engine serial number will have 7 digits (currently 6 digits) and will be completely unique. This means that the engine serial numbers are mutually exclusive regardless of production plant.

e.g. Stamped Engine Serial Number

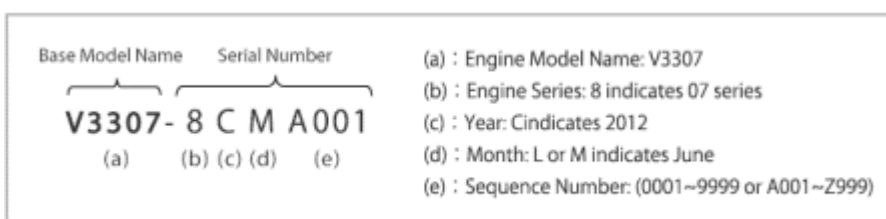
Before May 2012 Production



From June 2012 production



e.g. Standard Engine Serial Number



ENGINE SERIES:

Number	Series
1	05 Series (Including WG)
2	V3 Series
4	SM Series (Including WG)
5	Air Cooled Gasoline
6	GZ, OC, AC, E Series
7	03 Series
8	07 Series

YEAR OF PRODUCTION:

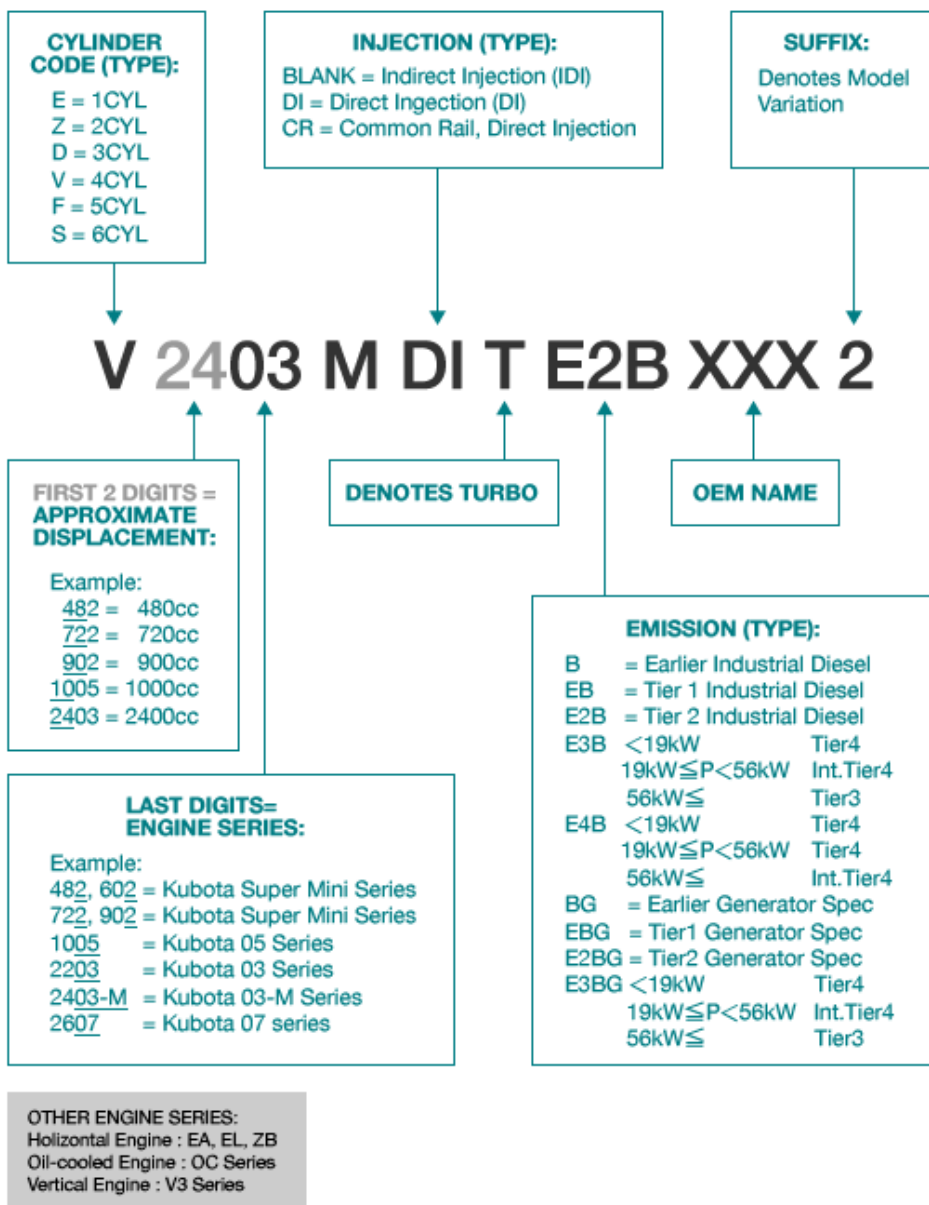
Alphabet or Number	Year
1	2001
2	2002
3	2003
4	2004
5	2005
6	2006
7	2007
8	2008
9	2009
A	2010
B	2011
C	2012
D	2013
E	2014
F	2015
G	2016

MONTH OF MANUFACTURE:

Month	Sequence number	
January	A0001-A9999	B0001-BZ999
February	C0001-C9999	D0001-DZ999
March	E0001-E9999	F0001-FZ999
April	G0001-G9999	H0001-HZ999
May	J0001-J9999	K0001-KZ999
June	L0001-L9999	M0001-MZ999
July	N0001-N9999	P0001-PZ999
August	Q0001-Q9999	R0001-RZ999
September	S0001-S9999	T0001-TZ999
October	U0001-U9999	V0001-VZ999
November	W0001-W9999	X0001-XZ999
December	Y0001-Y9999	Z0001-ZZ999

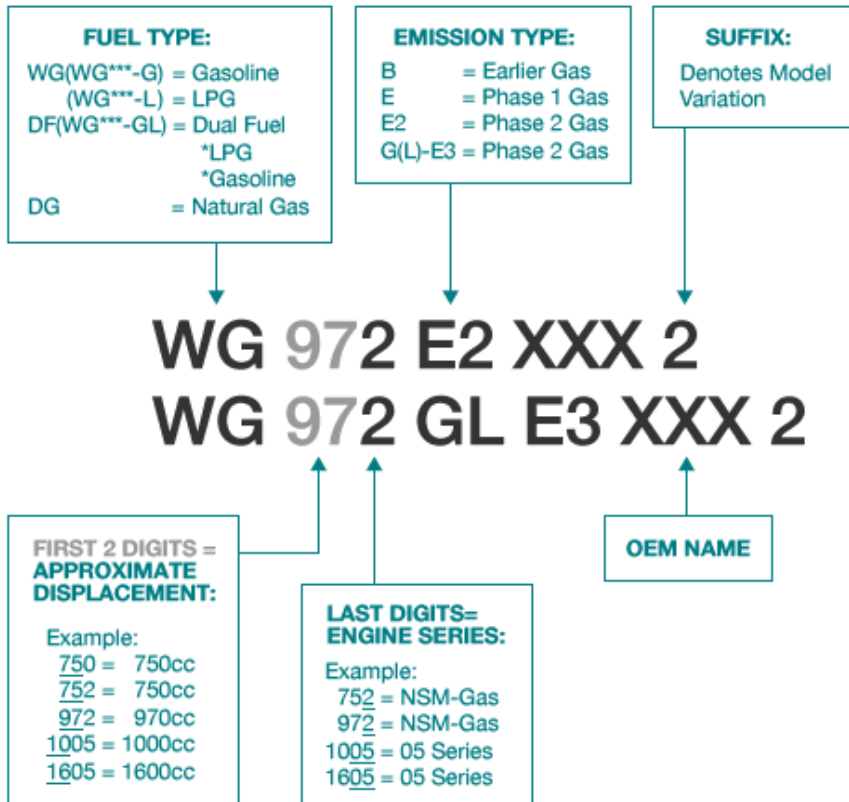
ENGINE MODEL NAME IDENTIFICATION

1. MODEL NAME (DIESEL ENGINE)



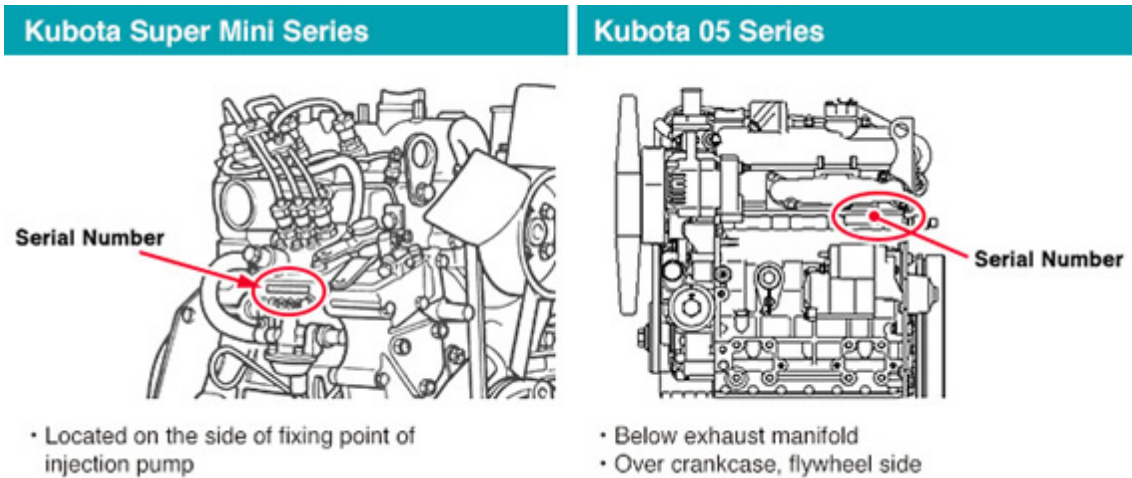
NOTE: The model name above is not printed or stamped anywhere on the engine. It can be found on the Illustrated Parts List (parts catalog).

2. MODEL NAME (SPARK IGNITED ENGINE)

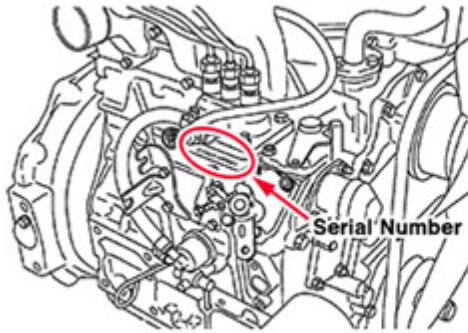


WHERE TO FIND THE ENGINE SERIAL NUMBER

The serial number is marked on the specified location per engine series as shown below.

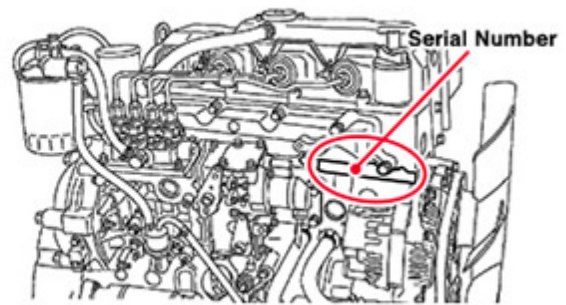


Kubota 03 Series



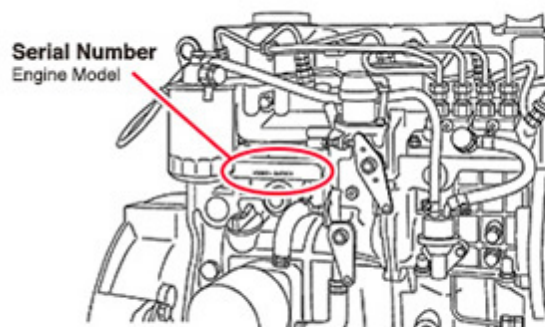
- Located on the mounting surface of injection pump

Kubota 07 Series



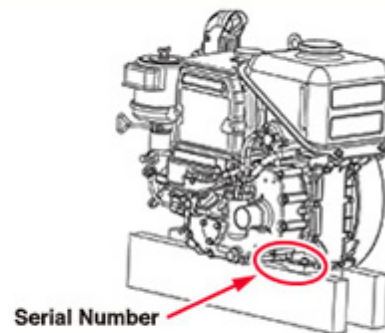
- Below intake manifold
- Over crankcase, fan side

Kubota V3 Series



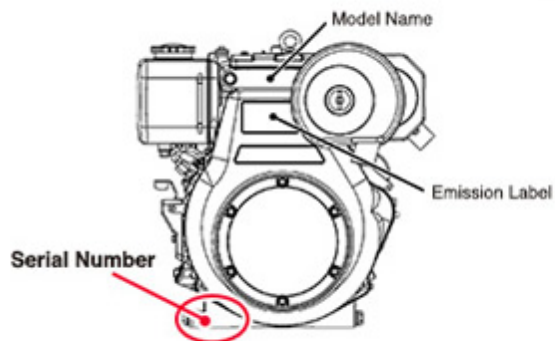
- Below intake manifold
- Over crankcase, flywheel side

Kubota EA/EL Series



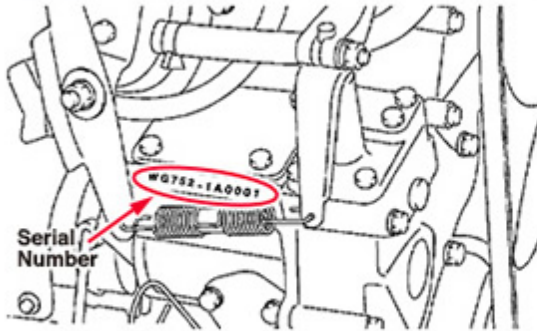
- Mounting surface at gear case side

Kubota OC Series



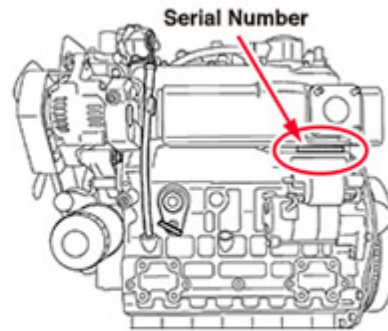
- Mounting surface at fan side

Kubota WG Series (WG752/WG972)



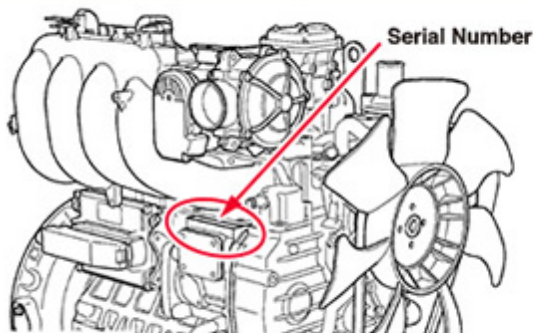
- Located on the side of fixing point of injection pump

Kubota WG Series (WG1605)



- Below exhaust manifold
- Over crankcase, flywheel side

Kubota WG Series (WG2503)




- Located on the mounting surface of injection pump

All Engines



- Over cylinder head of engine

IMPORTANT ENGINE INFORMATION 	
THIS ENGINE MEETS (model year Tier X) EMISSION REGULATIONS FOR U.S., EPA AND CALIFORNIA NONROAD ENGINES.	
Kubota KUBOTA Corporation	
MODEL : XXX-ESX	ENGINE DISP. : X X L
FAMILY : 7K8XLX	CLASS : XX
POWER : XX.X kW (XXX rpm)	
VALVE CLEARANCE (COLD): IN XXmm EX X.XXmm	
INJ. TIMING: XX.X DEG BTD	*CONSTANT SPEED ONLY
THIS ENGINE IS CERTIFIED TO OPERATE ON DIESEL FUEL.	
CONTACT KUBOTA FOR FUEL SETTING.	

Do not use the model information shown on EPA labels.