

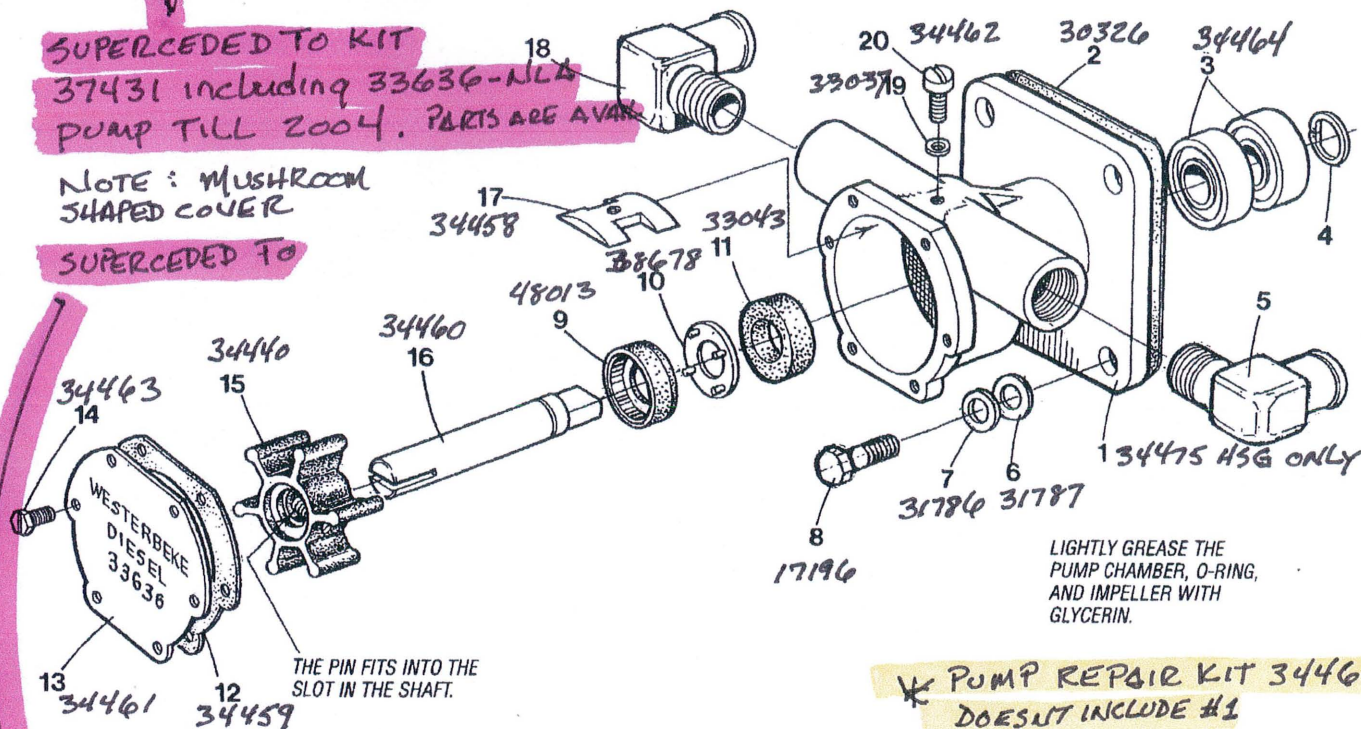
RAW WATER PUMP

THE ORIGINAL PUMP # 24143 UNTIL 1984. COVER HAD HOSE CONNECTIONS CAST IN

SUPERCEDED TO KIT 37431 including 33636-NLL PUMP TILL 2004. PARTS ARE AVAILABLE

NOTE: MUSHROOM SHAPED COVER

SUPERCEDED TO



RAW WATER PUMP

(from March 2004)

37431 w/48080 PUMP SINCE MARCH 2004

