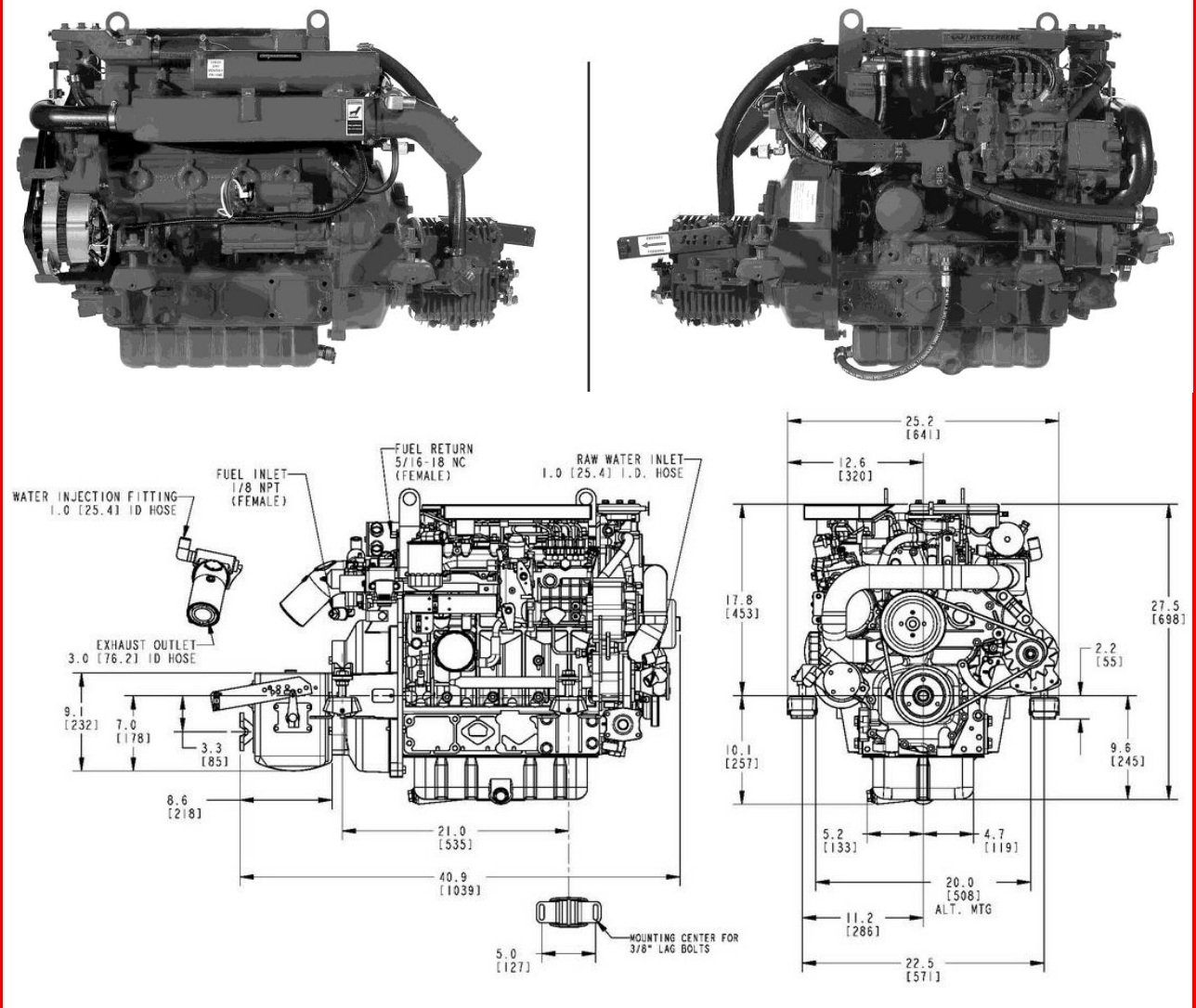




Specifications for current sales models



Specifications for Current Sales models

Model	Literature
Climate Control	
10,000 BTU	Advanced Specifications
17,000 BTU	Advanced Specifications
Diesel Generators	
5.0 BCD - 50 Hz	Advanced Specifications
5.0 BTD - 50 Hz	Advanced Specifications
5.5 BCD	Advanced Specifications
5.7 BTD - 50 Hz	Advanced Specifications
6.0 BTDA - 50 Hz	Advanced Specifications
6.5 BTD	Advanced Specifications
7.5 BTDA - 50 Hz	Advanced Specifications
8.0 BTDA	Advanced Specifications
8.8 BTDB - 50 Hz	Advanced Specifications
9.2 BTD - 50 Hz	Advanced Specifications
9.4 BTDB - 50 Hz	Advanced Specifications
10.0 BTDA	Advanced Specifications
11.0 BTDB	Advanced Specifications
12.0 BTDC - 50 Hz	Advanced Specifications
12.5 BTDB	Advanced Specifications
15.0 BTDC	Advanced Specifications
Electronic Diesel Generators	
5.0 EDT D-NET - 50 Hz	Advanced Specifications
5.7 EDT D-NET - 50 Hz	Advanced Specifications
6.0 EDT D-NET - 50 Hz	Advanced Specifications
6.5 EDT D-NET	Advanced Specifications
7.5 EDT D-NET - 50 Hz	Advanced Specifications
8.0 EDT D-NET	Advanced Specifications
8.8 EDT D-NET - 50 Hz	Advanced Specifications
9.2 EDT D-NET - 50 Hz	Advanced Specifications
9.4 EDT D-NET - 50 Hz	Advanced Specifications
10.0 EDT D-NET	Advanced Specifications
11.0 EDT D-NET	Advanced Specifications
12.0 EDT D-NET - 50 Hz	Advanced Specifications
12.5 EDT D-NET	Advanced Specifications
15.0 EDT D-NET	Advanced Specifications
17.0 EDE D-NET - 50 Hz	Advanced Specifications
22.0 EDE D-NET	Advanced Specifications
23.5 EDEA D-NET - 50 Hz	Advanced Specifications
26.0 EDEA D-NET - 50 Hz	Advanced Specifications
28.5 EDEA D-NET	Advanced Specifications
33.0 EDEA D-NET	Advanced Specifications
Gasoline Engines	
No Matching Records Found	
Industrial Generators	
5.0 BCDR - 50 Hz	Advanced Specifications
5.5 BCDR	Advanced Specifications

6.0 BTDAR - 50 Hz	Advanced Specifications
7.5 BTDAR - 50 Hz	Advanced Specifications
8.0 BTDAR	Advanced Specifications
8.9 BTDAR - 50 Hz	Advanced Specifications
9.4 BTDBR - 50 Hz	Advanced Specifications
10.0 BTDAR	Advanced Specifications
11.0 BTDAR	Advanced Specifications
11.0 BTDCR - 50 Hz	Advanced Specifications
12.5 BTDBR	Advanced Specifications
14.0 BTDCR	Advanced Specifications
17.0 EDER - 50 Hz	Advanced Specifications
20.0 EDER	Advanced Specifications
21.0 EDEAR - 50 Hz	Advanced Specifications
26.0 EDEAR	Advanced Specifications
Low-CO EFI Gasoline Generators	
3.5 SBCG - 50 Hz low-CO	Advanced Specifications
3.5 SBCG - 60 Hz low-CO	Advanced Specifications
4.2 MCG low-CO - 50 Hz	Advanced Specifications
5.0 MCG low-CO	Advanced Specifications
5.2 MCG low-CO - 50 Hz	Advanced Specifications
6.4 SBEG low-CO - 50 Hz	Advanced Specifications
6.5 MCG low-CO	Advanced Specifications
8.0 SBEG - 50 Hz low-CO	Advanced Specifications
8.0 SBEG - 60 Hz low-CO	Advanced Specifications
10.0 SBEG - 50 Hz low-CO	Advanced Specifications
10.0 SBEG - 60 Hz low-CO	Advanced Specifications
11.6 SBEG low-CO - 50 Hz	Advanced Specifications
12.5 SBEG low-CO	Advanced Specifications
14.0 SBEG low-CO	Advanced Specifications
16.0 SBEGA low-CO - 50 Hz	Advanced Specifications
18.0 SBEGA low-CO - 50 Hz	Advanced Specifications
20.0 SBEGA low-CO	Advanced Specifications
22.5 SBEGA low-CO	Advanced Specifications
Universal Engines	
M3-20B	Advanced Specifications
M-25XPB	Advanced Specifications
Westerbeke Engines	
12D Two	Advanced Specifications
30C Three	Advanced Specifications
35E Three	Advanced Specifications
44C Four	Advanced Specifications
55D Four	Advanced Specifications
65B Four	Advanced Specifications



Technical Library

<http://engine.od.ua>

