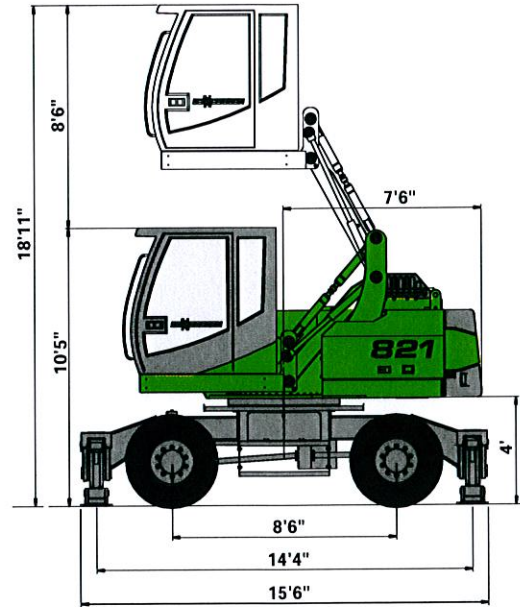
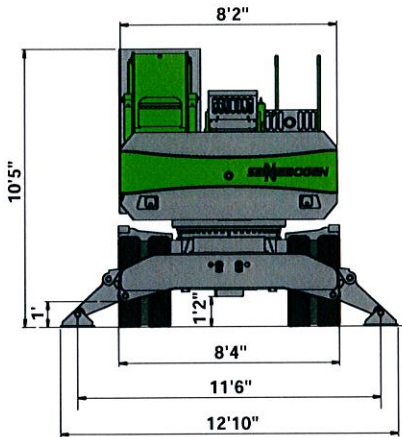
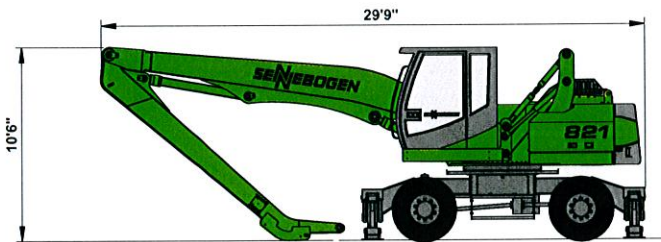


Machine Specifications

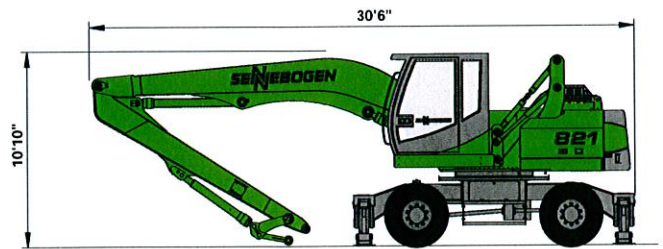


- 821 M with 8'6" hydraulic elevating Cab Type C 270
- 821 M available with optional hi-rise cab - height 3'3", 4'11" and 6'7". Hydraulic tilting mechanism is standard on all hi-rise cabs

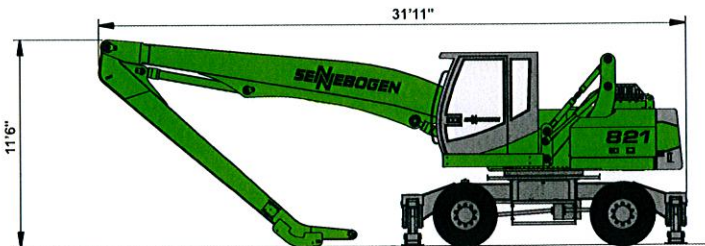
Shipping Specifications



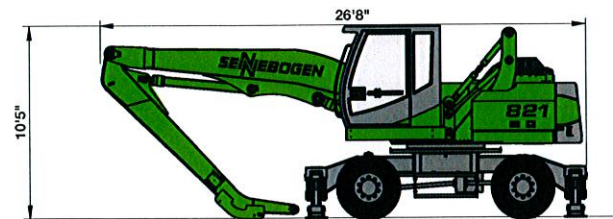
821 M with Boom 21' and Stick 15'9"



821 M with banana Boom 21' and special Stick 13'9" with reversing mechanism



821 M with Boom 23'4" and Stick 16'9"



821 M with Boom 17'9" and Stick 13'1"

Depending upon tolerances, measurements may vary.